



# LaserJet Pro M402, M403

## User Guide



M402n  
M402dn  
M402dne  
M402dw  
M403n  
M403d  
M403dn  
M403dw



[www.hp.com/support/ljM402](http://www.hp.com/support/ljM402)  
[www.hp.com/support/ljM403](http://www.hp.com/support/ljM403)





HP LaserJet Pro M402, M403

User Guide

## Copyright and License

© Copyright 2017 HP Development Company, L.P.

Reproduction, adaptation, or translation without prior written permission is prohibited, except as allowed under the copyright laws.

The information contained herein is subject to change without notice.

The only warranties for HP products and services are set forth in the express warranty statements accompanying such products and services. Nothing herein should be construed as constituting an additional warranty. HP shall not be liable for technical or editorial errors or omissions contained herein.

Edition 5, 1/2021

## Trademark Credits

Adobe®, Adobe Photoshop®, Acrobat®, and PostScript® are trademarks of Adobe Systems Incorporated.

Apple and the Apple logo are trademarks of Apple Computer, Inc., registered in the U.S. and other countries. iPod is a trademark of Apple Computer, Inc. iPod is for legal or rightholder-authorized copying only. Don't steal music.

Microsoft®, Windows®, Windows® XP, and Windows Vista® are U.S. registered trademarks of Microsoft Corporation.

UNIX® is a registered trademark of The Open Group.

---

# Table of contents

<b>1 Printer overview</b>	<b>1</b>
Printer views	2
Printer front view	2
Printer back view	3
Control panel view	4
Printer specifications	6
Technical specifications	6
Supported operating systems	6
Mobile printing solutions	8
Printer dimensions	9
Power consumption, electrical specifications, and acoustic emissions	11
Operating environmental range	11
Printer hardware setup and software installation	12
<b>2 Paper trays</b>	<b>13</b>
Load Tray 1	14
Introduction	14
Tray 1 paper orientation	17
Load Tray 2	18
Introduction	18
Tray 2 paper orientation	20
Load Tray 3	21
Introduction	21
Tray 3 paper orientation	23
Load and print envelopes	24
Introduction	24
Print envelopes	24
Envelope orientation	24
<b>3 Supplies, accessories, and parts</b>	<b>25</b>
Order supplies, accessories, and parts	26

Ordering .....	26
Supplies and accessories .....	26
Customer self-repair parts .....	26
Replace the toner cartridge .....	28
Introduction .....	28
Toner-cartridge information .....	28
Remove and replace the toner cartridge .....	29
<b>4 Print .....</b>	<b>33</b>
Print tasks (Windows) .....	34
How to print (Windows) .....	34
Automatically print on both sides (Windows) .....	35
Manually print on both sides (Windows) .....	36
Print multiple pages per sheet (Windows) .....	36
Select the paper type (Windows) .....	36
Additional print tasks .....	38
Print tasks (OS X) .....	39
How to print (OS X) .....	39
Automatically print on both sides (OS X) .....	39
Manually print on both sides (OS X) .....	39
Print multiple pages per sheet (OS X) .....	40
Select the paper type (OS X) .....	40
Additional print tasks .....	41
Store print jobs on the product to print later or print privately .....	42
Introduction .....	42
Before you begin .....	42
Set up the printer for job storage .....	42
Step one: Install the USB flash drive .....	42
Step two: Update the print driver .....	43
Create a stored job (Windows) .....	43
Print a stored job .....	44
Delete a stored job .....	45
Mobile printing .....	46
Introduction .....	46
Wi-Fi Direct and NFC Printing (wireless models only) .....	46
HP ePrint via email .....	47
HP ePrint software .....	48
AirPrint .....	48
Android embedded printing .....	49

<b>5 Manage the printer .....</b>	<b>51</b>
Change the printer connection type (Windows) .....	52
Advanced configuration with HP Embedded Web Server (EWS) and HP Device Toolbox (Windows) .....	53
Advanced configuration with HP Utility for OS X .....	56
Open HP Utility .....	56
HP Utility features .....	56
Configure IP network settings .....	58
Introduction .....	58
Printer sharing disclaimer .....	58
View or change network settings .....	58
Rename the printer on a network .....	58
Manually configure IPv4 TCP/IP parameters from the control panel .....	59
Link speed and duplex settings .....	59
Printer security features .....	61
Introduction .....	61
Assign or change the system password using the HP Embedded Web Server .....	61
Lock the formatter .....	61
Energy-conservation settings .....	62
Introduction .....	62
Print with EconoMode .....	62
Set the Sleep/Auto Off After setting .....	62
Set the Shut Down After delay and configure the printer to use 1 watt or less of power .....	62
Set the Delay Shut Down setting .....	63
HP Web Jetadmin .....	64
Update the firmware .....	65
Method one: Update the firmware using the control panel .....	65
Method two: Update the firmware using the Firmware Update Utility .....	65
<b>6 Solve problems .....</b>	<b>67</b>
Customer support .....	68
Restore the factory-set defaults .....	69
A “Cartridge is low” or “Cartridge is very low” message displays on the printer control panel .....	70
Change the “Very Low” settings .....	70
Order supplies .....	70
Printer does not pick up paper or misfeeds .....	72
Introduction .....	72
The printer does not pick up paper .....	72
The printer picks up multiple sheets of paper .....	74
Clear paper jams .....	78
Introduction .....	78
Experiencing frequent or recurring paper jams? .....	78

Jam locations .....	79
Clear paper jams in Tray 1 .....	80
Clear paper jams in Tray 2 .....	81
Clear paper jams in Tray 3 .....	85
Clear paper jams in the fuser .....	88
Clear paper jams in the output bin .....	92
Clear paper jams in the duplexer .....	94
Improve print quality .....	96
Introduction .....	96
Print from a different software program .....	96
Check the paper-type setting for the print job .....	96
Check the paper type setting (Windows) .....	96
Check the paper type setting (OS X) .....	96
Check the toner-cartridge status .....	97
Clean the printer .....	98
Print a cleaning page .....	98
Visually inspect the toner cartridge .....	98
Check paper and the printing environment .....	98
Step one: Use paper that meets HP specifications .....	98
Step two: Check the environment .....	99
Step three: Set the individual tray alignment .....	99
Check the EconoMode settings .....	100
Try a different print driver .....	100
Solve wired network problems .....	102
Introduction .....	102
Poor physical connection .....	102
The computer is using the incorrect IP address for the printer .....	102
The computer is unable to communicate with the printer .....	102
The printer is using incorrect link and duplex settings for the network .....	103
New software programs might be causing compatibility problems .....	103
The computer or workstation might be set up incorrectly .....	103
The printer is disabled, or other network settings are incorrect .....	103
Solve wireless network problems (wireless models only) .....	104
Introduction .....	104
Wireless connectivity checklist .....	104
The printer does not print after the wireless configuration completes .....	105
The printer does not print, and the computer has a third-party firewall installed .....	105
The wireless connection does not work after moving the wireless router or printer .....	105
Cannot connect more computers to the wireless printer .....	105
The wireless printer loses communication when connected to a VPN .....	106
The network does not appear in the wireless networks list .....	106



The wireless network is not functioning ..... 106  
Perform a wireless network diagnostic test ..... 106  
Reduce interference on a wireless network ..... 107

Index ..... 109



---

# 1 Printer overview

- [Printer views](#)
- [Printer specifications](#)
- [Printer hardware setup and software installation](#)

## For more information:

The following information is correct at the time of publication. For current information, see [www.hp.com/support/ljM402](http://www.hp.com/support/ljM402), [www.hp.com/support/ljM403](http://www.hp.com/support/ljM403).

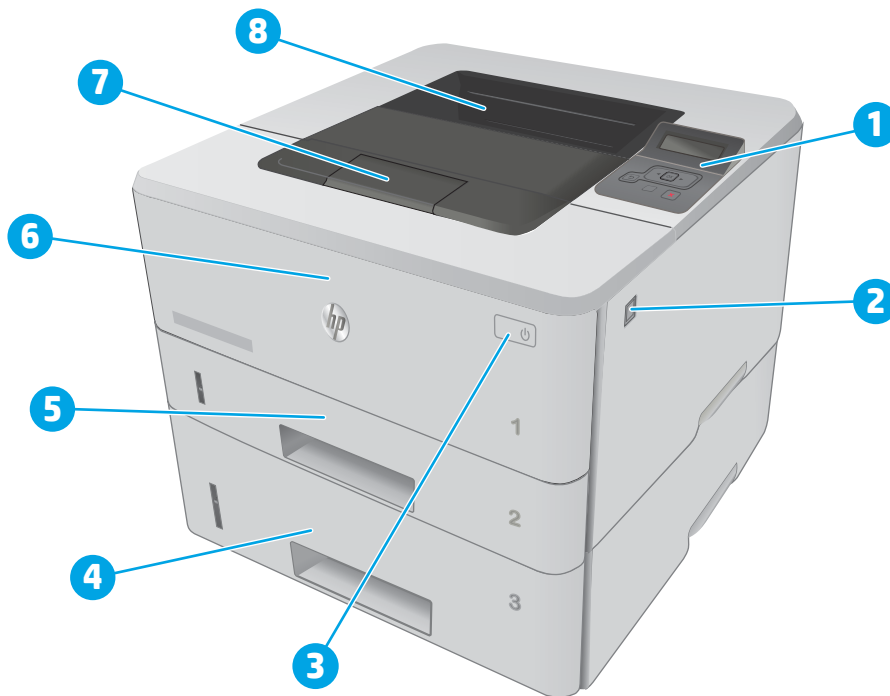
HP's all-inclusive help for the printer includes the following information:

- Install and configure
- Learn and use
- Solve problems
- Download software and firmware updates
- Join support forums
- Find warranty and regulatory information

## Printer views

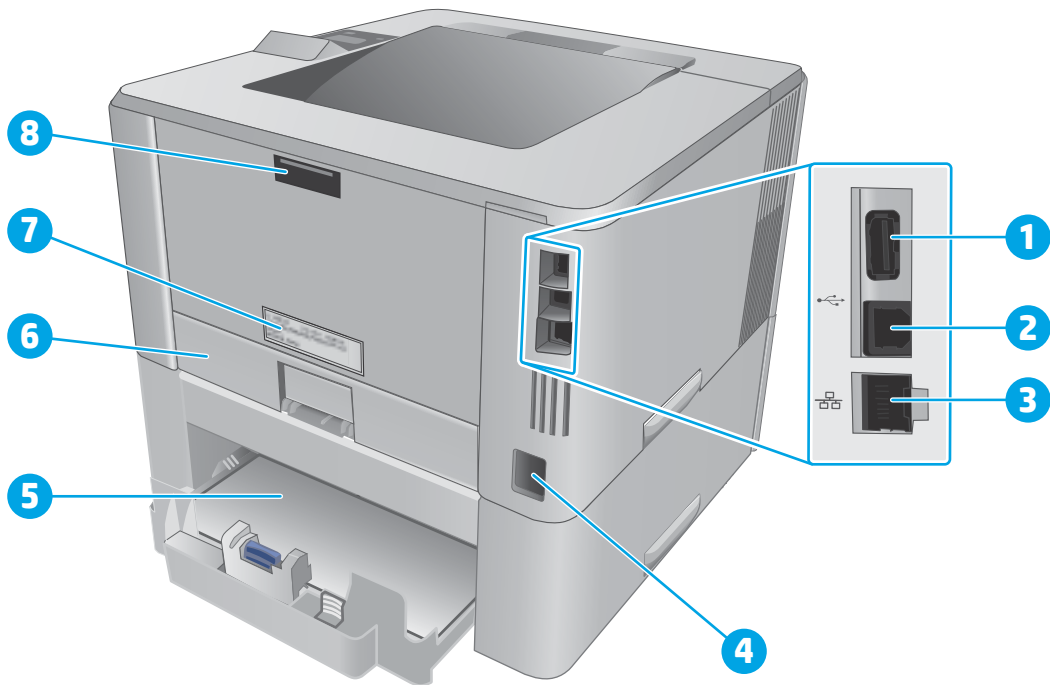
- [Printer front view](#)
- [Printer back view](#)
- [Control panel view](#)

### Printer front view



1	2-line backlit control panel
2	Front-door-release button (access to the toner cartridge)
3	Power on/off button
4	Tray 3 (optional)
5	Tray 2
6	Tray 1
7	Output bin extension
8	Output bin

## Printer back view



---

1 USB port (for job storage and private printing)

**NOTE:** This port might be covered

---

2 USB interface port

---

3 Ethernet port (network models only)

---

4 Power connection

---

5 Tray 3 (optional)

**NOTE:** Tray 3 extends when legal-size or A4-size paper is loaded

---

6 Dust cover for Tray 2

**NOTE:** Dust cover flips up when legal-size or A4-size paper is loaded

---

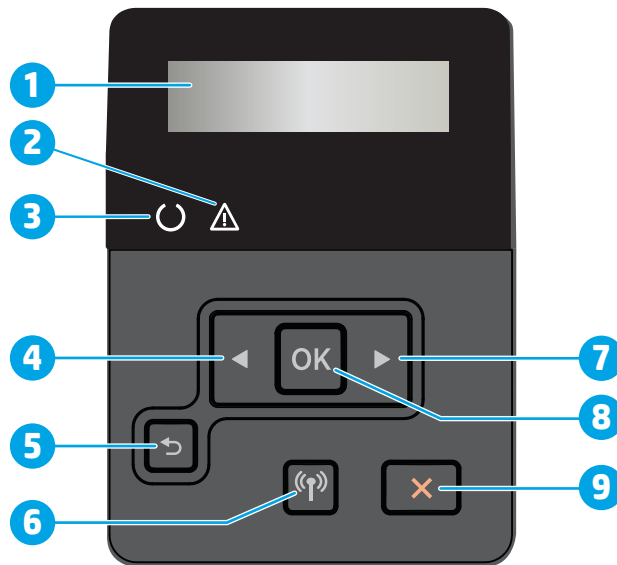
7 Serial number and printer number label

---

8 Rear door (access for clearing jams)


---

## Control panel view




1	Control panel display	This screen displays menus and printer information.
2	Attention light (amber)	This light blinks when the printer requires user attention.
3	Ready light (green)	This light is on when the printer is ready to print. It blinks when the printer is receiving print data, or when the printer is in sleep mode.
4	Left arrow ◀ button	Use this button to navigate through the menus or to decrease a value that appears on the display.
5	Back arrow ↶ button	Use this button for the following actions: <ul style="list-style-type: none"> <li>• Exit the control-panel menus.</li> <li>• Scroll back to a previous menu in a submenu list.</li> <li>• Scroll back to a previous menu item in a submenu list (without saving changes to the menu item).</li> </ul>
6	Wireless ((P)) button (wireless models only)	Use this button to access the wireless menu.
7	Right arrow ▶ button	Use this button to navigate through the menus or to increase a value that appears on the display.

---

8	OK button	<p data-bbox="687 174 1075 197">Press the <b>OK</b> button for the following actions:</p> <ul data-bbox="687 226 1412 478" style="list-style-type: none"><li data-bbox="687 226 1002 249">• Open the control-panel menus.</li><li data-bbox="687 279 1214 302">• Open a submenu displayed on the control-panel display.</li><li data-bbox="687 331 906 354">• Select a menu item.</li><li data-bbox="687 384 895 407">• Clear some errors.</li><li data-bbox="687 436 1412 478">• Begin a print job in response to a control-panel prompt (for example, when the message <b>Press [OK] to continue</b> appears on the control-panel display).</li></ul>
9	Cancel  button	<p data-bbox="687 506 1305 529">Press this button to cancel a print job or to exit the control panel menus.</p>

---

## Printer specifications

 **IMPORTANT:** The following specifications are correct at the time of publication, but they are subject to change. For current information, see [www.hp.com/support/ljM402](http://www.hp.com/support/ljM402), [www.hp.com/support/ljM403](http://www.hp.com/support/ljM403).

- [Technical specifications](#)
- [Supported operating systems](#)
- [Mobile printing solutions](#)
- [Printer dimensions](#)
- [Power consumption, electrical specifications, and acoustic emissions](#)
- [Operating environmental range](#)

### Technical specifications

<b>Model name</b>		<b>M402n</b>	<b>M402dn</b>	<b>M402dw</b>	<b>M402d</b>
<b>Product number</b>		C5F93A	C5F94A/G3V21A	C5F95A	C5F92A
<b>Model name</b>		<b>M403n</b>	<b>M403dn</b>	<b>M403dw</b>	<b>M403d</b>
<b>Product number</b>		F6J41A	F6J43A	F6J44A	F6J42A
<b>Paper handling</b>	Tray 1 (100-sheet capacity)	✓	✓	✓	✓
	Tray 2 (250-sheet capacity)	✓	✓	✓	✓
	Tray 3 (550-sheet capacity)	Optional	Optional	Optional	Optional
	Automatic duplex printing	Not available	✓	✓	✓
<b>Connectivity</b>	10/100/1000 Ethernet LAN connection with IPv4 and IPv6	✓	✓	✓	Not available
	Hi-Speed USB 2.0	✓	✓	✓	✓
	Print server for wireless network connectivity	Not available	Not available	✓	Not available
	HP near field communication (NFC) and Wi-Fi Direct for printing from mobile devices	Not available	Not available	✓	Not available
<b>Control-panel display and input</b>	2-line backlit control panel	✓	✓	✓	✓
<b>Print</b>	Prints 38 pages per minute (ppm) on A4 and 40 ppm on letter-size paper	✓	✓	✓	✓
	Job storage and private printing	✓	✓	✓	Not available

### Supported operating systems

The following information applies to the printer-specific Windows PCL 6 and OS X print drivers and to the in-box software installation CD.




**Windows:** The HP Software Installer CD installs the HP PCL.6, HP PCL 6, or HP PCL-6 driver depending on the Windows operating system along with optional software when using the full software installer.


**Mac computers and OS X:** Mac computers and Apple mobile devices are supported with this printer. The OS X print driver and print utility are available for download from hp.com and may also be available via Apple Software Update. The HP installer software for OS X is not included in the in-box CD. Follow these steps to download the OS X installer software:

1. Go to [www.hp.com/support/ljM402](http://www.hp.com/support/ljM402), [www.hp.com/support/ljM403](http://www.hp.com/support/ljM403).
2. Select **Support Options**, under **Download Options** select **Drivers, Software & Firmware**, and then select the printer bundle.
3. Click the operating system version, and then click the **Download** button.

Operating system	Driver installed	Notes
Windows® XP SP2 or later, 32-bit	The HP PCL.6 printer-specific print driver is installed for this operating system as part of the basic software installation. The basic installer installs the driver only.	The full software installation is not supported for this operating system.  Use UPD drivers for 64-bit operating systems.  Microsoft retired mainstream support for Windows XP in April 2009. HP will continue to provide best effort support for the discontinued XP operating system.
Windows Vista®, 32-bit	The HP PCL.6 printer-specific print driver is installed for this operating system as part of the basic software installation. The basic installer installs the driver only.	The full software installation is not supported for this operating system.
Windows Server 2003 SP1 or later, 32-bit	The HP PCL.6 printer-specific print driver is installed for this operating system as part of the basic software installation. The basic installer installs the driver only.	The full software installation is not supported for this operating system.  Use UPD drivers for 64-bit operating systems.  Microsoft retired mainstream support for Windows Server 2003 in July 2010. HP will continue to provide best-effort support for the discontinued Server 2003 operating system.
Windows 7, 32-bit and 64-bit	The HP PCL 6 printer-specific print driver is installed for this operating system as part of the full software installation.	The HP PCL 6 driver is configured to use the automatic two-sided printing (duplexing) feature as the default when installed in certain countries/regions.
Windows 8, 32-bit and 64-bit	The HP PCL-6 printer-specific print driver is installed for this operating system as part of the full software installation.	Windows 8 RT support is provided through Microsoft IN OS Version 4, 32-bit driver.  The HP PCL-6 driver is configured to use the automatic two-sided printing (duplexing) feature as the default when installed in certain countries/regions.

Operating system	Driver installed	Notes
Windows 8.1, 32-bit and 64-bit	The HP PCL-6 printer-specific print driver is installed for this operating system as part of the full software installation.	Windows 8.1 RT support is provided through Microsoft IN OS Version 4, 32-bit driver.  The HP PCL-6 driver is configured to use the automatic two-sided printing (duplexing) feature as the default when installed in certain countries/regions.
Windows 10, 32-bit and 64-bit	The HP PCL-6 printer-specific print driver is installed for this operating system as part of the full software installation.	The HP PCL-6 driver is configured to use the automatic two-sided printing (duplexing) feature as the default when installed in certain countries/regions.
Windows Server 2008 SP2, 32-bit	The HP PCL.6 printer-specific print driver is installed for this operating system as part of the basic software installation.	
Windows Server 2008 SP2, 64-bit	The HP PCL 6 printer-specific print driver is installed for this operating system as part of the basic software installation.	The HP PCL 6 driver is configured to use the automatic two-sided printing (duplexing) feature as the default when installed in certain countries/regions.
Windows Server 2008 R2, SP 1, 64-bit	The HP PCL 6 printer-specific print driver is installed for this operating system as part of the basic software installation.	The HP PCL 6 driver is configured to use the automatic two-sided printing (duplexing) feature as the default when installed in certain countries/regions.
OS X 10.8 Mountain Lion, OS X 10.9 Mavericks, and OS X 10.10 Yosemite	The OS X print driver and print utility are available for download from hp.com and may also be available via Apple Software Update. The HP installer software for OS X is not included in the in-box CD.	For OS X, download the full installer from the support Web site for this printer.  <ol style="list-style-type: none"> <li>1. Go to <a href="http://www.hp.com/support/ljM402">www.hp.com/support/ljM402</a>, <a href="http://www.hp.com/support/ljM403">www.hp.com/support/ljM403</a>.</li> <li>2. Select <b>Support Options</b>, and then under <b>Download Options</b> select <b>Drivers, Software &amp; Firmware</b>.</li> <li>3. Click the operating system version, and then click the <b>Download</b> button.</li> </ol> The OS X driver is configured to use the automatic two-sided printing (duplexing) feature as the default when installed in certain countries/regions.

 **NOTE:** For a current list of supported operating systems, go to [www.hp.com/support/ljM402](http://www.hp.com/support/ljM402), [www.hp.com/support/ljM403](http://www.hp.com/support/ljM403) for HP's all-inclusive help for the printer.

 **NOTE:** For details on client and server operating systems and for HP UPD PCL6, UPD PCL 5, and UPD PS driver support for this printer, go to [www.hp.com/go/upd](http://www.hp.com/go/upd) and click the **Specifications** tab.

## Mobile printing solutions

The printer supports the following software for mobile printing:

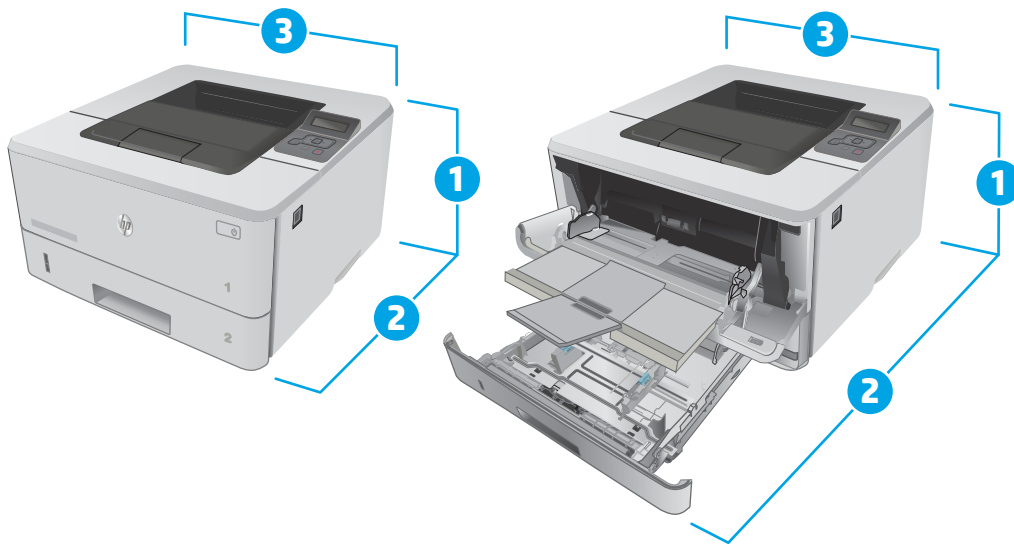
- HP ePrint software

**NOTE:** The HP ePrint Software supports the following operating systems: Windows 7 SP 1 (32-bit and 64-bit); Windows 8 (32-bit and 64-bit); Windows 8.1 (32-bit and 64-bit); and OS X versions 10.8 Mountain Lion, 10.9 Mavericks, and 10.10 Yosemite.

- HP ePrint via email (Requires HP Web Services to be enabled and the printer to be registered with HP Connected)
- HP ePrint app (Available for Android, iOS, and Blackberry)
- ePrint Enterprise app (Supported on all printers with ePrint Enterprise Server Software)
- HP All-in-One Remote app for iOS and Android devices
- Google Cloud Print
- AirPrint
- Android Printing

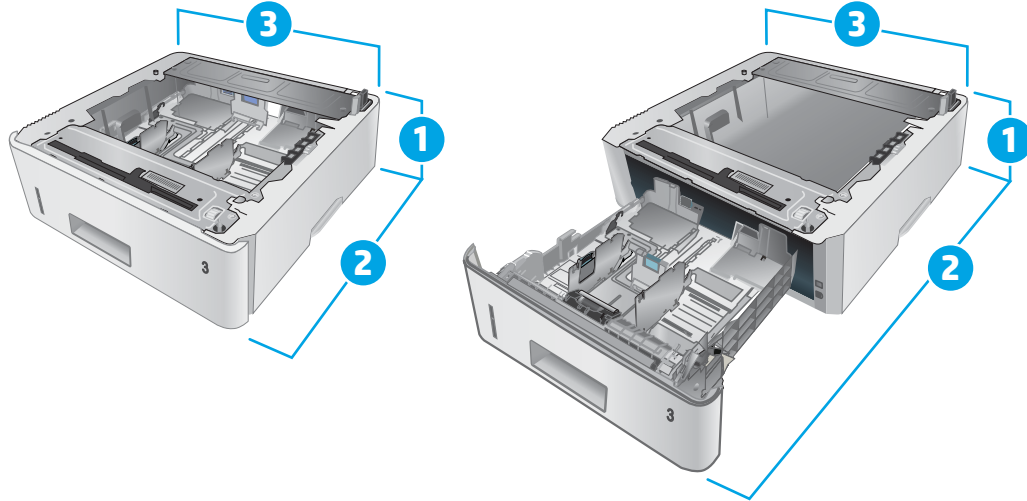
## Printer dimensions

Figure 1-1 Dimensions for the M402 and M403 models



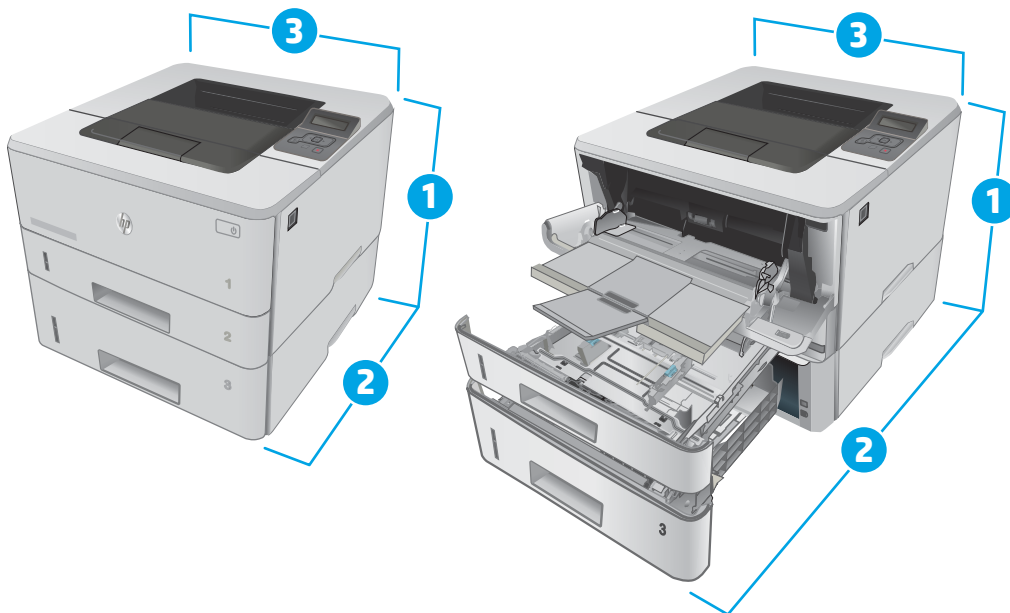
	Printer fully closed	Printer fully open
1. Height	216 mm (8.5 in)	241 mm (9.5 in)
2. Depth	357 mm (14 in)	781 mm (30.8 in)
3. Width	381 mm (15 in)	381 mm (15 in)
Weight (with cartridges)	8.9 kg (19.6 lb)	

Figure 1-2 Dimensions for the optional 550-sheet tray



	Tray fully closed	Tray fully open
1. Height	131 mm (5.1 in)	131 mm (5.1 in)
2. Depth	357 mm (14 in)	781 mm (30.8 in)
3. Width	381 mm (15 in)	381 mm (15 in)
Weight	3.7 kg (8.2 lb)	

Figure 1-3 Dimensions for the printer with the optional 550-sheet tray



	Printer and tray fully closed	Printer and tray fully open
1. Height	345 mm (13.5 in)	372 mm (14.6 in)
2. Depth	357 mm (14 in)	781 mm (30.8 in)
3. Width	381 mm (15 in)	381 mm (15 in)
Weight (with cartridges)	12.4 kg (27.3 lb)	

## Power consumption, electrical specifications, and acoustic emissions

See [www.hp.com/support/ljM402](http://www.hp.com/support/ljM402), [www.hp.com/support/ljM403](http://www.hp.com/support/ljM403) for current information.

**⚠ CAUTION:** Power requirements are based on the country/region where the printer is sold. Do not convert operating voltages. This will damage the printer and void the printer warranty.

## Operating environmental range

**Table 1-1** Operating environmental range

Environment	Recommended	Allowed
Temperature	17.5° to 25°C (63.5° to 77°F)	15° to 32.5°C (59° to 90.5°F)
Relative humidity	30% to 70% relative humidity (RH)	10% to 80% RH

## Printer hardware setup and software installation

For basic setup instructions, see the Setup Poster and Getting Started Guide that came with the printer. For additional instructions, go to HP support on the Web.

Go to [www.hp.com/support/ljM402](http://www.hp.com/support/ljM402), [www.hp.com/support/ljM403](http://www.hp.com/support/ljM403) for HP's all-inclusive help for the printer. Find the following support:

- Install and configure
- Learn and use
- Solve problems
- Download software and firmware updates
- Join support forums
- Find warranty and regulatory information

---

## 2 Paper trays

- [Load Tray 1](#)
- [Load Tray 2](#)
- [Load Tray 3](#)
- [Load and print envelopes](#)

### For more information:

The following information is correct at the time of publication. For current information, see [www.hp.com/support/ljM402](http://www.hp.com/support/ljM402), [www.hp.com/support/ljM403](http://www.hp.com/support/ljM403).

HP's all-inclusive help for the printer includes the following information:

- Install and configure
- Learn and use
- Solve problems
- Download software and firmware updates
- Join support forums
- Find warranty and regulatory information

# Load Tray 1

## Introduction

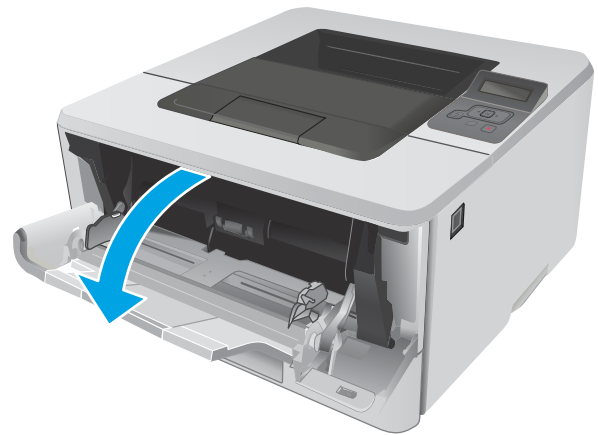
The following information describes how to load paper in Tray 1. This tray holds up to 100 sheets of 75 g/m<sup>2</sup> (20 lb) paper.

---

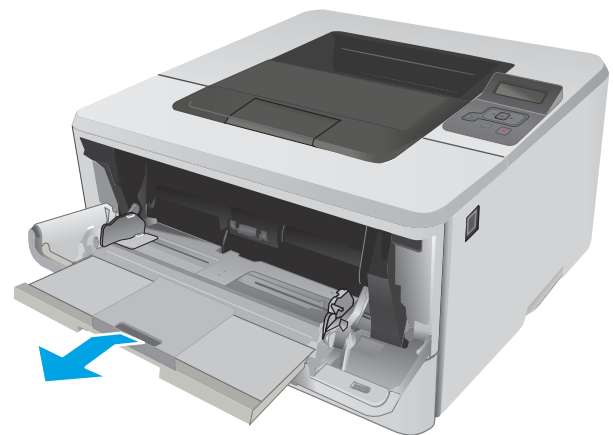
**CAUTION:** To avoid paper jams, never add or remove paper from Tray 1 during printing.

---

1. Open Tray 1 by grasping the handles on the left and right side of the tray and pulling down.

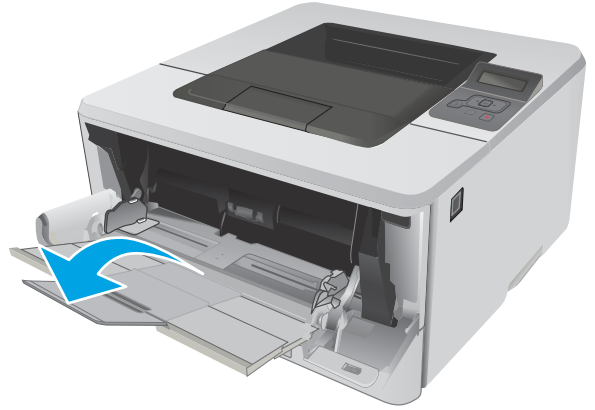


2. Slide out the tray extension.





3. For long paper, flip out the tray extension to support the paper.

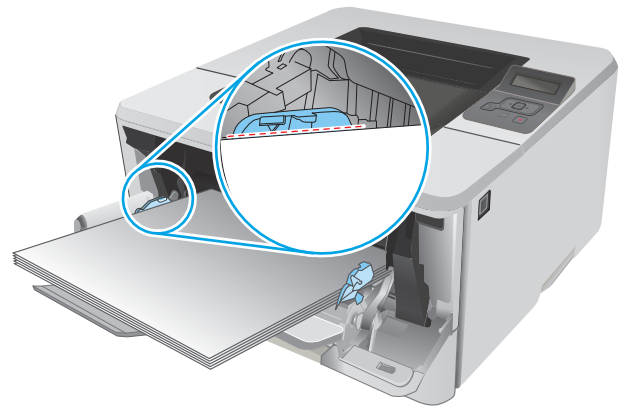


4. Press down on the tab on the right paper guide, and then spread the paper guides to the correct size.

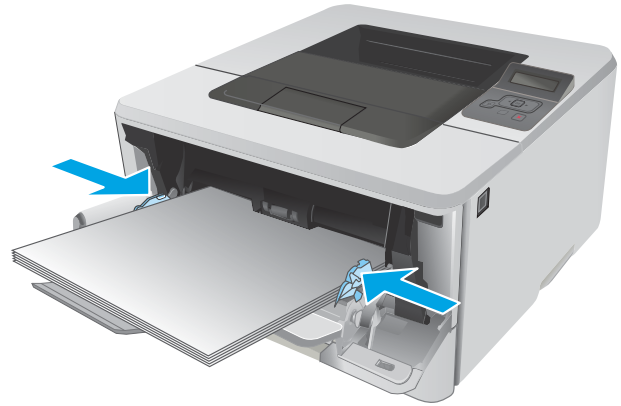


5. Load the paper into the tray. Make sure that the paper fits under the tabs and below the maximum-height indicators.

The orientation of the paper in the tray varies depending on the paper size. For additional information, see [Tray 1 paper orientation on page 17](#)



6. Press down on the tab on the right paper guide, and then adjust the paper guides so that they lightly touch the paper stack but do not bend the paper.

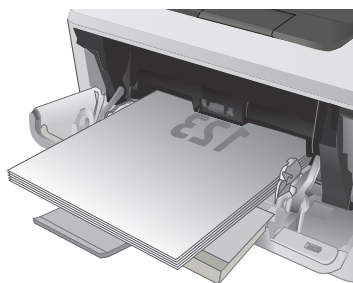
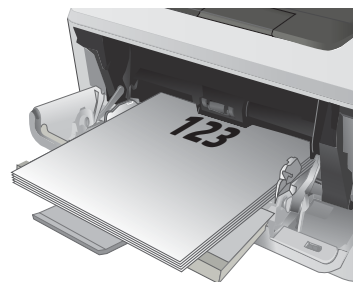


7. At the computer, begin the printing process from the software application. Make sure that the driver is set to the correct paper type and size for the paper being printed from the tray.

## Tray 1 paper orientation

When using paper that requires a specific orientation, load it according to the information in the following table.

Paper type	Output	How to load paper
Letterhead or preprinted	1-sided printing	Face-up Top edge leading into the printer
Letterhead or preprinted	2-sided printing	Face-down Top edge leading into the printer



# Load Tray 2

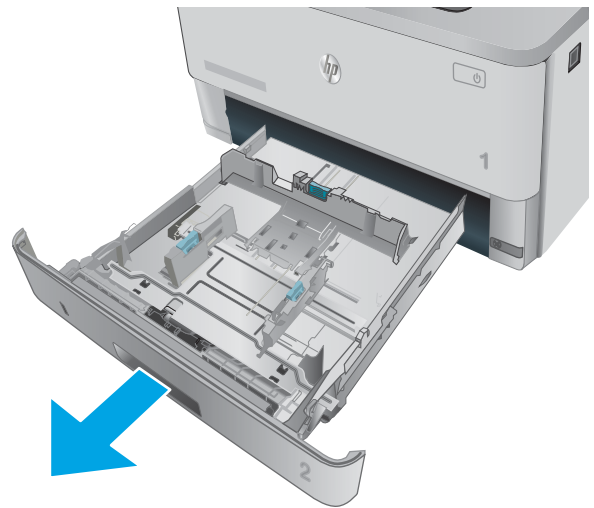
## Introduction

The following information describes how to load paper in Tray 2. This tray holds up to 250 sheets of 75 g/m<sup>2</sup> (20 lb) paper.

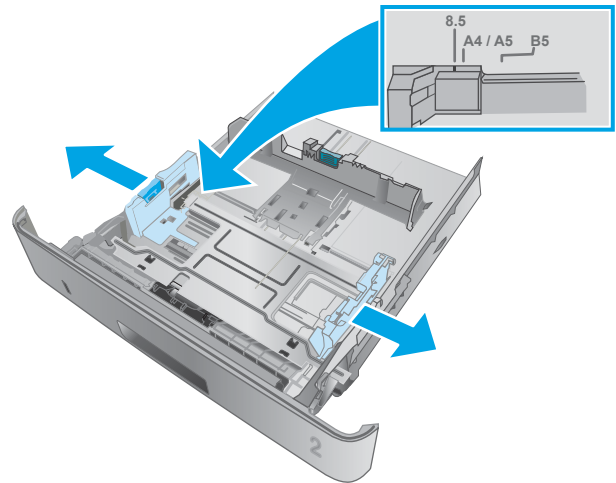
**CAUTION:** Do not print envelopes, labels, or unsupported sizes of paper from Tray 2. Print these types of paper only from Tray 1.

1. Pull the tray out and lift up slightly to remove it completely from the printer.

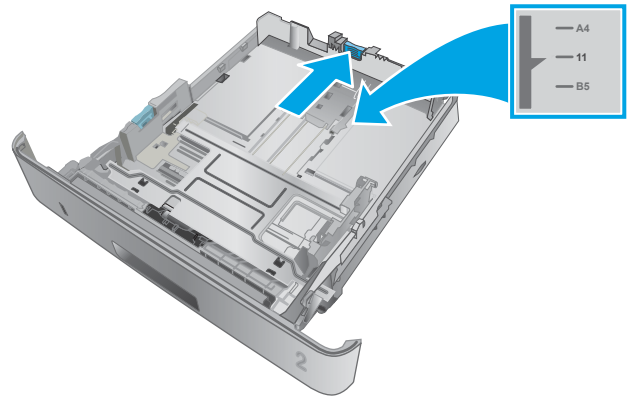
**NOTE:** Do not open the tray while it is in use.



2. Adjust the paper-width guides by squeezing the adjustment latch on the left guide and sliding the guides to the size of the paper being used.



- Adjust the paper-length guide by squeezing the adjustment latch and sliding the guides to the size of the paper being used.

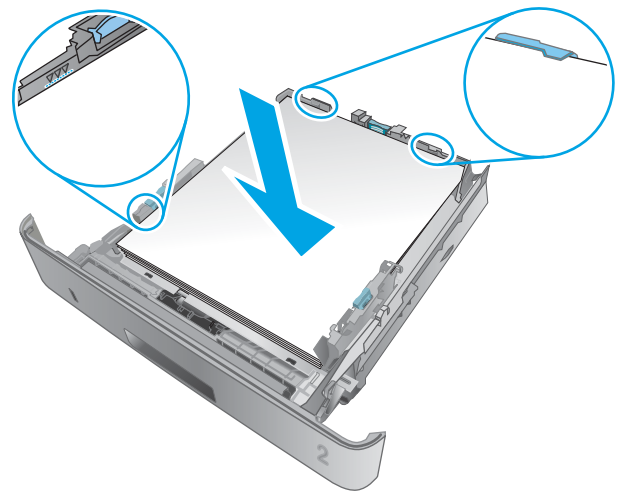


- Load paper into the tray. For information about how to orient the paper, see [Tray 2 paper orientation on page 20](#)

**NOTE:** Do not adjust the paper guides tightly against the paper stack. Adjust them to the indentations or markings in the tray.

**NOTE:** To prevent jams, adjust the paper guides to the correct size and do not overfill the tray. Be sure that the top of the stack is below the tray full indicators, as shown in the enlargement in the illustration.

**NOTE:** If the tray is not adjusted correctly, an error message might display during printing or the paper might jam.



- Slide the tray completely into the printer.

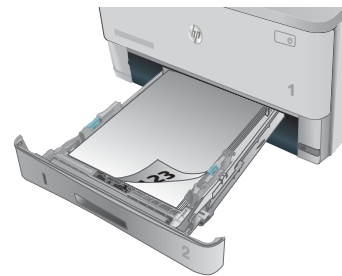
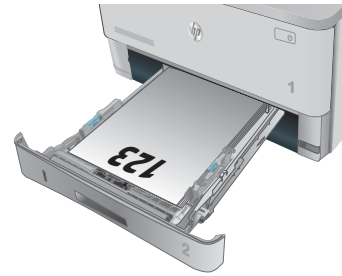


- At the computer, begin the printing process from the software application. Make sure that the driver is set to the correct paper type and size for the paper being printed from the tray.

## Tray 2 paper orientation

When using paper that requires a specific orientation, load it according to the information in the following table.

Paper type	Output	How to load paper
Letterhead or preprinted	2-sided printing	Face-up Top edge at the front of the tray
Letterhead or preprinted	1-sided printing	Face-down Top edge at the front of the tray



# Load Tray 3

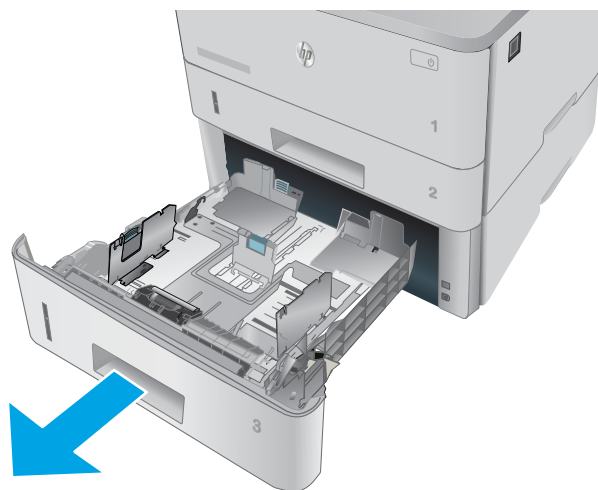
## Introduction

The following information describes how to load paper in Tray 3. This tray holds up to 550 sheets of 75 g/m<sup>2</sup> (20 lb) paper.

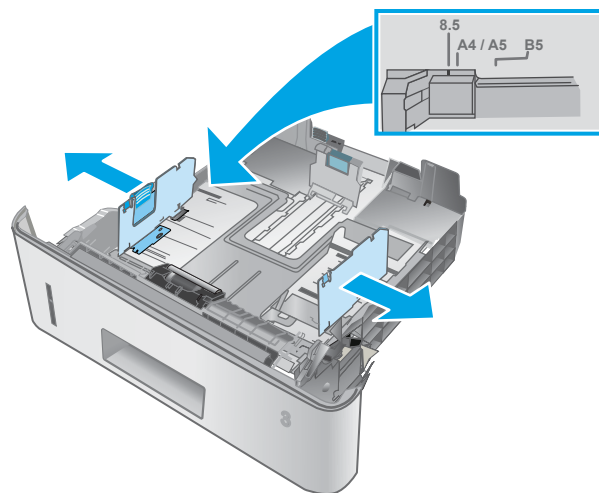
**CAUTION:** Do not print envelopes, labels, or unsupported sizes of paper from Tray 3. Print these types of paper only from Tray 1.

1. Pull the tray out and lift up slightly to remove it completely from the printer.

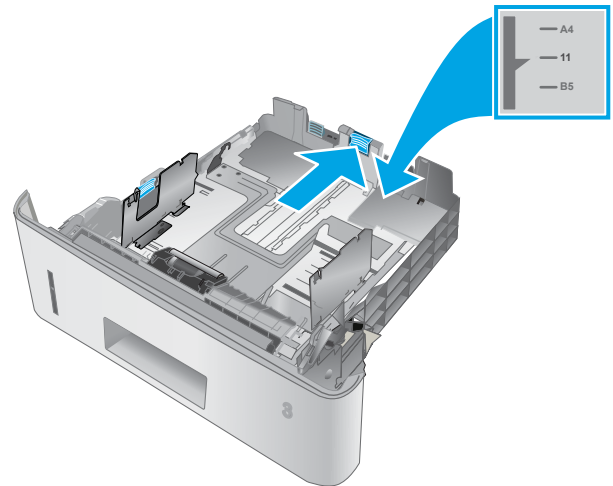
**NOTE:** Do not open the tray while it is in use.



2. Adjust the paper-width guides by squeezing the adjustment latch on the left guide and sliding the guides to the size of the paper being used.



3. Adjust the paper-length guide by squeezing the adjustment latch and sliding the guides to the size of the paper being used.

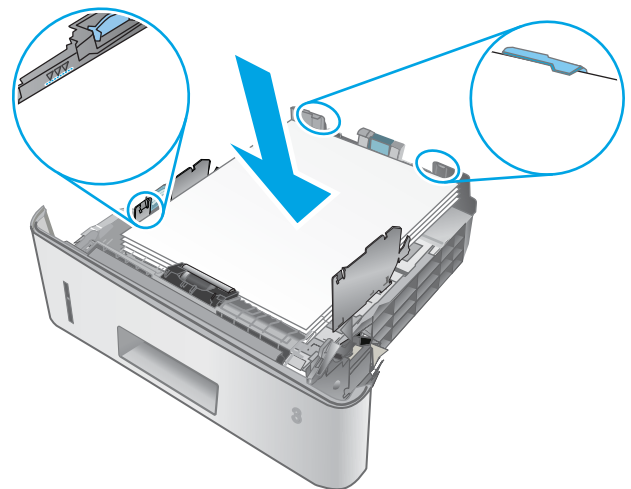


4. Load paper into the tray. For information about how to orient the paper, see [Tray 3 paper orientation on page 23](#)

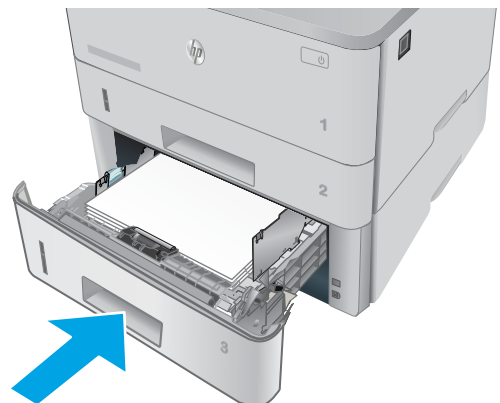
**NOTE:** Do not adjust the paper guides tightly against the paper stack. Adjust them to the indentations or markings in the tray.

**NOTE:** To prevent jams, adjust the paper guides to the correct size and do not overfill the tray. Be sure that the top of the stack is below the tray full indicators, as shown in the enlargement in the illustration.

**NOTE:** If the tray is not adjusted correctly, an error message might display during printing or the paper might jam.



5. Slide the tray completely into the printer.



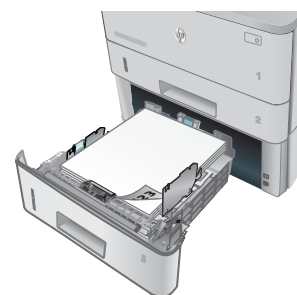
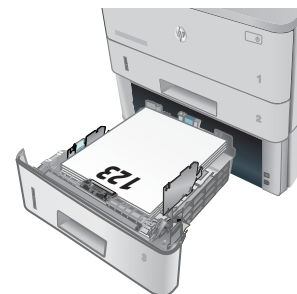
6. At the computer, begin the printing process from the software application. Make sure that the driver is set to the correct paper type and size for the paper being printed from the tray.



## Tray 3 paper orientation

When using paper that requires a specific orientation, load it according to the information in the following table.

Paper type	Output	How to load paper
Letterhead or preprinted	2-sided printing	Face-up Top edge at the front of the tray
Letterhead or preprinted	1-sided printing	Face-down Top edge at the front of the tray



# Load and print envelopes

## Introduction

The following information describes how to print and load envelopes. Use only Tray 1 to print on envelopes. Tray 1 holds up to 10 envelopes.


To print envelopes using the manual feed option, follow these steps to select the correct settings in the print driver, and then load the envelopes into the tray after sending the print job to the printer.

## Print envelopes

1. From the software program, select the **Print** option.
2. Select the printer from the list of printers, and then click or tap the **Properties** or **Preferences** button to open the print driver.

---

 **NOTE:** The name of the button varies for different software programs.

 **NOTE:** To access these features from a Windows 8 or 8.1 Start screen, select **Devices**, select **Print**, and then select the printer.

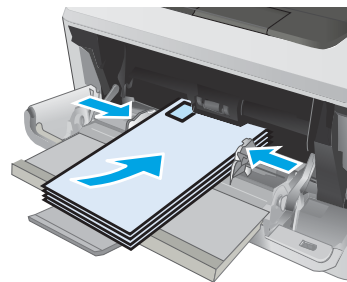
---

3. Click or tap the **Paper/Quality** tab.
4. In the **Paper size** drop-down list, select the correct size for the envelopes.
5. In the **Paper type** drop-down list, select **Envelope**.
6. In the **Paper source** drop-down list, select **Manual feed**.
7. Click the **OK** button to close the **Document Properties** dialog box.
8. In the **Print** dialog box, click the **OK** button to print the job.

## Envelope orientation

---

Load envelopes in Tray 1 face up, with the short, postage end leading into the printer.



---

## 3 Supplies, accessories, and parts

- [Order supplies, accessories, and parts](#)
- [Replace the toner cartridge](#)

### For more information:

The following information is correct at the time of publication. For current information, see [www.hp.com/support/ljM402](http://www.hp.com/support/ljM402), [www.hp.com/support/ljM403](http://www.hp.com/support/ljM403).

HP's all-inclusive help for the printer includes the following information:

- Install and configure
- Learn and use
- Solve problems
- Download software and firmware updates
- Join support forums
- Find warranty and regulatory information

# Order supplies, accessories, and parts

## Ordering

Order supplies and paper	<a href="http://www.hp.com/go/suresupply">www.hp.com/go/suresupply</a>
Order genuine HP parts or accessories	<a href="http://www.hp.com/buy/parts">www.hp.com/buy/parts</a>
Order through service or support providers	Contact an HP-authorized service or support provider.
Order using the HP Embedded Web Server (EWS)	To access, in a supported Web browser on the computer, enter the printer IP address or host name in the address/URL field. The EWS contains a link to the HP SureSupply Web site, which provides options for purchasing Original HP supplies.

## Supplies and accessories

Item	Description	Cartridge number	Part number
<b>Supplies</b>			
HP 26A Black Original LaserJet Toner Cartridge	Standard-capacity replacement black toner cartridge	26A	CF226A
<b>NOTE:</b> M402 models only			
HP 28A Black Original LaserJet Toner Cartridge	Standard-capacity replacement black toner cartridge	28A	CF228A
<b>NOTE:</b> M403 models only			
HP 26X High Yield Black Original LaserJet Toner Cartridge	High-capacity replacement black toner cartridge	26X	CF226X
<b>NOTE:</b> M402 models only			
HP 28X High Yield Black Original LaserJet Toner Cartridge	High-capacity replacement black toner cartridge	28X	CF228X
<b>NOTE:</b> M403 models only			
<b>Accessories</b>			
HP LaserJet 1 x 550 Paper Feeder	550-sheet paper feeder (optional Tray 3)	Not applicable	RM2-5413-000CN

## Customer self-repair parts

Customer Self-Repair (CSR) parts are available for many HP LaserJet printers to reduce repair time. More information about the CSR program and benefits can be found at [www.hp.com/go/csr-support](http://www.hp.com/go/csr-support) and [www.hp.com/go/csr-faq](http://www.hp.com/go/csr-faq).

Genuine HP replacement parts can be ordered at [www.hp.com/buy/parts](http://www.hp.com/buy/parts) or by contacting an HP-authorized service or support provider. When ordering, one of the following will be needed: part number, serial number (found on back of printer), printer number, or printer name.

- Parts listed as **Mandatory** self-replacement are to be installed by customers, unless you are willing to pay HP service personnel to perform the repair. For these parts, on-site or return-to-depot support is not provided under the HP printer warranty.
- Parts listed as **Optional** self-replacement can be installed by HP service personnel at your request for no additional charge during the printer warranty period.

Item	Description	Self-replacement options	Part number
250-sheet paper input tray	Replacement cassette for Tray 2	Mandatory	RM2-5392-000CN
HP LaserJet 1 x 550 Paper Feeder	550-sheet paper feeder (optional Tray 3)	Mandatory	RM2-5413-000CN

# Replace the toner cartridge

- [Introduction](#)
- [Toner-cartridge information](#)
- [Remove and replace the toner cartridge](#)

## Introduction

The following information provides details about the toner cartridge for the printer, and it includes instructions to replace it.


## Toner-cartridge information

This printer indicates when the toner cartridge level is low and very low. The actual toner cartridge life remaining can vary. Consider having a replacement cartridge available to install when print quality is no longer acceptable.


Continue printing with the current cartridge until redistributing the toner no longer yields acceptable print quality. To redistribute the toner, remove the toner cartridge from the printer and gently rock the cartridge back and forth about its horizontal axis. For graphical representation, see cartridge replacement instructions. Reinsert the toner cartridge into the printer and close the cover.

To purchase cartridges or check cartridge compatibility for the printer, go to HP SureSupply at [www.hp.com/go/suresupply](http://www.hp.com/go/suresupply). Scroll to the bottom of the page and verify that the country/region is correct.

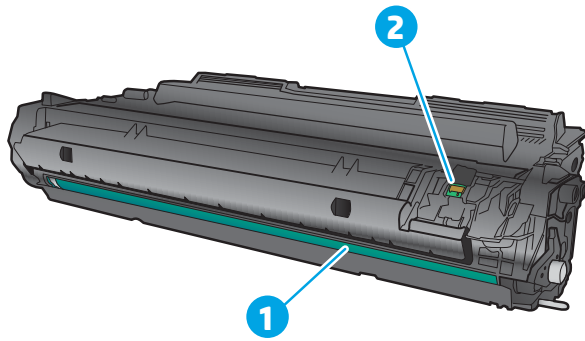
Capacity	Description	Cartridge number	Part number
HP 26A Black Original LaserJet Toner Cartridge	Standard-capacity replacement black toner cartridge	26A	CF226A
<b>NOTE:</b> M402 models only			
HP 28A Black Original LaserJet Toner Cartridge	Standard-capacity replacement black toner cartridge	28A	CF228A
<b>NOTE:</b> M403 models only			
HP 26X High Yield Black Original LaserJet Toner Cartridge	High-capacity replacement black toner cartridge	26X	CF226X
<b>NOTE:</b> M402 models only			
HP 28X High Yield Black Original LaserJet Toner Cartridge)	High-capacity replacement black toner cartridge	28X	CF228X
<b>NOTE:</b> M403 models only			

 **NOTE:** High-yield toner cartridges contain more toner than standard cartridges for increased page yield. For more information, go to [www.hp.com/go/learnaboutsupplies](http://www.hp.com/go/learnaboutsupplies).

Do not remove the toner cartridge from its package until it is time to replace it.

 **CAUTION:** To prevent damage to the toner cartridge, do not expose it to light for more than a few minutes. Cover the green imaging drum if the toner cartridge must be removed from the printer for an extended period of time.

The following illustration shows the toner-cartridge components.




---

1 Imaging drum

**CAUTION:** Do not touch the imaging drum. Fingerprints can cause print-quality problems.

---

2 Memory chip

---

**CAUTION:** If toner gets on clothing, wipe it off by using a dry cloth and wash the clothes in cold water. Hot water sets toner into fabric.

**NOTE:** Information about recycling used toner cartridges is in the toner-cartridge box.

---

## Remove and replace the toner cartridge

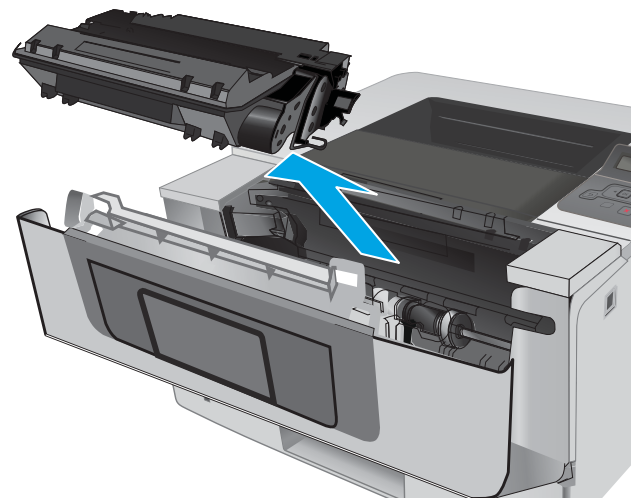
1. Press the front-door-release button.



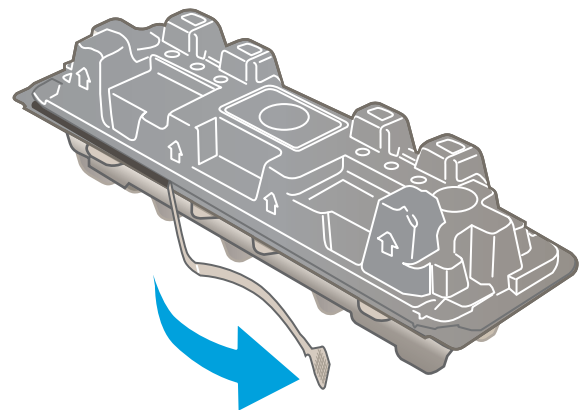
2. Open the front door.



3. Remove the used toner cartridge from the printer.

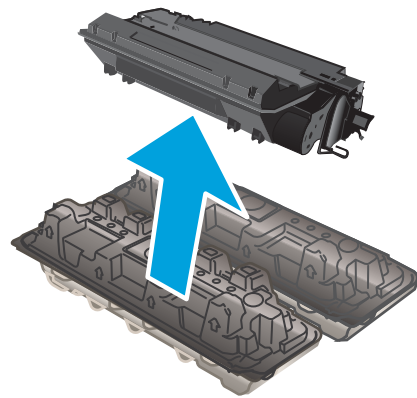


4. Remove the new toner cartridge package from the box, and then pull the release tab on the packaging.

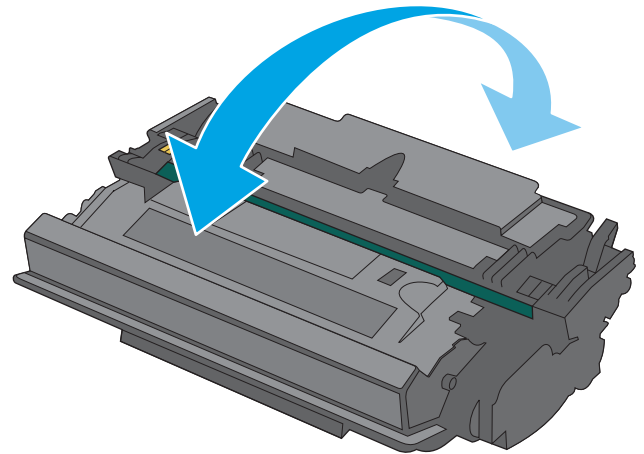




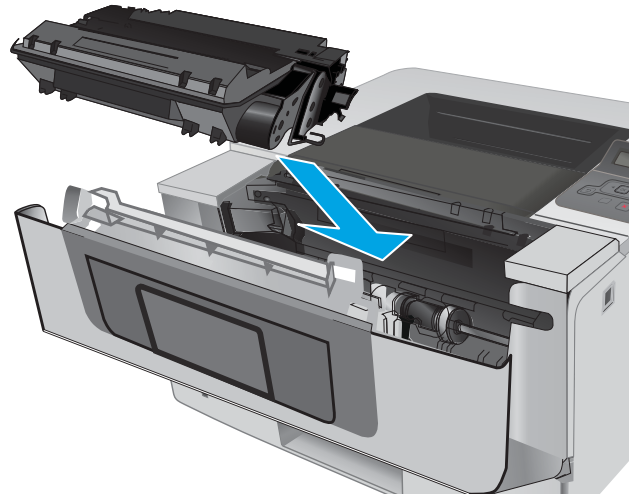
5. Remove the toner cartridge from the opened packaging shell. Place the used toner cartridge in the shell for recycling.



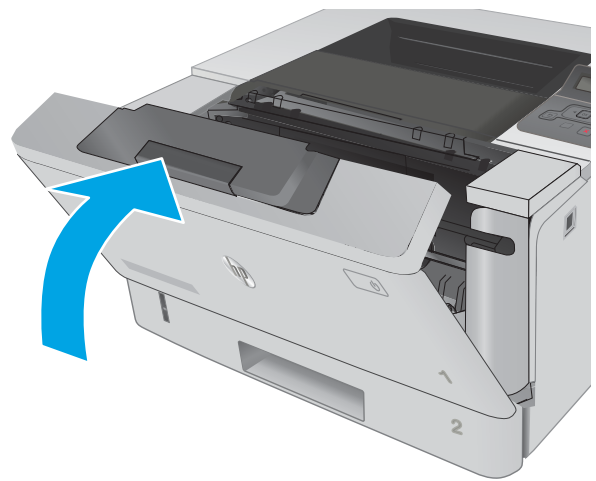
6. Hold both ends of the toner cartridge and rock it 5-6 times.



7. Align the toner cartridge with the tracks inside the printer, and install the toner cartridge until it is firmly seated.



8. Close the front door.



---

# 4 Print

- [Print tasks \(Windows\)](#)
- [Print tasks \(OS X\)](#)
- [Store print jobs on the product to print later or print privately](#)
- [Mobile printing](#)

## For more information:

The following information is correct at the time of publication. For current information, see [www.hp.com/support/ljM402](http://www.hp.com/support/ljM402), [www.hp.com/support/ljM403](http://www.hp.com/support/ljM403).

HP's all-inclusive help for the printer includes the following information:

- Install and configure
- Learn and use
- Solve problems
- Download software and firmware updates
- Join support forums
- Find warranty and regulatory information

# Print tasks (Windows)


## How to print (Windows)

The following procedure describes the basic printing process for Windows.

1. From the software program, select the **Print** option.
2. Select the printer from the list of printers. To change settings, click or tap the **Properties** or **Preferences** button to open the print driver.

---

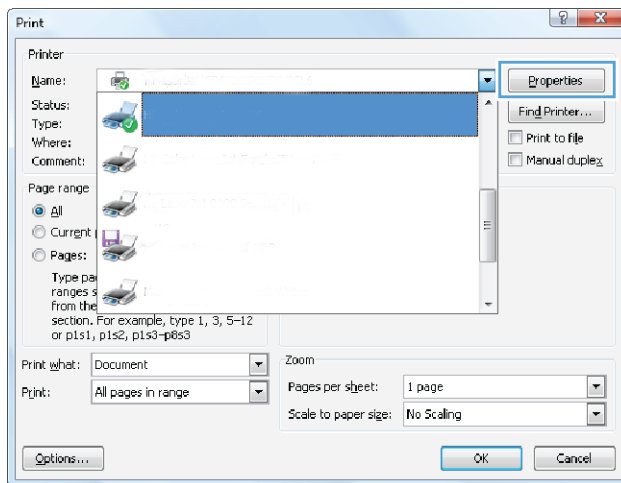
 **NOTE:** The name of the button varies for different software programs.

 **NOTE:** To access these features from a Windows 8 or 8.1 Start screen app, select **Devices**, select **Print**, and then select the printer.

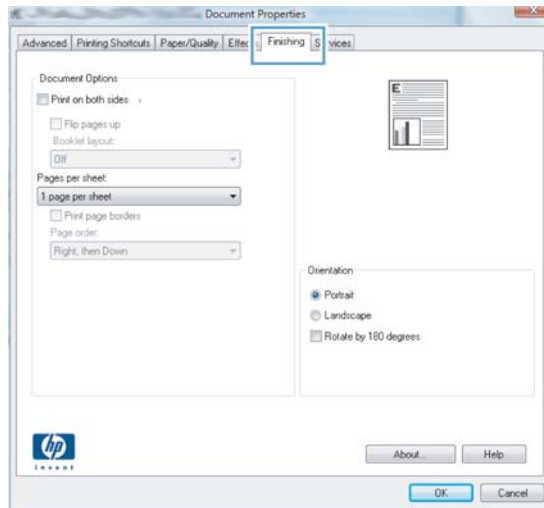
 **NOTE:** For more information, click the Help (?) button in the print driver.

 **NOTE:** The print driver might look different than what is shown here, but the steps are the same.

---



3. Click or tap the tabs in the print driver to configure the available options. For example, set the paper orientation on the **Finishing** tab, and set the paper source, paper type, paper size, and quality settings on the **Paper/Quality** tab.



4. Click or tap the **OK** button to return to the **Print** dialog box. Select the number of copies to print from this screen.
5. Click or tap the **OK** button to print the job.


## Automatically print on both sides (Windows)

Use this procedure for printers that have an automatic duplexer installed. If the printer does not have an automatic duplexer installed, or to print on paper types that the duplexer does not support, print on both sides manually.

1. From the software program, select the **Print** option.
2. Select the printer from the list of printers, and then click or tap the **Properties** or **Preferences** button to open the print driver.

---

 **NOTE:** The name of the button varies for different software programs.

 **NOTE:** To access these features from a Windows 8 or 8.1 Start screen app, select **Devices**, select **Print**, and then select the printer.

---

3. Click or tap the **Finishing** tab.
4. Select the **Print on both sides** check box. Click the **OK** button to close the **Document Properties** dialog box.
5. In the **Print** dialog box, click the **OK** button to print the job.

## Manually print on both sides (Windows)

Use this procedure for printers that do not have an automatic duplexer installed or to print on paper that the duplexer does not support.

1. From the software program, select the **Print** option.
2. Select the printer from the list of printers, and then click or tap the **Properties** or **Preferences** button to open the print driver.

---

 **NOTE:** The name of the button varies for different software programs.

 **NOTE:** To access these features from a Windows 8 or 8.1 Start screen app, select **Devices**, select **Print**, and then select the printer.

---


3. Click or tap the **Finishing** tab.
4. Select the **Print on both sides (manually)** check box. Click the **OK** button to print the first side of the job.
5. Retrieve the printed stack from the output bin, and place it in Tray 1.
6. If prompted, touch the appropriate control panel button to continue.

## Print multiple pages per sheet (Windows)

1. From the software program, select the **Print** option.
2. Select the printer from the list of printers, and then click or tap the **Properties** or **Preferences** button to open the print driver.

---

 **NOTE:** The name of the button varies for different software programs.

 **NOTE:** To access these features from a Windows 8 or 8.1 Start screen app, select **Devices**, select **Print**, and then select the printer.

---


3. Click or tap the **Finishing** tab.
4. Select the number of pages per sheet from the **Pages per sheet** drop-down list.
5. Select the correct **Print page borders**, **Page order**, and **Orientation** options. Click the **OK** button to close the **Document Properties** dialog box.
6. In the **Print** dialog box, click the **OK** button to print the job.

## Select the paper type (Windows)

1. From the software program, select the **Print** option.
2. Select the printer from the list of printers, and then click or tap the **Properties** or **Preferences** button to open the print driver.

---

 **NOTE:** The name of the button varies for different software programs.

 **NOTE:** To access these features from a Windows 8 or 8.1 Start screen app, select **Devices**, select **Print**, and then select the printer.

---

3. Click or tap the **Paper/Quality** tab.

4. From the **Paper type** drop-down list, click the **More...** option.
5. Expand the list of **Type is:** options.
6. Expand the category of paper types that best describes your paper.
7. Select the option for the type of paper you are using, and then click the **OK** button.
8. Click the **OK** button to close the **Document Properties** dialog box. In the **Print** dialog box, click the **OK** button to print the job.

If the tray needs to be configured, a tray configuration message displays on the printer control panel.

9. Load the tray with the specified type and size of paper, and then close the tray.
10. Touch the **OK** button to accept the detected type and size, or touch the **Modify** button to choose a different paper size or type.
11. Select the correct type and size, and then touch the **OK** button.

## Additional print tasks

Go to [www.hp.com/support/ljM402](http://www.hp.com/support/ljM402), [www.hp.com/support/ljM403](http://www.hp.com/support/ljM403).

Instructions are available for performing specific print tasks, such as the following:

- Create and use printing shortcuts or presets
- Select the paper size, or use a custom paper size
- Select the page orientation
- Create a booklet
- Scale a document to fit a specific paper size
- Print the first or last pages of the document on different paper
- Print watermarks on a document




# Print tasks (OS X)

## How to print (OS X)

The following procedure describes the basic printing process for OS X.

1. Click the **File** menu, and then click the **Print** option.
2. Select the printer.
3. Click **Show Details** or **Copies & Pages**, and then select other menus to adjust the print settings.

---

 **NOTE:** The name of the item varies for different software programs.

---

4. Click the **Print** button.

## Automatically print on both sides (OS X)

---

 **NOTE:** This information applies to printers that include an automatic duplexer.

---

 **NOTE:** This feature is available if you install the HP print driver. It might not be available if you are using AirPrint.

---

1. Click the **File** menu, and then click the **Print** option.
2. Select the printer.
3. Click **Show Details** or **Copies & Pages**, and then click the **Layout** menu.

---

 **NOTE:** The name of the item varies for different software programs.

---

4. Select a binding option from the **Two-Sided** drop-down list.
5. Click the **Print** button.

## Manually print on both sides (OS X)

---

 **NOTE:** This feature is available if you install the HP print driver. It might not be available if you are using AirPrint.

---

1. Click the **File** menu, and then click the **Print** option.
2. Select the printer.
3. Click **Show Details** or **Copies & Pages**, and then click the **Manual Duplex** menu.

---

 **NOTE:** The name of the item varies for different software programs.

---

4. Click the **Manual Duplex** box, and select a binding option.
5. Click the **Print** button.
6. Go to the printer, and remove any blank paper that is in Tray 1.
7. Retrieve the printed stack from the output bin and place it with the printed-side facing down in the input tray.
8. If prompted, touch the appropriate control panel button to continue.

## Print multiple pages per sheet (OS X)

1. Click the **File** menu, and then click the **Print** option.
2. Select the printer.
3. Click **Show Details** or **Copies & Pages**, and then click the **Layout** menu.



---

**NOTE:** The name of the item varies for different software programs.

---

4. From the **Pages per Sheet** drop-down list, select the number of pages that you want to print on each sheet.
5. In the **Layout Direction** area, select the order and placement of the pages on the sheet.
6. From the **Borders** menu, select the type of border to print around each page on the sheet.
7. Click the **Print** button.

## Select the paper type (OS X)

1. Click the **File** menu, and then click the **Print** option.
2. Select the printer.
3. Click **Show Details** or **Copies & Pages**, and then click the **Media & Quality** menu or the **Paper/Quality** menu.



---

**NOTE:** The name of the item varies for different software programs.

---

4. Select from the **Media & Quality** or **Paper/Quality** options.



---

**NOTE:** This list contains the master set of options available. Some options are not available on all printers.

---

- **Media Type:** Select the option for the type of paper for the print job.
  - **Print Quality:** Select the resolution level for the print job.
  - **Edge-To-Edge Printing:** Select this option to print close to the paper edges.
  - **EconoMode:** Select this option to conserve toner when printing drafts of documents.
5. Click the **Print** button.

## Additional print tasks

Go to [www.hp.com/support/ljM402](http://www.hp.com/support/ljM402), [www.hp.com/support/ljM403](http://www.hp.com/support/ljM403).

Instructions are available for performing specific print tasks, such as the following:

- Create and use printing shortcuts or presets
- Select the paper size, or use a custom paper size
- Select the page orientation
- Create a booklet
- Scale a document to fit a specific paper size
- Print the first or last pages of the document on different paper
- Print watermarks on a document

# Store print jobs on the product to print later or print privately

- [Introduction](#)
- [Before you begin](#)
- [Set up the printer for job storage](#)
- [Create a stored job \(Windows\)](#)
- [Print a stored job](#)
- [Delete a stored job](#)

## Introduction

This section provides procedures for creating and printing documents that are stored on the printer. These jobs can be printed at a later time or printed privately.

## Before you begin

The job storage feature has the following requirements:

- A dedicated USB 2.0 flash drive with at least 16 GB free space must be installed in the rear host USB. This USB flash drive holds the job storage jobs sent to the printer. Removing this USB flash drive from the printer disables the job storage feature.
- If you are using an HP Universal Print Driver (UPD), you must use UPD version 5.9.0 or above.

## Set up the printer for job storage

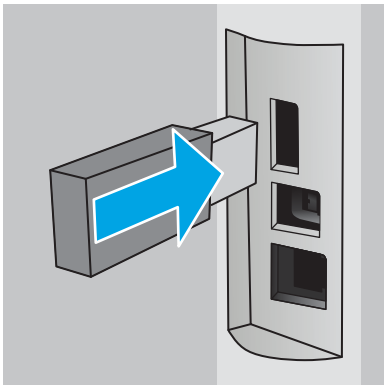
Complete the following processes to enable the printer job storage feature.

### Step one: Install the USB flash drive

1. Locate the rear USB port.

 **NOTE:** On some models, the rear USB port is covered. Remove the rear USB port cover before proceeding.

2. Install the USB flash drive into the rear USB port.



The control panel displays a **The USB drive will be formatted** message.

3. Select **OK** to complete the procedure.

## Step two: Update the print driver

### Update the print driver in Windows

1. Click the **Start** button, and then click **Devices and Printers**.
2. Right-click on the name of the HP printer, and then select **Printer properties**.
3. In the **Properties** dialog, select the **Device Settings** tab.
4. Select **Update Now**, and then click **OK**. The print driver updates.

The updated print driver will include the **Job Storage** tab.

## Create a stored job (Windows)

Store jobs on the printer for private or delayed printing.

---

 **NOTE:** The print driver might look different than what is shown here, but the steps are the same.

---

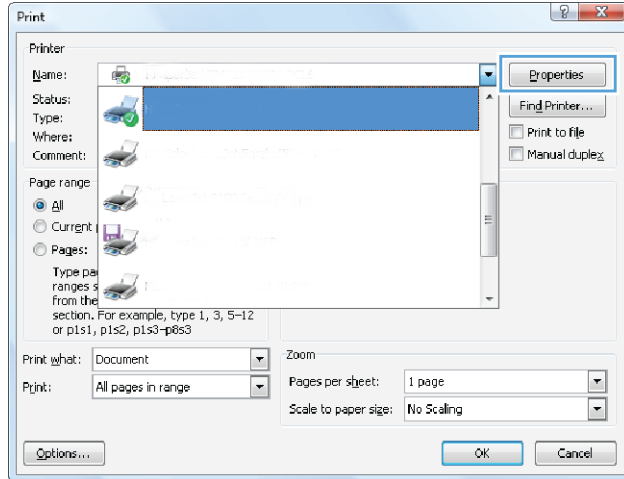
1. From the software program, select the **Print** option.
2. Select the printer from the list of printers, and then select **Properties** or **Preferences** (the name varies for different software programs).

---

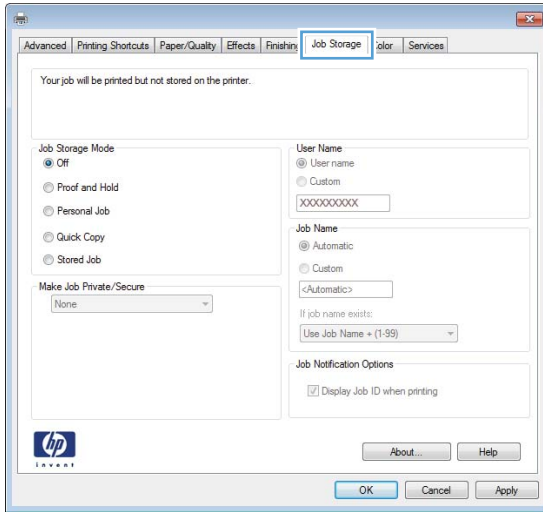
 **NOTE:** The name of the button varies for different software programs.

 **NOTE:** To access these features from a Windows 8 or 8.1 Start screen app, select **Devices**, select **Print**, and then select the printer.

---



- Click the **Job Storage** tab.



- Select a **Job Storage Mode** option.

Mode	Description	PIN protected	Job deletion
<b>Proof and Hold</b>	Print the first page of a document to verify print quality, and then print the rest of the document from the printer control panel.	No	Automatically after the job is printed or when job retention limit is reached.
<b>Personal Job</b>	The job does not print until you request it at the printer control panel.	Yes (optional)	Automatically after the job is printed or when job retention limit is reached.
<b>Quick Copy</b>	Print the requested number of copies of a job and store a copy of the job in the printer memory so you can print it again later.	No	Manually
<b>Stored Job</b>	Store a job on the printer and allow other users to print the job at any time.	Yes (optional)	Manually

- To use a custom user name or job name, click the **Custom** button, and then enter the user name or the job name.

Select which option to use if another stored job already has that name:

- **Use Job Name + (1-99):** Append a unique number to the end of the job name.
- **Replace Existing File:** Overwrite the existing stored job with the new one.

- Click the **OK** button to close the **Document Properties** dialog box. In the **Print** dialog box, click the **OK** button to print the job.

## Print a stored job

Use the following procedure to print a job that is stored in the printer memory.

1. On the printer control panel, press the **OK** button.
2. Scroll to and select **Job Storage**.
3. From the **Job Folders** list, select a user name. A list of jobs stored under that user name displays.
4. Select the name of the job. If the job is private or encrypted, enter the PIN or password.
5. To adjust the number of copies, select **Copies**, enter the number of copies, and then press the **OK** button.
6. Select **Print** to print the job.

## Delete a stored job

When you send a stored job to the printer memory, the printer overwrites any previous jobs with the same user and job name. If the printer memory is full, the printer control panel displays a **No more memory** message and existing stored jobs must be deleted before additional print jobs can be stored.

Use this procedure to delete a job that is stored in the printer memory.

1. On the printer control panel, press the **OK** button.
2. Scroll to and select **Job Storage**.
3. From the **Job Folders** list, select a user name. A list of jobs stored under that user name displays.
4. Select the name of the job. If the job is private or encrypted, enter the PIN or password.
5. Select **Delete**, and then press the **OK** button to delete the job.

# Mobile printing

## Introduction

HP offers multiple mobile and ePrint solutions to enable easy printing to an HP printer from a laptop, tablet, smartphone, or other mobile device. To see the full list and to determine the best choice, go to [www.hp.com/go/LaserJetMobilePrinting](http://www.hp.com/go/LaserJetMobilePrinting).

- [Wi-Fi Direct and NFC Printing \(wireless models only\)](#)
- [HP ePrint via email](#)
- [HP ePrint software](#)
- [AirPrint](#)
- [Android embedded printing](#)

## Wi-Fi Direct and NFC Printing (wireless models only)

Wi-Fi Direct, and NFC (Near Field Communication) printing enable Wi-Fi capable (mobile) devices to make a wireless network connection directly to the printer without using a wireless router.

Wi-Fi Direct and NFC enable printing from a wireless mobile device without requiring a connection to a network or the Internet. NFC capabilities enable easy one-to-one print connection for mobile devices using device-to-device touch.



---

**NOTE:** Not all mobile operating systems are currently supported by Wi-Fi Direct and NFC.

---

Use **Wi-Fi Direct** to print wirelessly from the following devices:

- Android mobile devices compatible with the Android embedded print solution

For more information on Wi-Fi Direct printing, go to [www.hp.com/go/wirelessprinting](http://www.hp.com/go/wirelessprinting).

NFC and Wi-Fi Direct capabilities can be enabled or disabled from the printer's control panel.


### Enable or disable Wi-Fi Direct

Wi-Fi Direct capabilities must be enabled first from the printer control panel.

1. On the printer control panel, press the **OK** button.
2. Open the following menus:
  - **Network Setup**
  - **Wi-Fi Direct**
  - **On/Off**
3. Select the **On** menu item. Selecting the **Off** item disables Wi-Fi Direct printing.



---

 **NOTE:** In environments where more than one model of the same printer is installed, it might be helpful to provide each printer a unique Wi-Fi Direct name for easier printer identification for Wi-Fi Direct printing. The Wi-Fi Direct Name is available by pressing the **OK** button, and then opening the following menus:

- **Network Setup**
  - **Wi-Fi Direct**
  - **Wi-Fi Direct Name**
- 

Follow this procedure to change the printer Wi-Fi Direct name using the HP Embedded Web Server (EWS):


### Step one: Open the HP Embedded Web Server

1. On the printer control panel, press the **OK** button. Open the **Network Setup** menu, and then select **Show IP Address** to display the IP address or host name.
2. Open a Web browser, and in the address line, type the IP address or host name exactly as it displays on the printer control panel. Press the **Enter** key on the computer keyboard. The EWS opens.



If the Web browser displays a **There is a problem with this website's security certificate** message when attempting to open the EWS, click **Continue to this website (not recommended)**.

---

 **NOTE:** Choosing **Continue to this website (not recommended)** will not harm the computer while navigating within the EWS for the HP printer.

---

### Step two: Change the Wi-Fi Direct name

1. Click the **Networking** tab.
2. On the left navigation pane, click the **Wi-Fi Direct Setup** link.
3. In the **Wi-Fi Direct Name** field, enter the new name.
4. Click **Apply**.

## HP ePrint via email

Use HP ePrint to print documents by sending them as an email attachment to the printer's email address from any email enabled device.

---

 **NOTE:** The printer might require a firmware update to use this feature.

---

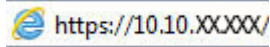
To use HP ePrint, the printer must meet these requirements:

- The printer must be connected to a wired or wireless network and have Internet access.
- HP Web Services must be enabled on the printer, and the printer must be registered with HP Connected.

Follow this procedure to enable HP Web Services and register with HP Connected:


1. On the printer control panel, press the **OK** button. Open the **Network Setup** menu, and then select **Show IP Address** to display the IP address or host name.

2. Open a Web browser, and in the address line, type the IP address or host name exactly as it displays on the printer control panel. Press the **Enter** key on the computer keyboard. The EWS opens.



If the Web browser displays a **There is a problem with this website's security certificate** message when attempting to open the EWS, click **Continue to this website (not recommended)**.

---

 **NOTE:** Choosing **Continue to this website (not recommended)** will not harm the computer while navigating within the EWS for the HP printer.

---

3. Click the **HP Web Services** tab, and then click **Enable**. The printer enables Web Services, and then prints an information page.

The information page contains the printer code necessary to register the HP product at HP Connected.

4. Go to [www.hpconnected.com](http://www.hpconnected.com) to create an HP ePrint account and complete the setup process.

## HP ePrint software

The HP ePrint software makes it easy to print from a Windows or Mac desktop or laptop computer to any HP ePrint-capable printer. This software makes it easy to find HP ePrint-enabled printers that are registered to your HP Connected account. The target HP printer can be located in the office or at locations across the globe.

- **Windows:** After installing the software, open the **Print** option from within your application, and then select **HP ePrint** from the installed printers list. Click the **Properties** button to configure print options.
- **OS X:** After installing the software, select **File, Print**, and then select the arrow next to **PDF** (in the bottom left of the driver screen). Select **HP ePrint**.

For Windows, the HP ePrint software supports TCP/IP printing to local printers on the network (LAN or WAN) and that support UPD PostScript®.

Windows and OS X both support IPP printing to LAN or WAN network-connected printers that support ePCL.

Windows and Mac also both support printing PDF documents to public print locations and printing using HP ePrint via email through the cloud.

Go to [www.hp.com/go/eprintsoftware](http://www.hp.com/go/eprintsoftware) for drivers and information.

---

 **NOTE:** The HP ePrint software is a PDF workflow utility for Mac, and is not technically a print driver.

 **NOTE:** HP ePrint Software does not support USB printing.

---

## AirPrint

Direct printing using Apple's AirPrint is supported for iOS 4.2 or later and from Mac computers running OS X 10.7 Lion and newer. Use AirPrint to print directly to the printer from an iPad, iPhone (3GS or later), or iPod touch (third generation or later) in the following mobile applications:

- Mail
- Photos
- Safari

- iBooks
- Select third-party applications

To use AirPrint, the printer must be connected to the same network (sub-net) as the Apple device. For more information about using AirPrint and about which HP printers are compatible with AirPrint, go to [www.hp.com/go/LaserJetMobilePrinting](http://www.hp.com/go/LaserJetMobilePrinting).



---

**NOTE:** Before using AirPrint with a USB connection, verify the version number. AirPrint versions 1.3 and earlier do not support USB connections.

---

## Android embedded printing

HP's built-in print solution for Android and Kindle enables mobile devices to automatically find and print to HP printers that are either on a network or within wireless range for Wi-Fi Direct printing.

The printer must be connected to the same network (sub-net) as the Android device.

The print solution is built into the supported operating systems, so installing drivers or downloading software is not necessary.

For more information on how to use Android embedded printing and which Android devices are supported, go to [www.hp.com/go/LaserJetMobilePrinting](http://www.hp.com/go/LaserJetMobilePrinting).



---

# 5 Manage the printer

- [Change the printer connection type \(Windows\)](#)
- [Advanced configuration with HP Embedded Web Server \(EWS\) and HP Device Toolbox \(Windows\)](#)
- [Advanced configuration with HP Utility for OS X](#)
- [Configure IP network settings](#)
- [Printer security features](#)
- [Energy-conservation settings](#)
- [HP Web Jetadmin](#)
- [Update the firmware](#)

## For more information:

The following information is correct at the time of publication. For current information, see [www.hp.com/support/ljM402](http://www.hp.com/support/ljM402), [www.hp.com/support/ljM403](http://www.hp.com/support/ljM403).

HP's all-inclusive help for the printer includes the following information:

- Install and configure
- Learn and use
- Solve problems
- Download software and firmware updates
- Join support forums
- Find warranty and regulatory information

## Change the printer connection type (Windows)

If you are already using the printer and you wish to change the way it is connected, use the **Reconfigure your HP Device** shortcut on your computer desktop to change the connection. For example, you can reconfigure the printer to use a different wireless address, to connect to a wired or wireless network, or change from a network connection to a USB connection. You can change the configuration without inserting the printer CD. After you select the type of connection you wish to make, the program goes directly to the portion of the printer setup procedure that needs to change.

# Advanced configuration with HP Embedded Web Server (EWS) and HP Device Toolbox (Windows)


Use the HP Embedded Web Server to manage printing functions from a computer instead of the printer control panel.


- View printer status information
- Determine the remaining life for all supplies and order new ones
- View and change tray configurations
- View and change the printer control-panel menu configuration
- View and print internal pages
- Receive notification of printer and supplies events
- View and change network configuration

The HP Embedded Web Server works when the printer is connected to an IP-based network. The HP Embedded Web Server does not support IPX-based printer connections. Internet access is not needed to open and use the HP Embedded Web Server.

When the printer is connected to the network, the HP Embedded Web Server is automatically available.

---

 **NOTE:** HP Device Toolbox is software used to connect to the HP Embedded Web Server when the printer is connected to a computer via USB. It is available only if a full installation was performed when the printer was installed on a computer. Depending on how the printer is connected, some features might not be available.

 **NOTE:** The HP Embedded Web Server is not accessible beyond the network firewall.

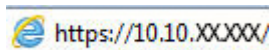
---

## Method one: Open the HP Embedded Web Server (EWS) from the Start menu


1. Click the **Start** button, and then click the **Programs** item.
2. Click your HP printer group, and then click the **HP Device Toolbox** item.

## Method two: Open the HP Embedded Web Server (EWS) from a Web browser

1. On the printer control panel, press the **OK** button. Open the **Network Setup** menu, and then select **Show IP Address** to display the IP address or host name.
2. Open a Web browser, and in the address line, type the IP address or host name exactly as it displays on the printer control panel. Press the **Enter** key on the computer keyboard. The EWS opens.



---

 **NOTE:** If the Web browser displays a **There is a problem with this website's security certificate** message when attempting to open the EWS, click **Continue to this website (not recommended)**.

Choosing **Continue to this website (not recommended)** will not harm the computer while navigating within the EWS for the HP printer.

---

Tab or section	Description
<p><b>Home tab</b></p> <p>Provides printer, status, and configuration information.</p>	<ul style="list-style-type: none"> <li>• <b>Device Status:</b> Shows the printer status and shows the approximate percent life remaining of HP supplies.</li> <li>• <b>Supplies Status:</b> Shows the approximate percent life remaining of HP supplies. Actual supply life remaining can vary. Consider having a replacement supply available to install when print quality is no longer acceptable. The supply does not need to be replaced unless the print quality is no longer acceptable.</li> <li>• <b>Device Configuration:</b> Shows the information found on the printer configuration page.</li> <li>• <b>Network Summary:</b> Shows the information found on the printer network configuration page.</li> <li>• <b>Reports:</b> Print the configuration and supplies status pages that the printer generates.</li> <li>• <b>Job Storage Log:</b> Shows a summary of all jobs stored in the printer memory.</li> <li>• <b>Color Usage Log:</b> Shows a summary of color jobs that the printer has produced. (Color printers only)</li> <li>• <b>Event Log:</b> Shows a list of all printer events and errors.</li> </ul>
<p><b>System tab</b></p> <p>Provides the ability to configure the printer from your computer.</p>	<ul style="list-style-type: none"> <li>• <b>Device Information:</b> Provides basic printer and company information.</li> <li>• <b>Paper Setup:</b> Change the default paper-handling settings for the printer.</li> <li>• <b>Print Quality:</b> Change the default print-quality settings for the printer.</li> <li>• <b>Energy Settings:</b> Change the default times for entering Sleep/Auto Off mode or automatic shut down.</li> <li>• <b>Job Storage Setup:</b> Configure the job storage settings for the printer.</li> <li>• <b>Print Density:</b> Change the print density of contrasts, highlights, midtones, and shadows</li> <li>• <b>Paper Types:</b> Configure print modes that correspond to the paper types that the printer accepts.</li> <li>• <b>System Setup:</b> Change the system defaults for the printer.</li> <li>• <b>Supply Settings:</b> Change the settings for <b>Cartridge is low</b> alerts and other supplies information.</li> <li>• <b>Service:</b> Perform the cleaning procedure on the printer.</li> <li>• <b>Save and Restore:</b> Save the current settings for the printer to a file on the computer. Use this file to load the same settings onto another printer or to restore these settings to this printer at a later time.</li> <li>• <b>Administration:</b> Set or change the printer password. Enable or disable printer features.</li> </ul> <p><b>NOTE:</b> The <b>System</b> tab can be password-protected. If this printer is on a network, always consult with the administrator before changing settings on this tab.</p>
<p><b>Print tab</b></p> <p>Provides the ability to change default print settings from your computer.</p>	<ul style="list-style-type: none"> <li>• <b>Printing:</b> Change the default printer print settings, such as number of copies and paper orientation. These are the same options that are available on the control panel.</li> <li>• <b>PCL5c:</b> View and change the PCL5c settings.</li> <li>• <b>PostScript:</b> Turn off or on the <b>Print PS Errors</b> feature.</li> </ul>



Tab or section	Description
<b>Fax tab</b> (Fax printers only)	<ul style="list-style-type: none"> <li>• <b>Receive Options:</b> Configure how the printer handles incoming faxes.</li> <li>• <b>Phone Book:</b> Add or delete entries in the fax phone book.</li> <li>• <b>Junk Fax List:</b> Set fax numbers to block from sending faxes to the printer.</li> <li>• <b>Fax Activity Log:</b> Review recent fax activity for the printer.</li> </ul>
<b>Scan tab</b> (MFP printers only)	Configure the <a href="#">Scan to Network Folder</a> and <a href="#">Scan to E-mail</a> features. <ul style="list-style-type: none"> <li>• <b>Network Folder Setup:</b> Configure folders on the network to which the printer can save a scanned file.</li> <li>• <b>Scan to E-mail Setup:</b> Begin the process to set up the <a href="#">Scan to E-mail</a> feature.</li> <li>• <b>Outgoing E-mail Profiles:</b> Set an email address that will appear as the "from" address for all emails sent from the printer.</li> <li>• <b>Default SMTP Configuration:</b> Configure the SMTP Server information.</li> <li>• <b>E-mail Address Book:</b> Add or delete entries in the email address book.</li> <li>• <b>Network Contacts Setup:</b> Configure the printer to connect to a network address book.</li> <li>• <b>E-mail Options:</b> Configure a default subject line and body text. Configure default scan settings for emails.</li> </ul>
<b>Networking tab</b> (Network-connected printers only)	Network administrators can use this tab to control network-related settings for the printer when it is connected to an IP-based network. It also allows the network administrator to set up Wi-Fi Direct functionality. This tab does not appear if the printer is directly connected to a computer.
Provides the ability to change network settings from your computer.	
<b>HP Web Services tab</b>	Use this tab to set up and use various Web tools with the printer.

# Advanced configuration with HP Utility for OS X

Use the HP Utility to check printer status or to view or change printer settings from your computer.

You can use the HP Utility when the printer is connected with a USB cable or is connected to a TCP/IP-based network.

## Open HP Utility

1. At the computer, open the **System Preferences** menu, and then click **Print & Fax**, **Print & Scan**, or **Printers & Scanners**.
2. Select the printer in the list.
3. Click the **Options & Supplies** button.
4. Click the **Utility** tab.
5. Click the **Open Printer Utility** button.

## HP Utility features

The HP Utility toolbar includes these items:

- **Devices:** Click this button to show or hide Mac products found by the HP Utility.
- **All Settings:** Click this button to return to the HP Utility main view.
- **HP Support:** Click this button to open a browser and go to the HP support Web site.
- **Supplies:** Click this button to open the HP SureSupply Web site.
- **Registration:** Click this button to open the HP registration Web site.
- **Recycling:** Click this button to open the HP Planet Partners Recycling Program Web site.

HP Utility consists of pages that you open by clicking in the **All Settings** list. The following table describes the tasks that you can perform with HP Utility.

Item	Description
<b>Supplies Status</b>	Show the printer supplies status and provides links for ordering supplies online.
<b>Device Information</b>	Show information about the currently selected printer, including the printer Service ID (if assigned), the firmware version (FW Version), the Serial Number, and the IP address.
<b>Commands</b>	Send special characters or print commands to the printer after the print job.  <b>NOTE:</b> This option is available only after you open the <b>View</b> menu and select the <b>Show Advanced Options</b> item.
<b>Color Usage</b>  (Color printers only)	Show information about color jobs that the printer has produced.

Item	Description
<b>File Upload</b>	Transfer files from the computer to the printer. You can upload the following types of files: <ul style="list-style-type: none"> <li>HP LaserJet printer command language (.PRN)</li> <li>Portable document format (.PDF)</li> <li>Postscript (.PS)</li> <li>Text (.TXT)</li> </ul>
<b>Power Management</b>	Configure the printer economy settings.
<b>Update Firmware</b>	Transfer a firmware update file to the printer. <b>NOTE:</b> This option is available only after you open the <b>View</b> menu and select the <b>Show Advanced Options</b> item.
<b>HP Connected</b>	Access the HP Connected Web site.
<b>Upload Fonts</b>	Upload fonts from the computer to the printer.
<b>Message Center</b>	Display error events that have occurred with the printer.
<b>Duplex Mode</b>	Turn on the automatic two-sided printing mode.
<b>Network Settings</b> (Network-connected printers only)	Configure the network settings, such as the IPv4 settings, IPv6 settings, Bonjour settings, and other settings.
<b>Supplies Management</b>	Configure how the printer should behave when supplies are nearing the end of their estimated life.
<b>Trays Configuration</b>	Change paper size and type for each of the trays.
<b>Additional Settings</b>	Open the HP Embedded Web Server (EWS) for the printer. <b>NOTE:</b> USB connections are not supported.
Proxy Server Settings	Configure a proxy server for the printer.
<b>Basic Fax Settings</b> (MFP fax models only)	Set up the fields in the fax header and configure how the printer answers incoming calls.
<b>Fax Forwarding</b> (MFP fax models only)	Set up the printer to send the incoming faxes to a different number.
<b>Fax Logs</b> (MFP fax models only)	View the logs of all faxes.
<b>Fax Speed Dials</b> (MFP fax models only)	Add fax numbers to the speed dial list.
<b>Junk Fax Blocking</b> (MFP fax models only)	Store the fax numbers you want to block.
<b>Scan to E-mail</b> (MFP printers only)	Open the HP Embedded Web Server (EWS) page for configuring settings for scanning to email.
<b>Scan to Network Folder</b> (MFP printers only)	Open the HP Embedded Web Server (EWS) page for configuring settings for scanning to a network folder.

# Configure IP network settings

- [Introduction](#)
- [Printer sharing disclaimer](#)
- [View or change network settings](#)
- [Rename the printer on a network](#)
- [Manually configure IPv4 TCP/IP parameters from the control panel](#)
- [Link speed and duplex settings](#)

## Introduction

Use the following sections to configure the printer network settings.

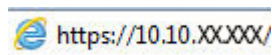
## Printer sharing disclaimer

HP does not support peer-to-peer networking, as the feature is a function of Microsoft operating systems and not of the HP printer drivers. Go to Microsoft at [www.microsoft.com](http://www.microsoft.com).

## View or change network settings

Use the HP Embedded Web Server to view or change IP configuration settings.

1. Open the HP Embedded Web Server (EWS):
  - a. On the printer control panel, press the **OK** button. Open the **Network Setup** menu, and then select **Show IP Address** to display the IP address or host name.
  - b. Open a Web browser, and in the address line, type the IP address or host name exactly as it displays on the printer control panel. Press the **Enter** key on the computer keyboard. The EWS opens.



 **NOTE:** If the Web browser displays a **There is a problem with this website's security certificate** message when attempting to open the EWS, click **Continue to this website (not recommended)**.

Choosing **Continue to this website (not recommended)** will not harm the computer while navigating within the EWS for the HP printer.

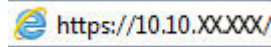
2. Click the **Networking** tab to obtain network information. Change settings as needed.

## Rename the printer on a network

To rename the printer on a network so that it can be uniquely identified, use the HP Embedded Web Server.

1. Open the HP Embedded Web Server (EWS):
  - a. On the printer control panel, press the **OK** button. Open the **Network Setup** menu, and then select **Show IP Address** to display the IP address or host name.

- b. Open a Web browser, and in the address line, type the IP address or host name exactly as it displays on the printer control panel. Press the **Enter** key on the computer keyboard. The EWS opens.



 **NOTE:** If the Web browser displays a **There is a problem with this website's security certificate** message when attempting to open the EWS, click **Continue to this website (not recommended)**.

Choosing **Continue to this website (not recommended)** will not harm the computer while navigating within the EWS for the HP printer.

2. Open the **System** tab.
3. On the **Device Information** page, the default printer name is in the **Device Description** field. You can change this name to uniquely identify this printer.

 **NOTE:** Completing the other fields on this page is optional.

4. Click the **Apply** button to save the changes.

## Manually configure IPv4 TCP/IP parameters from the control panel


Use the control-panel menus to manually set an IPv4 address, subnet mask, and default gateway.

1. On the printer control panel, press the **OK** button.
2. Open the following menus:
  - **Network Setup**
  - **IPv4 Config Method**
  - **Manual**
3. Use the arrow keys and the **OK** button to enter the IP address, subnet mask, and default gateway, and then touch the **OK** button to save the changes.

## Link speed and duplex settings

 **NOTE:** This information applies only to Ethernet networks. It does not apply to wireless networks.

The link speed and communication mode of the print server must match the network hub. For most situations, leave the printer in automatic mode. Incorrect changes to the link speed and duplex settings might prevent the printer from communicating with other network devices. To make changes, use the printer control panel.

 **NOTE:** The printer setting must match the setting for the network device (a network hub, switch, gateway, router, or computer).

 **NOTE:** Making changes to these settings causes the printer to turn off and then on. Make changes only when the printer is idle.

1. On the printer control panel, press the **OK** button.
2. Open the following menus:
  - **Network Setup**
  - **Link Speed**

3. Select one of the following options:
  - **Automatic:** The print server automatically configures itself for the highest link speed and communication mode allowed on the network.
  - **10T Full:** 10 megabytes per second (Mbps), full-duplex operation
  - **10T Half:** 10 Mbps, half-duplex operation
  - **100TX Full:** 100 Mbps, full-duplex operation
  - **100TX Half:** 100 Mbps, half-duplex operation
  - **1000T Full:** 1000 Mbps, full-duplex operation
4. Press the **OK** button. The printer turns off and then on.

# Printer security features

## Introduction

The printer includes several security features to restrict who has access to configuration settings, to secure data, and to prevent access to valuable hardware components.

- [Assign or change the system password using the HP Embedded Web Server](#)
- [Lock the formatter](#)

## Assign or change the system password using the HP Embedded Web Server

Assign an administrator password for access to the printer and the HP Embedded Web Server so that unauthorized users cannot change the printer settings.

1. Open the HP Embedded Web Server (EWS):
  - a. On the printer control panel, press the **OK** button. Open the **Network Setup** menu, and then select **Show IP Address** to display the IP address or host name.
  - b. Open a Web browser, and in the address line, type the IP address or host name exactly as it displays on the printer control panel. Press the **Enter** key on the computer keyboard. The EWS opens.



 **NOTE:** If the Web browser displays a **There is a problem with this website's security certificate** message when attempting to open the EWS, click **Continue to this website (not recommended)**.

Choosing **Continue to this website (not recommended)** will not harm the computer while navigating within the EWS for the HP printer.

2. On the **System** tab, click the **Administration** link in the left navigation pane.
3. In the area labeled **Product Security**, enter the password in the **Password** field.
4. Re-enter the password in the **Confirm Password** field.
5. Click the **Apply** button.

 **NOTE:** Make note of the password and store it in a safe place.

## Lock the formatter

The formatter has a slot that you can use to attach a security cable. Locking the formatter prevents someone from removing valuable components from it.

# Energy-conservation settings

- [Introduction](#)
- [Print with EconoMode](#)
- [Set the Sleep/Auto Off After setting](#)
- [Set the Shut Down After delay and configure the printer to use 1 watt or less of power](#)
- [Set the Delay Shut Down setting](#)

## Introduction

The printer includes several economy features to conserve energy and supplies.

## Print with EconoMode

This printer has an EconoMode option for printing drafts of documents. Using EconoMode can use less toner. However, using EconoMode can also reduce print quality.

HP does not recommend the full-time use of EconoMode. If EconoMode is used full-time, the toner supply might outlast the mechanical parts in the toner cartridge. If print quality begins to degrade and is no longer acceptable, consider replacing the toner cartridge.

---

 **NOTE:** If this option is not available in your print driver, you can set it using the HP Embedded Web Server.

---

1. From the software program, select the **Print** option.
2. Select the printer, and then click the **Properties** or **Preferences** button.
3. Click the **Paper/Quality** tab.
4. Click the **EconoMode** check box.

## Set the Sleep/Auto Off After setting

Use the control panel menus to set the amount of idle time before the printer enters sleep mode.

Complete the following procedure to change the Sleep/Auto Off After setting:

1. On the printer control panel, press the **OK** button.
2. Open the following menus:
  - **System Setup**
  - **Energy Settings**
  - **Sleep/Auto Off After**
3. Use the arrow keys to select the time for the Sleep/Auto Off delay, and then press the **OK** button.

## Set the Shut Down After delay and configure the printer to use 1 watt or less of power

Use the control panel menus to set the amount of time before the printer shuts down.

---

 **NOTE:** After the printer shuts down, the power consumption is 1 watt or less.

---



Complete the following procedure to change the Shut Down After Delay setting:

1. On the printer control panel, press the **OK** button.
2. Open the following menus:
  - **System Setup**
  - **Energy Settings**
  - **Shut Down After**
3. Select the time for the Shut Down After delay.



---

**NOTE:** The default value is **4 hours**.

---

## Set the Delay Shut Down setting

Use the control panel menus to select whether or not the printer delays shutting down after the power button is pressed.

Complete the following procedure to change the Delay Shut Down setting:

1. On the printer control panel, touch the **OK** button.
2. Open the following menus:
  - **System Setup**
  - **Energy Settings**
  - **Delay Shut Down**
3. Select one of the delay options:
  - **No Delay:** The printer shuts down after a period of inactivity determined by the Shut Down After setting.
  - **When Ports Are Active:** When this option is selected the printer will not shut down unless all ports are inactive. An active network link or fax connection will prevent the printer from shutting down.

## HP Web Jetadmin

HP Web Jetadmin is an award-winning, industry-leading tool for efficiently managing a wide variety of networked HP products, including printers, multifunction printers, and digital senders. This single solution allows you to remotely install, monitor, maintain, troubleshoot, and secure your printing and imaging environment — ultimately increasing business productivity by helping you save time, control costs, and protect your investment.

HP Web Jetadmin upgrades are periodically made available to provide support for specific product features. Go to [www.hp.com/go/webjetadmin](http://www.hp.com/go/webjetadmin) for more information.

# Update the firmware

HP offers periodic printer updates, new Web Services apps, and new features to existing Web Services apps. Follow these steps to update the printer firmware for a single printer. When you update the firmware, Web Service apps will update automatically.

There are two supported methods to perform a firmware update on this printer. Use only one of the following methods to update the printer firmware.

## Method one: Update the firmware using the control panel

Use these steps to load the firmware from the control panel (for network-connected printers only), and/or set the printer to automatically load future firmware updates. For USB-connected printers, skip to method two.

1. Make sure the printer is connected to a wired (Ethernet) or wireless network with an active Internet connection.


---

 **NOTE:** The printer must be connected to the internet to update the firmware via a network connection.

---

2. On the printer control panel, press the **OK** button to open the **Setup** menu.
3. Scroll to and open the **Service** menu, and then open the **LaserJet Update** menu.


---

 **NOTE:** If the **LaserJet Update** option is not listed, use method two.

---

4. Select **Check for Update** to check for updates.

---

 **NOTE:** The printer automatically checks for an update, and if a newer version is detected, the update process automatically starts.

---

5. Set the printer to automatically update the firmware when updates become available.

On the printer control panel, press the **OK** button to open the **Setup** menu.


Scroll to and open the **Service** menu, open the **LaserJet Update** menu, and then select the **Manage Updates** menu.

Set the **Allow Updates** option to **YES**, and then set the **Automatic Check** option to **ON**.

## Method two: Update the firmware using the Firmware Update Utility

Use these steps to manually download and install the Firmware Update Utility from HP.com.

---

 **NOTE:** This method is the only firmware update option available for printers connected to the computer via a USB cable. It also works for printers connected to a network.

---

 **NOTE:** You must have a print driver installed in order to use this method.

---

1. Go to [www.hp.com/go/support](http://www.hp.com/go/support), click the **Drivers & Software** link, type the printer name in the search field, press the **ENTER** button, and then select the printer from the list of search results.
2. Select the operating system.
3. Under the **Firmware** section, locate the **Firmware Update Utility**.
4. Click **Download**, click **Run**, and then click **Run** again.
5. When the utility launches, select the printer from the drop-down list, and then click **Send Firmware**.



---

**NOTE:** To print a configuration page to verify the installed firmware version before or after the update process, click **Print Config**.

---

6. Follow the on-screen instructions to complete the installation, and then click the **Exit** button to close the utility.

---

## 6 Solve problems

- [Customer support](#)
- [Restore the factory-set defaults](#)
- [A “Cartridge is low” or “Cartridge is very low” message displays on the printer control panel](#)
- [Printer does not pick up paper or misfeeds](#)
- [Clear paper jams](#)
- [Improve print quality](#)
- [Solve wired network problems](#)
- [Solve wireless network problems \(wireless models only\)](#)

### For more information:

The following information is correct at the time of publication. For current information, see [www.hp.com/support/ljM402](http://www.hp.com/support/ljM402), [www.hp.com/support/ljM403](http://www.hp.com/support/ljM403).

HP's all-inclusive help for the printer includes the following information:

- Install and configure
- Learn and use
- Solve problems
- Download software and firmware updates
- Join support forums
- Find warranty and regulatory information

# Customer support

---


Get telephone support for your country/region	Country/region phone numbers are on the flyer that was in the box with the printer or at <a href="http://www.hp.com/support/">www.hp.com/support/</a> .
Have the printer name, serial number, date of purchase, and problem description ready	
Get 24-hour Internet support, and download software utilities and drivers	<a href="http://www.hp.com/support/ljM402">www.hp.com/support/ljM402</a> , <a href="http://www.hp.com/support/ljM403">www.hp.com/support/ljM403</a>
Order additional HP service or maintenance agreements	<a href="http://www.hp.com/go/carepack">www.hp.com/go/carepack</a>
Register the printer	<a href="http://www.register.hp.com">www.register.hp.com</a>

---

## Restore the factory-set defaults

Restoring the factory-set defaults returns all of the printer and network settings to the factory defaults. It will not reset the page count, or tray size. To restore the printer to the factory-default settings, follow these steps.

---

 **CAUTION:** Restoring the factory-set defaults returns all of the settings to the factory defaults, and it also deletes any pages that are stored in the memory.

---

1. On the printer control panel, press the **OK** button.
2. Select **Service**.
3. Select the **Restore Defaults** option, and then press the **OK** button.

The printer automatically restarts.

# A “Cartridge is low” or “Cartridge is very low” message displays on the printer control panel

**Cartridge is low:** The printer indicates when a toner cartridge level is low. Actual toner cartridge life remaining may vary. Consider having a replacement available to install when print quality is no longer acceptable. The toner cartridge does not need to be replaced now.

Continue printing with the current cartridge until redistributing the toner no longer yields acceptable print quality. To redistribute the toner, remove the toner cartridge from the printer and gently rock the cartridge back and forth about its horizontal axis. For graphical representation, see cartridge replacement instructions. Reinsert the toner cartridge into the printer and close the cover.

**Cartridge is very low:** The printer indicates when the toner cartridge level is very low. Actual toner cartridge life remaining may vary. Consider having a replacement available to install when print quality is no longer acceptable. The toner cartridge does not need to be replaced now unless the print quality is no longer acceptable.

Once an HP toner cartridge has reached **Very Low**, HP’s Premium Protection Warranty on that toner cartridge has ended.

## Change the “Very Low” settings

You can change the way the printer reacts when supplies reach the Very Low state. You do not have to re-establish these settings when you install a new toner cartridge.

1. On the printer control panel, press the **OK** button.
2. Open the following menus:
  - **System Setup**
  - **Supply Settings**
  - **Black Cartridge** or **Color Cartridges**
  - **Very Low Setting**
3. Select one of the following options:
  - Select the **Continue** option to set the printer to alert you that the toner cartridge is very low, but to continue printing.
  - Select the **Stop** option to set the printer to stop printing until you replace the toner cartridge.
  - Select the **Prompt** option to set the printer to stop printing and prompt you to replace the toner cartridge. You can acknowledge the prompt and continue printing. A customer configurable option on this printer is “Prompt to Remind Me in 100 pages, 200 pages, 300 pages, 400 pages, or never.” This option is provided as a customer convenience and is not an indication these pages will have acceptable print quality.

## Order supplies

---

Order supplies and paper

[www.hp.com/go/suresupply](http://www.hp.com/go/suresupply)

---



---

Order through service or support providers	Contact an HP-authorized service or support provider.
Order using the HP Embedded Web Server (EWS)	To access, in a supported Web browser on your computer, enter the printer IP address or host name in the address/URL field. The EWS contains a link to the HP SureSupply Web site, which provides options for purchasing Original HP supplies.

---

# Printer does not pick up paper or misfeeds

## Introduction

The following solutions can help solve problems if the printer is not picking up paper from the tray or is picking up multiple sheets of paper at one time. Either of these situations can result in paper jams.

- [The printer does not pick up paper](#)
- [The printer picks up multiple sheets of paper](#)

## The printer does not pick up paper

If the printer does not pick up paper from the tray, try these solutions.

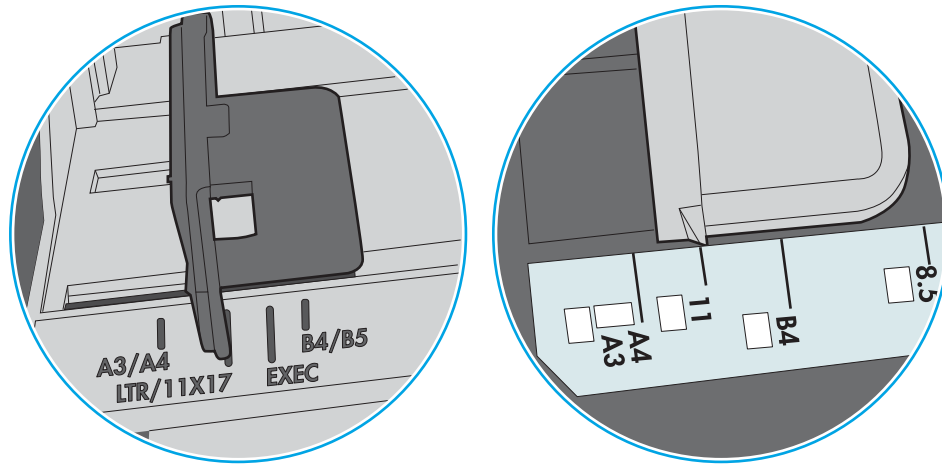
1. Open the printer and remove any jammed sheets of paper. Verify that no torn remnants of paper remain inside the printer.
2. Load the tray with the correct size of paper for the job.
3. Make sure the paper size and type are set correctly on the printer control panel.

4. Make sure the paper guides in the tray are adjusted correctly for the size of paper. Adjust the guides to the appropriate indentation in the tray. The arrow on the tray guide should line up exactly with the marking on the tray.

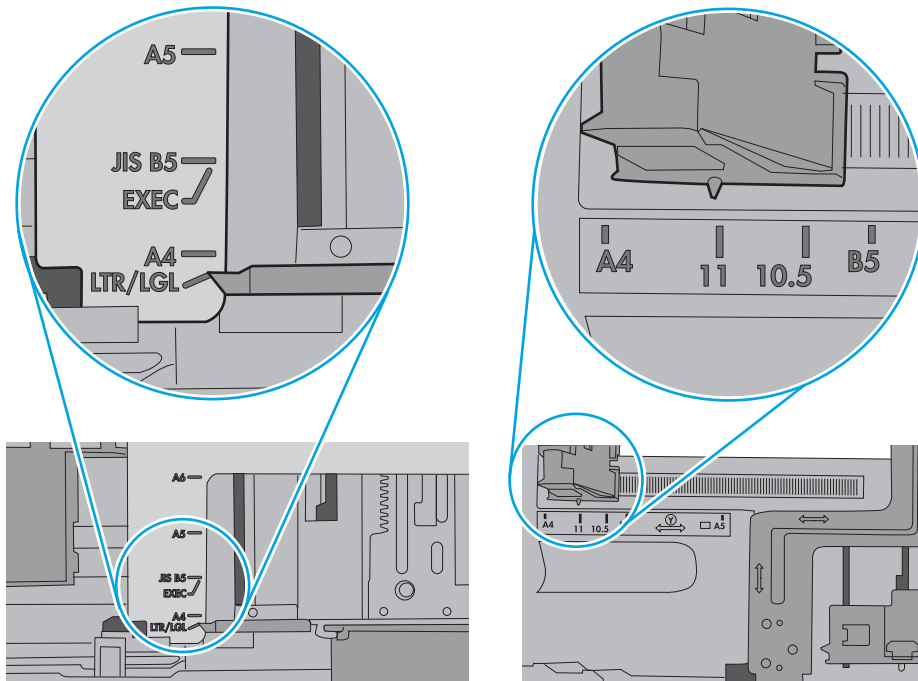
 **NOTE:** Do not adjust the paper guides tightly against the paper stack. Adjust them to the indentations or markings in the tray.

The following images show examples of the paper-size indentations in the trays for various printers. Most HP printers have markings similar to these.

**Figure 6-1** Size markings for Tray 1 or the multipurpose tray



**Figure 6-2** Size markings for cassette trays

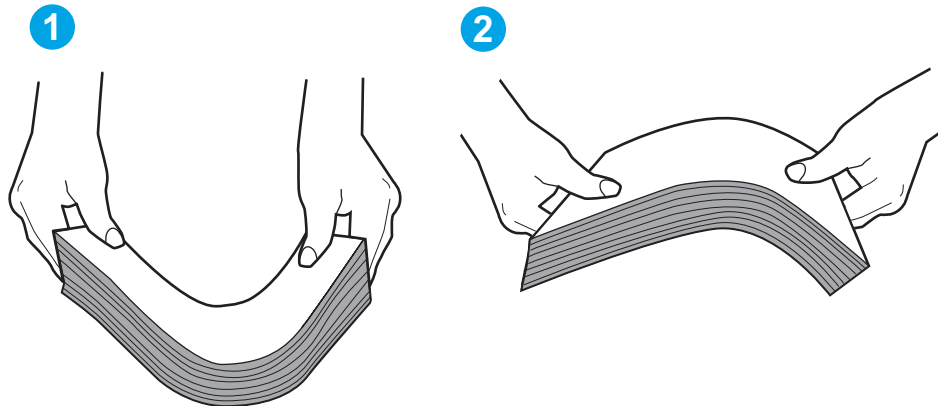


5. Verify that the humidity in the room is within specifications for this printer and that paper is being stored in unopened packages. Most reams of paper are sold in moisture-proof wrapping to keep paper dry.

In high-humidity environments, paper at the top of the stack in the tray can absorb moisture, and it might have a wavy or uneven appearance. If this happens, remove the top 5 to 10 sheets of paper from the stack.

In low-humidity environments, excess static electricity can cause sheets of paper to stick together. If this happens, remove the paper from the tray, and flex the stack by holding it at each end and bringing the ends up to form a U shape. Then, rotate the ends down to reverse the U shape. Next, hold each side of the stack of paper, and repeat this process. This process releases individual sheets without introducing static electricity. Straighten the paper stack against a table before returning it to the tray.

**Figure 6-3** Technique for flexing the paper stack



6. Check the printer control panel to see if it is displaying a prompt to feed the paper manually. Load paper, and continue.
7. The rollers above the tray might be contaminated. Clean the rollers with a lint-free cloth dampened with warm water. Use distilled water, if it is available.

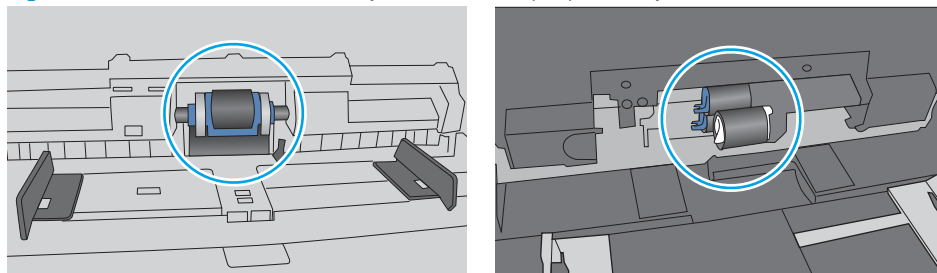
---

**CAUTION:** Do not spray water directly on to the printer. Instead, spray water on the cloth or dab the cloth in water and wring it out before cleaning the rollers.

---

The following image shows examples of the roller location for various printers.

**Figure 6-4** Roller locations for Tray 1 or the multipurpose tray




## The printer picks up multiple sheets of paper

If the printer picks up multiple sheets of paper from the tray, try these solutions.

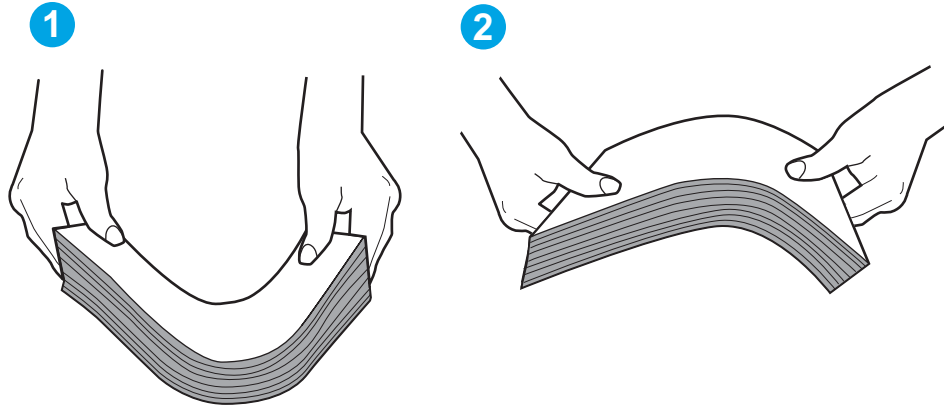
1. Remove the stack of paper from the tray and flex it, rotate it 180 degrees, and flip it over. *Do not fan the paper.* Return the stack of paper to the tray.

---

 **NOTE:** Fanning the paper introduces static electricity. Instead of fanning the paper, flex the stack by holding it at each end and bringing the ends up to form a U shape. Then, rotate the ends down to reverse the U shape. Next, hold each side of the stack of paper, and repeat this process. This process releases individual sheets without introducing static electricity. Straighten the paper stack against a table before returning it to the tray.

---

**Figure 6-5** Technique for flexing the paper stack

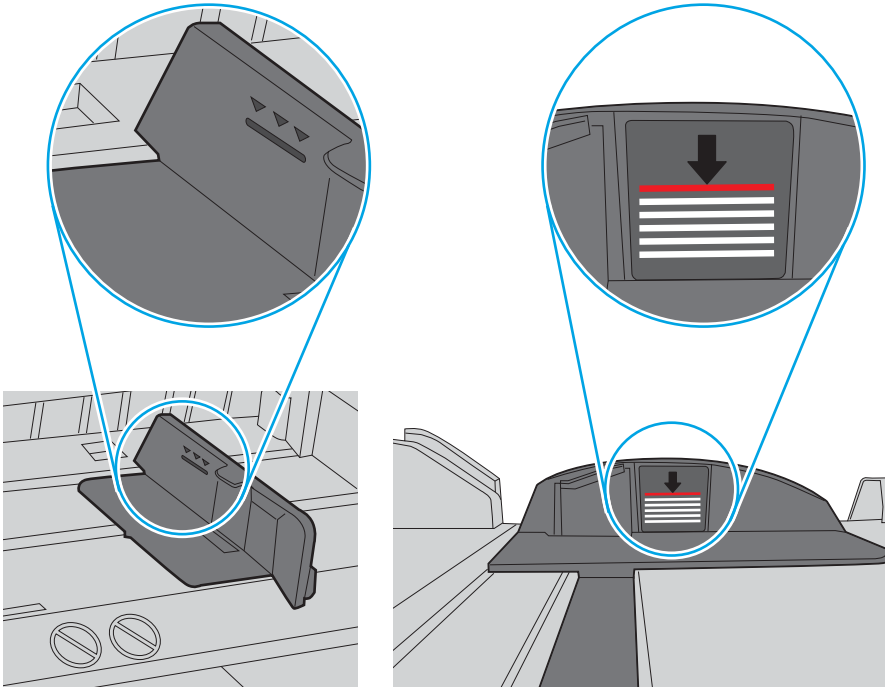


2. Use only paper that meets HP specifications for this printer.
3. Verify that the humidity in the room is within specifications for this printer, and that paper is being stored in unopened packages. Most reams of paper are sold in moisture-proof wrapping to keep paper dry.  
  
In high-humidity environments, paper at the top of the stack in the tray can absorb moisture, and it might have a wavy or uneven appearance. If this happens, remove the top 5 to 10 sheets of paper from the stack.  
  
In low-humidity environments, excess static electricity can cause sheets of paper to stick together. If this happens, remove the paper from the tray, and flex the stack as described above.
4. Use paper that is not wrinkled, folded, or damaged. If necessary, use paper from a different package.

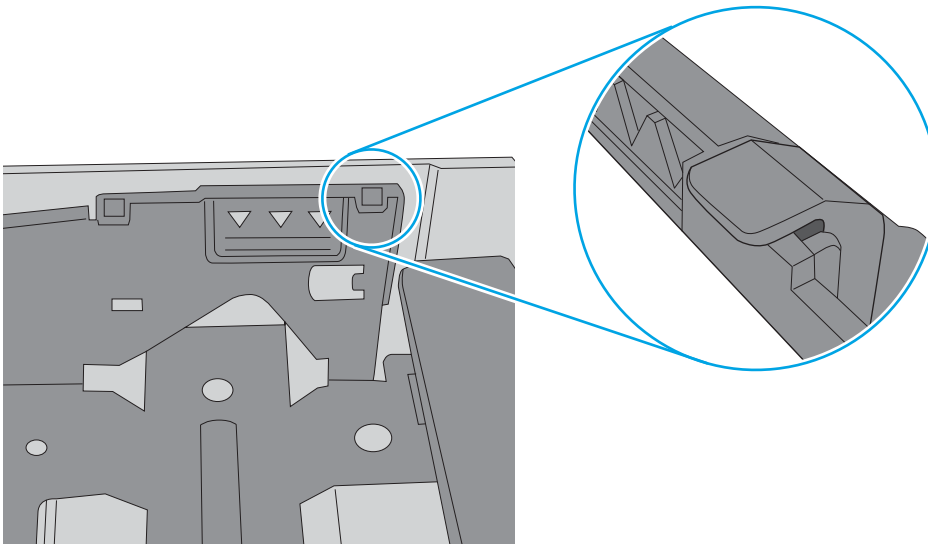
5. Make sure the tray is not overfilled by checking the stack-height markings inside the tray. If it is overfilled, remove the entire stack of paper from the tray, straighten the stack, and then return some of the paper to the tray.

The following images show examples of the stack-height markings in the trays for various printers. Most HP printers have markings similar to these. Also make sure that all sheets of paper are below the tabs near the stack-height marks. These tabs help hold the paper in the correct position as it enters the printer.

**Figure 6-6** Stack-height markings



**Figure 6-7** Tab for the paper stack

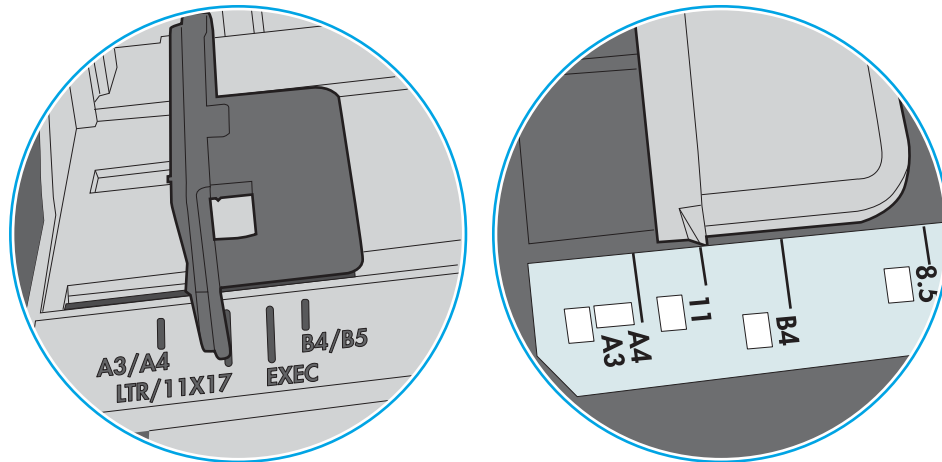


6. Make sure the paper guides in the tray are adjusted correctly for the size of paper. Adjust the guides to the appropriate indentation in the tray. The arrow on the tray guide should line up exactly with the marking on the tray.

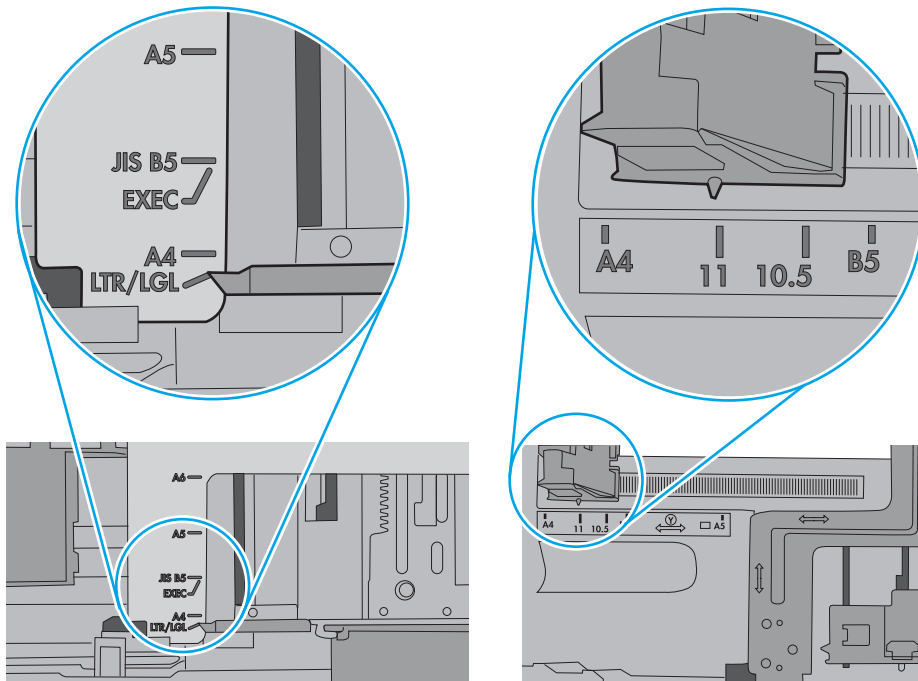
 **NOTE:** Do not adjust the paper guides tightly against the paper stack. Adjust them to the indentations or markings in the tray.

The following images show examples of the paper-size indentations in the trays for various printers. Most HP printers have markings similar to these.

**Figure 6-8** Size markings for Tray 1 or the multipurpose tray



**Figure 6-9** Size markings for cassette trays



7. Make sure the printing environment is within recommended specifications.

# Clear paper jams

## Introduction

The following information includes instructions for clearing paper jams from the printer.

- [Experiencing frequent or recurring paper jams?](#)
- [Jam locations](#)
- [Clear paper jams in Tray 1](#)
- [Clear paper jams in Tray 2](#)
- [Clear paper jams in Tray 3](#)
- [Clear paper jams in the fuser](#)
- [Clear paper jams in the output bin](#)
- [Clear paper jams in the duplexer](#)

## Experiencing frequent or recurring paper jams?

Follow these steps to solve problems with frequent paper jams. If the first step does not resolve the problem continue with the next step until you have resolved the problem.

1. If paper has jammed in the printer, clear the jam and then print a configuration page to test the printer.
2. Check that the tray is configured for the correct paper size and type on the printer control panel. Adjust paper settings if necessary.
  - a. On the printer control panel, press the **OK** button.
  - b. Open the following menus:
    - **System Setup**
    - **Paper Setup**
  - c. Select the tray from the list.
  - d. Select **Paper Type** and then select the type of paper that is in the tray.
  - e. Select **Paper Size** and then select the size of paper that is in the tray.
3. Turn the printer off, wait 30 seconds, and then turn it on again.
4. Print a cleaning page to remove excess toner from inside the printer.
  - a. On the printer control panel, press the **OK** button.
  - b. Open the following menus:



- Service
- Cleaning Page

c. Load plain letter or A4 paper when you are prompted, and then press the **OK** button.

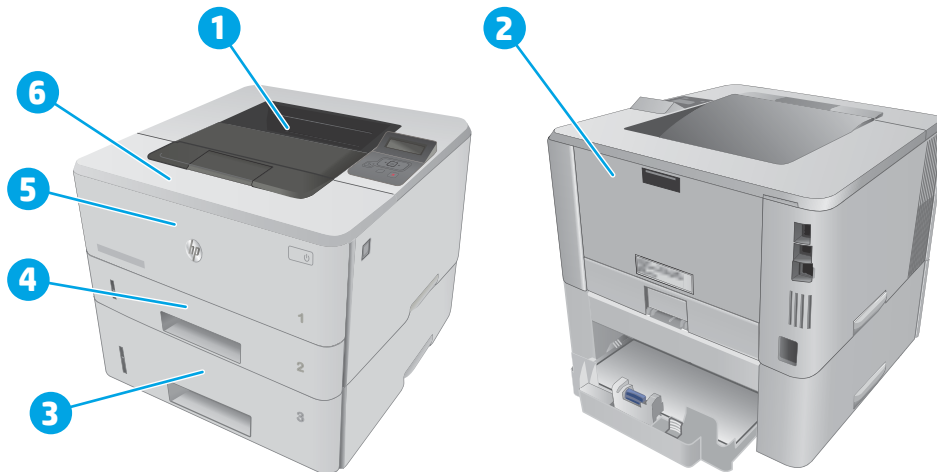
A **Cleaning** message displays on the printer control panel. Wait until the process is complete. Discard the page that prints.

5. Print a configuration page to test the printer.
  - a. On the printer control panel, press the **OK** button.
  - b. Open the **Reports** menu.
  - c. Select **Configuration Report**.

If none of these steps resolves the problem, the printer might need service. Contact HP customer support.

## Jam locations

Jams can occur in these locations:



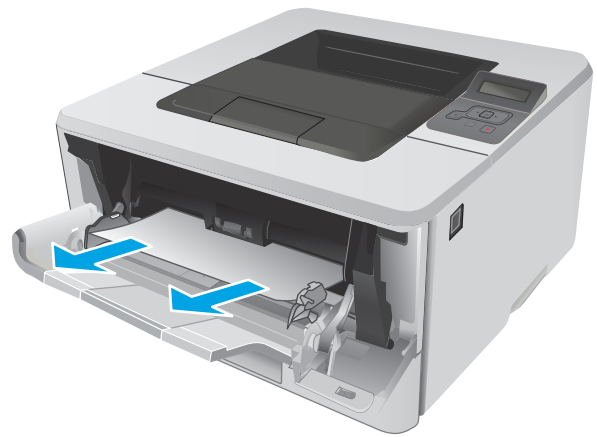
1	Output bin
2	Fuser area
3	Tray 3 (optional)
4	Tray 2 Duplexing area (remove Tray 2 for access)
5	Tray 1
6	Toner cartridge area (open the front door for access)

Loose toner might remain in the printer after a jam. This problem typically resolves itself after a few sheets have been printed.

## Clear paper jams in Tray 1

Use the following procedure to clear paper jams in Tray 1.

1. Slowly pull the jammed paper out of the printer.



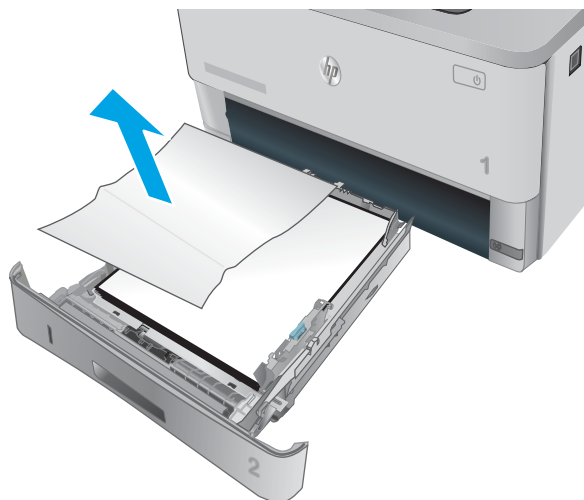
## Clear paper jams in Tray 2

Use the following procedure to check for paper in all possible jam locations related to Tray 2.

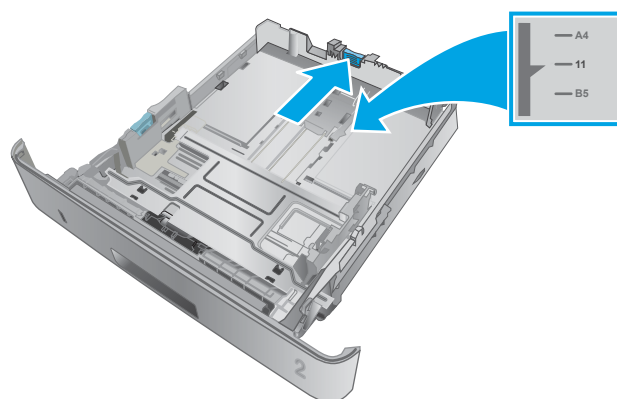
1. Remove the tray from the printer.



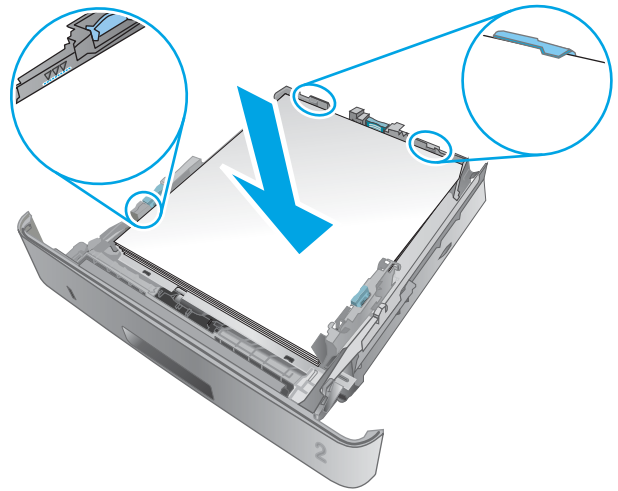
2. Remove the paper from the tray, and discard any damaged paper.



3. Verify that the rear paper guide is adjusted to the indentation for the correct paper size. If necessary, pinch the release and move the rear paper guide to the correct position. It should click into place.



4. Load the paper into the tray. Make sure that the stack is flat at all four corners and that the top of the stack is below the maximum-height indicators.



5. Reinsert and close the tray.



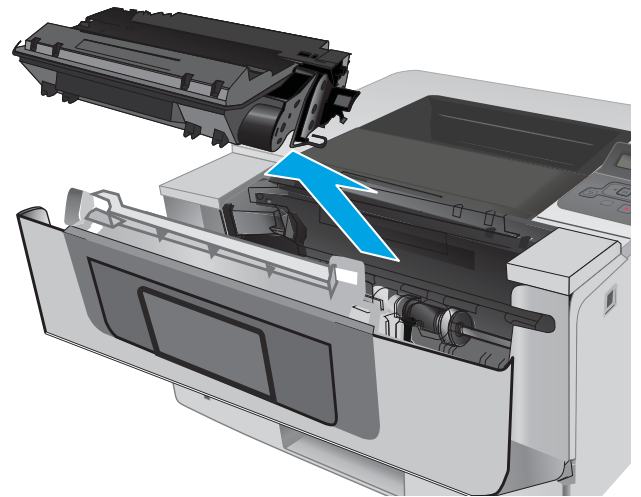
6. Press the front-door-release button.



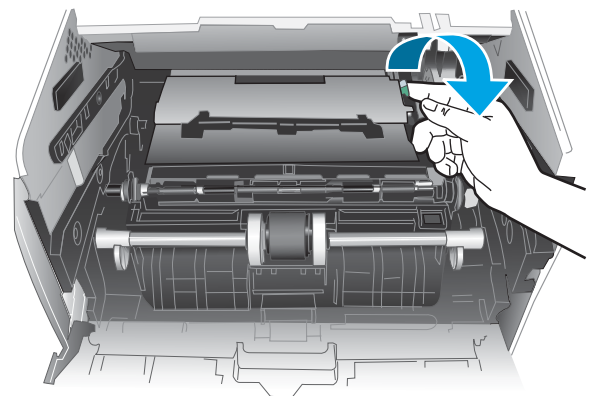
7. Open the front door.



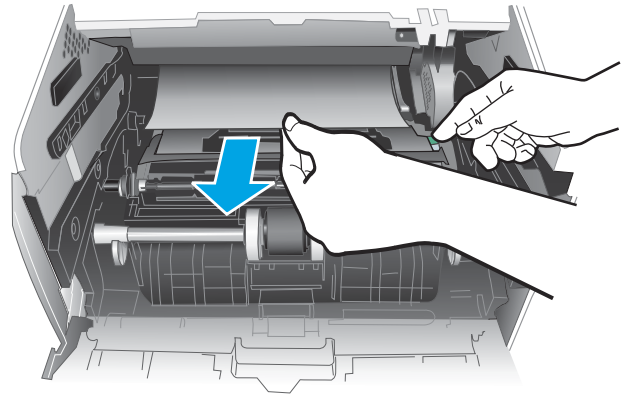
8. Remove the toner cartridge.



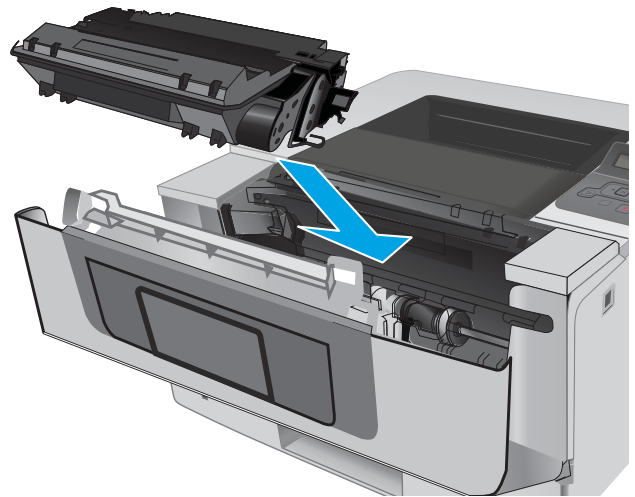
9. Lift the jam-access cover.



10. Remove any jammed paper.



11. Install the toner cartridge.



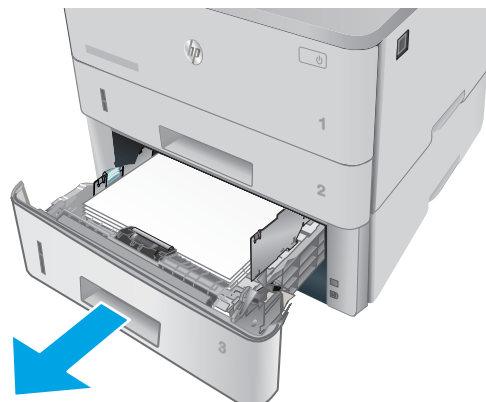
12. Close the front door.



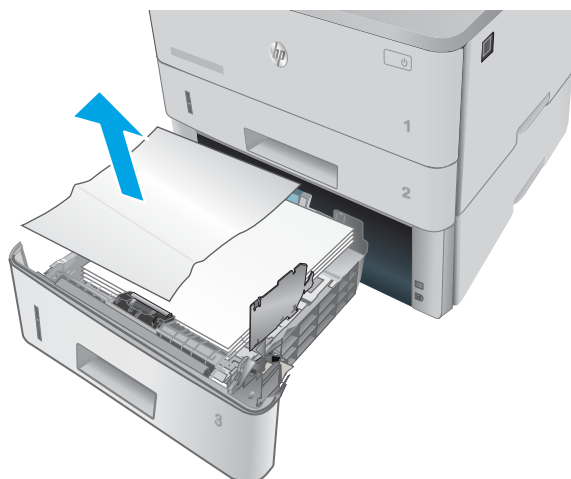
## Clear paper jams in Tray 3

Use the following procedure to check for paper in all possible jam locations related to Tray 3.

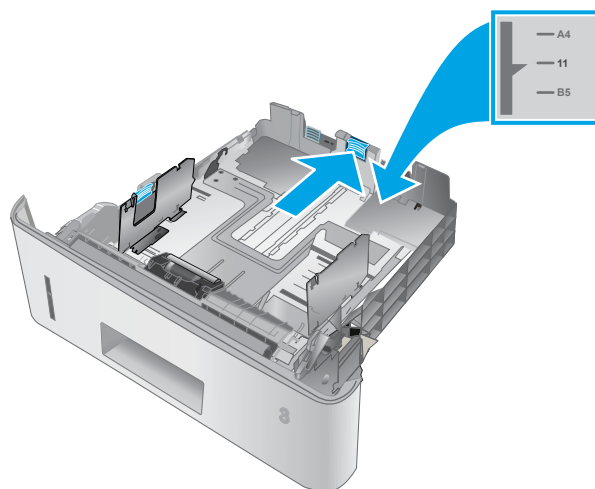
1. Remove the tray from the printer.



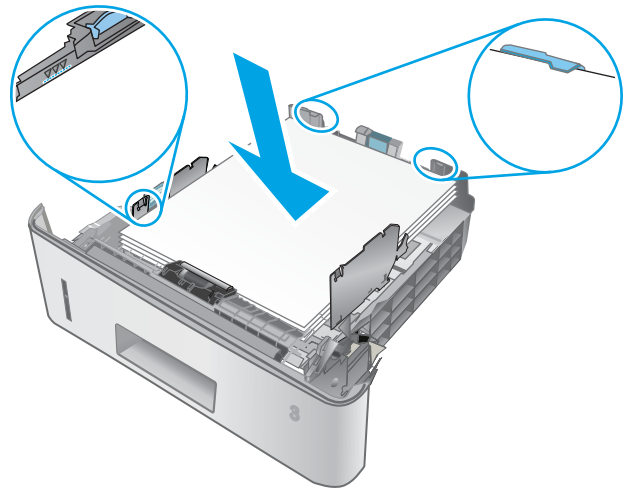
2. Remove the paper from the tray, and discard any damaged paper.



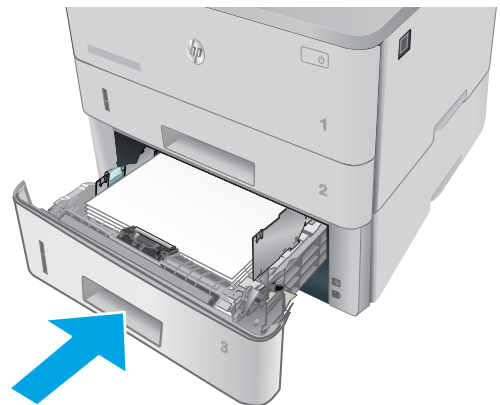
3. Verify that the rear paper guide is adjusted to the indentation for the correct paper size. If necessary, pinch the release and move the rear paper guide to the correct position. It should click into place.



4. Load the paper into the tray. Make sure that the stack is flat at all four corners and that the top of the stack is below the maximum-height indicators.



5. Reinsert and close the tray.



6. Press the front-door-release button.

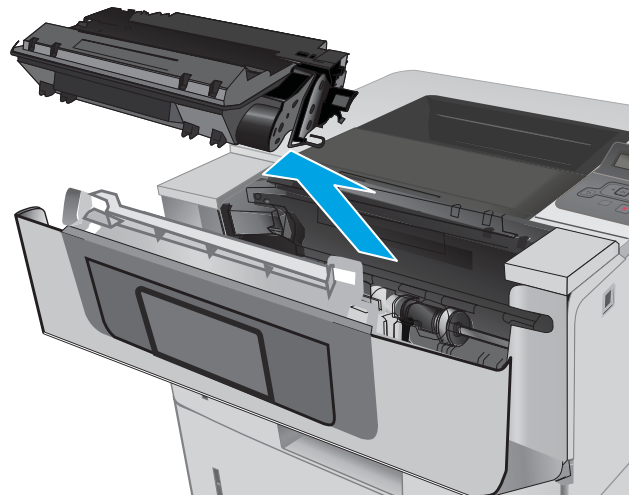




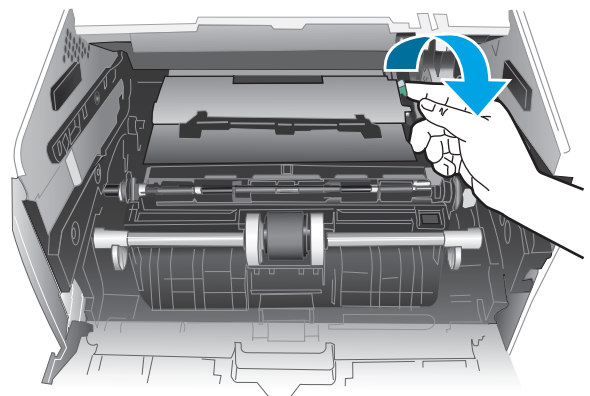
7. Open the front door.



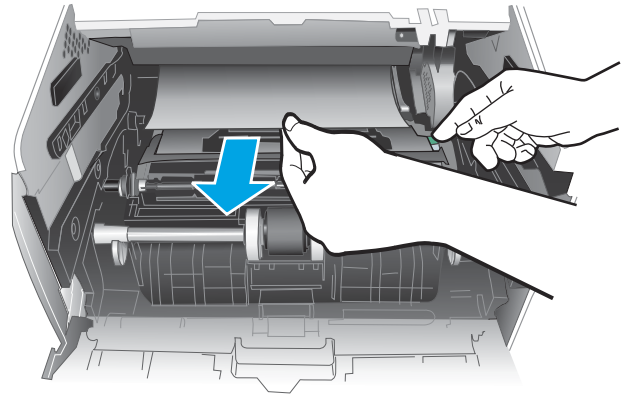
8. Remove the toner cartridge.



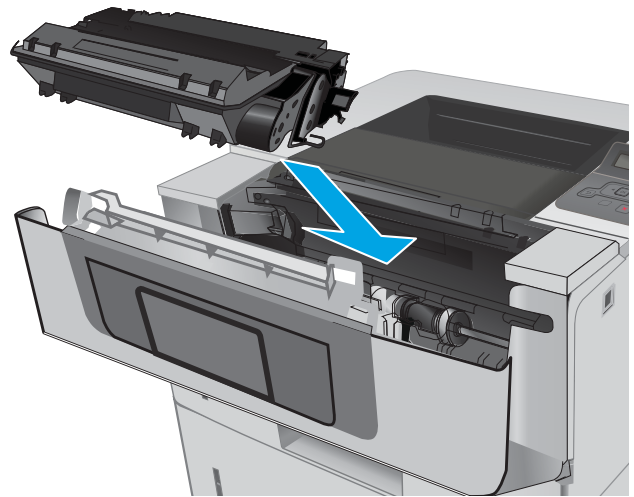
9. Lift the jam-access cover.



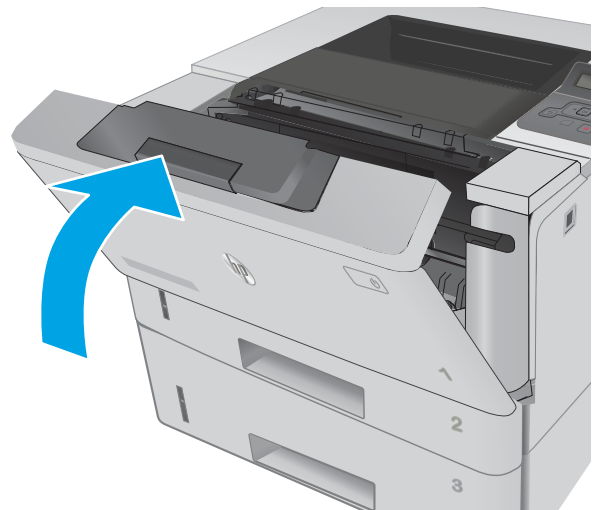
10. Remove any jammed paper.



11. Install the toner cartridge.



12. Close the front door.



## Clear paper jams in the fuser

Use the following procedure to check for paper in all possible jam locations in the fuser area.

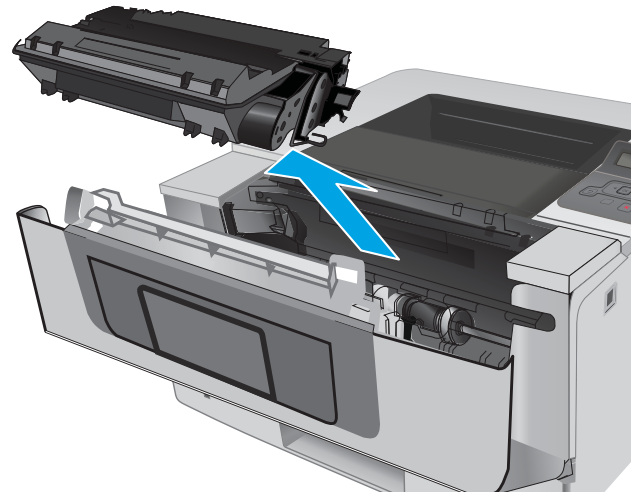
1. Press the front-door-release button.



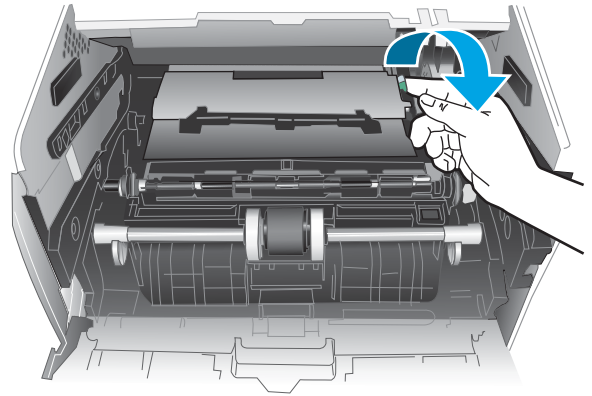
2. Open the front door.



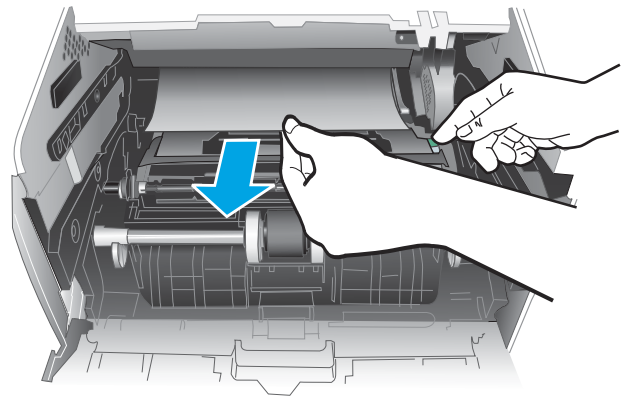
3. Remove the toner cartridge.



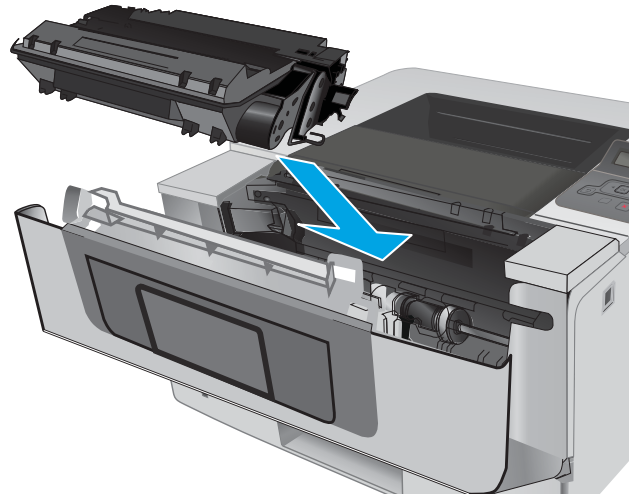
4. Lift the jam-access cover.



5. Remove any jammed paper.



6. Install the toner cartridge.



7. Close the front door.



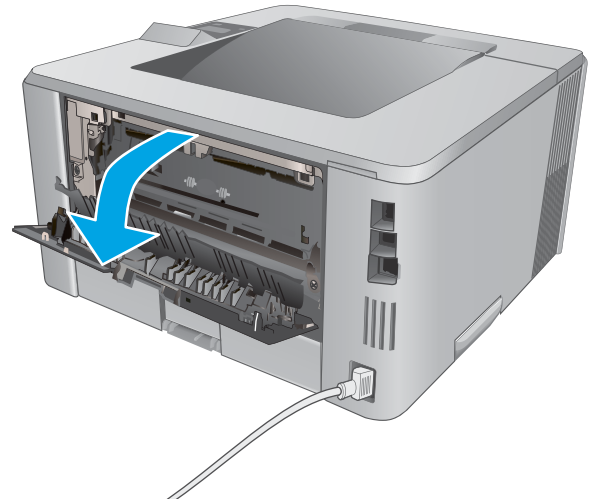
## Clear paper jams in the output bin

Use the following procedure to check for paper in all possible jam locations in the output bin.

1. If paper is visible in the output bin, grasp the leading edge and remove it.



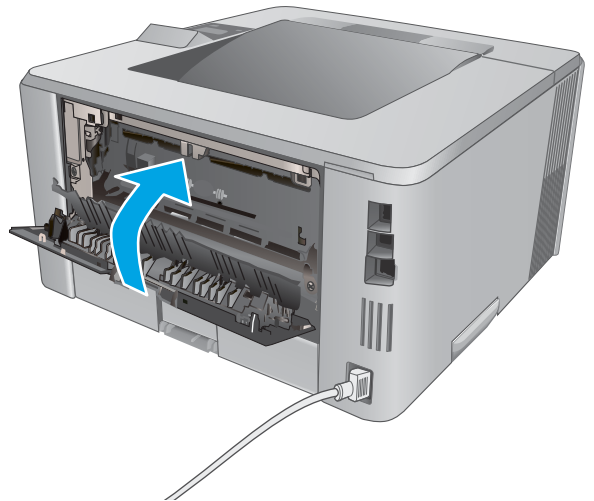
2. Open the rear door.



3. Remove any jammed paper from the rear door area.



4. Close the rear door.



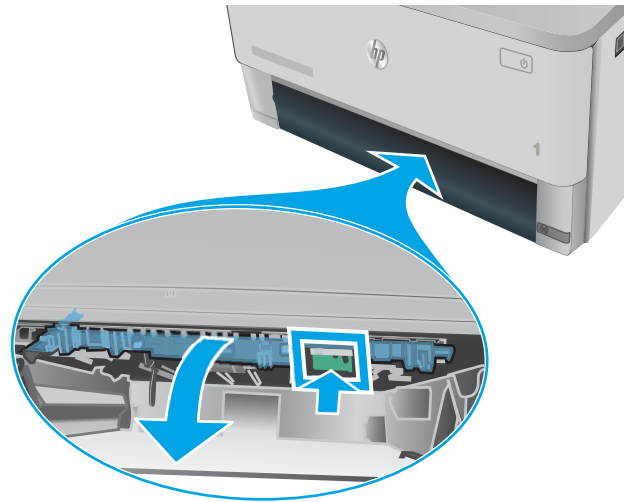
## Clear paper jams in the duplexer

Use the following procedure to check for paper in all possible jam locations in the automatic duplexer.

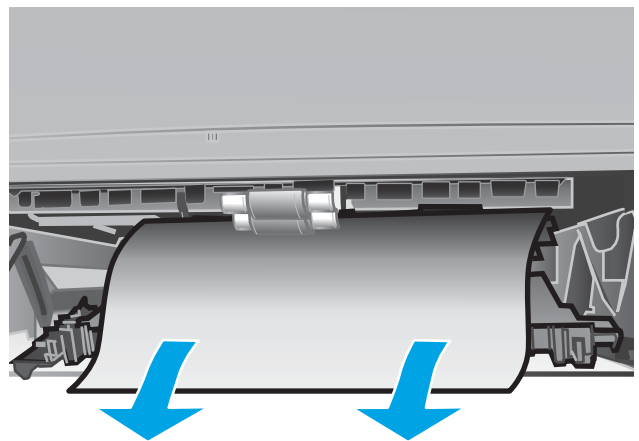
1. Completely remove Tray 2 from the printer.



2. Push the green button to release the duplex pan.

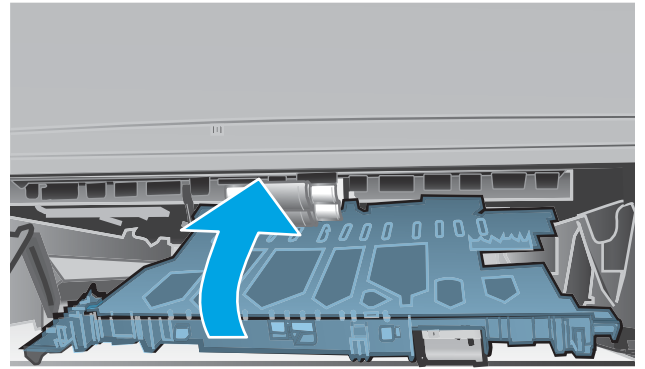


3. Remove any jammed paper.





4. Close the duplex pan.



5. Reinsert Tray 2.



# Improve print quality

## Introduction

- [Print from a different software program](#)
- [Check the paper-type setting for the print job](#)
- [Check the toner-cartridge status](#)
- [Clean the printer](#)
- [Visually inspect the toner cartridge](#)
- [Check paper and the printing environment](#)
- [Check the EconoMode settings](#)
- [Try a different print driver](#)

If the printer is having print-quality problems, try the following solutions in the order presented to resolve the issue.

## Print from a different software program

Try printing from a different software program. If the page prints correctly, the problem is with the software program from which you were printing.

## Check the paper-type setting for the print job

Check the paper type setting when printing from a software program and the printed pages have smears, fuzzy or dark print, curled paper, scattered dots of toner, loose toner, or small areas of missing toner.

### Check the paper type setting (Windows)

1. From the software program, select the **Print** option.
2. Select the printer, and then click the **Properties** or **Preferences** button.
3. Click the **Paper/Quality** tab.
4. From the **Paper Type** drop-down list, click the **More...** option.
5. Expand the list of **Type is:** options.
6. Expand the category of paper types that best describes your paper.
7. Select the option for the type of paper you are using, and click the **OK** button.
8. Click the **OK** button to close the **Document Properties** dialog box. In the **Print** dialog box, click the **OK** button to print the job.

### Check the paper type setting (OS X)

1. Click the **File** menu, and then click the **Print** option.
2. In the **Printer** menu, select the printer.

3. By default, the print driver displays the **Copies & Pages** menu. Open the menus drop-down list, and then click the **Finishing** menu.
4. Select a type from the **Media Type** drop-down list.
5. Click the **Print** button.

## Check the toner-cartridge status

Check the supplies status page for the following information:

- Estimated percentage of cartridge life remaining
- Approximate pages remaining
- Part numbers for HP toner cartridges
- Number of pages printed

Use the following procedure to print the supplies status page:

1. On the product control panel, press the **OK** button.
2. Scroll to the **Reports** menu, and then press the **OK** button.
3. Scroll to the **Supplies Status** option, and then press the **OK** button to print a report of the status of all supply items.
4. Check the percent of life remaining for the toner cartridge and if applicable, the status of other replaceable maintenance parts.

Print quality problems can occur when using a toner cartridge that is at its estimated end of life. The supplies status page indicates when a supply level is very low. After an HP supply has reached the very low threshold, HP's premium protection warranty on that supply has ended.

The toner cartridge does not need to be replaced now unless the print quality is no longer acceptable. Consider having a replacement available to install when print quality is no longer acceptable.

If you determine that you need to replace a toner cartridge or other replaceable maintenance parts, the supplies status page lists the genuine HP part numbers.

5. Check to see if you are using a genuine HP cartridge.

A genuine HP toner cartridge has the words "HP" on it, or has the HP logo on it. For more information on identifying HP cartridges go to [www.hp.com/go/learnaboutsupplies](http://www.hp.com/go/learnaboutsupplies).

HP cannot recommend the use of non-HP supplies, either new or remanufactured. Because they are not HP products, HP cannot influence their design or control their quality. If you are using a refilled or remanufactured toner cartridge and are not satisfied with the print quality, replace the toner cartridge with a genuine HP toner cartridge.

## Clean the printer

### Print a cleaning page

During the printing process paper, toner, and dust particles can accumulate inside the printer and can cause print-quality issues such as toner specks or spatter, smears, streaks, lines, or repeating marks.

Use the following procedure to print a cleaning page.

1. On the printer control panel, press the **OK** button.
2. Open the following menus:
  - **Service**
  - **Cleaning Page**
3. Load plain letter or A4 paper when you are prompted, and then press the **OK** button.

A **Cleaning** message displays on the printer control panel. Wait until the process is complete. Discard the page that prints.

### Visually inspect the toner cartridge

Follow these steps to inspect each toner cartridge.

1. Remove the toner cartridge from the printer.
2. Check the memory chip for damage.
3. Examine the surface of the green imaging drum.

---

 **CAUTION:** Do not touch the imaging drum. Fingerprints on the imaging drum can cause print-quality problems.

---

4. If you see any scratches, fingerprints, or other damage on the imaging drum, replace the toner cartridge.
5. Reinstall the toner cartridge, and print a few pages to see if the problem has resolved.

## Check paper and the printing environment

### Step one: Use paper that meets HP specifications

Some print-quality problems arise from using paper that does not meet HP specifications.

- Always use a paper type and weight that this printer supports.
- Use paper that is of good quality and free of cuts, nicks, tears, spots, loose particles, dust, wrinkles, voids, staples, and curled or bent edges.
- Use paper that has not been previously printed on.
- Use paper that does not contain metallic material, such as glitter.
- Use paper that is designed for use in laser printers. Do not use paper that is designed only for use in Inkjet printers.
- Use paper that is not too rough. Using smoother paper generally results in better print quality.


## Step two: Check the environment

The environment can directly affect print quality and is a common cause for print-quality or paper-feeding issues. Try the following solutions:

- Move the printer away from drafty locations, such as open windows or doors, or air-conditioning vents.
- Make sure the printer is not exposed to temperatures or humidity outside of printer specifications.
- Do not place the printer in a confined space, such as a cabinet.
- Place the printer on a sturdy, level surface.
- Remove anything that is blocking the vents on the printer. The printer requires good air flow on all sides, including the top.
- Protect the printer from airborne debris, dust, steam, grease, or other elements that can leave residue inside the printer.

## Step three: Set the individual tray alignment


Follow these steps when text or images are not centered or aligned correctly on the printed page when printing from specific trays.

1. On the printer control panel, press the **OK** button.
2. Open the following menus:
  - **System Setup**
  - **Print Quality**
  - **Adjust Alignment**
3. Scroll to and select the tray to adjust, and then press the **OK** button.
4. Scroll to and select one of the following options:
  - **X1 shift**
  - **X2 shift**
  - **Y shift**
5. Use the arrow keys and the **OK** button to adjust the alignment.
6. Repeat the previous two steps as necessary to adjust the alignment settings.
7. Press the **Back**  button to return to the **Adjust Alignment** menu.
8. Scroll to and select **Print Test Page**.
9. Scroll to and select the tray from which to print.
10. Follow the instructions on the pages that print.
11. Scroll to and select **Print Test Page** again to verify the results. Make further adjustments if necessary.

## Check the EconoMode settings

HP does not recommend the full-time use of EconoMode. If EconoMode is used full-time, the toner supply might outlast the mechanical parts in the toner cartridge. If print quality begins to degrade and is no longer acceptable, consider replacing the toner cartridge.

---

 **NOTE:** This feature is available with the PCL 6 print driver for Windows. If you are not using that driver, you can enable the feature by using the HP Embedded Web Server.

---

Follow these steps if the entire page is too dark or too light.

1. From the software program, select the **Print** option.
2. Select the printer, and then click the **Properties** or **Preferences** button.
3. Click the **Paper/Quality** tab, and locate the **Print Quality** area.
4. If the entire page is too dark, use these settings:
  - Select the **600 dpi** option.
  - Select the **EconoMode** check box to enable it.

If the entire page is too light, use these settings:

- Select the **FastRes 1200** option.
  - Clear the **EconoMode** check box to disable it.
5. Click the **OK** button to close the **Document Properties** dialog box. In the **Print** dialog, click the **OK** button to print the job.

## Try a different print driver

Try a different print driver when printing from a software program and the printed pages have unexpected lines in graphics, missing text, missing graphics, incorrect formatting, or substituted fonts.

Download any of the following drivers from the HP Web site: [www.hp.com/support/ljM402](http://www.hp.com/support/ljM402), [www.hp.com/support/ljM403](http://www.hp.com/support/ljM403).

---

<b>HP PCL.6 driver</b>	<ul style="list-style-type: none"><li>• Provided as the default driver on the printer CD. This driver is automatically installed unless you select a different one.</li></ul>
<b>HP PCL 6 driver</b>	<ul style="list-style-type: none"><li>• Recommended for all Windows environments</li></ul>
<b>HP PCL-6 driver</b>	<ul style="list-style-type: none"><li>• Provides the overall best speed, print quality, and printer-feature support for most users</li><li>• Developed to align with the Windows Graphic Device Interface (GDI) for the best speed in Windows environments</li><li>• Might not be fully compatible with third-party and custom software programs that are based on PCL 5</li></ul>
<b>HP UPD PS driver</b>	<ul style="list-style-type: none"><li>• Recommended for printing with Adobe® software programs or with other highly graphics-intensive software programs</li><li>• Provides support for printing from postscript emulation needs, or for postscript flash font support</li></ul>

---

---

**HP UPD PCL 5**

- Recommended for general office printing in Windows environments
- Compatible with previous PCL versions and older HP LaserJet printers
- The best choice for printing from third-party or custom software programs
- The best choice when operating with mixed environments, which require the printer to be set to PCL 5 (UNIX, Linux, mainframe)
- Designed for use in corporate Windows environments to provide a single driver for use with multiple printer models
- Preferred when printing to multiple printer models from a mobile Windows computer

---

**HP UPD PCL 6**

- Recommended for printing in all Windows environments
  - Provides the overall best speed, print quality, and printer feature support for most users
  - Developed to align with Windows Graphic Device Interface (GDI) for best speed in Windows environments
  - Might not be fully compatible with third-party and custom software programs that are based on PCL 5
-

# Solve wired network problems

## Introduction

Check the following items to verify that the printer is communicating with the network. Before beginning, print a configuration page from the printer control panel and locate the printer IP address that is listed on this page.

- [Poor physical connection](#)
- [The computer is using the incorrect IP address for the printer](#)
- [The computer is unable to communicate with the printer](#)
- [The printer is using incorrect link and duplex settings for the network](#)
- [New software programs might be causing compatibility problems](#)
- [The computer or workstation might be set up incorrectly](#)
- [The printer is disabled, or other network settings are incorrect](#)



**NOTE:** HP does not support peer-to-peer networking, as the feature is a function of Microsoft operating systems and not of the HP print drivers. For more information, go to Microsoft at [www.microsoft.com](http://www.microsoft.com).

## Poor physical connection

1. Verify that the printer is attached to the correct network port using a cable of the correct length.
2. Verify that cable connections are secure.
3. Look at the network port connection on the back of the printer, and verify that the amber activity light and the green link-status light are lit.
4. If the problem continues, try a different cable or port on the hub.

## The computer is using the incorrect IP address for the printer

1. Open the printer properties and click the **Ports** tab. Verify that the current IP address for the printer is selected. The printer IP address is listed on the printer configuration page.
2. If you installed the printer using the HP standard TCP/IP port, select the box labeled **Always print to this printer, even if its IP address changes**.
3. If you installed the printer using a Microsoft standard TCP/IP port, use the hostname instead of the IP address.
4. If the IP address is correct, delete the printer and then add it again.

## The computer is unable to communicate with the printer

1. Test network communication by pinging the network.
  - a. Open a command-line prompt on your computer.



- For Windows, click **Start**, click **Run**, type `cmd`, and then press [Enter](#).
  - For OS X, go to **Applications**, then **Utilities**, and open **Terminal**.
- b. Type `ping` followed by the IP address for your printer.
  - c. If the window displays round-trip times, the network is working.
2. If the ping command failed, verify that the network hubs are on, and then verify that the network settings, the printer, and the computer are all configured for the same network.

## The printer is using incorrect link and duplex settings for the network

HP recommends leaving these settings in automatic mode (the default setting). If you change these settings, you must also change them for your network.

## New software programs might be causing compatibility problems

Verify that any new software programs are correctly installed and that they use the correct print driver.

## The computer or workstation might be set up incorrectly

1. Check the network drivers, print drivers, and the network redirection settings.
2. Verify that the operating system is configured correctly.

## The printer is disabled, or other network settings are incorrect

1. Review the configuration page to check the status of the network protocol. Enable it if necessary.
2. Reconfigure the network settings if necessary.

# Solve wireless network problems (wireless models only)

- [Introduction](#)
- [Wireless connectivity checklist](#)
- [The printer does not print after the wireless configuration completes](#)
- [The printer does not print, and the computer has a third-party firewall installed](#)
- [The wireless connection does not work after moving the wireless router or printer](#)
- [Cannot connect more computers to the wireless printer](#)
- [The wireless printer loses communication when connected to a VPN](#)
- [The network does not appear in the wireless networks list](#)
- [The wireless network is not functioning](#)
- [Perform a wireless network diagnostic test](#)
- [Reduce interference on a wireless network](#)

## Introduction

Use the troubleshooting information to help resolve issues.



---

**NOTE:** To determine whether HP NFC and Wi-Fi Direct printing are enabled on your printer, print a configuration page from the printer control panel

---

## Wireless connectivity checklist

- Verify that the network cable is not connected.
- Verify that the printer and the wireless router are turned on and have power. Also make sure that the wireless radio in the printer is turned on.
- Verify that the service set identifier (SSID) is correct. Print a configuration page to determine the SSID. If you are not sure the SSID is correct, run the wireless setup again.
- With secured networks, verify that the security information is correct. If the security information is incorrect, run the wireless setup again.
- If the wireless network is working correctly, try accessing other computers on the wireless network. If the network has Internet access, try connecting to the Internet over a wireless connection.
- Verify that the encryption method (AES or TKIP) is the same for the printer as it is for the wireless access point (on networks using WPA security).
- Verify that the printer is within the range of the wireless network. For most networks, the printer must be within 30 m (100 ft) of the wireless access point (wireless router).
- Verify that obstacles do not block the wireless signal. Remove any large metal objects between the access point and the printer. Make sure poles, walls, or support columns containing metal or concrete do not separate the printer and wireless access point.

- Verify that the printer is located away from electronic devices that might interfere with the wireless signal. Many devices can interfere with the wireless signal including motors, cordless phones, security system cameras, other wireless networks, and some Bluetooth devices.
- Verify that the print driver is installed on the computer.
- Verify that you have selected the correct printer port.
- Verify that the computer and printer connect to the same wireless network.
- For OS X, verify that the wireless router supports Bonjour.

## The printer does not print after the wireless configuration completes

1. Make sure that the printer is turned on and in the ready state.
2. Turn off any third-party firewalls on your computer.
3. Make sure that the wireless network is working correctly.
4. Make sure that your computer is working correctly. If necessary, restart the computer.
5. Verify that you can open the printer HP Embedded Web Server from a computer on the network.

## The printer does not print, and the computer has a third-party firewall installed

1. Update the firewall with the most recent update available from the manufacturer.
2. If programs request firewall access when you install the printer or try to print, make sure you allow the programs to run.
3. Temporarily turn off the firewall, and then install the wireless printer on the computer. Enable the firewall when you have completed the wireless installation.

## The wireless connection does not work after moving the wireless router or printer

1. Make sure that the router or printer connects to the same network that your computer connects to.
2. Print a configuration page.
3. Compare the service set identifier (SSID) on the configuration page to the SSID in the printer configuration for the computer.
4. If the numbers are not the same, the devices are not connecting to the same network. Reconfigure the wireless setup for the printer.

## Cannot connect more computers to the wireless printer

1. Make sure that the other computers are within the wireless range and that no obstacles block the signal. For most networks, the wireless range is within 30 m (100 ft) of the wireless access point.
2. Make sure that the printer is turned on and in the ready state.
3. Make sure there are not more than 5 concurrent Wi-Fi Direct users.
4. Turn off any third-party firewalls on your computer.

5. Make sure that the wireless network is working correctly.
6. Make sure that your computer is working correctly. If necessary, restart the computer.

## The wireless printer loses communication when connected to a VPN

- Typically, you cannot connect to a VPN and other networks at the same time.

## The network does not appear in the wireless networks list

- Make sure the wireless router is turned on and has power.
- The network might be hidden. However, you can still connect to a hidden network.

## The wireless network is not functioning

1. Make sure that the network cable is not connected.
2. To verify if the network has lost communication, try connecting other devices to the network.
3. Test network communication by pinging the network.
  - a. Open a command-line prompt on your computer.
    - For Windows, click **Start**, click **Run**, type `cmd`, and then press **Enter**.
    - For OS X, go to **Applications**, then **Utilities**, and open **Terminal**.
  - b. Type `ping` followed by the router IP address.
  - c. If the window displays round-trip times, the network is working.
4. Make sure that the router or printer connects to the same network that the computer connects to.
  - a. Print a configuration page.
  - b. Compare the service set identifier (SSID) on the configuration report to the SSID in the printer configuration for the computer.
  - c. If the numbers are not the same, the devices are not connecting to the same network. Reconfigure the wireless setup for the printer.

## Perform a wireless network diagnostic test

From the printer control panel, you can run a diagnostic test that provides information about the wireless network settings.

1. On the printer control panel, press the **OK** button.
2. Open the following menus:
  - **Self Diagnostics**
  - **Run Wireless Test**
3. Press the **OK** button to start the test. The printer prints a test page that shows test results.

## Reduce interference on a wireless network

The following tips can reduce interference in a wireless network:

- Keep the wireless devices away from large metal objects, such as filing cabinets, and other electromagnetic devices, such as microwaves and cordless telephones. These objects can disrupt radio signals.
- Keep the wireless devices away from large masonry structures and other building structures. These objects can absorb radio waves and lower signal strength.
- Position the wireless router in a central location in line of sight with the wireless printers on the network.



# Index

## A

- accessories
  - ordering 26
  - part numbers 26
- acoustic specifications 11
- AirPrint 48
- Android devices
  - printing from 49

## B

- bin, output
  - locating 2
- browser requirements
  - HP embedded Web Server 53

## C

- cartridge
  - replacing 28
- checklist
  - wireless connectivity 104
- cleaning
  - paper path 98
- control panel
  - locating 2
- customer support
  - online 68

## D

- defaults, restoring 69
- deleting
  - stored jobs 45
- dimensions, printer 9
- double-sided printing
  - Mac 39
  - Windows 36
- drivers, supported 6
- duplex printing
  - Mac 39

- duplex printing (double-sided)
  - settings (Windows) 35
  - Windows 36
- duplexer
  - clearing jams 94
  - locating 3
- duplexing
  - manually (Mac) 39
  - manually (Windows) 36

## E

- EconoMode setting 62, 100
- economy settings 62
- electrical specifications 11
- Embedded Web Server
  - changing password 61
  - opening 61
- Embedded Web Server (EWS)
  - features 53
- enabling
  - stored jobs 42
- envelopes, loading 24
- Explorer, versions supported
  - HP Embedded Web Server 53

## F

- factory-set defaults, restoring 69
- fuser
  - clearing jams 88

## H

- HP Customer Care 68
- HP Device Toolbox, using 53
- HP Embedded Web Server
  - changing password 61
  - opening 61
- HP Embedded Web Server (EWS)
  - features 53
- HP ePrint 47

- HP ePrint software 48
- HP EWS, using 53
- HP Utility 56
- HP Utility for Mac
  - Bonjour 56
  - features 56
- HP Utility, Mac 56
- HP Web Jetadmin 64

## I

- interface ports
  - locating 3
- Internet Explorer, versions supported
  - HP Embedded Web Server 53

## J

- jams
  - causes of 78
  - duplexer 94
  - fuser 88
  - locating 79
  - output bin 92
  - Tray 1 80
  - Tray 2 81
  - Tray 3 85
- Jetadmin, HP Web 64
- jobs, stored
  - creating (Windows) 43
  - deleting 45
  - enabling 42
  - printing 44

## L

- labels
  - printing (Windows) 36
- loading
  - paper in Tray 1 14
  - paper in Tray 2 18
  - paper in Tray 3 21

- lock
  - formatter 61
- M**
- Macintosh
  - HP Utility 56
- maintenance kits
  - part numbers 26
- manual duplex
  - Mac 39
  - Windows 36
- memory
  - included 6
- memory chip (toner)
  - locating 28
- mobile printing
  - Android devices 49
- mobile printing solutions 6
- mobile printing, software supported 8
- multiple pages per sheet
  - printing (Mac) 40
  - printing (Windows) 36
- N**
- Near Field Communication printing 46
- Netscape Navigator, versions supported
  - HP embedded Web Server 53
- network
  - password, changing 61
  - password, setting 61
- network duplex settings, changing 59
- network installation 52
- network link speed settings, changing 59
- network port
  - locating 3
- networks
  - HP Web Jetadmin 64
  - installing the printer 52
  - supported 6
- NFC printing 46
- O**
- on/off button, locating 2
- online support 68
- operating systems (OS)
  - supported 6
- operating systems, supported 6
- ordering
  - supplies and accessories 26
- OS (operating system)
  - supported 6
- output bin
  - clearing jams 92
  - locating 2
- P**
- pages per minute 6
- pages per sheet
  - selecting (Mac) 40
  - selecting (Windows) 36
- paper
  - jams 78
  - loading in Tray 1 14
  - loading Tray 2 18
  - loading Tray 3 21
  - selecting 98
- paper jams
  - locating 79
  - Tray 1 80
  - Tray 2 81
  - Tray 3 85
- paper pickup problems
  - solving 72, 74
- paper type
  - selecting (Windows) 36
- paper types
  - selecting (Mac) 40
- paper, ordering 26
- part numbers
  - accessories 26
  - replacement parts 26
  - staple cartridges 26
  - supplies 26
  - toner cartridge 26
  - toner cartridges 26
- power
  - consumption 11
- power connection
  - locating 3
- power switch, locating 2
- power-down delay
  - setting 63
- print drivers, supported 6
- print on both sides
  - Mac 39
  - manually, Windows 36
  - Windows 36
- printing
  - stored jobs 44
- printing on both sides
  - settings (Windows) 35
- private printing 42
- R**
- rear door
  - locating 3
- replacement parts
  - part numbers 26
- replacing
  - toner cartridge 28
- restoring factory-set defaults 69
- S**
- settings
  - factory-set defaults, restoring 69
- shut down after delay
  - setting 62
- sleep delay
  - disabling 62
  - enabling 62
- software
  - HP Utility 56
- special paper
  - printing (Windows) 36
- specifications
  - electrical and acoustic 11
- staple cartridges
  - part numbers 26
- status
  - HP Utility, Mac 56
- store print jobs 42
- stored jobs
  - creating (Windows) 43
  - deleting 45
  - enabling 42
  - printing 44
- storing jobs
  - with Windows 43
- supplies
  - low threshold settings 70
  - ordering 26
  - part numbers 26
  - replacing toner cartridge 28



- status, viewing with HP Utility for Mac 56
- using when low 70
- supplies status
  - checking 97
- supplies status page
  - printing 97
- support
  - online 68
- system requirements
  - HP Embedded Web Server 53

## T

- technical support
  - online 68
- toner
  - amount remaining 97
- toner cartridge
  - components 28
  - low threshold settings 70
  - part numbers 26
  - replacing 28
  - using when low 70
- toner cartridges
  - part numbers 26
- transparencies
  - printing (Windows) 36
- Tray 1
  - jams 80
  - loading 14
  - loading envelopes 24
- Tray 2
  - jams 81
  - loading 18
- Tray 3
  - jams 85
  - loading 21
- trays
  - capacity 6
  - included 6
  - locating 2
- troubleshooting
  - jams 78
  - network problems 102
  - paper feed problems 72
  - wired network 102
  - wireless network 104
- two-sided printing
  - settings (Windows) 35

## U

- USB port
  - locating 3

## W

- walk-up USB port
  - locating 2
- Web browser requirements
  - HP Embedded Web Server 53
- Web sites
  - customer support 68
  - HP Web Jetadmin, downloading 64
- weight, printer 9
- Wi-Fi Direct Printing 46
- wireless network
  - troubleshooting 104
- wireless network interference 107

