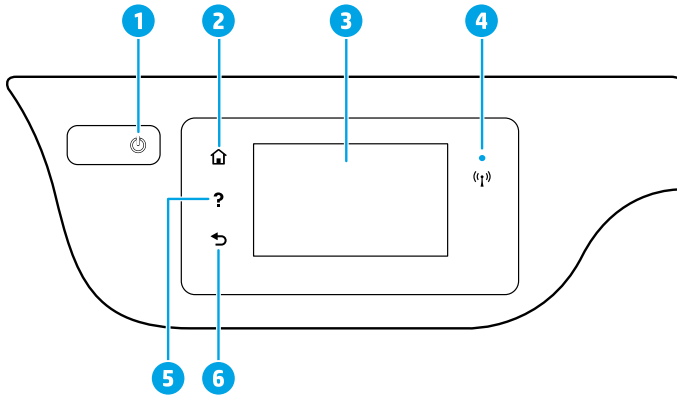


Need help? [www.hp.com/support/oj3830](http://www.hp.com/support/oj3830)

## Printer control panel



1 **Power** button: Turns the printer on or off.

2 **Home** button: Returns to the Home screen, the screen that is displayed when you first turn on the printer.

3 **Control panel display**: Touch the screen to select menu options, or scroll through the menu items.

**Wireless** light: Indicates the status of the printer wireless connection.

- Solid blue light indicates that wireless connection has been established and you can print.
- Slow blinking light indicates that wireless is on, but the printer is not connected to a network. Make sure your printer is within the range of wireless signal.
- Fast blinking light indicates wireless error. Refer to the message on the printer display.
- If wireless is turned off, the wireless light is off and the display screen shows **Wireless Off**.

5 **Help** button: Shows help content if it is available for the current operation.

6 **Back** button: Returns to the previous screen.



**Scan**: Use the HP Smart app or printer software to scan. Find more information about scanning at [www.hp.com/support/oj3830](http://www.hp.com/support/oj3830).



F5R95-90065

EN

ES

FR

Printed in [English]

Printed in [French]

Printed in [Spanish]

© Copyright 2017 HP Development Company, L.P.

The information contained herein is subject to change without notice.

## Wireless setup

Visit [123.hp.com/setup](http://123.hp.com/setup) to install the HP Smart app or HP printer software to connect the printer to your network (2.4 GHz supported).

**Note for Windows® users:** You can also use the HP printer software CD. If your printer does not come with a CD, you may order one from [www.support.hp.com](http://www.support.hp.com).

### If connecting the printer to your network was unsuccessful

Learn more: [www.hp.com/go/wifihelp](http://www.hp.com/go/wifihelp) for assistance on wireless setup.



### Share the printer with computers and other devices on your network

After connecting the printer to your wireless network, you can share it with multiple computers and mobile devices on the same network. On each device, install the HP Smart app or printer software from [123.hp.com/setup](http://123.hp.com/setup).

### Convert from a USB connection to wireless connection

Learn more: [www.hp.com/go/usbtowifi](http://www.hp.com/go/usbtowifi).

### Use the printer wirelessly without a router (Wi-Fi Direct)

Make sure Wi-Fi Direct is enabled. To check the status of Wi-Fi Direct, network name and password, touch  (Wi-Fi Direct), and then touch  (Settings) on the printer control panel display.

Learn more: [www.hp.com/go/wifidirectprinting](http://www.hp.com/go/wifidirectprinting).

This product is designed for use in open environments (for example, in homes and not connected to the public Internet) in which anyone might access and use the printer. As a result, the Wi-Fi Direct setting is in “Automatic” mode by default, without an administrator password, which allows anyone in wireless range to connect and access all functions and settings of the printer. If higher security levels are desired, HP recommends changing the Wi-Fi Direct Connection Method from “Automatic” to “Manual” and establishing an administrator password. You can change the security settings from the printer home page (embedded web server or EWS). For help on EWS, refer to the user guide on [www.hp.com/support/oj3830](http://www.hp.com/support/oj3830) or the electronic Help.

## Set up fax

You can set up fax using the HP printer software (recommended) or from the printer control panel.

- **Windows:** Use the Fax Wizard during software installation. To set up after software installation, open the printer software by double-clicking the icon with the printer name on the desktop, go to the **Print, Scan & Fax** tab, and then select **Fax Setup Wizard**.
- **OS X:** After software installation, from the HP Utility, use Basic Fax Settings.
- **Control panel display:** Touch **Fax** on the Home screen, and then touch **Setup**.

For more information, visit [www.hp.com/support/oj3830](http://www.hp.com/support/oj3830).

## Basic troubleshooting

- Make sure you have installed the latest HP Smart app or printer software from [123.hp.com](http://123.hp.com).
- If you are using a USB cable, make sure the cable is securely connected and the printer is set as the default printer.
- If your computer is connected to the printer with a wireless connection, make sure the printer is connected to the same network as the device you are printing from.

**Note for Windows® users:** Visit HP Diagnostic Tools at [www.hp.com/go/tools](http://www.hp.com/go/tools) to fix common printer problems.

## Learn more



### Product support

[www.hp.com/support/oj3830](http://www.hp.com/support/oj3830)



### HP mobile printing

[www.hp.com/go/mobileprinting](http://www.hp.com/go/mobileprinting)

- Get additional help and find notices, environmental, and regulatory information, including the European Union Regulatory Notice and compliance statements, in the “Technical Information” section of the User Guide: [www.hp.com/support/oj3830](http://www.hp.com/support/oj3830).
- Printer registration: [www.register.hp.com](http://www.register.hp.com).
- Declaration of Conformity: [www.hp.eu/certificates](http://www.hp.eu/certificates).
- Ink usage: [www.hp.com/go/inkusage](http://www.hp.com/go/inkusage).

## Safety information

Use only with the power cord and power adapter (if provided) supplied by HP.

## Cartridge information

**Cartridges:** During setup, when you are prompted to install cartridges, make sure you use the cartridges provided with the printer.

**Anonymous usage information storage:** HP cartridges used with this printer contain a memory chip that assists in the operation of the printer and stores a limited set of anonymous information about the usage of the printer. This information might be used to improve future HP printers. Refer to the user guide at [www.hp.com/support/oj3830](http://www.hp.com/support/oj3830).

## Regulatory Model Number

For regulatory identification purposes, your product is assigned a Regulatory Model Number. The Regulatory Model Number for your product is SNPRH-1502. This regulatory number should not be confused with the marketing name (HP OfficeJet 3830 All-in-One Printer, etc.) or product numbers (F5R95A, etc.).

---

## Acknowledgements

Microsoft and Windows are either registered trademarks or trademarks of Microsoft Corporation in the United States and/or other countries.

Mac and OS X are trademarks of Apple Inc., registered in the U.S. and other countries.

# HP printer limited warranty statement

HP Product	Limited Warranty Period
Software Media	90 days
Printer	1 year hardware warranty
Print or Ink cartridges	Until the HP ink is depleted or the "end of warranty" date printed on the cartridge has been reached, whichever occurs first. This warranty does not cover HP ink products that have been refilled, remanufactured, refurbished, misused, or tampered with.

## A. Extent of limited warranty

1. This HP Limited Warranty applies only to HP branded products sold or leased a) from HP Inc., its subsidiaries, affiliates, authorized resellers, authorized distributors, or country distributors; b) with this HP Limited Warranty.
2. HP Inc. (HP) warrants to the end-user customer that the HP products specified above will be free from defects in materials and workmanship for the duration specified above (the "Limited Warranty Period"), which Limited Warranty Period begins on the date when the HP Hardware Product is first detected during its initial boot, which date is known as the "first start date." Alternatively, if the HP Hardware Product is not detected at that time, the Limited Warranty Period shall start on the latter of the date of purchase or lease from HP or from the HP or, if applicable, the HP authorized service provider completes installation.
3. For software products, HP's limited warranty applies only to a failure to execute programming instructions. HP does not warrant that the operation of any product will be interrupted or error-free.
4. HP's limited warranty covers only those defects that arise as a result of normal use of the product, and does not cover any other problems, including those that arise as a result of:
  - a. Improper maintenance or modification;
  - b. Software, media, parts, or supplies not provided or supported by HP;
  - c. Operation outside the product's specifications;
  - d. Unauthorized modification or misuse.
5. For HP printer products, the use of a non-HP cartridge or a refilled cartridge does not affect either the warranty to the customer or any HP support contract with the customer. However, if printer failure or damage is attributable to the use of a non-HP or refilled cartridge or an expired ink cartridge, HP will charge its standard time and materials charges to service the printer for the particular failure or damage.
6. If HP receives, during the applicable warranty period, notice of a defect in any product which is covered by HP's warranty, HP shall either repair or replace the product, at HP's option.
7. If HP is unable to repair or replace, as applicable, a defective product which is covered by HP's warranty, HP shall, within a reasonable time after being notified of the defect, refund the purchase price for the product.
8. HP shall have no obligation to repair, replace, or refund until the customer returns the defective product to HP.
9. Any replacement product may be either new or like-new products of similar functionality as the product being replaced.
10. HP products may contain remanufactured parts, components, or materials equivalent to new in performance.
11. HP's Limited Warranty Statement is valid in any country where the covered HP product is distributed by HP. Contracts for additional warranty services, such as on-site service, may be available from any authorized HP service facility in countries where the product is distributed by HP or by an authorized importer.

## B. Limitations of warranty

TO THE EXTENT ALLOWED BY LOCAL LAW, NEITHER HP NOR ITS THIRD PARTY SUPPLIERS MAKES ANY OTHER WARRANTY OR CONDITION OF ANY KIND, WHETHER EXPRESS OR IMPLIED WARRANTIES OR CONDITIONS OF MERCHANTABILITY, SATISFACTORY QUALITY, AND FITNESS FOR A PARTICULAR PURPOSE.

## C. Limitations of liability

1. To the extent allowed by local law, the remedies provided in this Warranty Statement are the customer's sole and exclusive remedies.
2. TO THE EXTENT ALLOWED BY LOCAL LAW, EXCEPT FOR THE OBLIGATIONS SPECIFICALLY SET FORTH IN THIS WARRANTY STATEMENT, IN NO EVENT SHALL HP OR ITS THIRD PARTY SUPPLIERS BE LIABLE FOR DIRECT, INDIRECT, SPECIAL, INCIDENTAL, OR CONSEQUENTIAL DAMAGES, WHETHER BASED ON CONTRACT, TORT, OR ANY OTHER LEGAL THEORY AND WHETHER ADVISED OF THE POSSIBILITY OF SUCH DAMAGES.

## D. Local law

1. This Warranty Statement gives the customer specific legal rights. The customer may also have other rights which vary from state to state in the United States, from province to province in Canada, and from country to country elsewhere in the world.
2. To the extent that this Warranty Statement is inconsistent with local law, this Warranty Statement shall be deemed modified to be consistent with such local law. Under such local law, certain disclaimers, exclusions and limitations of this Warranty Statement may not apply to the customer.

## HP Limited Warranty

*Complimentary Support: 1 year of online chat support and 90 days of phone support (both from date of purchase). In regions outside of the US where chat support is not available, phone or email support will be provided for 1 year. Support includes general troubleshooting related to setup, installation, assembly and connectivity. You may also refer to the HP support website ([www.support.hp.com](http://www.support.hp.com)) for additional information. During the term of HP's limited warranty, you may contact your authorized HP reseller or HP authorized service provided for additional information about support.*

The HP limited Warranty is a commercial guarantee voluntarily provided by HP. The name and address of the HP entity responsible for the performance of the HP Limited Warranty in your country is as follows:

**U.K:** HP Inc UK Limited, Cain Road, Amen Corner, Bracknell, Berkshire, RG12 1HN

**Ireland:** Hewlett-Packard Ireland Limited, Liffey Park Technology Campus, Barnhall Road, Leixlip, Co. Kildare

**Malta:** Hewlett-Packard Europe B.V., Amsterdam, Meyrin Branch, Route du Nant-d'Avril 150, 1217 Meyrin, Switzerland

**United Kingdom:** The HP Limited Warranty benefits apply in addition to any legal rights to a guarantee from a seller of nonconformity of goods with the contract of sale. These rights expire six years from delivery of goods for products purchased in England or Wales and five years from delivery of goods for products purchased in Scotland. However, various factors may impact your eligibility to receive these rights. For further information, please consult the following link: Consumer Legal Guarantee or you may visit the European Consumer Centers website. Consumers have the right to choose whether to claim service under the HP Limited Warranty or against the seller under the legal guarantee.

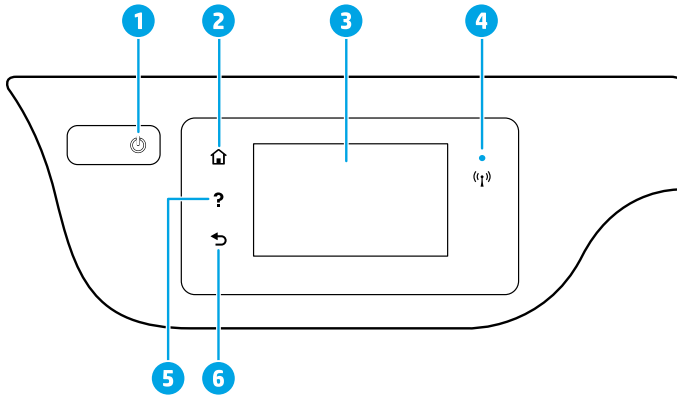
**Ireland:** The HP Limited Warranty benefits apply in addition to any statutory rights from seller in relation to nonconformity of goods with the contract of sale. However various factors may impact your eligibility to receive these rights. Consumer statutory rights are not limited or affected in any manner by HP Care Pack. For further information, please consult the following link: Consumer Legal Guarantee or you may visit the European Consumer Centers website. Consumers have the right to choose whether to claim service under the HP Limited Warranty or against the seller under the legal guarantee.

**Malta:** The HP Limited Warranty benefits apply in addition to any legal rights to a two-year guarantee from seller of nonconformity of goods with the contract of sale; however various factors may impact your eligibility to receive these rights. Consumer statutory rights are not limited or affected in any manner by the HP Limited Warranty. For further information, please consult the following link: Consumer Legal Guarantee or you may visit the European Consumer Centers website. Consumers have the right to choose whether to claim service under the HP Limited Warranty or against the seller under two-year legal guarantee.

For further information, please consult the following link: Consumer Legal Guarantee ([www.hp.com/go/eu-legal](http://www.hp.com/go/eu-legal)) or you may visit the European Consumer Centers website ([http://ec.europa.eu/consumers/solving\\_consumer\\_disputes/non-judicial\\_redress/ecc-net](http://ec.europa.eu/consumers/solving_consumer_disputes/non-judicial_redress/ecc-net)).

¿Necesita ayuda? [www.hp.com/support/oj3830](http://www.hp.com/support/oj3830)

## Panel de control de la impresora



- 1 Botón de **Encendido**: enciende o apaga la impresora.
- 2 Botón **Inicio**: vuelve a la pantalla Inicio, que se muestra al encender la impresora por primera vez.

- 3 **Pantalla del panel de control**: toque la pantalla para seleccionar las opciones de menú o desplazarse por los elementos del menú.

Indicador luminoso de **conexión inalámbrica**: indica el estado de la conexión inalámbrica de la impresora.

- El indicador luminoso azul muestra que se ha establecido la conexión inalámbrica y que se puede imprimir.
- Una luz con parpadeo lento indica que la función inalámbrica está encendida, pero que la impresora no está conectada a una red. Asegúrese de que la impresora esté dentro del rango de la señal inalámbrica.
- Un indicador luminoso que parpadea rápidamente señala un error en la conexión inalámbrica. Consulte el mensaje en la pantalla de la impresora.
- Si la conexión inalámbrica está desactivada, el indicador luminoso de conexión inalámbrica también está apagado y en la pantalla se lee **Inalámbrica desactivada**.

- 5 Botón **Ayuda**: muestra el contenido de la ayuda si está disponible para la operación actual.
- 6 **Botón Atrás**: vuelve a la pantalla anterior.



**Escanear**: use la aplicación HP Smart o el software de la impresora para escanear. Para obtener más información sobre el escaneado, visite [www.hp.com/support/oj3830](http://www.hp.com/support/oj3830).

## Instalación inalámbrica

Visite [123.hp.com/setup](http://123.hp.com/setup) para instalar la aplicación HP Smart o el software de la impresora HP y conecte la impresora a la red (admite 2,4 GHz).

**Nota para usuarios de Windows®:** también puede utilizar el CD de software de la impresora HP. Si la impresora no incluye un CD, puede pedir uno en [www.support.hp.com](http://www.support.hp.com).

### Si la impresora no se ha podido conectar a la red

Más información: [www.hp.com/go/wifihelp](http://www.hp.com/go/wifihelp) para obtener asistencia con la instalación inalámbrica.



### Comparta la impresora con varios equipos y dispositivos en su red

Después de conectar la impresora a la red inalámbrica, puede compartirla con varios equipos y dispositivos móviles en la misma red. En cada dispositivo, instale la aplicación HP Smart o el software de la impresora de [123.hp.com/setup](http://123.hp.com/setup).

### Convertir una conexión USB en una conexión inalámbrica

Más información: [www.hp.com/go/usbtowifi](http://www.hp.com/go/usbtowifi).

### Use la impresora de forma inalámbrica sin un enrutador (Wi-Fi Direct)

Asegúrese de que Wi-Fi Direct esté habilitado. Para verificar el estado de Wi-Fi Direct, la contraseña y el nombre de la red, toque  (Wi-Fi Direct) y luego  (Configuración) en la pantalla del panel de control de la impresora.

Más información: [www.hp.com/go/wifidirectprinting](http://www.hp.com/go/wifidirectprinting).

Este producto está diseñado para su uso en entornos abiertos (p. ej., en hogares y sin conexión a Internet pública) en el que cualquier persona podría acceder y utilizar la impresora. Como resultado, el ajuste de Wi-Fi Direct está en modo "Automático" de forma predeterminada, sin contraseña de administrador, lo que permite que cualquiera en el rango de la red inalámbrica se conecte y acceda a todas las funciones y ajustes de la impresora. Si se desean niveles de seguridad más estrictos, HP recomienda cambiar el método de conexión Wi-Fi Direct de "Automático" a "Manual" y establecer una contraseña de administrador. Puede cambiar la configuración de seguridad desde la página de inicio de la impresora (servidor web incorporado o EWS). Para obtener ayuda sobre el EWS, consulte la guía del usuario en [www.hp.com/support/oj3830](http://www.hp.com/support/oj3830) o la ayuda electrónica.

## Configuración del fax

Puede configurar el fax utilizando el software de la impresora HP (recomendado) o el panel de control de la impresora.

- **Windows:** use el asistente de fax durante la instalación del software. Para continuar con la configuración después de la instalación del software, abra el software de la impresora haciendo doble clic en el icono con el nombre de la impresora en el escritorio, vaya a la pestaña **Fax** y seleccione **Asistente de configuración de fax**.
- **OS X:** después de la instalación del software, desde la Utilidad de HP, use los Ajustes básicos del fax.
- **Pantalla del panel de control:** toque **Fax** en la pantalla Inicio y luego toque **Configuración**.

Para obtener más información, visite [www.hp.com/support/oj3830](http://www.hp.com/support/oj3830).

## Solución de problemas básicos

- Asegúrese de haber instalado la última versión de HP Smart o el software de la impresora HP desde [123.hp.com](http://123.hp.com).
- Si está utilizando un cable USB, asegúrese de que el cable esté conectado de forma segura y que la impresora esté configurada como impresora predeterminada.
- Si su ordenador está conectado a la impresora a través de una conexión inalámbrica, asegúrese de que la impresora esté conectada a la misma red que el dispositivo desde el que está imprimiendo.

**Nota para usuarios de Windows®:** visite las Herramientas de diagnóstico HP en [www.hp.com/go/tools](http://www.hp.com/go/tools) para corregir los problemas comunes de la impresora.

## Más información



### Soporte para productos

[www.hp.com/support/oj3830](http://www.hp.com/support/oj3830)



### Impresión móvil HP

[www.hp.com/go/mobileprinting](http://www.hp.com/go/mobileprinting)

- Encuentre ayuda adicional, información sobre notificaciones, medioambiente y normativas, incluyendo notificaciones reglamentarias y declaraciones de cumplimientos de la Unión Europea en la sección "Información técnica" de la Guía del usuario: [www.hp.com/support/oj3830](http://www.hp.com/support/oj3830).
- Registro de la impresora: [www.register.hp.com](http://www.register.hp.com).
- Declaración de conformidad: [www.hp.eu/certificates](http://www.hp.eu/certificates).
- Uso de la tinta: [www.hp.com/go/inkusage](http://www.hp.com/go/inkusage).

### Información de seguridad

Use únicamente el cable y el adaptador de alimentación (si se incluyen) proporcionados por HP.

### Información sobre cartuchos

**Cartuchos:** durante la instalación, cuando se le solicite que instale cartuchos, asegúrese de utilizar todos los que se han suministrado con la impresora.

**Almacenamiento de información de uso anónimo:** los cartuchos HP utilizados con esta impresora contienen un chip de memoria que ayuda en el funcionamiento de la impresora y almacena un conjunto limitado de información anónima sobre el uso. Esta información puede ser utilizada para introducir mejoras en futuras impresoras HP. También puede obtener la guía de usuario en [www.hp.com/support/oj3830](http://www.hp.com/support/oj3830).

### Número de modelo reglamentario

A los efectos de la identificación reglamentaria, al producto se le ha asignado un número de modelo reglamentario. El número de modelo reglamentario de su producto es SNPRH-1502. Este número no se debe confundir con el nombre comercial (HP OfficeJet 3830 All-in-One Printer, etc.) ni con los números de producto (F5R95A, etc.).

---

### Marcas registradas

Microsoft y Windows son marcas comerciales registradas o marcas comerciales de Microsoft Corporation en EE. UU. y otros países.

Mac y OS X son marcas comerciales de Apple Inc., registradas en EE. UU. y otros países.

# Declaración de garantía limitada de la impresora HP

Producto HP	Período de garantía limitada
Medio de almacenamiento del software	90 días
Impresora	Garantía de hardware de 1 año
Cartuchos de tinta o impresión	La garantía es válida hasta que se agote la tinta HP o hasta que se alcance la fecha de "fin de garantía" indicada en el cartucho, cualquiera de los hechos que se produzca en primer lugar. Esta garantía no cubrirá los productos de tinta HP que se hayan rellenado o manipulado, se hayan vuelto a limpiar, se hayan utilizado incorrectamente o se haya alterado su composición.

## A. Alcance de la garantía limitada

1. Esta garantía limitada de HP se aplica solo a productos con marca HP vendidos o arrendados a) de HP Inc., sus subsidiarias, filiales, vendedores autorizados, proveedores autorizados o distribuidores en el país; b) con esta garantía limitada de HP.
2. HP Inc. (HP) garantiza al usuario final que los productos HP especificados anteriormente no tendrán defectos materiales ni de mano de obra durante la duración especificada anteriormente (el «Período de garantía limitada»), cuyo período de garantía limitada empieza en la fecha en que el producto de hardware HP se detecta por primera vez durante el arranque inicial, fecha que se conoce como «fecha de primer inicio». Como alternativa, si el producto de hardware HP no se detecta en dicho momento, el Período de garantía limitada deberá empezar en la fecha que sea posterior, ya sea la de adquisición o alquiler de HP o del proveedor de servicios de HP o, si procede, el proveedor de servicio autorizado de HP que completa la instalación.
3. Para los productos de software, la garantía limitada de HP se aplica únicamente a la incapacidad del programa para ejecutar las instrucciones. HP no garantiza que el funcionamiento de los productos no se interrumpa ni que no contenga errores.
4. La garantía limitada de HP abarca solo los defectos que se originen como consecuencia del uso normal del producto, y no cubre otros problemas, incluyendo los originados como consecuencia de:
  - a. Mantenimiento o modificación indebidos;
  - b. Software, soportes de impresión, piezas o consumibles que HP no proporcione o no admita;
  - c. Uso que no se ajuste a las especificaciones del producto;
  - d. Modificación o uso incorrecto no autorizados.
5. Para los productos de impresoras de HP, el uso de un cartucho que no sea de HP o de un cartucho recargado no afecta ni a la garantía del cliente ni a cualquier otro contrato de asistencia de HP con el cliente. No obstante, si el error o el desperfecto en la impresora se atribuye al uso de un cartucho que no sea de HP, un cartucho recargado o un cartucho de tinta caducado, HP cobrará aparte el tiempo y los materiales de servicio para dicho error o desperfecto.
6. Si durante la vigencia de la garantía aplicable, HP recibe un aviso de que cualquier producto presenta un defecto cubierto por la garantía, HP reparará o sustituirá el producto defectuoso como considere conveniente.
7. Si HP no logra reparar o sustituir, según corresponda, un producto defectuoso que esté cubierto por la garantía, HP reembolsará al cliente el precio de compra del producto, dentro de un plazo razonable tras recibir la notificación del defecto.
8. HP no tendrá obligación alguna de reparar, sustituir o reembolsar el precio del producto defectuoso hasta que el cliente lo haya devuelto a HP.
9. Cualquier producto de sustitución puede ser un producto nuevo o casi nuevo de funcionalidad similar a la del producto que se sustituye.
10. Los productos HP podrían incluir piezas, componentes o materiales refabricados equivalentes a los nuevos en cuanto al rendimiento.
11. La Declaración de garantía limitada de HP es válida en cualquier país donde HP distribuya los productos HP cubiertos. Es posible que existan contratos disponibles para servicios de garantía adicionales, como el servicio in situ, en cualquier suministrador de servicios autorizado por HP, en aquellos países donde HP o un importador autorizado distribuyan el producto.

## B. Limitaciones de la garantía

HASTA DONDE LO PERMITAN LAS LEYES LOCALES, NI HP NI SUS PROVEEDORES TERCEROS OTORGAN NINGUNA OTRA GARANTÍA O CONDICIÓN DE NINGÚN TIPO, YA SEAN GARANTÍAS O CONDICIONES DE COMERCIABILIDAD EXPRESAS O IMPLÍCITAS, CALIDAD SATISFACTORIA E IDONEIDAD PARA UN FIN DETERMINADO.

## C. Limitaciones de responsabilidad

1. Hasta donde lo permitan las leyes locales, los recursos indicados en esta Declaración de garantía son los únicos y exclusivos recursos de los que dispone el cliente.
2. HASTA EL PUNTO PERMITIDO POR LA LEY LOCAL, EXCEPTO PARA LAS OBLIGACIONES EXPUESTAS ESPECÍFICAMENTE EN ESTA DECLARACIÓN DE GARANTÍA, EN NINGÚN CASO HP O SUS PROVEEDORES SERÁN RESPONSABLES DE LOS DAÑOS DIRECTOS, INDIRECTOS, ESPECIALES, INCIDENTALES O CONSECUENCIALES, YA ESTÉ BASADO EN CONTRATO, RESPONSABILIDAD EXTRA CONTRACTUAL O CUALQUIER OTRA TEORÍA LEGAL, Y AUNQUE SE HAYA AVISADO DE LA POSIBILIDAD DE TALES DAÑOS.

## D. Legislación local

1. Esta Declaración de garantía confiere derechos legales específicos al cliente. El cliente podría también gozar de otros derechos que varían según el estado (en Estados Unidos), la provincia (en Canadá), o la entidad gubernamental en cualquier otro país del mundo.
2. Hasta donde se establezca que esta declaración de garantía contraviene las leyes locales, dicha Declaración de garantía se considerará modificada para acatar tales leyes locales. Bajo dichas leyes locales, puede que algunas declinaciones de responsabilidad y limitaciones estipuladas en esta Declaración de garantía no se apliquen al cliente.

## Información sobre la Garantía limitada del fabricante HP

Su Garantía limitada de HP es una garantía comercial voluntariamente proporcionada por HP. El nombre y dirección de las entidades HP que proporcionan la Garantía limitada de HP (garantía comercial adicional del fabricante) en su país es:

**España:** Hewlett-Packard Española S.L. Calle Vicente Aleixandre, 1 Parque Empresarial Madrid - Las Rozas, E-28232 Madrid

Los beneficios de la Garantía limitada de HP son adicionales a la garantía legal de 2 años a la que los consumidores tienen derecho a recibir del vendedor en virtud del contrato de compraventa; sin embargo, varios factores pueden afectar su derecho a recibir los beneficios bajo dicha garantía legal. A este respecto, la Garantía limitada de HP no limita o afecta en modo alguno los derechos legales del consumidor.

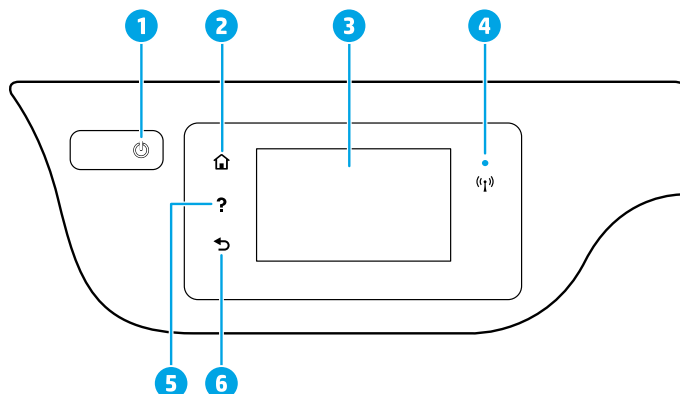
Para más información, consulte el siguiente enlace: Garantía legal del consumidor o puede visitar el sitio web de los Centros europeos de los consumidores. Los clientes tienen derecho a elegir si reclaman un servicio acogiéndose a la Garantía limitada de HP o al vendedor de conformidad con la garantía legal de dos años.

Para obtener más información, consulte el siguiente vínculo: la garantía legal del consumidor ([www.hp.com/go/eu-legal](http://www.hp.com/go/eu-legal)) o puede visitar el sitio web del centro europeo del consumidor ([http://ec.europa.eu/consumers/solving\\_consumer\\_disputes/non-judicial\\_redress/ecc-net/](http://ec.europa.eu/consumers/solving_consumer_disputes/non-judicial_redress/ecc-net/)).



Besoin d'aide ? [www.hp.com/support/oj3830](http://www.hp.com/support/oj3830)

## Panneau de commande de l'imprimante



1 Bouton **Marche/Arrêt** : Permet d'allumer ou d'éteindre l'imprimante.

2 Bouton **Accueil** : Renvoie à l'écran d'accueil qui s'affiche lorsque vous mettez pour la première fois l'imprimante sous tension.

3 **Écran du panneau de commande** : Touchez l'écran pour sélectionner les options du menu et parcourez les éléments du menu.

Voyant **Sans fil** : Indique l'état de la connexion sans fil de l'imprimante.

- Un voyant bleu figé indique que la connexion sans fil a été établie et que vous pouvez imprimer.
- Un voyant clignotant lentement indique que l'option sans fil est activée mais que l'imprimante n'est connectée à aucun réseau. Assurez-vous que l'imprimante se trouve dans la plage de signaux sans fil.
- Un voyant qui clignote rapidement indique une erreur de connexion sans fil. Reportez-vous aux messages affichés sur l'écran de l'imprimante.
- Si la liaison sans fil est désactivée, le voyant de la connexion sans fil est éteint et l'écran d'affichage indique **Sans fil désactivé**.

5 Bouton **Aide** : Affiche le contenu de l'aide si elle disponible pour l'opération en cours.

6 Bouton **Précédent** : Retourne à l'écran précédent.



**Numériser** : Utilisez l'application HP Smart ou le logiciel de l'imprimante pour numériser. Pour plus d'informations sur la numérisation, rendez-vous sur le site [www.hp.com/support/oj3830](http://www.hp.com/support/oj3830).

## Configuration sans fil

Visitez [123.hp.com/setup](http://123.hp.com/setup) pour installer l'application HP Smart ou le logiciel de l'imprimante HP et connectez l'imprimante à votre réseau (2,4 GHz pris en charge).

**Remarque à l'attention des utilisateurs Windows®** : vous pouvez également utiliser le CD du logiciel de l'imprimante HP. Si votre imprimante n'est pas livrée avec un CD, vous pouvez en commander un sur le site [www.support.hp.com](http://www.support.hp.com).

### Si la connexion de votre imprimante au réseau n'a pas pu être établie

Plus d'informations : [www.hp.com/go/wifihelp](http://www.hp.com/go/wifihelp) pour obtenir de l'aide sur la configuration sans fil.



### Partagez l'imprimante avec des ordinateurs et d'autres périphériques de votre réseau

Après avoir connecté votre imprimante à votre réseau sans fil, vous pouvez la partager avec plusieurs ordinateurs et périphériques portables connectés sur ce même réseau. Sur chaque périphérique, installez l'application HP Smart ou le logiciel de l'imprimante depuis le site [123.hp.com/setup](http://123.hp.com/setup).

### Passez d'une connexion USB à une connexion sans fil

Plus d'informations : [www.hp.com/go/usbtowifi](http://www.hp.com/go/usbtowifi).

### Utilisez l'imprimante sans fil sans routeur (Wi-Fi Direct)

Assurez-vous que le protocole Wi-Fi Direct est activé. Pour vérifier l'état de Wi-Fi Direct, le nom du réseau et le mot de passe, touchez  (Wi-Fi Direct) puis  (Paramètres) sur l'écran du panneau de contrôle de l'imprimante.

Plus d'informations : [www.hp.com/go/wifidirectprinting](http://www.hp.com/go/wifidirectprinting).

Ce produit est conçu pour une utilisation en environnements ouverts (par exemple, à domicile et sans connexion à un réseau Internet public), dans lesquels toute personne peut accéder à l'imprimante et l'utiliser. Ainsi, les paramètres Wi-Fi Direct se trouvent par défaut en mode « Automatique », sans mot de passe administrateur, ce qui permet à toute personne située dans la zone couverte par le réseau sans fil de se connecter et d'accéder à toutes les fonctions et aux paramètres de l'imprimante. Si vous souhaitez un niveau de sécurité plus élevé, HP conseille de modifier la méthode de connexion Wi-Fi Direct de « Automatique » à « Manuel » et de définir un mot de passe administrateur. Vous pouvez modifier les paramètres de sécurité à partir de la page d'accueil de l'imprimante (serveur web intégré ou EWS). Pour obtenir de l'aide sur EWS, consultez le guide de l'utilisateur sur le site [www.hp.com/support/oj3830](http://www.hp.com/support/oj3830) ou l'Aide électronique.

## Configurer le fax

Vous pouvez configurer le fax à l'aide du logiciel de l'imprimante HP (recommandé) ou du panneau de commande de l'imprimante.

- **Windows** : Utilisez l'Assistant Fax lors de l'installation du logiciel. Pour configurer après l'installation du logiciel, ouvrez le logiciel de l'imprimante en double-cliquant sur l'icône avec le nom de l'imprimante sur le bureau, accédez à l'onglet **Fax** puis sélectionnez **Assistant de configuration Fax**.
- **OS X** : Après l'installation du logiciel, à partir de l'utilitaire HP Utility, utilisez les Paramètres Fax de base.
- **Écran du panneau de commande** : Touchez **Fax** sur l'écran d'accueil, puis **Configuration**.

Pour plus d'informations, rendez-vous sur le site [www.hp.com/support/oj3830](http://www.hp.com/support/oj3830).

## Résolution des problèmes courants

- Vérifiez que vous avez installé la dernière version de l'application HP Smart ou du logiciel de l'imprimante depuis le site [123.hp.com](http://123.hp.com).
- Si vous utilisez un câble USB, assurez-vous que le câble est correctement connecté et que l'imprimante est définie comme imprimante par défaut.
- Si votre ordinateur est connecté à l'imprimante avec une connexion sans fil, assurez-vous que l'imprimante est connectée au même réseau que celui du périphérique à partir duquel vous lancez une impression.

**Remarque à l'attention des utilisateurs Windows®** : Consultez HP Diagnostic Tools à l'adresse [www.hp.com/go/tools](http://www.hp.com/go/tools) pour corriger les problèmes d'impression courants.

## En savoir plus



### Assistance produit

[www.hp.com/support/oj3830](http://www.hp.com/support/oj3830)



### Impression mobile HP

[www.hp.com/go/mobileprinting](http://www.hp.com/go/mobileprinting)

- Obtenez une aide supplémentaire et retrouvez des avis, des informations environnementales et réglementaires, y compris les déclarations de conformité et les avis d'application de la réglementation de l'Union européenne, dans la section « Informations techniques » du manuel de l'utilisateur : [www.hp.com/support/oj3830](http://www.hp.com/support/oj3830).
- Enregistrement de l'imprimante : [www.register.hp.com](http://www.register.hp.com).
- Déclaration de conformité : [www.hp.eu/certificates](http://www.hp.eu/certificates).
- Consommation d'encre : [www.hp.com/go/inkusage](http://www.hp.com/go/inkusage).

## Informations de sécurité

Utilisez uniquement le cordon d'alimentation et l'adaptateur secteur éventuellement fournis par HP.

## Informations sur les cartouches

**Cartouches** : pendant l'installation, lorsque vous êtes invité à placer des cartouches, vérifiez que vous utilisez celles qui étaient fournies avec l'imprimante.

**Stockage d'informations anonymes sur l'utilisation** : les cartouches HP utilisées avec cette imprimante contiennent une puce mémoire qui contribue à son fonctionnement et stocke une série limitée d'informations anonymes sur son utilisation. Ces renseignements peuvent servir à améliorer les futures imprimantes HP. Consultez le guide de l'utilisateur sur le site [www.hp.com/support/oj3830](http://www.hp.com/support/oj3830).

## Numéro de modèle réglementaire

Pour des motifs réglementaires d'identification, un numéro réglementaire de modèle a été affecté à votre produit. Le numéro de modèle réglementaire de votre périphérique est SNPRH-1502. Il ne faut pas confondre ce numéro réglementaire avec le nom commercial (imprimante HP OfficeJet série 3830 tout-en-un, etc.) ou la référence des produits (F5R95A, etc.).

---

## Marques

Microsoft et Windows sont soit des marques soit des marques déposées de Microsoft Corporation aux États-Unis et/ou dans d'autres pays.

Mac et OS X sont des marques déposées d'Apple, Inc. aux États-Unis et dans d'autres pays.

# Déclaration de garantie limitée de l'imprimante HP

Produit HP	Période de garantie limitée
Supports logiciels	90 jours
Imprimante	Matériel garanti 1 an
Cartouches d'encre	Jusqu'à épuisement de l'encre HP ou jusqu'à expiration de la date de garantie imprimée sur la cartouche (selon le cas qui se produira en premier). Cette garantie ne couvre pas les produits utilisant de l'encre HP qui ont été reconditionnés, mal utilisés ou altérés.

## A. Extension de garantie limitée

1. Cette garantie limitée HP s'applique uniquement aux produits de marque HP vendus ou loués a) par HP Inc., ses succursales, ses filiales, ses revendeurs agréés, ses distributeurs autorisés ou ses distributeurs dans les pays ; b) avec cette garantie limitée HP.
2. HP Inc. (HP) garantit au client utilisateur final que les produits HP spécifiés ci-dessus sont exempts de vices de matériaux et de fabrication pendant la durée spécifiée ci-dessus (la « Période de garantie limitée »), laquelle Période de garantie limitée commence le jour où le produit matériel HP a été détecté pour la première fois lors du démarrage initial, dont la date est réputée la « date du premier démarrage ». Ou bien, si le produit matériel HP n'a pas été détecté à ce moment-là, la Période de garantie limitée commence au plus tard à la date d'achat ou de location auprès de HP, ou du fournisseur de services agréé par HP ou, le cas échéant, auprès du fournisseur de services agréé par HP qui a terminé l'installation.
3. Pour les logiciels, la garantie limitée HP est valable uniquement en cas d'impossibilité d'exécuter les instructions de programmation. HP ne garantit pas que le fonctionnement du logiciel ne connaîtra pas d'interruptions ni d'erreurs.
4. La garantie limitée HP ne couvre que les défauts qui apparaissent dans le cadre de l'utilisation normale du produit et ne couvre aucun autre problème, y compris ceux qui surviennent du fait :
  - a. d'une mauvaise maintenance ou d'une modification ;
  - b. de logiciels, de supports, de pièces ou de consommables non fournis ou non pris en charge par HP ;
  - c. du fonctionnement du produit hors de ses caractéristiques ; ou
  - d. d'une modification non autorisée ou d'une mauvaise utilisation.
5. Pour les imprimantes HP, l'utilisation d'une cartouche d'un autre fournisseur ou d'une cartouche rechargée n'entraîne pas la résiliation de la garantie ni d'un contrat de support HP. Toutefois, si la panne ou les dégâts peuvent être attribués à l'utilisation d'une cartouche d'un autre fournisseur, d'une cartouche rechargée ou d'une cartouche périmée, HP facturera les montants correspondant au temps et au matériel nécessaires à la réparation de l'imprimante.
6. Si, pendant la période de garantie applicable, HP est informé d'une défaillance concernant un produit couvert par la garantie HP, HP choisira de réparer ou de remplacer le produit défectueux.
7. Si HP est dans l'incapacité de réparer ou de remplacer, selon le cas, un produit défectueux couvert par la garantie HP, HP devra, dans un délai raisonnable après avoir été informé du défaut, rembourser le prix d'achat du produit.
8. HP ne sera tenu à aucune obligation de réparation, de remplacement ou de remboursement tant que le client n'aura pas retourné le produit défectueux à HP.
9. Tout produit de remplacement peut être neuf ou comme neuf et comporte les fonctionnalités semblables au produit remplacé.
10. Les produits HP peuvent contenir des pièces, des composants ou des matériels reconditionnés équivalents à des neufs en termes de performances.
11. La garantie limitée HP est valable dans tout pays dans lequel le produit HP couvert est distribué par HP. Des contrats apportant des services de garantie supplémentaires, tels que la réparation sur site, sont disponibles auprès des services de maintenance agréés par HP dans les pays dans lequel le produit est distribué par HP ou par un importateur agréé.

## B. Restrictions de garantie

DANS LA MESURE OÙ LES LOIS LOCALES L'AUTORISENT, HP OU SES FOURNISSEURS TIERS NE FONT AUCUNE AUTRE GARANTIE OU CONDITION, EXPRESSE OU IMPLICITE, EN CE QUI CONCERNE LES PRODUITS HP ET NIENT TOUTE GARANTIE IMPLICITE DE COMMERCIALISATION, DE QUALITÉ SATISFAISANTE OU D'ADAPTATION À UN BUT PARTICULIER.

## C. Restrictions de responsabilité

1. Dans la mesure où les lois locales l'autorisent, les recours énoncés dans cette déclaration de garantie constituent les recours exclusifs du client.
2. DANS LA MESURE OÙ LES LOIS LOCALES L'AUTORISENT, EXCEPTION FAITE DES OBLIGATIONS SPÉCIFIQUEMENT ÉNONCÉES DANS LA PRÉSENTE DÉCLARATION DE GARANTIE, HP OU SES FOURNISSEURS TIERS NE POURRONT ÊTRE TENUS POUR RESPONSABLES DE DOMMAGES DIRECTS, INDIRECTS, SPÉCIAUX OU ACCIDENTELS, QU'ILS SOIENT BASÉS SUR UN CONTRAT, UN PRÉJUDICE OU TOUTE AUTRE THÉORIE LÉGALE, QUE CES DOMMAGES SOIENT RÉPUTÉS POSSIBLES OU NON.

## D. Lois locales

1. Cette déclaration de garantie donne au client des droits juridiques spécifiques. Le client peut également posséder d'autres droits selon les états des Etats-Unis, les provinces du Canada, et les autres pays ou régions du monde.
2. Si cette déclaration de garantie est incompatible avec les lois locales, elle sera considérée comme étant modifiée pour être conforme à la loi locale. Selon ces lois locales, certaines clauses de non-responsabilité, renoncements et limitations de cette déclaration de garantie peuvent ne pas s'appliquer au client.