



HP 零售 RP7 VFD 客户显示器 安装说明



© Copyright 2012 Hewlett-Packard Development Company, L.P. 本文档中的内容可能随时变更，恕不另行通知。HP 产品和服务的所有保修限于这些产品与服务所附带的明确保修声明。本网站中的任何信息均不应被视为构成额外保修。HP 不为本网站中包含的技术或编辑错误或者疏忽承担责任。美国印刷

第二版：2012 年 10 月



691056-AA2

开始之前

安装真空荧光显示屏 (Vacuum Fluorescent Display, VFD) 之前，一定要关闭系统的电源并且将电源线从电源插座上拔出。

警告！ 为避免受到严重伤害，安装 VFD 前请务必从电源插座上拔下电源线。否则可能存在触电风险。

注意： 为避免对系统造成损坏，安装 VFD 前请务必从墙壁电源插座上拔下电源线。

在线技术支持

要在线访问技术支持信息、自助工具、联机帮助、社区论坛或 IT 专家、众多供应商的知识库以及监视与诊断工具，请转至 www.hp.com/support。

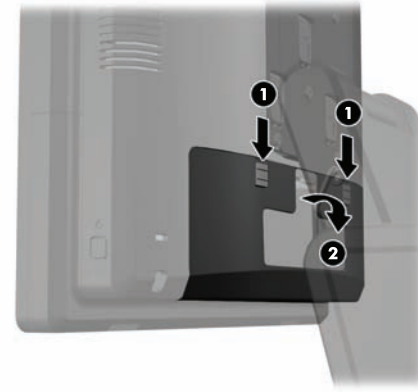
本文档的本地化版本

以下网站提供本文档的本地化版本：
www.hp.com 上提供的本地化版本包括：

- 简体中文
- 繁体中文
- 印度尼西亚文
- 巴西葡萄牙文
- 西班牙文
- 日语
- 韩语
- 泰文
- 德文
- 意大利文
- 荷兰文
- 英文
- 法文

安装 VFD

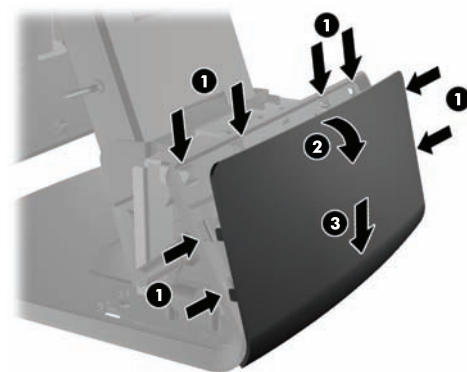
1. 将后 I/O 面板上角的两个拉杆下滑 ①，然后将封盖旋转脱开 ②。



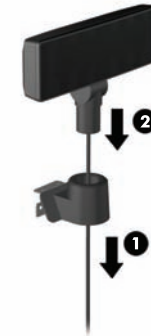
2. 向后拉电源盖，然后上提使其脱离设备。



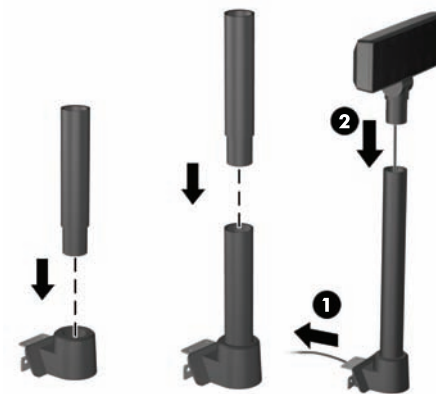
3. 如下所示，当从设备后面拆卸装饰性面板时，在面板顶部和侧面的卡舌位置轻轻地使面板撬离基座 ①。然后将面板顶部从基座拉开 ②，再径直向下推面板，释放底部卡舌 ③。



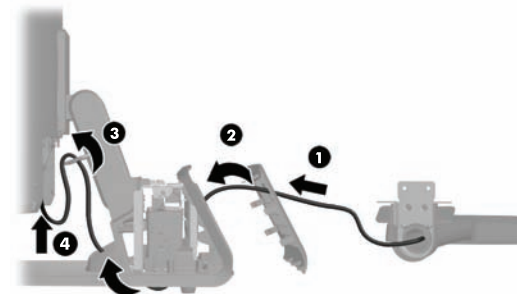
4. 若不使用支杆安装 VFD，则使用下列方法安装 VFD 显示器：将 VFD 电缆穿过安装支架的中心 ①，然后将 VFD 插入到安装支架上 ②。



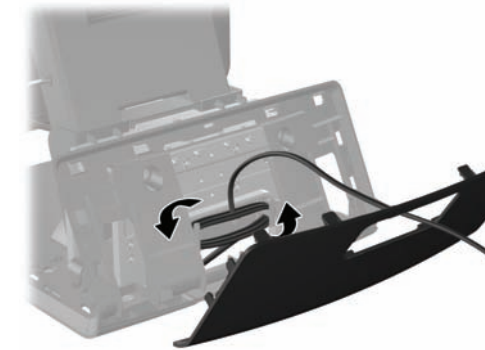
5. 若使用支杆安装 VFD，将一节或两节支杆穿入到安装支架（具体取决于所需的 VFD 高度）。将 VFD 电缆从支杆组件顶部穿到安装支架底部 ①，然后将 VFD 插在支杆组件上 ②。



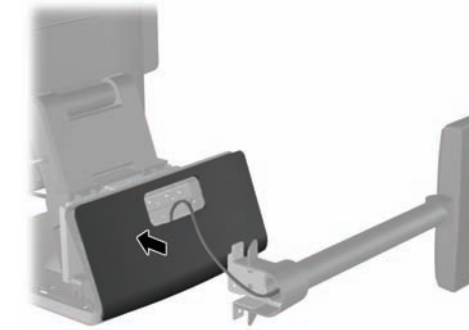
6. 从安装好的支杆上，将 VFD 电缆穿过 VFD 附带的新装饰面板上的孔 ①，然后穿过基座后面 ② 并穿出基座前面。继续将扩展电缆向上穿过电缆护圈 ③ 并将 VFD 电缆连接到 RP7 上的 12 伏 USB 端口 ④。



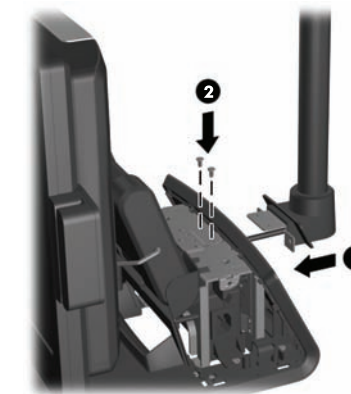
7. 将剩余的扩展电缆缠绕在基座后面的挂钩周围。



8. 将装饰性面板放置到基座后面，然后下按面板，使其卡固到位。



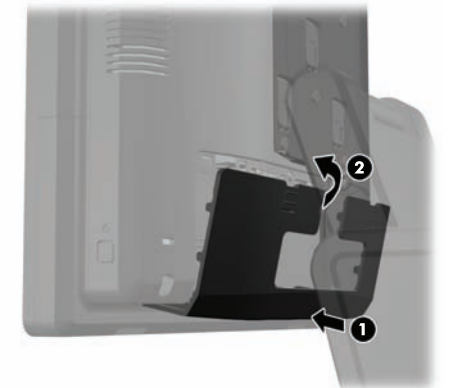
9. 将 VFD 安装支架滑入 RP7 基座后面的安装孔内 ①，并安装 VFD 附带的两个螺钉到安装支架顶部的螺钉孔内 ②。



10. 将电源封盖放低至基座颈部，然后向后滑动，直到扣入到位，将其重新安装好。



11. 通过将封盖底部的挂钩置入机箱底部的插槽内，重新将后 I/O 封盖安装好 ①。然后旋转 I/O 封盖顶部，使其牢固地扣入机箱 ②。



要配置 VFD，请参阅《HP Point of Sale Configuration Guide》(HP 销售点配置指南，仅提供英文版)。RP7 系统硬盘驱动器中的 HP 出厂映像和 www.hp.com 上均含有该指南。若要查看出厂映像中的该指南，请执行以下操作：

- 在 Windows XP 或 Windows Embedded POSReady 2009 中，选择 **开始** > **所有程序** > HP Point of Sale Information。
- 在 Windows 7 或 Windows Embedded POSReady 7 中，选择 **开始** > HP Point of Sale Information。

请在 www.hp.com 上查看在产品生产之后至产品提交给您这段时间内发布的可用软件和文档。

Federal Communications Commission Notice

This equipment has been tested and found to comply with the limits for a Class B digital device, pursuant to Part 15 of the FCC Rules. These limits are designed to provide reasonable protection against harmful interference in a residential installation. This equipment generates, uses, and can radiate radio frequency energy and, if not installed and used in accordance with the instructions, may cause harmful interference to radio communications. However, there is no guarantee that interference will not occur in a particular installation. If this equipment does cause harmful interference to radio or television reception, which can be determined by turning the equipment off and on, the user is encouraged to try to correct the interference by one or more of the following measures:

- Reorient or relocate the receiving antenna.
- Increase the separation between the equipment and the receiver.
- Connect the equipment into an outlet on a circuit different from that to which the receiver is connected.
- Consult the dealer or an experienced radio or television technician for help.

Modifications

The FCC requires the user to be notified that any changes or modifications made to this device that are not expressly approved by Hewlett-Packard Company may void the user's authority to operate the equipment.

Cables

Connections to this device must be made with shielded cables with metallic RFI/EMI connector hoods in order to maintain compliance with FCC Rules and Regulations.

Declaration of Conformity for Products Marked with the FCC Logo (United States Only)

This device complies with Part 15 of the FCC Rules. Operation is subject to the following two conditions:

- 1.** This device may not cause harmful interference.
- 2.** This device must accept any interference received, including interference that may cause undesired operation.

For questions regarding the product, contact:

Hewlett Packard Company
P. O. Box 692000, Mail Stop 530113
Houston, Texas 77269-2000
Or, call 1-800-HP-INVENT (1-800 474-6836)

For questions regarding this FCC declaration, contact:

Hewlett Packard Company
P. O. Box 692000, Mail Stop 510101
Houston, Texas 77269-2000
Or, call (281) 514-3333

To identify this product, refer to the Part, Series, or Model number found on the product.

Canadian Notice

This Class B digital apparatus complies with Canadian ICES-003.

Avis Canadien

Cet appareil numérique de la classe B est conforme à la norme NMB-003 du Canada.

European Union Regulatory Notice

Products bearing the CE marking comply with the following EU Directives:

- Low Voltage Directive 2006/95/EC
- EMC Directive 2004/108/EC
- Ecodesign Directive 2009/125/EC, where applicable
- RoHS Directive 2011/65/EU

CE compliance of this product is valid if powered with the correct CE-marked AC adapter provided by HP.

Compliance with these directives implies conformity to applicable harmonized European standards (European Norms) that are listed in the EU Declaration of Conformity issued by HP for this product or product family and available (in English only) either within the product documentation or at the following web site: www.hp.eu/certificates (type the product number in the search field).

The compliance is indicated by the following conformity markings placed on the product:



Please refer to the regulatory label provided on the product.

The point of contact for regulatory matters is Hewlett-Packard GmbH, Dept./MS: HQ-TRE, Herrenberger Strasse 140, 71034 Boeblingen, GERMANY.

Hinweis zur Ergonomie

HP-Produkte, die das GS-Zulassungszeichen, erfüllen in Systemen aus HP-Markencomputern, -Tastaturen und -Monitore mit GS-Zulassungszeichen die maßgeblichen ergonomischen Anforderungen. Die mit den Produkten gelieferten Installationshandbüchern bieten Konfigurationsinformationen.

日本向け

この装置は、クラスB情報技術装置です。この装置は、家庭環境で使用することを目的としていますが、この装置がラジオやテレビジョン受信機に近接して使用されると、受信障害を引き起こすことがあります。取扱説明書に従って正しい取り扱いをして下さい。

VCCI-B

한국어 알림

8급 기기 (가정용 방송통신기기)	이 기기는 가정용(B급)으로 전자파적합등록을 한 기기로서 주로 가정에서 사용하는 것을 목적으로 하며, 모든 지역에서 사용할 수 있습니다.
--------------------	--