



HP Retail RP7 VFD 客戶顯示器 安裝指示



© Copyright 2012 Hewlett-Packard Development Company, L.P. 手冊中所包含之資訊可隨時更改，恕不另行通知。HP 產品和服務的唯一擔保列於隨產品和服務所附的明示保證聲明中。本文件的任何部分都不可構成任何額外的擔保。HP 對於本文件在技術上或編輯上的錯誤或疏失並不負擔任何責任。印刷地

第二版：2012 年 10 月



691056-AB2

開始之前

安裝真空螢光顯示器 (VFD) 之前，請務必關閉系統電源並從電源插座拔下電源線。

警告！ 為了避免嚴重傷害的風險，安裝 VFD 之前，請務必從牆上電源插座拔下電源線。否則，可能有觸電的風險。

警告事項： 為了避免系統損壞的風險，安裝 VFD 之前，請務必從牆上電源插座拔下電源線。

線上技術支援

如需在線上存取技術支援資訊、自行疑難排解工具、線上援助、社群論壇或 IT 專家、廣泛的廠商知識庫、監視與診斷工具，請前往 www.hp.com/support。

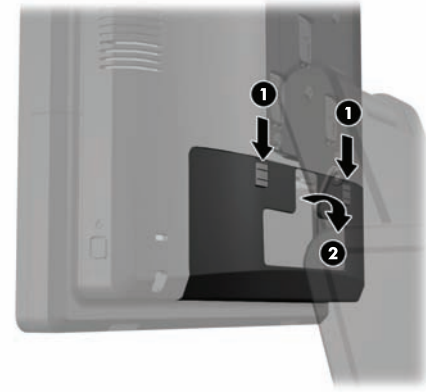
本文件的本土化版本

本文件的本土化版本可在 www.hp.com 取得，提供的語言版本如下：

- 簡體中文
- 繁體中文
- 印度尼西亞文
- 巴西葡萄牙文
- 西班牙文
- 日文
- 韓文
- 泰文
- 德文
- 義大利文
- 荷蘭文
- 英文
- 法文

安裝 VFD

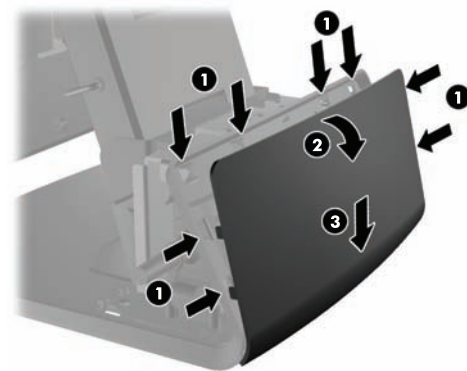
1. 將後面 I/O 面板左上角及右上角的兩個控制桿向下壓 ①，然後將蓋板轉開 ②。



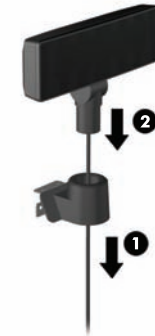
2. 將電源供應器蓋向後拉，然後向上拉起使其脫離裝置。



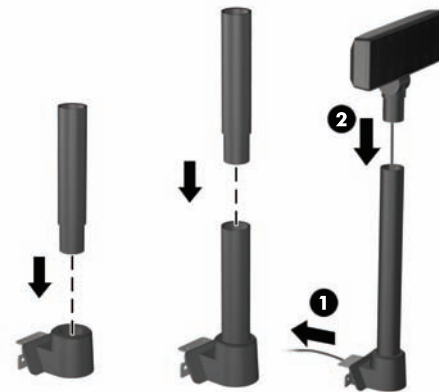
3. 將裝置後面的裝飾面板從面板上方及側面的突出位置輕輕翹起，拆下該面板，如下圖所示 ①。接著將面板從底座拉起 ②，然後直接壓下面板，鬆開最下方的凸片 ③。



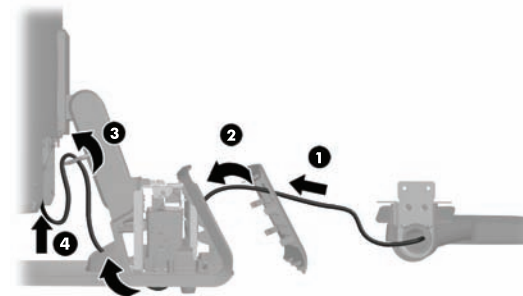
4. 如果要安裝 VFD 但不安裝立柱，請將 VFD 纜線穿過安裝托架的中央 ①，然後將 VFD 推到安裝托架上 ②。



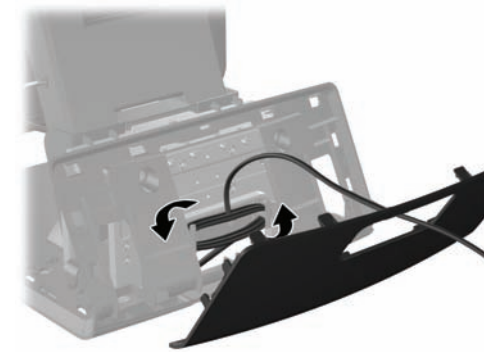
5. 如果要安裝 VFD 及立柱，請根據所需的 VFD 高度，將一或兩根立柱推到安裝托架上。將 VFD 纜線穿過立柱組件的頂端，從安裝托架底部穿出 ①，再將 VFD 推到立柱組件上 ②。



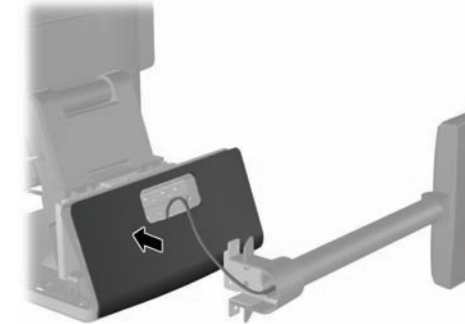
6. 從安裝的立柱，將 VFD 纜線繞經 VFD 隨附之新裝飾面板上的孔 ①，再繞經底座後面 ②，從底座正面繞出。繼續將延長線向上繞過纜線固定夾 ③，然後將 VFD 纜線連接至 RP7 上的 12V USB 連接埠 ④。



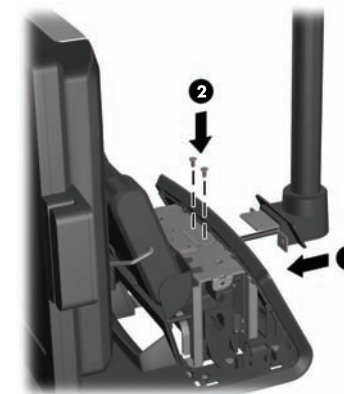
7. 將多餘的延長線纏在底座後面的掛鉤上。



8. 將裝飾面板放在底座後面，然後向下壓以將其推入定位。



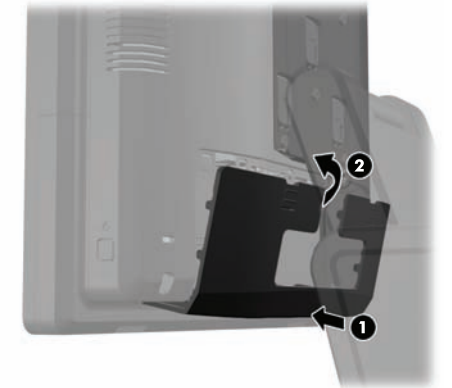
9. 將 VFD 安裝托架推入 RP7 底座後面的安裝孔 ①，再將 VFD 隨附的兩顆螺絲裝入安裝托架最上方的螺絲孔內 ②。



10. 將電源供應器蓋板向下推至底座較細處，然後再向後推至定位，即可裝回電源供應器蓋板。



11. 將蓋板底部的掛鉤放入機箱底部的插槽中，裝回後面 I/O 蓋板 ①。接著將 I/O 蓋板頂端向上旋轉，使其固定在機箱上 ②。



若要設定 VFD，請參閱《HP Point of Sale Configuration Guide (HP Point of Sale 組態指南)》(僅提供英文版)。HP RP7 系統硬碟中的原廠映像及 www.hp.com 皆提供本指南。存取原廠映像中的指南：

- 在 Windows XP 或 Windows Embedded POSReady 2009 中，選取「開始」>「所有程式」>「HP Point of Sale Information」。
- 在 Windows 7 或 Windows Embedded POSReady 7 中，選取「開始」>「HP Point of Sale Information」。

檢查 www.hp.com 中是否有產品製造時間與交付時間之間所提供的更新軟體或說明文件。

Federal Communications Commission Notice

This equipment has been tested and found to comply with the limits for a Class B digital device, pursuant to Part 15 of the FCC Rules. These limits are designed to provide reasonable protection against harmful interference in a residential installation. This equipment generates, uses, and can radiate radio frequency energy and, if not installed and used in accordance with the instructions, may cause harmful interference to radio communications. However, there is no guarantee that interference will not occur in a particular installation. If this equipment does cause harmful interference to radio or television reception, which can be determined by turning the equipment off and on, the user is encouraged to try to correct the interference by one or more of the following measures:

- Reorient or relocate the receiving antenna.
- Increase the separation between the equipment and the receiver.
- Connect the equipment into an outlet on a circuit different from that to which the receiver is connected.
- Consult the dealer or an experienced radio or television technician for help.

Modifications

The FCC requires the user to be notified that any changes or modifications made to this device that are not expressly approved by Hewlett-Packard Company may void the user's authority to operate the equipment.

Cables

Connections to this device must be made with shielded cables with metallic RFI/EMI connector hoods in order to maintain compliance with FCC Rules and Regulations.

Declaration of Conformity for Products Marked with the FCC Logo (United States Only)

This device complies with Part 15 of the FCC Rules. Operation is subject to the following two conditions:

- 1.** This device may not cause harmful interference.
- 2.** This device must accept any interference received, including interference that may cause undesired operation.

For questions regarding the product, contact:

Hewlett Packard Company
P. O. Box 692000, Mail Stop 530113
Houston, Texas 77269-2000
Or, call 1-800-HP-INVENT (1-800 474-6836)

For questions regarding this FCC declaration, contact:

Hewlett Packard Company
P. O. Box 692000, Mail Stop 510101
Houston, Texas 77269-2000
Or, call (281) 514-3333

To identify this product, refer to the Part, Series, or Model number found on the product.

Canadian Notice

This Class B digital apparatus complies with Canadian ICES-003.

Avis Canadien

Cet appareil numérique de la classe B est conforme à la norme NMB-003 du Canada.

European Union Regulatory Notice

Products bearing the CE marking comply with the following EU Directives:

- Low Voltage Directive 2006/95/EC
- EMC Directive 2004/108/EC
- Ecodesign Directive 2009/125/EC, where applicable
- RoHS Directive 2011/65/EU

CE compliance of this product is valid if powered with the correct CE-marked AC adapter provided by HP.

Compliance with these directives implies conformity to applicable harmonized European standards (European Norms) that are listed in the EU Declaration of Conformity issued by HP for this product or product family and available (in English only) either within the product documentation or at the following web site: www.hp.eu/certificates (type the product number in the search field).

The compliance is indicated by the following conformity markings placed on the product:



Please refer to the regulatory label provided on the product.

The point of contact for regulatory matters is Hewlett-Packard GmbH, Dept./MS: HQ-TRE, Herrenberger Strasse 140, 71034 Boeblingen, GERMANY.

Hinweis zur Ergonomie

HP-Produkte, die das GS-Zulassungszeichen, erfüllen in Systemen aus HP-Markencomputern, -Tastaturen und -Monitore mit GS-Zulassungszeichen die maßgeblichen ergonomischen Anforderungen. Die mit den Produkten gelieferten Installationshandbüchern bieten Konfigurationsinformationen.

日本向け

この装置は、クラスB情報技術装置です。この装置は、家庭環境で使用することを目的としていますが、この装置がラジオやテレビジョン受信機に近接して使用されると、受信障害を引き起こすことがあります。取扱説明書に従って正しい取り扱いをして下さい。

VCCI-B

한국어 알림

8급 기기 (가정용 방송통신기기)	이 기기는 가정용(B급)으로 전자파적합등록을 한 기기로서 주로 가정에서 사용하는 것을 목적으로 하며, 모든 지역에서 사용할 수 있습니다.
--------------------	--