



f100

Car Camcorder
User Manual

Preface

About this Manual

This manual is designed to demonstrate the features of your HP Car Camcorder f100. All information presented is as accurate as possible but is subject to change without notice.

HP shall not be liable for technical or editorial errors or omissions contained herein. For the latest reversion, visit www.hp.com/support.

Copyright

This manual contains proprietary information protected by copyright. All rights are reserved. No part of this manual may be reproduced by any mechanical, electronic or other means, in any form, without prior written permission of the manufacturer. © Copyright 2013

Federal Communications Commission notice

This equipment has been tested and found to comply with the limits for a Class B digital device, pursuant to Part 15 of the FCC Rules. These limits are designed to provide reasonable protection against harmful interference in a residential installation. This equipment generates, uses, and can radiate radio frequency energy and, if not installed and used in accordance with the instructions, may cause harmful interference to radio communications. However, there is no guarantee that interference will not occur in a particular installation.

If this equipment does cause harmful interference to radio or television reception, which can be determined by turning the equipment off and on, the user is encouraged to try to correct the interference by one or more of the following measures:

- Reorient or relocate the receiving antenna.
- Increase the separation between the equipment and receiver.
- Connect the equipment to an outlet on a circuit different from that to which the receiver is connected.
- Consult the dealer or an experienced radio or television technician for help.

Modifications:

The FCC requires the user to be notified that any changes or modifications made to this device that are not expressly approved by HP may void the user's authority to operate the equipment.

Trademark Recognition

Windows XP/Vista/Windows 7/Windows 8 are registered trademarks of Microsoft Corporation in the United States and/or other countries. Macintosh and Mac OS are registered trademarks of Apple Inc. In addition, all other companies or product names are trademarks or registered trademarks of their respective companies.

Safety and Handling Precautions

WARNING:

Follow these instructions to prevent damage to the camcorder:

- DO NOT USE UNPROTECTED IN RAIN OR WATER. PREVENT CONTACT WITH ANY KIND OF LIQUIDS
- USE RECOMMENDED ACCESSORIES ONLY
- DO NOT DISASSEMBLE OR ATTEMPT REPAIRS ON YOUR OWN. DISASSEMBLING THE CAMCORDER MAY VOID THE WARRANTY
- THERE ARE NO PARTS OR COMPONENTS INSIDE THAT NEED TO BE MAINTAINED
- REPAIRS WILL BE MADE BY AUTHORIZED SERVICE CENTERS ONLY
- DO NOT TOUCH THE CAMCORDER LENS
- DO NOT USE ABRASIVE CHEMICALS, CLEANING SOLVENTS OR STRONG DETERGENTS TO CLEAN THE PRODUCT. WIPE THE PRODUCT WITH A CLEAN SLIGHTLY DAMP SOFT CLOTH.

ATTENTION!

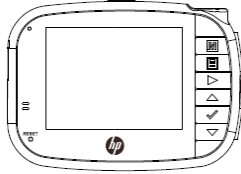
- ELECTROSTATIC DISCHARGE OR STRONG ELECTROMAGNETIC FIELDS CAN AFFECT THE CAMCORDER. RESTART THE CAMCORDER IN THIS CASE.

1. Package Contents

The package contains the following items. In case there is any missing or damaged item, contact your dealer immediately.

2. Product

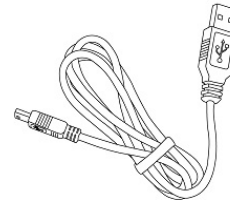
Car Camcorder



Bracket



USB Cable



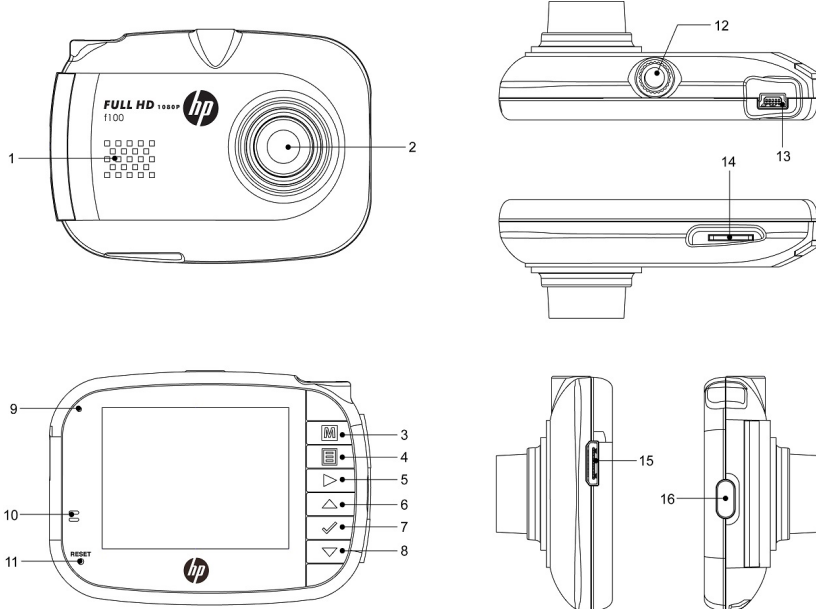
Quick Start Guide



Car adapter



Overview



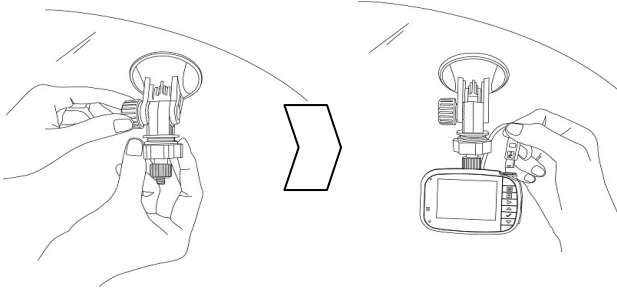
No.	Item
1	Speaker
2	Wide Angle Lens
3	Mode button /
4	Menu button /
5	Playback Button /
6	UP Button /
7	Enter Button /
8	Down Button /
9	LED Light
10	MIC
11	Reset
12	Bracket Socket
13	USB Connector
14	Memory Card Slot
15	HDMI Connector
16	Power Button

1. To operate the device, press the corresponding buttons (9~14) according to the guide icons shown on the screen.
2. Insert the Micro SDHC card and remove the lens protection film if needed before recording.
3. The Micro SDHC card is not included, we suggest using Class 6 or above.

3. Get Ready To Install Your Car Camcorder

1. Insert the Micro SD Card* to the Micro SD Card Slot
2. Insert the bracket to the car recorder
3. Choose a good spot on the windshield which will not block your view while driving and attach it to the windshield
4. Connect your car recorder to the car lighter with car adapter

* Note: The SD Card is not included in the package. 4GB Class 6 is recommended.



4. Cautions

1. Attach the driving recorder to a suitable spot which does not block your view while driving.
2. Do back-up your SD card before format it.
3. Do NOT remove the SD card when the driving recorder is on.
4. If your car lighter provides electricity after your car is off, make sure to unplug the car charger otherwise the car battery will run out.

5. Auto Power On/Off

Once the vehicle engine is started, the device automatically turns on; the REC icon at the top of the screen on the left will start to blink. If the *Automatic Record* function is enabled, the recording will automatically start right after the device turns on.

Once the vehicle engine shuts down, the device automatically saves the recording and turns off the power within 15 seconds (depends on seconds you select when you shut down).

6. Manual Power On/Off

To manually turn on the power, press the **POWER** button.

To turn off, press and hold the **POWER** button for at least two seconds.

LED Indicator	
Blue	Turn on DVR, Recording
Blue Blinking	Battery charging

Note:

On some cars, the recording will continue when the engine is switched off.

If this happens, do one of the following:

- Manually turn off the cigarette lighter.
- Remove the car adapter from the cigarette lighter.

7. Recording a Video

When the vehicle engine starts up and the Automatic Record function is enabled, the device automatically turns on and starts recording.

Recording will automatically stop when the engine is switched off.

Or, press the button to stop recording manually and press the again to start recording.

8. Taking a photo

Press the mode switch to capture function and press to take a picture.

9. Playback a file

Press the button to view files, use the mode button to switch normal video, protected video or photo, and use to select desired videos or photos.

10. Adjust the Menu setting

You can customize the general Setting, video mode, playback via the on-screen display (OSD) menus.

Use to select function.

1. Press the button and use the mode button to change the menu for general setting, recording setting, or playback.
2. Press the button to select a menu option and to press the button to enter the selected menu.
3. Press the button to select the desired setting and press the button to confirm the setting.
4. Press the menu button to exit the menu.

11. Vibration detection

Under recording mode, press the Menu and use mode button switch to Rec. Mode and use to select the vibration detection and press to make sure the sensitivity is High/Normal/Low or Off.

12. Deleting a file

Select the file you want to delete, under playback mode use ▲/▼ to select the Delete function, and press ✓ to delete one or all the files.

Note:

Under Recording, press Up button to turn off voice; and press Down button for screen sleep mode.

The vibration detection function will create an emergency file which will be overwritten if the memory is full. The system will show «no space to save emergency file». You need to clear the memory card of unwanted files. Otherwise, the emergency file will start to overwrite existing files.

13. Possible Recording Time

In the recording mode, you can set the time to one, three or five minutes. When the time is up, a new file will start to be recorded. The following list shows you how many files can be stored depending on the size of your Micro HCSD card.

Setting for 3 mins	720p 30fps	1080p 30fps 720p 60fps	Setting for 5 mins	720p 30fps	1080p 30fps 720p 60fps
4GB	24 files	12 files	4GB	14 files	7 files
8GB	48 files	24 files	8GB	28 files	14 files
16GB	96 files	48 files	16GB	56 files	28 files
32GB	192 files	96 files	32GB	112 files	56 files

Note:

Since the vehicle recorder and the overwrite design are different than a regular camcorder, when the memory is full, it will start to overwrite the files.