



# HP PageWide XL 8000 Printer

User Guide

© Copyright 2015, 2018 HP Development Company, L.P.

Edition 7

#### **Legal notices**

The information contained herein is subject to change without notice.

The only warranties for HP products and services are set forth in the express warranty statement accompanying such products and services. Nothing herein should be construed as constituting an additional warranty. HP shall not be liable for technical or editorial errors or omissions contained herein.

#### **Trademarks**

Adobe®, Acrobat®, Adobe Photoshop®, and PostScript® are trademarks of Adobe Systems Incorporated.

Corel® is a trademark or registered trademark of Corel Corporation or Corel Corporation Limited.

ENERGY STAR and the ENERGY STAR mark are registered U.S. trademarks.

Microsoft® and Windows® are U.S. registered trademarks of Microsoft Corporation.

PANTONE® is Pantone, Inc.'s check-standard trademark for color.

---

# Table of contents

<b>1 Introduction</b> .....	<b>1</b>
Welcome to your printer .....	2
Safety precautions .....	2
Main components .....	7
Front panel .....	8
HP Utility .....	12
Embedded Web Server .....	13
Turn the printer on and off .....	14
Internal prints .....	14
Preparing your printer .....	15
Accessibility .....	27
Other sources of information .....	28
<b>2 Paper handling</b> .....	<b>29</b>
General information and tips .....	30
Supported paper types .....	31
Paper status .....	33
Load paper .....	33
Unload paper .....	38
Paper options .....	38
Store paper .....	38
Cannot load paper .....	39
Protect a paper type .....	39
Paper jam .....	40
<b>3 Ink system</b> .....	<b>55</b>
Ink cartridges .....	56
Print bar .....	59
Cleaning container .....	66
Maintenance cartridge .....	68
Safe mode .....	71
<b>4 Networking</b> .....	<b>72</b>
Introduction .....	73

Control network protocols .....	73
Front-panel menu items .....	73
Link configuration methods .....	77
Troubleshooting .....	77
<b>5 Sending a job to print .....</b>	<b>82</b>
Print from the driver .....	83
Print from a USB flash drive .....	86
Print by email (HP ePrint) .....	87
Select print quality .....	88
<b>6 Queue management .....</b>	<b>90</b>
Job queue introduction .....	91
Job queue actions .....	92
Job queue options .....	94
When to start printing .....	95
Default printing preferences .....	96
Job deletion .....	96
Job queue in the Embedded Web Server .....	96
<b>7 Collection and finishing .....</b>	<b>98</b>
Top stacker .....	99
High-capacity stacker .....	100
HP folders .....	101
Basket .....	111
<b>8 Print quality .....</b>	<b>113</b>
General printing advice .....	114
Optimize print quality app .....	114
Print diagnostic plot .....	115
Advanced options .....	117
Enhanced printhead recovery .....	118
Page length accuracy .....	118
Manual printhead alignment .....	119
<b>9 Maintenance .....</b>	<b>120</b>
Check printer status .....	121
Clean the exterior of the printer .....	121
Move or store the printer .....	121
Move or store the high-capacity stacker .....	122
Move or store the folder .....	122
Replace the folder's tab reel .....	122
Update the firmware .....	127

Secure File Erase .....	129
Disk Wipe .....	129
<b>10 Accessories .....</b>	<b>130</b>
How to order .....	130
List of accessories .....	130
Non-HP accessories .....	130
<b>11 When you need help .....</b>	<b>132</b>
Request support .....	133
Customer Self-Repair .....	133
Service information .....	133
<b>12 Retrieving printer usage information .....</b>	<b>134</b>
Get printer usage and accounting information .....	135
Get usage information .....	135
Get detailed job accounting information .....	137
<b>13 Printer specifications .....</b>	<b>139</b>
Functional specifications .....	140
Physical specifications .....	141
Memory specifications .....	141
Power specifications .....	141
Environmental specifications .....	141
Acoustic specifications .....	142
Speed specifications (Lines/Fast mode) .....	142
<b>14 Front-panel error messages .....</b>	<b>143</b>
<b>Glossary .....</b>	<b>144</b>
<b>Index .....</b>	<b>147</b>



---

# 1 Introduction

- [Welcome to your printer](#)
- [Safety precautions](#)
- [Main components](#)
- [Front panel](#)
- [HP Utility](#)
- [Embedded Web Server](#)
- [Turn the printer on and off](#)
- [Internal prints](#)
- [Preparing your printer](#)
- [Accessibility](#)
- [Other sources of information](#)

## Welcome to your printer

Your printer is a color inkjet printer designed for high-productivity print speed in monochrome and color. Some major features:

- Print up to 30 D/A1 pages/min.
- Deliver mixed monochrome and color sets with a consolidated workflow.
- Start printing faster with an ultra-fast processor, plus native PDF management or HP SmartStream software.
- Free up the operator when using accessories such as the production stacker, online folder, up to six rolls, and dual ink supplies with auto-switch.
- Print GIS map and point-of-sale (POS) poster applications at breakthrough speeds.
- Set a technical document standard with crisp lines, fine detail, and smooth grayscales.
- HP PageWide XL pigment ink for dark blacks, vivid colors, and moisture/fade resistance, even on uncoated bond paper.
- Print on a wide range of papers up to 40 in (101.6 cm) wide, covering ISO/US technical and offset standards.
- Low cost of operation in monochrome and color versus LED, with long-life printheads and high ink efficiency.
- Reduce downtime with cloud-based support, self-monitoring, proactive alerts, and automatic maintenance.

## Safety precautions

Before using your printer, read, understand, and follow these safety precautions, and your local Environmental, Health, and Safety regulations, to make sure you can use the equipment safely.

You are expected to have the appropriate technical training and experience necessary to be aware of hazards to which you may be exposed in performing a task, and take appropriate measures to minimize the risks to yourself and to other people.


### General safety guidelines


- There are no operator-serviceable parts inside the printer except those covered by HP's Customer Self Repair program (see <http://www.hp.com/go/selfrepair/>). Refer servicing of other parts to qualified service personnel.
- Turn off the printer and call your service representative in any of the following cases:
  - The power cord or plug is damaged.
  - The drying enclosures are damaged (Asia-Pacific and Japan only).
  - The printer has been damaged by an impact.
  - There is any mechanical or enclosure damage.
  - Liquid has entered the printer.



- There is smoke or an unusual smell coming from the printer.
- The printer has been dropped.
- The drying module has been damaged (Asia-Pacific and Japan only).
- The printer is not operating normally.
- Turn off the printer in either of the following cases:
  - During a thunderstorm
  - During a power failure
- Take special care with zones marked with warning labels.

## Electrical shock hazard

 **WARNING!** The internal circuits of the built-in power supplies and power inlet operate at hazardous voltages capable of causing death or serious personal injury.

 **WARNING!** The internal circuits of the drying system (Asia-Pacific and Japan only) operate at hazardous voltages capable of causing death or serious personal injury.

The printer uses one power cord. Unplug the power cord before servicing the printer.

To avoid the risk of electric shock:

- The printer must be connected to earthed mains outlets only.
- Do not attempt to dismantle the drying modules (Asia-Pacific and Japan only).
- Do not remove or open any other closed system covers or plugs.
- Do not insert objects through slots in the printer.
- Take care not to trip over the cables when walking behind the printer.

## Heat hazard (Asia-Pacific and Japan only)

The printer's drying subsystem operates at high temperatures and can cause burns if touched. To avoid personal injury, take the following precautions:

- Let the printer cool down before accessing the paper output area in case of a paper jam.
- Let the printer cool down before performing some maintenance operations.

## Fire hazard

The internal parts of the printer's drying subsystem (Asia-Pacific and Japan only) operate at high temperatures.

To avoid the risk of fire, take the following precautions:

- The customer is responsible for meeting the printer's requirements and the Electrical Code requirements according to the local jurisdiction of the country where the equipment is installed. Use the power supply voltage specified on the nameplate.
- Use only the power cord supplied by HP with the printer. Do not use a damaged power cord. Do not use the power cord with other products.
- Do not insert objects through slots in the printer.
- Take care not to spill liquid on the printer. After cleaning, make sure all components are dry before using the printer again.
- Do not use aerosol products that contain flammable gases inside or around the printer. Do not operate the printer in an explosive atmosphere.
- Do not block or cover the openings of the printer.
- Do not attempt to dismantle or modify the drying modules (Asia-Pacific and Japan only).

## Mechanical hazard

The printer has moving parts that could cause injury. To avoid personal injury, take the following precautions when working close to the printer:

- Keep your clothing and all parts of your body away from the printer's moving parts.
- Avoid wearing necklaces, bracelets, and other hanging objects.
- If your hair is long, try to secure it so that it will not fall into the printer.
- Take care that sleeves or gloves do not get caught in the printer's moving parts.
- Do not operate the printer with covers bypassed.
- Do not try to dismantle the cutter assembly: refer servicing to qualified service personnel.
- Do not stand on the drawers: the printer could fall over.

## Light radiation hazard

Light radiation is emitted from the beacon, ink level indicators, paper drawer indicators, and formatter status indicators. The emitted light is in compliance with the requirements of the exempt group of IEC 62471:2006, *Photobiological safety of lamps and lamp systems*. Do not modify these modules.

## Heavy paper hazard

Special care must be taken to avoid personal injury when handling heavy rolls of paper.

- Handling heavy rolls may require more than one person. Care must be taken to avoid back strain and/or injury.
- Consider using a forklift, pallet truck, or other handling equipment.

- When handling heavy rolls, wear personal protective equipment including boots and gloves.
- Do not exceed the maximum weight of a paper roll: see [Functional specifications on page 140](#).



Paper rolls could weigh up to 18 kg. Follow your local Environmental Health and Safety recommendations for handling heavy paper rolls.

## Ink handling

HP recommends that you wear gloves when handling the ink maintenance cartridge or waste container.


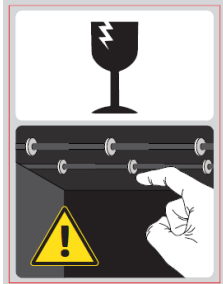
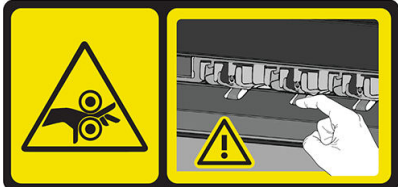

## Warnings and cautions


The following symbols are used in this manual to ensure the proper use of the printer and to prevent the printer from being damaged. Follow the instructions marked with these symbols.

-  **WARNING!** Failure to follow the guidelines marked with this symbol could result in serious personal injury or death.
-  **CAUTION:** Failure to follow the guidelines marked with this symbol could result in minor personal injury or damage to the printer.

## Warning labels

Label	Explanation
	<p>Electric shock hazard. Heating modules operate at hazardous voltages. Disconnect power cord before servicing.</p> <p><b>CAUTION:</b> Double pole. Neutral fusing.</p> <p>Before starting, read and follow the operating and safety instructions.</p>
	<p>Crush hazard. Keep hands away from the moving service carriage.</p> <p>This label is located by the access to the service carriage, on the gas springs, and in the folder.</p>
	<p>You are recommended to wear gloves when handling the cleaning container.</p> <p>This label is located on the cleaning container and by the access to the service carriage.</p>

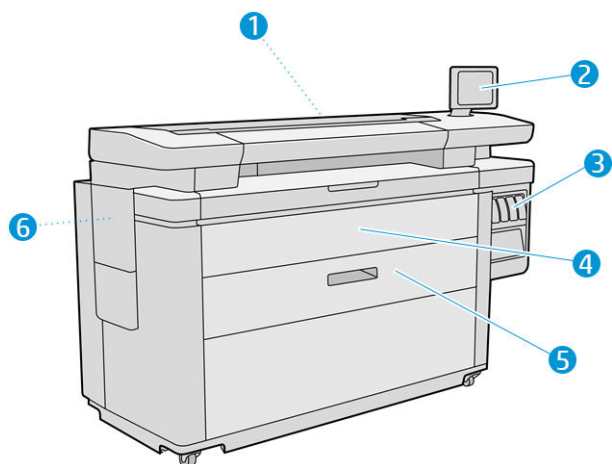
Label	Explanation
	<p>Do not use the drawers as stairs: the printer could overbalance.</p> <p>This label is located on the drawers.</p>
	<p>Do not touch the starwheels: they are fragile.</p> <p>This label is located on each side of the output area.</p>
	<p>Risk of trapped fingers. Do not touch the rollers.</p> <p>This label is located on the high-capacity stacker.</p>
	<p>Risk of trapped fingers. Do not touch the gears while they are moving.</p> <p>This label is located on the high-capacity stacker.</p>

 **NOTE:** The final label position and its size on the printer may vary slightly, but labels should always be visible and close to the potential risk area.

## Main components

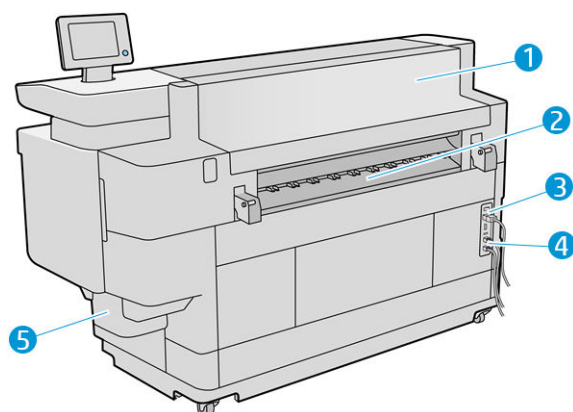
The following front and rear views of the printer illustrate the main components.

### Front view



1. Print bar
2. Front panel
3. Ink cartridges
4. Paper access front cover
5. Drawer
6. Maintenance cartridge

### Rear view



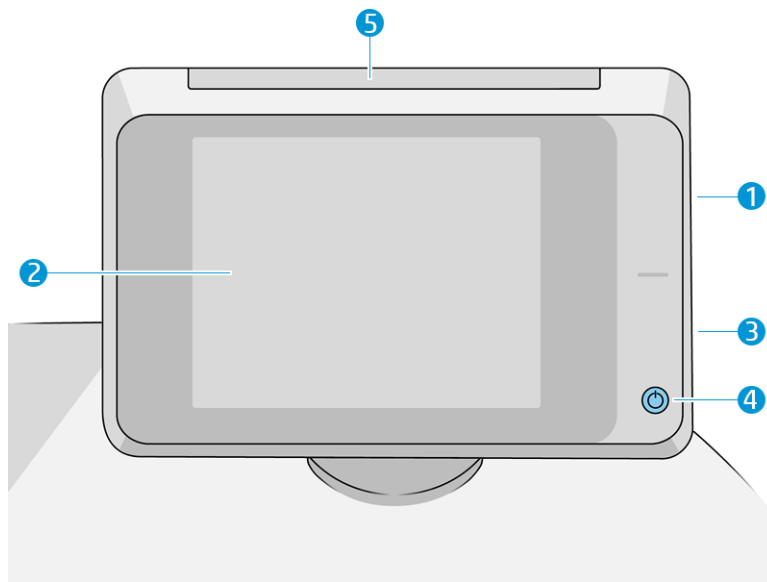
1. Output module
2. Paper output
3. Power switch and plug

4. LAN connections
5. Cleaning container


## Front panel

The front panel is a touch-sensitive screen with a graphical user interface, located on the front right of the printer. It can rotate 360 degrees horizontally, so you can use it from the front or rear of the printer. It can also be tilted to minimize reflections.

It gives you complete control of your printer: from the front panel, you can view information about the printer, change printer settings, monitor printer status, and perform tasks such as supplies replacement and calibrations. The front panel displays alerts (warning and error messages) when necessary.







It includes the following components:

1. A Hi-Speed USB host port, intended for connecting a USB flash drive, which can provide files to be printed or a destination for scanned files. When a USB flash drive is inserted, a USB icon  is displayed on the front panel's home screen.
2. The front panel itself: an 8 inch, full-color, touch-sensitive screen with a graphical user interface.
3. A loudspeaker.
4. The **Power** key, with which you can turn the printer on or off, or wake up from sleep mode. The key is illuminated when the printer is on. It flashes when the printer is in sleep mode.
5. The beacon, which enables you to see printer status and alerts from a distance.

The front panel has a large central area to display dynamic information and icons. On the left and right sides you can see up to four fixed icons at different times. Normally they are not all displayed at the same time.

### Left and right fixed icons

- Tap  to return to the home screen.
- Tap  to view help about the current screen.

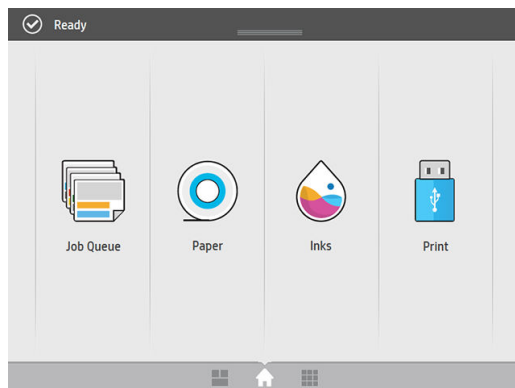
- Tap  to go back to the previous screen. This does not discard any changes made in the current screen.
- Tap  to cancel the current process.

## Home screens

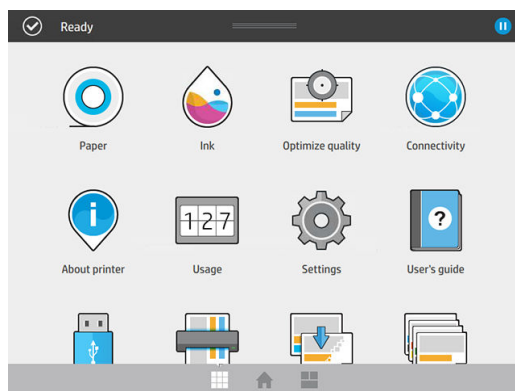
There are three top-level screens that you can move between by sliding your finger across the screen, or tapping the appropriate button at the bottom of the screen:

- The first main screen provides direct access to the important printer functions, depending on your printer model and accessories.

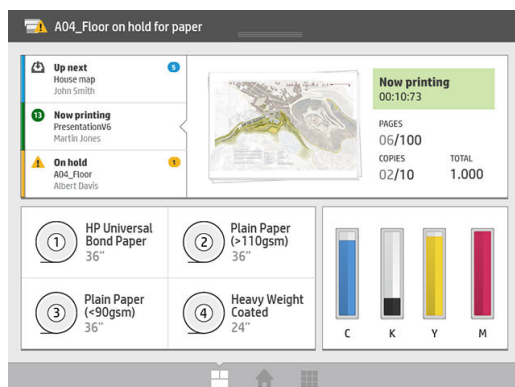
### Non-MFP screen



- The all-app screen displays a list of all apps available in your printer, and the status of each of them.




- The widget screen enables you to monitor at a glance supplies such as ink and paper, the job currently being printed, and the job queue.

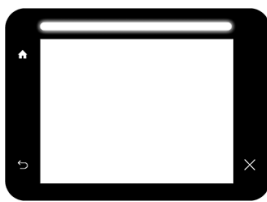


## Printer alerts

The printer has a beacon located on top of the front panel; it gives a summary of the printer status that can be seen from a distance.

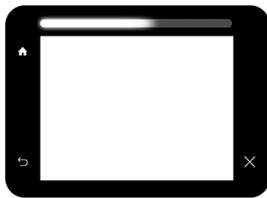


 **IMPORTANT:** The information provided in the beacon is for functional information purposes only, and is not relevant to your safety. Warning labels on the printer must be always considered when operating the printer, regardless of the status indicated by the beacon lights.



White light

The printer is ready.



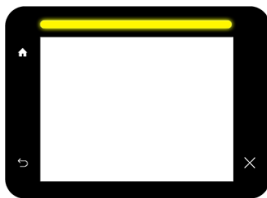
White moving light

The printer is printing or preparing to print.



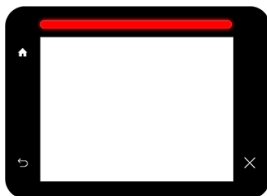
Yellow end light

The printer will need attention soon: for example, it is almost out of ink or paper. When printing, the yellow light remains at the left, and a white moving light appears.



Yellow light

The printer can print, but there is something wrong. If the problem persists, contact your support representative. While printing, you will see a yellow instead of a white light.



Red light

The printer is unable to print and needs attention, or a major subsystem of the printer is not working.

You can change the beacon settings by tapping , then **System** > **Beacon**. For example, you can change the brightness of the beacon. You can also turn off beacon warnings and show only definite errors.



## Dim mode

After some time with no activity (5 minutes by default), the printer goes to dim mode, which reduces the brightness of the front panel by 25% and the brightness of the beacon by 10%. Any activity, such as the use of the front panel or the arrival of a print job, ends dim mode and restores normal brightness. After some time in dim mode (15 minutes by default), the printer changes to sleep mode. The time periods can be changed from the front panel. See [Sleep mode on page 11](#).

## Sleep mode

Sleep mode puts the printer into a reduced power state after a period of inactivity, turning off some elements to save energy. Printer features can be enabled from this mode, and the printer maintains network connectivity, waking up only as necessary.

The printer can be woken from sleep mode in any of the following ways:

- By pressing the power button
- By opening a door or drawer
- By sending a print job
- By installing or uninstalling the high-capacity stacker




The printer wakes up in several seconds, more quickly than if it is completely turned off. While in sleep mode, the power button blinks.

To change the time that elapses before sleep mode, see [Change system options on page 11](#).

Printer Monitoring (with the Print Spooler) and Remote Printer Management with the HP Utility and Web JetAdmin continue to be available during sleep mode. Some remote management tasks offer the option of remotely waking up the printer if needed to perform the task.

## Change the language of the front-panel display

There are two possible ways to change the language of the front-panel menus and messages:

- If you can understand the current front-panel display language, tap , then **System > Language**.
- If you cannot understand the current front-panel display language, start with the printer powered off. Press the power key to turn it on. When you see icons appear on the front panel, tap  and then . The front panel acknowledges this sequence by turning the icons on and off rapidly.

Whichever method you used, the language selection menu should now appear on the front-panel display. Tap your preferred language.

The available languages are English, Portuguese, Spanish, Catalan, French, Dutch, Italian, German, Polish, Russian, Simplified Chinese, Traditional Chinese, Korean, and Japanese.

## Change system options


You can change various printer system options from the front panel. Tap , then **System**.

- **Date and time options** to view or set the printer's date and time.
- **Speaker volume** to change the volume of the printer's loudspeaker. Select **Off**, **Low**, or **High**.
- **Front panel brightness** to change the brightness of the front-panel display. The default brightness is 50.
- **Beacon > Beacon** to change the brightness of the beacon. Select **High**, **Medium**, **Low**, or **Off**.
- **Beacon > Notify warning alerts** to turn warning alerts on or off.
- **Power options > Printer sleep** to change the length of time the printer waits before going into sleep mode (see [Sleep mode on page 11](#)). You can set the time from 5 to 240 minutes. The default time is 20 minutes (total time including 5 minutes in dim mode).
- **Unit selection** to change the units of measurement in the front-panel display. Select **English** or **Metric**. By default, units are set to **Metric**.
- **Restore factory settings** to restore the printer settings to their original values as set in the factory. This option restores all of the printer settings except the Gigabit Ethernet settings and paper presets.

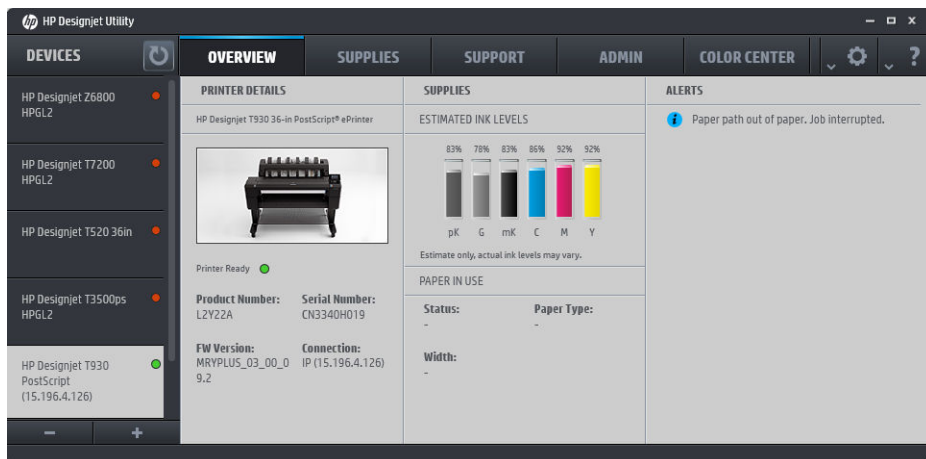
## HP Utility

The HP Utility enables you to manage your printer from a computer with a TCP/IP connection.

 **NOTE:** The HP Utility under Mac OS X and the HP DesignJet Utility under Windows have similar functions and are sometimes referred to collectively as the HP Utility in this guide.

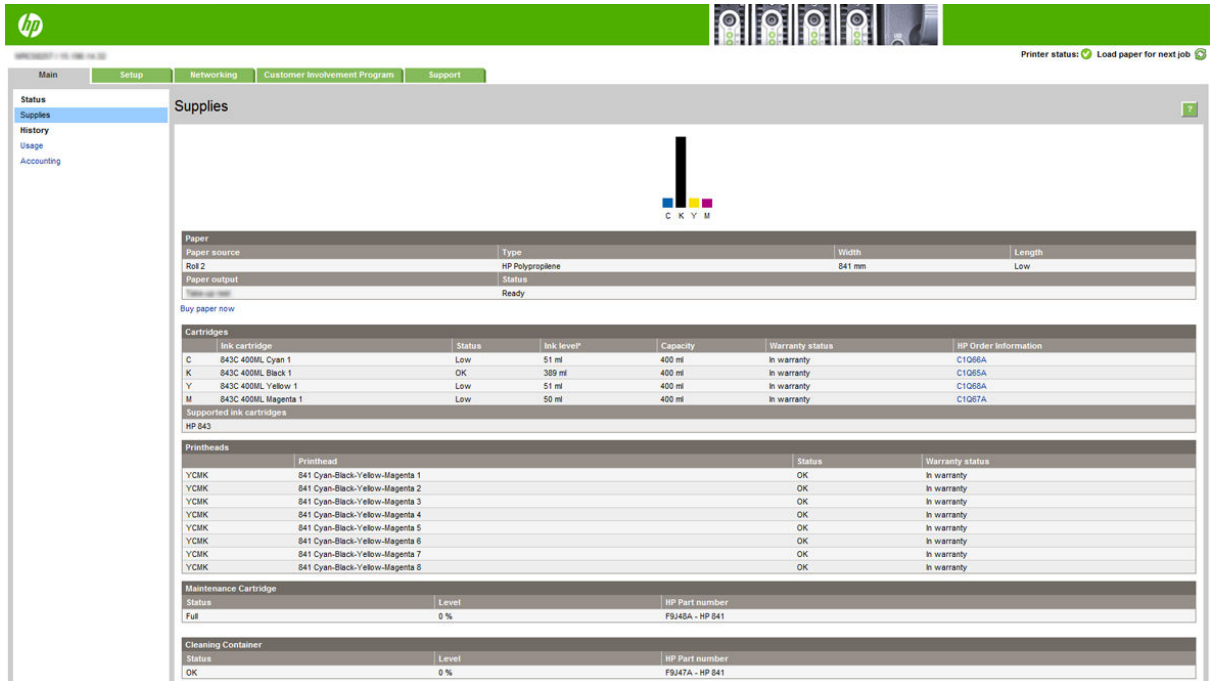
- **Under Windows**, start the HP DesignJet Utility from the  icon on your taskbar or from **Start > All Programs > HP > HP DesignJet Utility > HP DesignJet Utility**. This launches the HP DesignJet Utility, showing the printers installed on your computer. When you open the HP DesignJet Utility for the first time, it may offer you an automatic update with enhanced functionality that we recommend you to accept.
- **Under Mac OS X**, launch the HP Utility from your Dock shortcut or by clicking **Applications > HP > HP Utility**. This launches the HP Utility, showing the printers installed on your computer.

When you select your printer in the left pane, everything that appears in the right pane is specific to that printer.



# Embedded Web Server


The Embedded Web Server is a Web server running inside the printer. You can use it to obtain printer information, manage settings and presets, install new firmware, and troubleshoot problems. Service engineers can use it to retrieve internal information that helps to diagnose printer problems.



You can access the Embedded Web Server remotely by using an ordinary Web browser running on any computer.

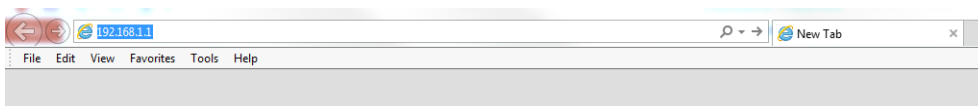
The following browsers are known to be compatible with the Embedded Web Server:

- Microsoft Internet Explorer 8 and later for Windows 7 and later
- Apple Safari 6 and later for OS X 10.8 and later
- Mozilla Firefox 36 and later
- Google Chrome 41 and later

Make a note of your printer's IP address, which you can see on the front panel by tapping the  icon, then

## Network.

To use the Embedded Web Server on any computer, open your Web browser and enter the printer's IP address in the browser's address bar.



The Embedded Web Server window displays five separate tabs. A button near the top of each page provides access to online help.

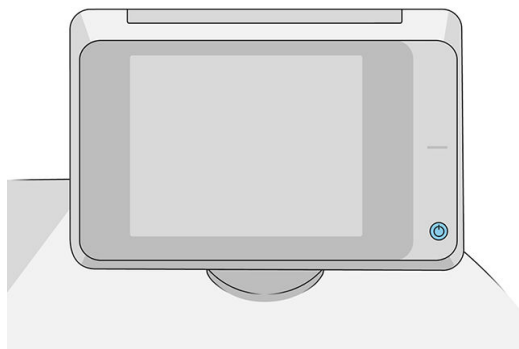
The Embedded Web Server functions in the following languages: English, Portuguese, Spanish, Catalan, French, Dutch, Italian, German, Polish, Russian, Simplified Chinese, Traditional Chinese, Korean, and Japanese. It uses the language that you specified in your Web browser options. If you specify a language that it cannot support, it functions in English.

To change the language, change your Web browser's language setting. For example, in Chrome, click **Settings > Language** (in the advanced settings view), and make sure that the language you want is at the top of the list in the dialog box; or, in Internet Explorer version 8, go to the **Tools** menu and click **Internet Options > Languages**. Make sure that the language you want is at the top of the list in the dialog box.

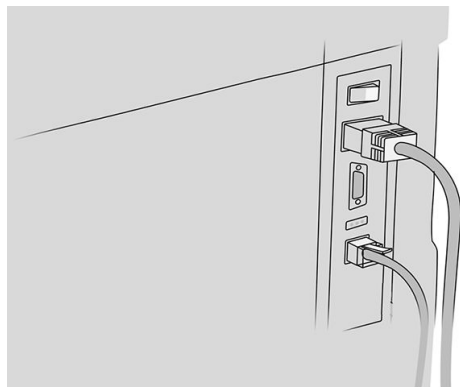
To complete the change, close and reopen your Web browser.

## Turn the printer on and off

If you wish to turn the printer on or off or reset the printer, the normal and recommended method is to use the power key on the front panel.



However, if you plan to store the printer for a long period or the power key does not seem to work, you are recommended to turn it off using the power switch at the rear.



To turn it back on, use the power switch at the rear.

When the printer is powered back on, it takes about 3 minutes to initialize and check and prepare the print bar. Preparing the print bar takes about 75 seconds. However, if the printer has been off for 2 weeks or more, preparing the print bar could take up to 7 minutes, plus 13 minutes if it needs a printhead recovery.


See also [Sleep mode on page 11](#).

## Internal prints

The internal prints give various kinds of information about your printer. They can be requested from the front panel.

Before requesting any internal print, check that the printer and the paper are ready for printing.

- The loaded paper should be at least A3 landscape—420 mm (16.53 in) wide—otherwise the print may be clipped.
- The front panel should be displaying the **Ready** message.

To print any internal print, tap , then scroll down to **Internal prints** and tap it, then select the internal print you want. The following internal prints are available:

- Demo prints show some of the capabilities of the printer
  - Print drawing demo
  - Print rendering demo
  - Print GIS map
- User information prints
  - Usage report shows estimates of the total number of prints, number of prints by paper type, number of prints by print-quality option, counting of scans, and total amount of ink used per color (the accuracy of these estimates is not guaranteed)
  - HP-GL/2 palette shows the color or grayscale definitions in the currently selected color palette
  - PostScript font list shows PostScript fonts available (PostScript printers only)
  - Print folder pattern
- Service information prints
  - Print current information
  - Print usage information
  - Print event logs
  - Print calibration status
  - Print connectivity configuration
  - Print all pages (prints all the above reports)
- Output destination prints
  - Print test on folder to check alignment
  - Print test on stacker to test alignment


## Preparing your printer

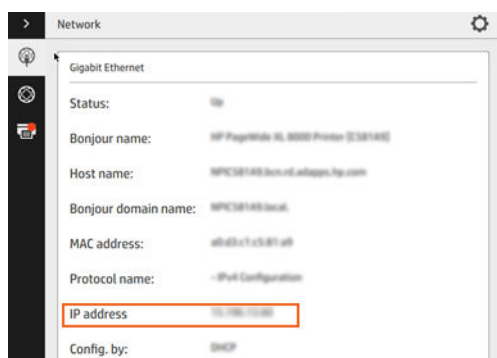
### Connect the printer to your network

The printer is able to configure itself automatically for most networks, in a similar way to any computer in the same network. The first time you connect it to a network, this process may take a few minutes.



Once the printer has a working network configuration, you can check its network address from the front panel:

tap .




 **TIP:** Consider making a note of the printer's network name and IP address, because you may need them during the setup process of connecting your Windows or Mac OS computer clients.



## Modify network configuration

To modify the current network configuration, go to the front panel and tap , then , then **Gigabit Ethernet**. From here it is possible, though not normally necessary, to change the settings manually; this can also be done remotely using the Embedded Web Server.

For full details of the available connectivity settings, see [Networking on page 72](#).

If you accidentally misconfigure the printer's network settings, you can restore the network settings to their factory values from the front panel: tap , then , then , then **Restore factory settings**. Then you must restart the printer. This automatically provides a working network configuration for most networks. The printer's other settings remain unchanged.

## Connect a computer to the printer by network (Windows)

The following instructions apply if you intend to print from software applications using a printer driver. See [Sending a job to print on page 82](#) for alternative ways of printing.

Before you begin, check your equipment:

- The printer should be set up and on.
- The Ethernet switch or router should be on and functioning correctly.
- The printer and the computer should be connected to the network (see [Connect the printer to your network on page 15](#)).

Now you can proceed to install the printer software and connect to your printer.

## Printer software installation

1. Make a note of the printer's host name and IP address from the front panel (see [Embedded Web Server on page 13](#)).
2. Download the printer software from HP's website at <http://www.hp.com/go/pagewidexlseries/support/drivers>.
3. Select Windows or Mac OS X software, and choose which specific software you want to install (by default, all of it).
4. Once downloaded, open it, and follow on-screen steps.

If your computer fails to find any printers on the network, the **Printer Not Found** window is displayed, which helps you to try to find your printer. If you have a firewall in operation; you may have to disable it temporarily in order to find the printer. You also have the options of searching for the printer by its hostname, IP address or MAC address.

## Uninstall the printer software (Windows)

Use the Control Panel to uninstall the software, in the same way as you can uninstall any other software.

## Connect a computer to the printer by network (Mac OS X)

You can connect your printer to a network under Mac OS X by using the following methods:

- Bonjour
- TCP/IP




**NOTE:** The printer does not support AppleTalk.

The following instructions apply if you intend to print from software applications using a printer driver. See [Sending a job to print on page 82](#) for alternative ways of printing.

Before you begin, check your equipment:

- The printer should be set up and on.
- The Ethernet switch or router should be on and functioning correctly.
- The printer and the computer should be connected to the network (see [Connect the printer to your network on page 15](#)).

Now you can proceed to install the printer software and connect to your printer.

1. Go to the front panel and tap . Note the mDNS service name of your printer.
2. Access the install package from HP's website: <http://www.hp.com/go/pagewidexlseries/support/drivers>. If prompted, select your printer from the list.
3. When the PageWide Printer window appears on your screen, click **Software and drivers**.
4. Select Windows or Mac OS X software, and choose which specific software you want to install (by default, all of it).
5. When the software has been installed, the HP Utility starts automatically, to set up a connection to your printer. Follow the instructions on your screen.

6. In the Setup Assistant screen, look for your printer's mDNS service name (which you noted in step 1) in the Printer Name column.
  - If you find the right name, scroll sideways if necessary to see the Connection Type column, and check that it shows **Bonjour**. Then highlight that line. Otherwise, continue searching further down the list.
  - If you cannot find your printer's name just click **Continue** and do the setup manually in your **System Preferences** later on.

Click **Continue**.

7. Continue following the instructions on the screen.

## Uninstall the printer software (Mac OS X)

During the previous installation step, you have the option to install the HP Uninstaller application in your system. This should be available under **HP** in the system **Applications** folder.



**IMPORTANT:** The HP Uninstaller application will uninstall all HP Software installed in your system.

To delete the print queue only, select the **Print & Scan** dialog from the system preferences. Click the name of the printer and then click the – button.

## Configure your connectivity

By configuring your connectivity, you can print from your local network, keep your printer up to date, and access additional printer services. Remember to connect your network cable to the printer.

Accept the connectivity agreement and settings in order to:

- Receive automatic firmware updates
- Participate in the Customer Involvement Program
- Enable additional printer services



A network connection is required, so the printer will test its own connectivity. Configure and troubleshoot the printer's connectivity and start benefitting from connecting your printer.

If you are part of the HP Partner Link Pay-per-use service, remember to go to the Connectivity app and tap **Printer services** > **Register new service** in order to register the printer service.

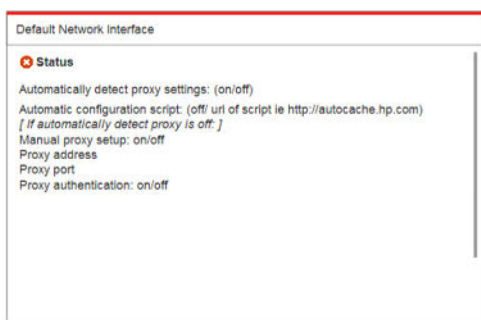
During initial printer setup, you are asked whether you want to enable these services. That decision can be reset later by tapping , then **Connectivity** > **Reset Connectivity Agreement**.

In addition, each service can be enabled or disabled individually as explained below.

## Verify printer connection to HP



You can check that the printer is able to connect to HP services by tapping , then , and verifying the status there.





If there is any problem connecting to HP, you will be provided with a description of the problem and some possible solutions.


## Configure the Customer Involvement Program and other printer services



You can check your Customer Involvement Program status by tapping , then .

Tap **Test all connectivity** to test your connection to HP, the Customer Involvement Program, and other online print services. If any problem is detected, you will be provided with a description of the problem and some possible solutions.

## Configure email printing through HP Connected

The HP Connected service makes it easy to send jobs to your printer by attaching them to an email message.

You must accept the “Connectivity agreement” in order to use HP Connected. You can change your decision by tapping , then **Connectivity > Reset Connectivity Agreement**.

To configure the email printing configuration, tap , then , which will display your printer’s unique printer code and the email address that can be used to send jobs to the printer. You must also visit <http://www.hpconnected.com> to register yourself and your printer (using the printer code).


Tap  in the top right corner of the HP Connected screen to access the following options:

- **HP Connected Connectivity menu:** You can enable or disable HP Connected for this printer, or completely remove it from the HP Connected service.
- **Printer code:** You can view or renew the printer code.
- **Email address:** You can view the printer’s email address.
- **HP Connected jobs:** You can decide whether jobs received by email should be printed directly (the default option) or put on hold in the job queue.
- **Restore HP Connected settings:** You can restore HP Connected settings to their default values.

## Configure firmware updates

You can choose from the Embedded Web Server or from the front panel whether and how to download firmware updates.

---

 **NOTE:** If an administrator password has been set, it will be required to change these settings.

---


- **In the Embedded Web Server:** click **Setup > Firmware update**.

- **Using the front panel:** tap  , then  , then  .

The following settings are available:

- **Check:** If you select **Automatically** (the default setting), the printer will check automatically every week (or after the printer has been restarted seven times, whichever happens first) whether new firmware is available. If you select **Manually**, the printer will not check automatically; you can check manually whenever you like.
- **Download:** If you select **Automatically** (the default setting), the printer will automatically download new firmware whenever it becomes available. If you select **Manually**, you will be asked to approve each download.

---

 **NOTE:** Downloading the firmware does not mean that you have installed it in your printer. To install the new firmware, you must confirm the installation manually.

---

- **Firmware update history:** A list of firmware versions that have been installed in the printer. It is usually possible to reinstall the version immediately before the version that is currently installed, if you have some problem with the current version.

## Configure the email server

To configure the email server using the Embedded Web Server, click **Setup > E-mail server**, and fill in the following fields, which are usually supplied by the email server provider.

- **SMTP server and port number:** The IP address or fully qualified domain name of the outgoing mail server (SMTP) that will process all email messages from the printer. If the mail server requires authentication, email notifications will not work.
- **Printer e-mail address:** The email address assigned to the account that is being configured in the printer. This email address will appear in the From: field of all the email messages sent by the printer. This is not the same email address that is used by HP Connected.
- **Attachment size limit:** The maximum size of a file attached to an email message. When you scan to email from the front panel, you will be warned if an attachment is higher than this limit, but you can ignore the warning and send the message anyway.
- **Use SSL certificates:** Check this box to use SSL certificates if the server requires an encrypted connection. Click the link to configure advanced certificate settings.
- **Authentication.** If you choose authentication, you are also asked for your username and password.

Once you have configured the email server, you are strongly recommended to check the configuration.

## Turn usage information on and off

The printer can send usage information periodically by email. You can request this in the following ways:

- **In the HP DesignJet Utility for Windows:** from the **Admin** tab, click **Printer settings > Accounting**.
- **In the HP Utility for Mac OS X:** click **Printer Settings > Accounting**.
- **In the Embedded Web Server:** click **Setup > Printer settings > Accounting**.

In each case, you must set the following options:

- **Send accounting files:** **Enabled** (the default is **Disabled**)
- **Send accounting files to:** a valid email address
- **Send accounting files every:** choose a number of days (1–60) or a number of prints (1–500)

You must also ensure that the email server has been configured: see [Configure the email server on page 20](#).

## Turn email notifications on and off

In order to receive email notifications from the printer, you must have configured the email server (see [Configure the email server on page 20](#)).

The notification service is always turned on, but all specific notifications are turned off by default. You can turn them on or off individually by selecting **Notifications** from the **Setup** tab of the Embedded Web Server.

## Control access to the printer

### Front-panel security settings


From the front panel, you can tap , then **Security**, to control some of the features of the printer:

- **USB drive:** Enable or disable the use of a USB flash drive.
- **Firmware update from USB:** Enable or disable firmware updates from a USB flash drive.
- **User sessions:** Enable or disable automatic log-out after 1, 3, or 5 minutes.
- **EWS:** Enable or disable the Embedded Web Server.
- **Printer access control:** Enable, disable, or change the administrator password.
- **Printing & management Web services:** Enable or disable Web services that are used by printing and management tools such as the HP Utility, HP SmartStream, and SDK for RIPs.

If an administrator password has been set, it must be given in order to perform the following operations:

- Change the security settings (including the administrator password itself)
- Change the configuration of the Internet connection
- Change the Automatic Firmware Update configuration
- Enable or disable automatic downloading and/or installation of automatic firmware updates
- Restore an earlier firmware version
- Reset factory defaults

---


 **NOTE:** The administrator password can contain only characters that appear on the front panel's on-screen keyboard. If you set a new password with the Embedded Web Server, it will reject characters that do not appear in that limited character set.


---

## Embedded Web Server security settings

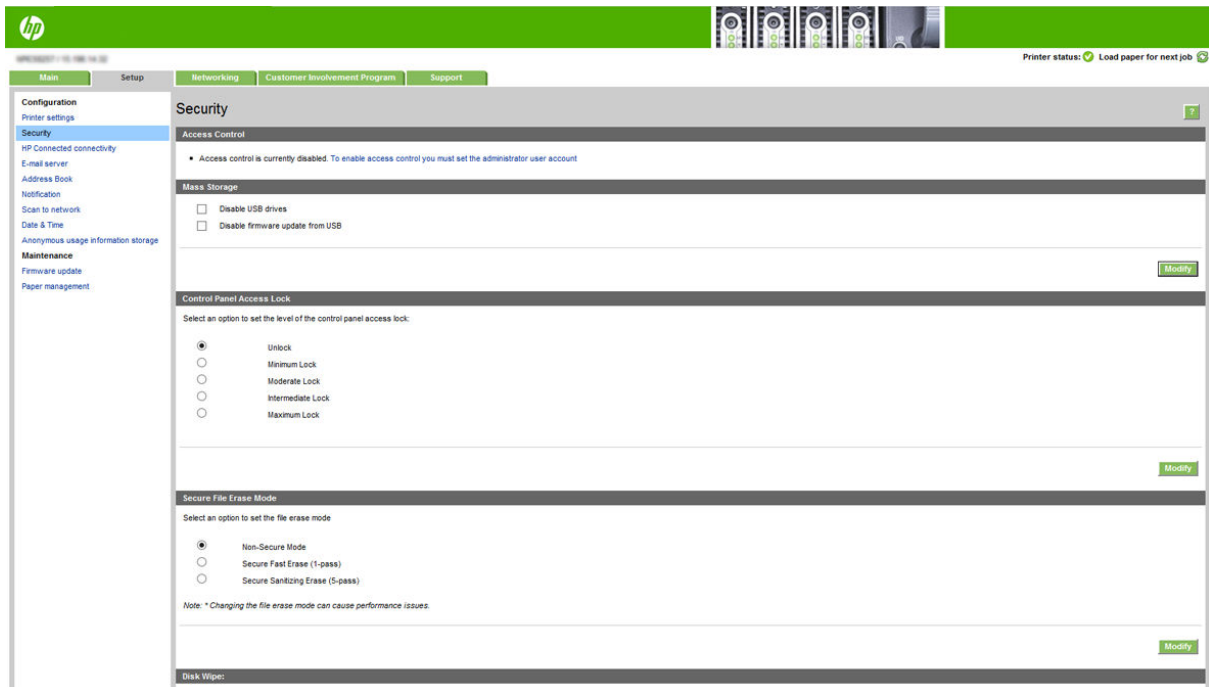
From the Embedded Web Server, you can click the **Setup** tab and then **Security** to change the security settings:

- Securely erase some or all files on the hard disk
- Enable or disable various groups of front panel operations
- Use the same security settings that are available in the front panel (see above)

 **NOTE:** An administrator password may be required.

 **NOTE:** For more information, see the Embedded Web Server's online help.

To control access to the printer's front panel from the Embedded Web Server, go the **Setup** tab, and click **Security**.



The following options are available:

- **Unlock:** Unrestricted access to the front panel.
- **Minimum Lock:** Unrestricted access to the front panel.
- **Moderate Lock:** In addition to the Minimum Lock, denies access to all printer settings, the job queue, information and service prints, and the printer log.
- **Intermediate Lock:** In addition to the Moderate Lock, denies access to the paper, ink supplies, maintenance options, and demo prints. Users can only view printer and supply information.
- **Maximum Lock:** Denies access to all front-panel options. No detailed information is displayed in any of the status applications.

When any option is restricted, the option is locked and marked with a padlock icon.

## Embedded Web Server access control

From the Embedded Web Server, you can click the **Setup** tab and then **Access control** to change the access control settings.

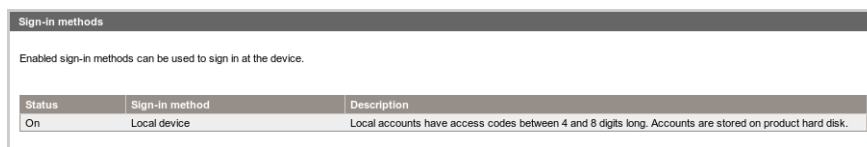
To use these access control settings, the security settings should permit unrestricted access to the front panel (**Unlock**). See [Embedded Web Server security settings on page 21](#).

## Access control categories

- **Sign-in methods:** Manage the methods that can be used to sign in to the printer.
- **Device user accounts:** Create, edit, or delete printer user accounts.
- **Sign-in and permission policies:** Manage sign-in requirements for specific tasks, restricting user access by type of activity.

## Sign-in methods

Currently, the only available sign-in method is **Local device**, referring to local accounts that have access codes between 4 and 8 digits long, stored on the printer's hard disk.



Status	Sign-in method	Description
On	Local device	Local accounts have access codes between 4 and 8 digits long. Accounts are stored on product hard disk.

## Device user accounts

There are four available actions:

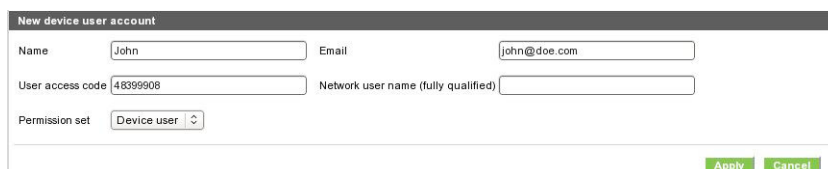
- **New:** Add a new user account.
- **Edit:** Edit the selected user account.
- **Delete:** Delete the selected user account.
- **Delete all:** Delete all user accounts.



Name	Email	User access code	Network user name (fully qualified)	Permission set
------	-------	------------------	-------------------------------------	----------------

**New** **Edit** **Delete** **Delete all**

When you click **New**, the following window opens, in which you must fill in at least the name and the email address.



**New device user account**

Name:  Email:

User access code:  Network user name (fully qualified):

Permission set:

**Apply** **Cancel**

You can change the user access code, and the permission set, as follows:

- **Admin user:** The admin user has all access privileges granted and cannot be edited.
- **Device user:** The device user has some access privileges granted, which can be edited on the access control page.
- **Guest user:** The guest user has some access privileges granted, which can be edited on the access control page.

Click **Apply** to add the new user, who is then displayed as shown below.

Device user accounts					
When using device user accounts, people will sign in at the device using an access code. A permission set is assigned to each account.					
<input type="checkbox"/>	Name	Email	User access code	Network user name (fully qualified)	Permission set
<input type="checkbox"/>	John	john@doe.com	48399908	--	Device user

## Sign-in and permissions policies

You can change the permissions for device and guest users here, and click **Apply** to apply them.

Main   Setup   **Networking**   Customer Involvement Program   Support

**Configuration**

Printer settings

Security

**Access Control**

HP ePrint connectivity

Email server

Address Book

Notification

Scan to network

Date & Time

Anonymous usage information storage

**Maintenance**

Firmware update

Paper management

### Access Control ?

**Sign-in methods**

Enabled sign-in methods can be used to sign in at the device.

Status	Sign-in method	Description
On	Local device	Local accounts have access codes between 4 and 8 digits long. Accounts are stored on product hard disk.

**Device user accounts**

When using device user accounts, people will sign in at the device using an access code. A permission set is assigned to each account.


<input type="checkbox"/>	Name	Email	User access code	Network user name (fully qualified)	Permission set
<input type="checkbox"/>	John	john@doe.com	48399908	--	Device user


**Sign-In and Permissions Policies**


You can set sign-in requirements for specific tasks, and restrict access by users who have not signed in ("Guests") to specific features. Permissions can be applied to local user accounts stored on the printer.

Feature	Administrator	Guest	User
<b>Administration</b>			
Firmware update	<input checked="" type="checkbox"/>	<input checked="" type="checkbox"/>	<input checked="" type="checkbox"/>
Settings	<input checked="" type="checkbox"/>	<input checked="" type="checkbox"/>	<input checked="" type="checkbox"/>
View network status	<input checked="" type="checkbox"/>	<input checked="" type="checkbox"/>	<input checked="" type="checkbox"/>
Modify network configuration	<input checked="" type="checkbox"/>	<input checked="" type="checkbox"/>	<input checked="" type="checkbox"/>
Optimize printing quality	<input checked="" type="checkbox"/>	<input checked="" type="checkbox"/>	<input checked="" type="checkbox"/>
Prepare printer for restipement	<input checked="" type="checkbox"/>	<input checked="" type="checkbox"/>	<input checked="" type="checkbox"/>
Restore factory settings	<input checked="" type="checkbox"/>	<input checked="" type="checkbox"/>	<input checked="" type="checkbox"/>
<b>Copy</b>			
<b>Print</b>			
Print in color	<input checked="" type="checkbox"/>	<input checked="" type="checkbox"/>	<input checked="" type="checkbox"/>
Print from USB	<input checked="" type="checkbox"/>	<input checked="" type="checkbox"/>	<input checked="" type="checkbox"/>
<b>Ink</b>			
Manage ink system (settings)	<input checked="" type="checkbox"/>	<input checked="" type="checkbox"/>	<input checked="" type="checkbox"/>
<b>Paper</b>			
Paper source settings	<input checked="" type="checkbox"/>	<input checked="" type="checkbox"/>	<input checked="" type="checkbox"/>
<b>Scan</b>			
Scan to email	<input checked="" type="checkbox"/>	<input checked="" type="checkbox"/>	<input checked="" type="checkbox"/>
Scan to network folder	<input checked="" type="checkbox"/>	<input checked="" type="checkbox"/>	<input checked="" type="checkbox"/>
Save to USB drive	<input checked="" type="checkbox"/>	<input checked="" type="checkbox"/>	<input checked="" type="checkbox"/>
<b>Job queue</b>			
Manage job queue	<input checked="" type="checkbox"/>	<input checked="" type="checkbox"/>	<input checked="" type="checkbox"/>

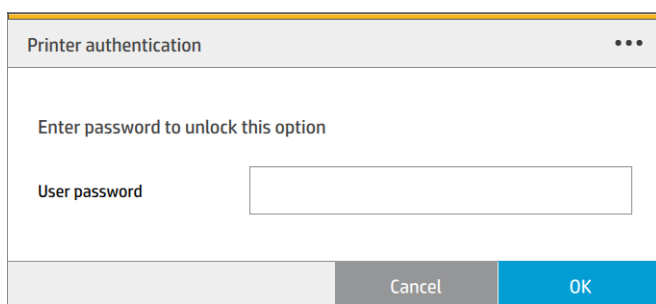
Access Granted  
  Require Sign In  
  Full Access  
  Access Denied

 **NOTE:** To use some functions, you must be able to use the higher-level function: for example, Print from USB requires Print.

 **NOTE:** All users have at least guest permissions.

 **NOTE:** The Firmware Update function means, in this context, automatic firmware updates. To block firmware updates from a USB flash drive, you must use a specific setting that affects all users.

When a user tries to use any blocked function for the first time, the following window appears, in which the user should give the appropriate password. To give the admin password, click the three dots in the upper right corner.



## Require account ID

If you want to keep records of printer usage by different user accounts, you can set your printer to require an account ID for each job.

- **In the HP DesignJet Utility for Windows:** from the **Admin** tab, click **Printer settings > Accounting > Require account ID**.
- **In the HP Utility for Mac OS X:** click **Printer Settings > Accounting > Require account ID**.

If this setting is turned on, the account ID field will be mandatory and jobs with no account ID will be kept "on hold for accounting".

The account ID can be set in the printer driver when sending the job. If the job is set "on hold for accounting" by the printer, you can introduce the account ID in the Embedded Web Server, HP DesignJet Utility, HP Utility, or front panel, by going to the job queue and clicking the job that is on hold. A window with a text box is displayed and you can enter the account ID into it.

## Drivers

There are various different drivers for your printer; which is best for you depends on your circumstances:

- Your operating system
- The type of applications from which you print
- The number of printers you have
- The output accessories you have

You may wish to install one or several drivers according to your needs.

You can find the latest driver software at <http://www.hp.com/go/pagewidexlseries/support/drivers/>.

## Specific Windows drivers

		HP-GL/2	PCL3GUI v4	PostScript	PostScript v4	PDF v4
<b>Application</b>	CAD, GIS, office applications	Recommended	Recommended			
	Applications requiring accurate color			Recommended	Recommended	
	Adobe Acrobat or Adobe InDesign					Recommended
<b>System</b>	Windows 7		n/a		n/a	n/a
	Windows 8 or later					
	Desktop					
	Modern app	n/a		n/a		

## Universal Windows driver

The Universal Windows driver is recommended if you have a fleet of HP DesignJet and PageWide XL printers: it facilitates installation and queue management. The driver includes HP-GL/2 and PostScript options.

### Universal Windows driver configuration tool

The Universal Windows driver configuration tool is a utility to create VDF files, with which you can personalize DesignJet and PageWide XL Universal Printer Drivers (UPDs) by modifying the default settings or locking some of them, preventing users from changing them. This tool is intended for IT administrators, allowing them to set or lock the color, rotation, and quality options of the driver for different user roles.

To install the tool, go to <http://www.hp.com/go/pagewidexlseries/support/>. If prompted, select your printer from the list.

In the Software and Drivers section, click **Software > Utility > UPD configuration tool > Download**. For information about how to install and use it, go to <https://support.hp.com/us-en/document/c05658213>.

## Mac OS drivers

### Raster driver

- Specifically for Mac OS X 10.8, 10.9, and 10.10
- Best for CAD, GIS, and office applications

### PostScript 3 driver

- Specifically for Mac OS X 10.8, 10.9, and 10.10
- Best for applications requiring accurate color

In addition to <http://www.hp.com/go/pagewidexlseries/support/drivers/>, Mac OS drivers are available through Apple Software update.



## Set Windows driver preferences

You can change some default settings in your printer driver according to your own preferences, for instance to set color emulation or paper-saving options. To do this, click the **Start** button on your computer's screen, then click **Devices and Settings**. In the Devices and Settings window, right-click your printer's icon, and click **Printing Preferences**. Any settings you change in the Printing Preferences window will be saved as default values for the current user.

To set the default values for all users of your system, right-click the printer's icon, click **Printer Properties**, go to the **Advanced** tab, and click **Printing Defaults**. Any settings you change in the printing defaults will be saved for all users.

## Accessibility

### Front panel

If required, the front-panel display brightness and the loudspeaker volume can be changed (see [Change system options on page 11](#)).

### Embedded Web Server

From the Embedded Web Server, you can see the status of the printer, and perform other actions without using the front panel.

For information about the accessibility features of the Embedded Web Server, go to: **Support > Browse information > Accessibility**:

#### Accessibility Features [Close window](#)

**Note:** If you are using a screen reader, you may wish to turn off the periodic printer status updates. You can do this by changing the Refresh rate option on the Printer settings page to 'No refresh'.

This site complies with main Web Content Accessibility Guidelines. A text equivalent is provided for every non-text element. Form controls are properly grouped and labeled. Row and column headers in data tables are identified and associated with the corresponding table cells. Important user interface items have shortcut keys to enable quick access, shown below:

List of area access keys		List of buttons access keys	
Area	Access Key	Button	Access Key
Go to main tabs area	1	Submit data	S
Go to left menu items area	2	Reset data	R
Go to content area	3	Generic help	H
		Supplies ordering	O

List of browsers supporting previous access keys		
Browser	AccessKey Combination for area access keys	AccessKey Combination for buttons access keys
Internet Explorer 7 and above	ALT + AccessKey, TAB to activate first item in the area	ALT + AccessKey
Mozilla Firefox 3.6 and above	ALT + AccessKey, TAB to activate first item in the area	ALT + AccessKey
Google Chrome 7 and above	ALT + AccessKey, TAB to activate first item in the area	ALT + AccessKey
Safari 3 and above	ALT + AccessKey, TAB to activate first item in the area	ALT + AccessKey

See more about HP accessibility at [www.hp.com/hpinfo/abouthp/accessibility/](http://www.hp.com/hpinfo/abouthp/accessibility/) for information about the HP Accessibility Program, and HP's commitment to making its products and services accessible to people with disabilities.

## Other sources of information

The following documents can be downloaded from <http://www.hp.com/go/pagewidexlseries/support/manuals/>:

- Introductory information
- User's guide
- Legal information
- Limited warranty

The Quick Response (QR) code images found in some parts of this guide provide links to additional video explanations of particular topics.

---

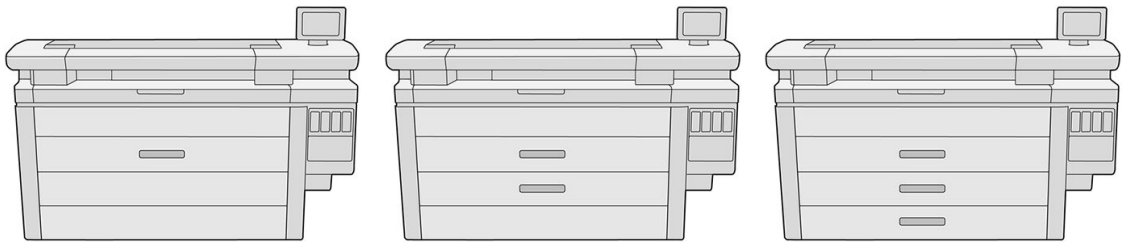
## 2 Paper handling

- [General information and tips](#)
- [Supported paper types](#)
- [Paper status](#)
- [Load paper](#)
- [Unload paper](#)
- [Paper options](#)
- [Store paper](#)
- [Cannot load paper](#)
- [Protect a paper type](#)
- [Paper jam](#)

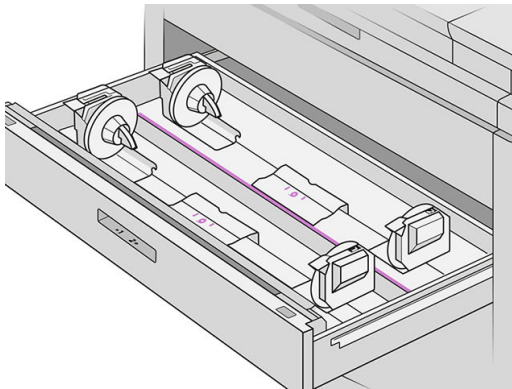
## General information and tips

- All paper widths must be between 279 mm (11 in) and 1016 mm (40 in), and the roll core must be 76 mm (3 in) in diameter.
- When handling photo paper, wear cotton gloves to avoid transferring oils onto the paper.
- Each drawer can be loaded with two paper rolls (front and rear).

Your printer has up to three drawers: the second and third may be purchased as accessories. The roll positions are numbered 1 and 2 in the top drawer, 3 and 4 in the middle drawer, 5 and 6 in the bottom drawer.



The roll numbers are displayed on the front of each drawer and on the roll hubs.



- Each drawer has lights to communicate its status:

### Drawer roll icon light

- Off: The roll has paper, or there is no roll.





- On (yellow): The roll is running out of paper.



- On (red): The roll is out of paper.



#### Drawer lock light

-  Off: You can open the drawer.
  -  On: Do not open the drawer. The paper is moving and you could cause a paper jam.
- You can save paper by using the appropriate settings.
  - The printer automatically estimates the remaining length of the roll.

## Supported paper types

The following paper types are compatible with your printer.

### Supported HP papers

Name	Width	Length	Product number
<b>Plain paper</b>			
HP Universal Bond Paper, 3-in core	16.5 in (420 mm)	500 ft (152 m)	K6B85A
	18 in (457 mm)	500 ft (152 m)	M2N04A
	23.4 in (594 mm)	500 ft (152 m)	K6B86A
	24 in (610 mm)	500 ft (152 m)	K6B88A
	30 in (762 mm)	500 ft (152 m)	M2N05A
	33.1 in (841 mm)	500 ft (152 m)	K6B87A
	36 in (914 mm)	500 ft (152 m)	L4L08A
	36 in (914 mm)	575 ft (175 m)	M2N06A
HP Bright White Inkjet Paper, 3-in core	16.5 in (420 mm)	500 ft (152 m)	L4Z41A
	23.4 in (594 mm)	500 ft (152 m)	L4Z42A
	24 in (610 mm)	500 ft (152 m)	L4Z44A
	33.1 in (841 mm)	500 ft (152 m)	L4Z43A
	36 in (914 mm)	500 ft (152 m)	L4Z45A
HP Premium Bond Paper, 3-in core	24 in (610 mm)	300 ft (91 m)	L6B12A
	33.1 in (841 mm)	300 ft (91 m)	L6B11A
	36 in (914 mm)	300 ft (91 m)	L6B13A
	40 in (1016 mm)	300 ft (91 m)	L6B14A
<b>Coated paper</b>			

Name	Width	Length	Product number
HP Universal Heavyweight Coated Paper, 3-in core	33.1 in (841 mm)	300 ft (91 m)	L5C79A
	36 in (914 mm)	300 ft (91 m)	L5C80A
	40 in (1016 mm)	300 ft (91 m)	L5C81A
<b>Poster paper</b>			
HP Production Matte Poster Paper, 3-in core	24 in (610 mm)	150 ft (46 m)	N2V71A
	24 in (610 mm)	300 ft (91 m)	L5P96A
	36 in (914 mm)	150 ft (46 m)	N2V72A
	36 in (914 mm)	300 ft (91 m)	L5P97A
	40 in (1016 mm)	150 ft (46 m)	N2V73A
	40 in (1016 mm)	300 ft (91 m)	L5P98A
HP Production Satin Poster Paper, 3-in core	24 in (610 mm)	150 ft (46 m)	N2V75A
	24 in (610 mm)	300 ft (91 m)	L5Q01A
	36 in (914 mm)	150 ft (46 m)	N2V76A
	36 in (914 mm)	300 ft (91 m)	L5Q02A
	40 in (1016 mm)	150 ft (46 m)	N2V77A
	40 in (1016 mm)	300 ft (91 m)	L5Q03A
HP Gloss Poster Paper, 3-in core	40 in (1016 mm)	200 ft (61 m)	L5Q08A
<b>Banner</b>			
HP Matte Polypropylene, 3-in core	40 in (1016 mm)	150 ft (46 m)	L6B19A

## Other supported paper types

### Plain papers

- Plain paper < 90 g/m<sup>2</sup>
- Plain paper 90–110 g/m<sup>2</sup>
- Plain paper > 110 g/m<sup>2</sup>
- Recycled
- Colored paper

### Technical papers

- Natural tracing paper (Asia-Pacific and Japan only)
- Vellum
- Translucent bond paper

### Coated papers

- Coated paper 90–100 g/m<sup>2</sup>
- Heavyweight coated paper

### Poster papers

- Poster matte paper
- Poster satin paper
- Poster gloss paper
- Photo semi-gloss paper
- Blue-back paper

### Banner and sign

- Polypropylene
- Tyvek 135 g/m<sup>2</sup>

### Blueprint

- Blueprint

## Paper status

The paper source displays the drawers in your printer, and one of the following status messages for each roll:

- Low on paper
- Out of paper
- Paper not loaded
- Calibration pending
- Check pending
- Unsuccessfully loaded
- Load malfunction
- Ready
- Error

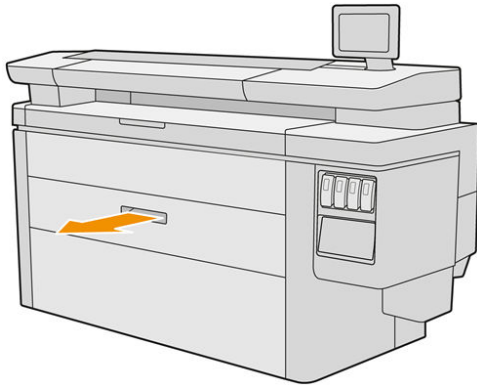
## Load paper



1. Start the paper app to access the paper menu, then tap **Load**.

💡 **TIP:** If the printer is not printing and the lock light on the drawer is off, you can skip this step.

2. Open the drawer.

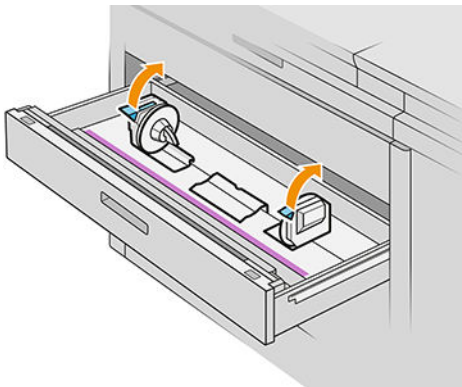


⚠️ **WARNING!** Do not stand on the drawer: the printer could fall over.

💡 **TIP:** You can load more than one roll at the same time.

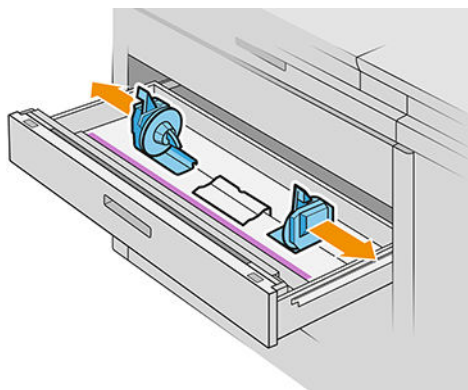
**TIP:** Load heavier rolls in upper drawers; they can weigh up to 18 kg (40 lb).

3. Open the locking levers on the left and right hubs.

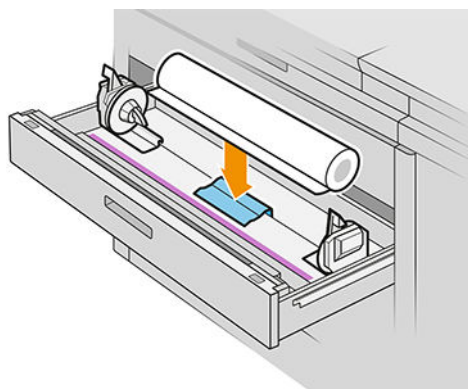




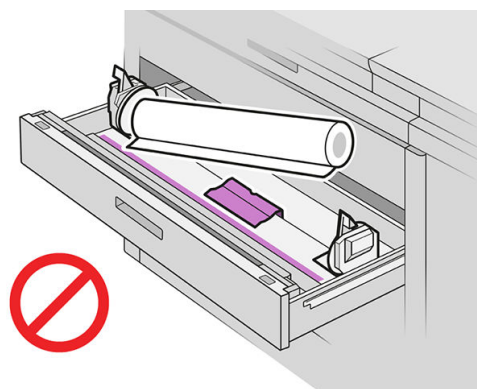
4. Move the hubs outwards (they are linked) to make room for the roll.



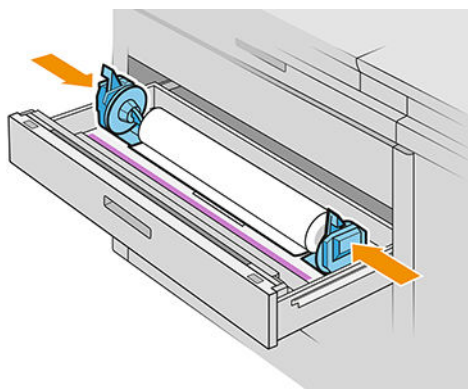
5. Place the roll into the drawer between the hubs, with the paper edge as shown.



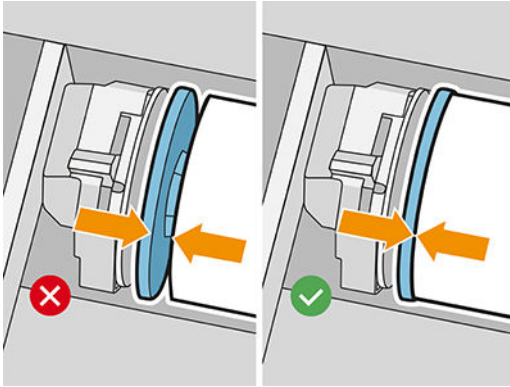
Do not load the roll at an angle, like this:



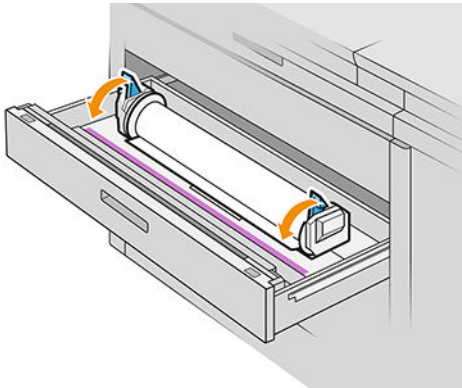
6. Slide the hubs back towards the center so that they engage with the roll.



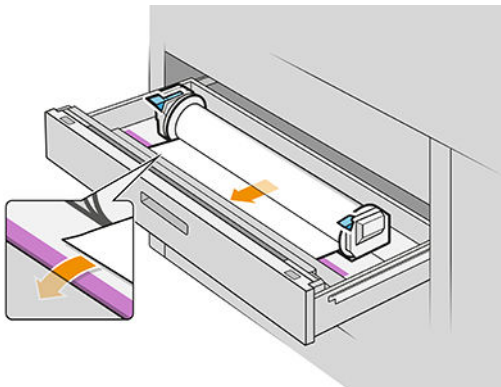
7. Ensure that the hubs are fitted tightly to the roll on both sides.



8. **Important:** Close the locking levers on the left and right hubs.



9. Feed the paper into the appropriate slot: the front slot for the front roll, the rear slot for the rear roll.



---

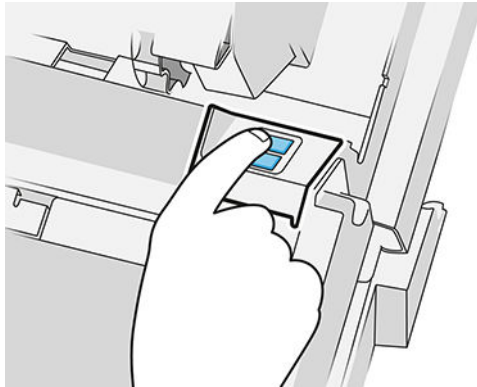
 **TIP:** The rear roll may need extra roll-ups to facilitate automatic feeding. Do not stop feeding until the paper is automatically advanced.

---

10. Continue feeding until you hear a beep.

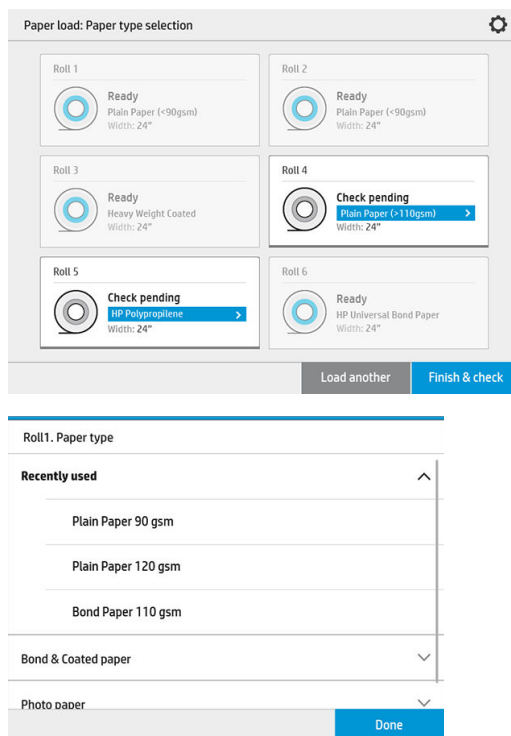
11. If the paper edge is not straight and clean, you can cut it off with the appropriate button (there is a button for each roll in the drawer).

When you press the button, the paper is advanced; when you release the button, the paper is cut.




Remember to remove the cut strip of paper.

12. Close the drawer when you have finished loading rolls into it.
13. Select the paper type on the front panel. The front panel remembers the last paper type loaded in this position, in case that helps.

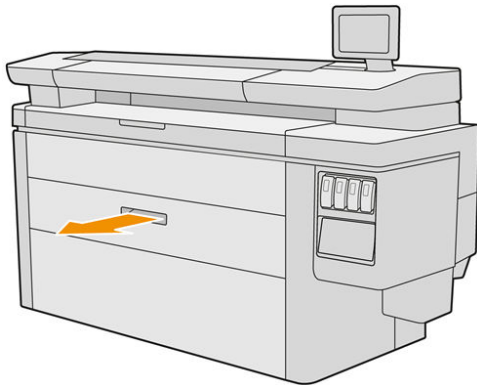


14. When you are ready, tap **Finish and check**. The printer checks the position, width, and length of the loaded paper. The width and length are displayed on the main screen.

 **NOTE:** If you do not select a paper type, the front panel waits a while and then executes **Finish and check** automatically.

## Unload paper


1. Ensure that the printer is not printing and that the lock light on the drawer is off.
2. Open the drawer.

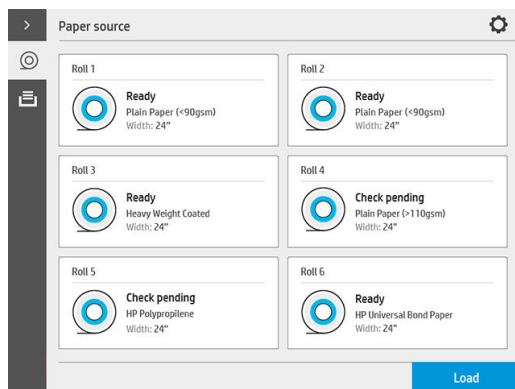


**WARNING!** Do not stand on the drawer: the printer could fall over.

3. Remove the paper from the feeding slot.
4. Open the locking levers on the left and right hubs.
5. Slide the hubs to the side so that you can remove the roll.
6. Remove the roll (or the core, if only the core is left).
7. Close the locking levers on the left and right hubs.
8. Close the drawer.

## Paper options

To see the paper options, tap .



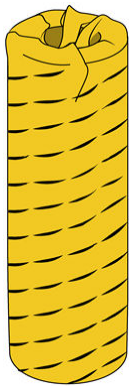
The following options are available:

- Edit type: You can modify the type of paper loaded.
- Protect paper types: You can protect selected paper types to avoid printing on them unintentionally.

## Store paper

To maintain paper quality, follow these recommendations:

- Store rolls in the original packaging within the temperature and humidity range specified on the paper label.
- When natural tracing paper is stored in a humid environment, its width when loaded can vary, and it may even jam in the printer. To avoid this, store this kind of paper in its packaging in humid conditions. Remove it from the printer in conditions of low temperature and high humidity (such as 15°C and 80% relative humidity). If you see that the paper has been affected by humidity, cut off the beginning of the roll: about 8 m (26 ft).
- Store rolls covered by another piece of paper or cloth.
- Allow all papers to adapt to room conditions, out of the packaging, for 24 hours before using them for printing.
- The use of tape to stick the leading edge of the roll to the core is especially important for heavy papers, because the inherent stiffness of the paper can cause it to loosen and unwind from the core.



## Cannot load paper

- Check that you have a roll in the selected drawer and slot.
- Check that the locking levers are closed on both hubs, and that the hubs are correctly positioned.
- Ensure that you locked the hubs before feeding paper into the printer.
- Check that the paper is correctly fed into the printer.
- Check that the paper is not crumpled or warped, and that the edges are straight.
- Check that the drawer is correctly closed.
- Check that the paper is wound tightly on the roll.
- Check that the paper is attached to the core.
- Check that you follow the paper specifications.

---

 **TIP:** When loading rear rolls, you must feed more paper manually (about 40 cm, or 16 in) than with front rolls.

## Protect a paper type

You can protect selected paper types to avoid printing on them unintentionally. A protected paper type will be printed on only when the paper type is explicitly specified in the job.


To protect a paper type, go to the paper app, tap ... for the paper type you want to protect, then **Protect roll**.

Alternatively, you can tap , then **Job management > Automatic roll selection > Protected paper types**.

When a paper type is protected, the  icon appears before the paper name.

To print on a protected roll, just select the paper type explicitly when submitting the job from a printer driver or other job submission software.

---

 **NOTE:** If a protected paper type is not explicitly selected, and no other paper types are available, an out-of-paper message will appear.

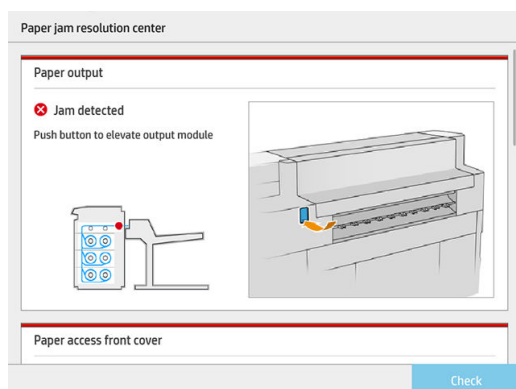
---

## Paper jam



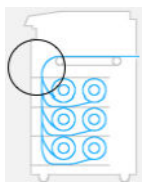
When the printer detects a jam, it tries to resolve the issue automatically. If it cannot, it stops, and you must fix the problem manually.

The front panel starts the paper jam wizard to display where the jam occurs and how to fix it.

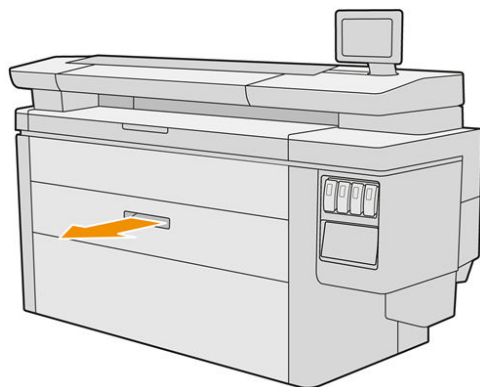


Clear the paper jam as instructed on each screen of the wizard. When you have removed all the paper, tap **Check now** to check that the problem has been fixed successfully.

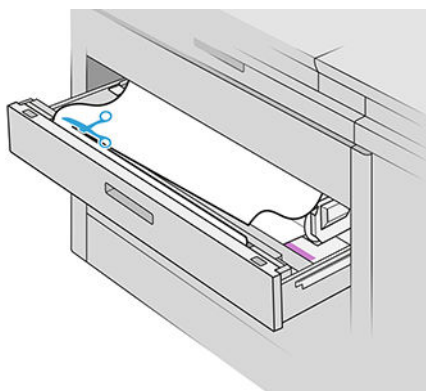
## Paper jam in a drawer



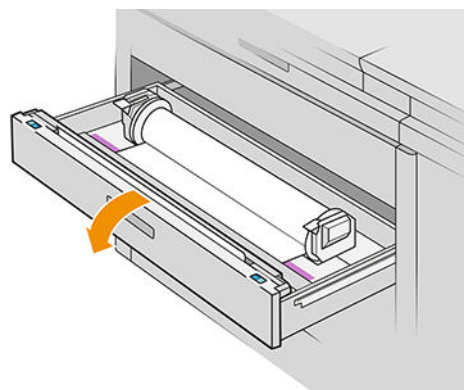
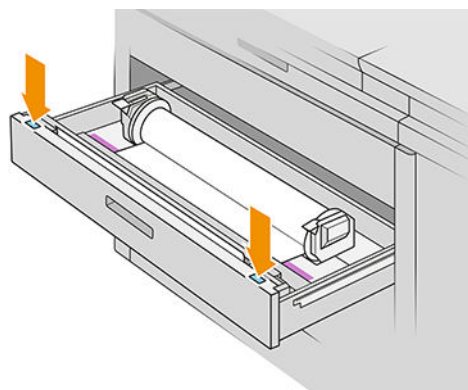
1. Open the drawer in which the paper jam has occurred.



2. Cut the paper if necessary.



3. Open the front cover of the drawer.



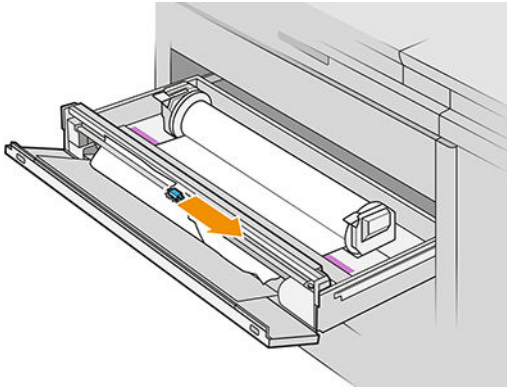
Areas where a jam may occur are identified with this label:



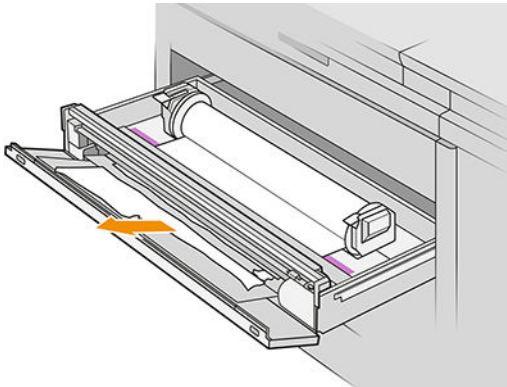
4. Move the cutter to the right-hand side, unless it is there already.

**⚠ CAUTION:** Take care not to cut yourself when moving the cutter.

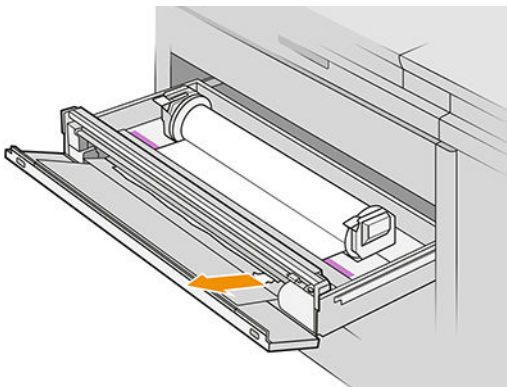
**CAUTION:** Do not dismantle the cutter assembly: refer it to qualified service personnel for servicing.



5. Remove the paper, cutting it manually if necessary.



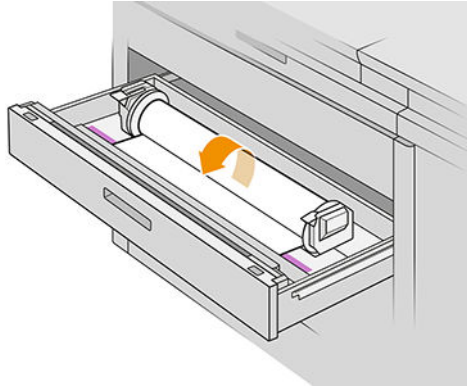
6. Make sure there are no loose pieces of paper left in the drawer.



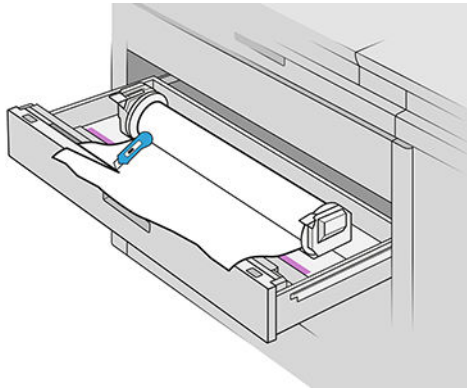
7. Close the front cover of the drawer.



8. Rewind the paper.



9. Cut off the leading edge of the paper if it has been damaged.



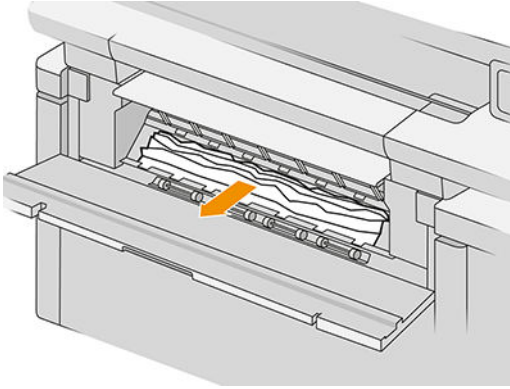
10. Rewind again and feed the paper into the slot.
11. Use the paper-cut button to cut the leading edge again.
12. Close the drawer.
13. Wait until the printer is ready for paper.
14. The printer resumes the job and automatically reprints any lost pages. However, you should check that all pages of the job have been printed.

## Paper jam in the paper access front cover



1. Open the front cover.

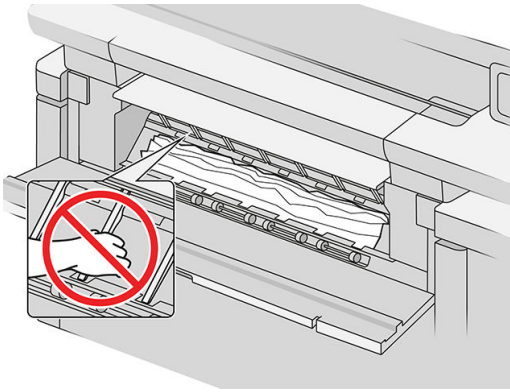
2. Pull out the paper.



---

**⚠ CAUTION:** Be careful to pull out only the paper and not the struts of the printer.

---



3. Cut the paper if necessary.

---

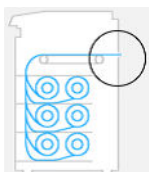
**✂ IMPORTANT:** Use scissors for this purpose, not a single blade.

---

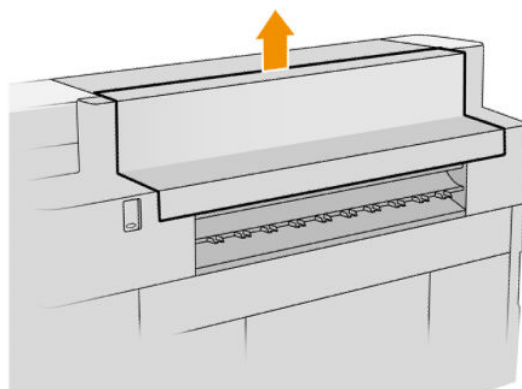
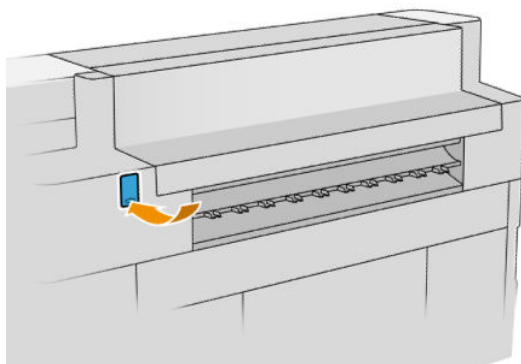


4. Make sure there are no loose pieces of paper left.
5. Close the front cover.
6. Wait until the printer is ready for paper.
7. The printer resumes the job and automatically reprints any lost pages. However, you should check that all pages of the job have been printed.

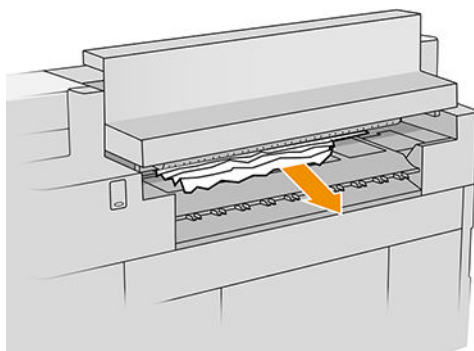
## Paper jam in the paper output



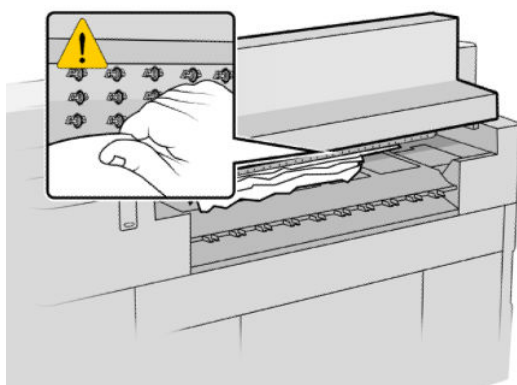
1. Make sure that the jam is not in the accessory interface.
2. If you have a folder installed, raise the folder tray.
3. Push the button to raise the output module.



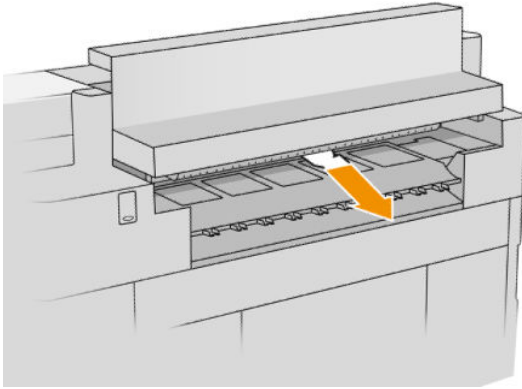
4. Pull out the paper.



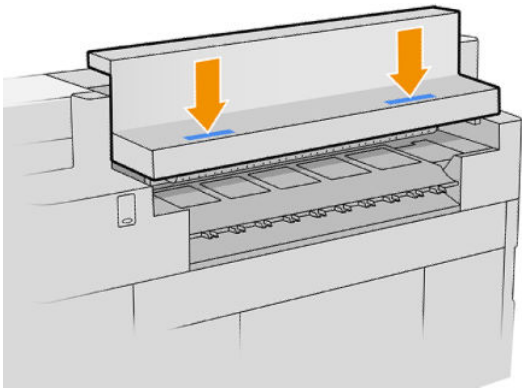
**⚠ CAUTION:** Be careful not to touch the pinchwheels: they are sharp and can cut your fingers.



5. Make sure there are no loose pieces of paper left.



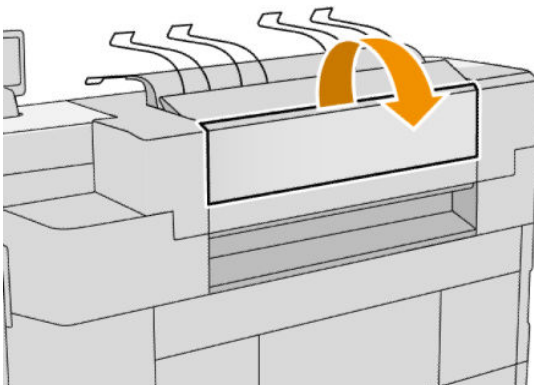
6. Close the output module.



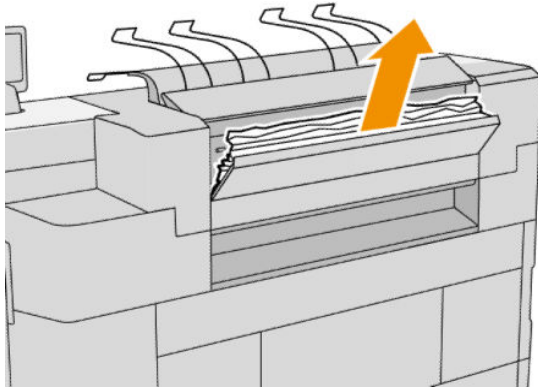
7. Wait until the printer is ready for paper.
8. The printer resumes the job and automatically reprints any lost pages. However, you should check that all pages of the job have been printed.

## Paper jam in the top stacker

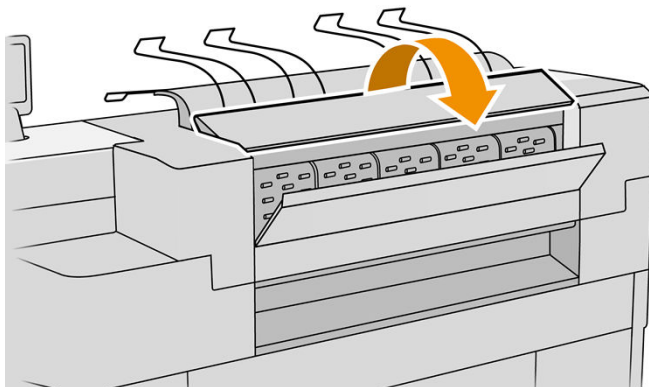
1. Open the rear cover.



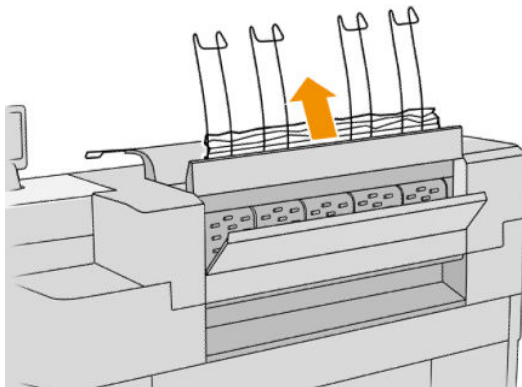
2. Pull out the paper.



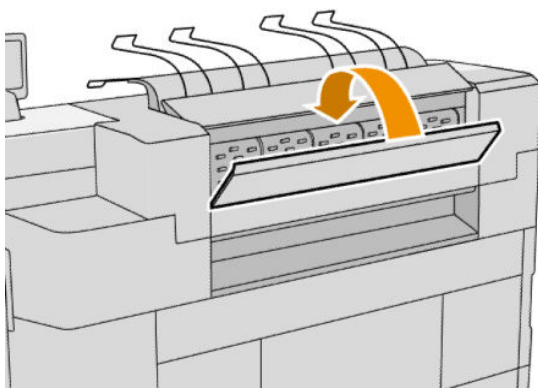
3. Open the stacker.



4. Pull out the paper.

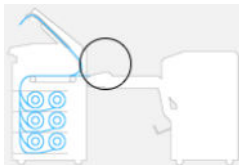


5. Close the rear cover.

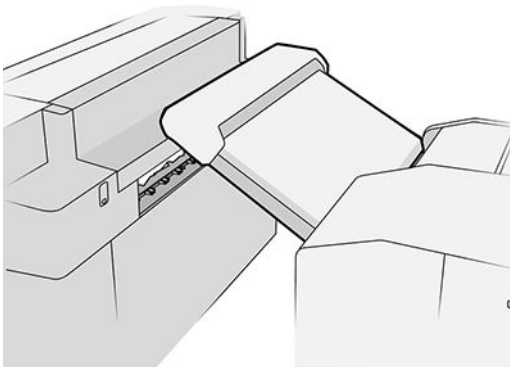


6. Close the stacker.
7. Wait until the printer is ready for paper.
8. The printer resumes the job and automatically reprints any lost pages. However, you should check that all pages of the job have been printed.

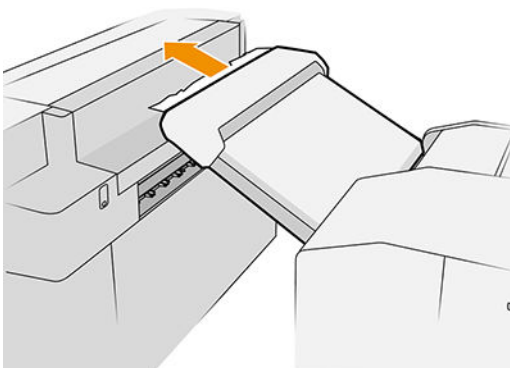
## Paper jam in the folder input (HP F60, HP F70, and HP PageWide XL folders)



1. Open the fan-fold cover to stop the folder motor and cut the power supply to it.
2. If necessary, cut the paper between the printer and the tray.
3. Remove the paper from the no-fold tray.
4. Unlatch and lift the folder input.



5. Pull out the paper from the tray.

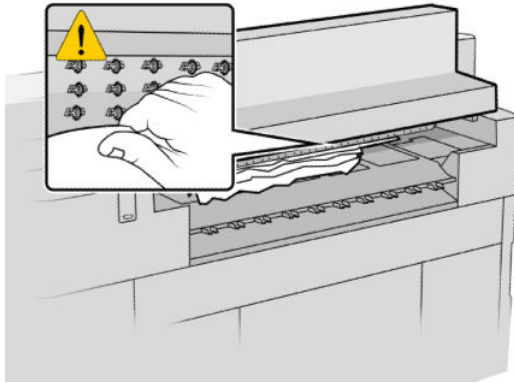


6. Push the button to raise the output module.
7. Pull out the paper.

---

**⚠ CAUTION:** Be careful not to touch the pinchwheels: they are sharp and can cut your fingers.

---



8. Make sure there are no loose pieces of paper left.
9. Close the output module.
10. Lower the tray.
11. Wait until the printer is ready for paper.
12. The printer resumes the job and automatically reprints any lost pages. However, you should check that all pages of the job have been printed.

## Paper jam in the no-fold tray (HP F60, HP F70, and HP PageWide XL folders)

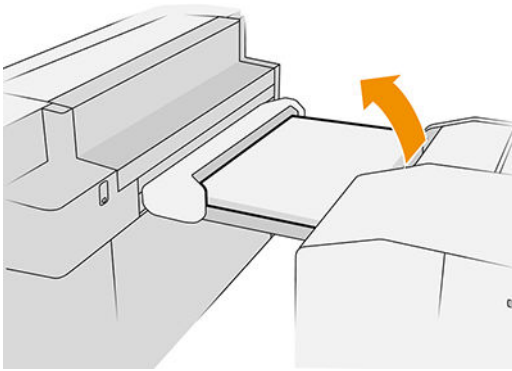


---

**📄 IMPORTANT:** This operation must be performed by a service engineer or by someone else with appropriate training.


---

1. Open the top cover of the tray.



2. Cut the paper between the printer and the folder, if necessary.
3. Remove the paper.
4. Close the cover.

---

 **CAUTION:** Be careful where you place your hands.

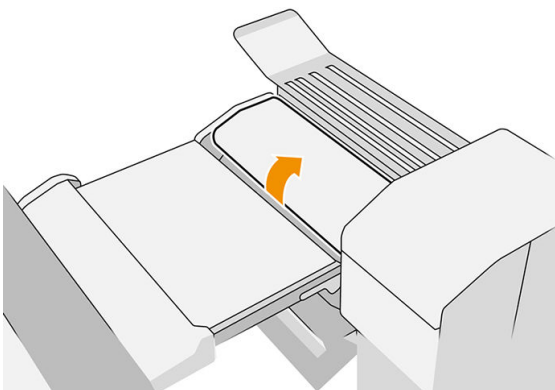
---

5. Wait until the printer is ready for paper.
6. The printer resumes the job and automatically reprints any lost pages. However, you should check that all pages of the job have been printed.

## Paper jam on the fan-folding path (HP F60, HP F70, and HP PageWide XL folders)




1. Try to remove the paper by pulling it from the no-fold tray. If you cannot remove all the paper this way, continue with the following steps.
2. Open the fan-folding cover.



3. Pull the paper out.

---

 **NOTE:** You may see paper by the fan-fold tray or at the rear of the folder. Try to pull it out wherever you see it.

---



4. Remove any remaining pieces of paper.
5. Ensure that the metal balls remain in place.
6. Close the cover.
7. Wait until the printer is ready for paper.
8. The printer resumes the job and automatically reprints any lost pages. However, you should check that all pages of the job have been printed.

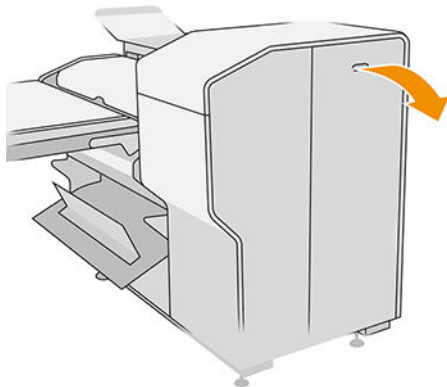
## Paper jam between the fan fold and cross-folding path

This should be easily visible from behind the folder. Open the fan-fold cover to stop the folder motor, and remove the paper.

## Paper jam on the cross-folding path (HP F60, HP F70, and HP PageWide XL folders)

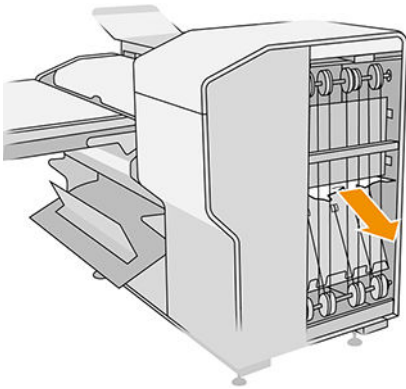


1. Open the cross-folding cover.



2. Remove the paper.

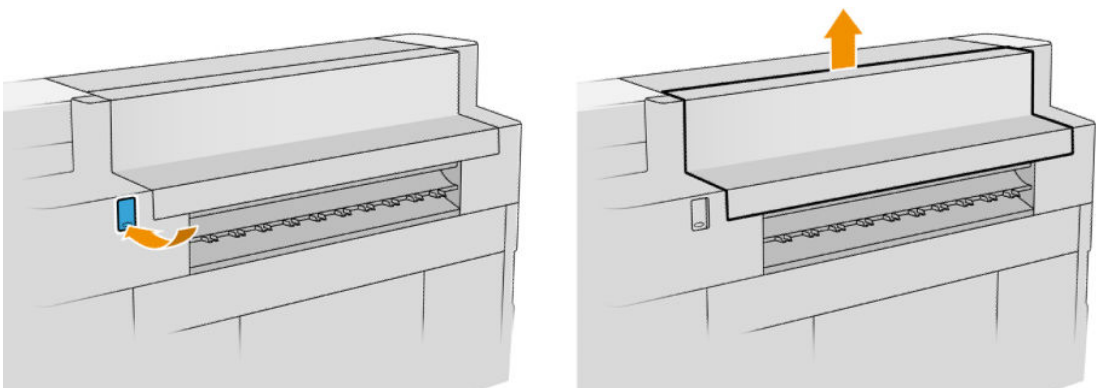
**⚠ CAUTION:** Take care to avoid injury.



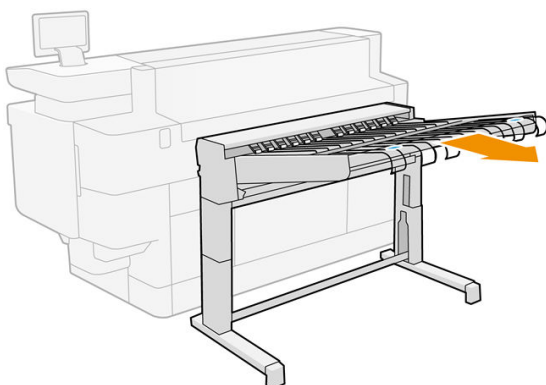
3. Close the cover.
4. Wait until the printer is ready for paper.
5. The printer resumes the job and automatically reprints any lost pages. However, you should check that all pages of the job have been printed.

## Paper jam in the high-capacity stacker

1. Press the output button to raise the output module.

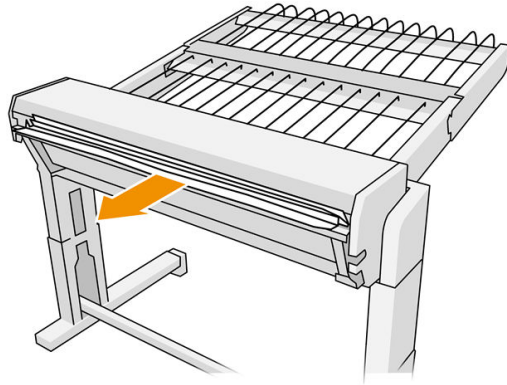


2. Remove the high-capacity stacker. You can pull the stacker by the beam at the rear of the tray.

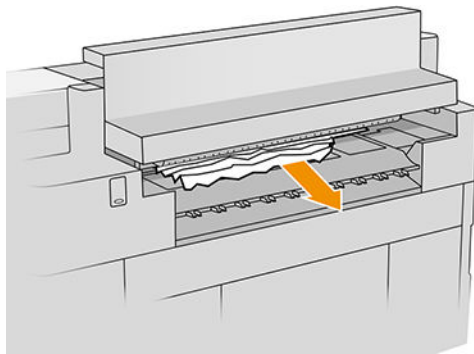


3. Cut the paper between the printer and the high-capacity stacker, if necessary.

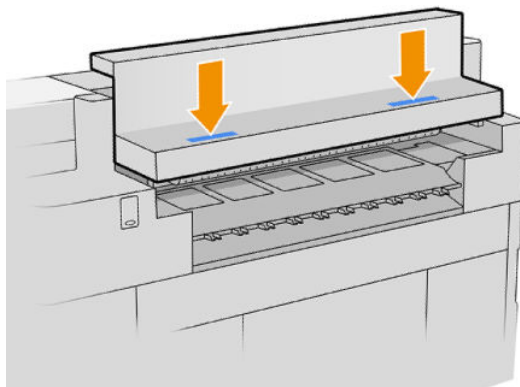
4. Remove the paper from the high-capacity stacker.



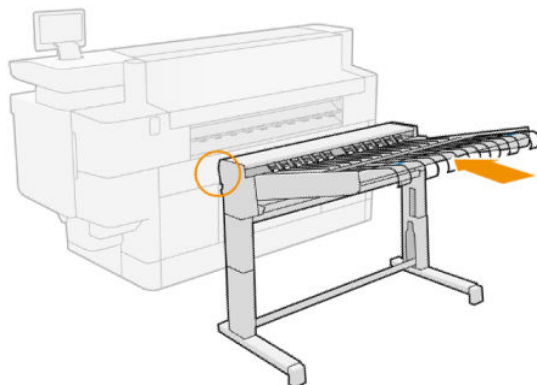
5. Remove the paper from the printer.



6. Close the output module.



7. Reconnect the high-capacity stacker.



8. Wait until the printer is ready for paper.
9. The printer resumes the job and automatically reprints any lost pages. However, you should check that all pages of the job have been printed.

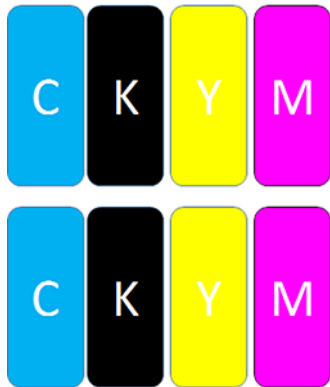
---

## 3 Ink system

- [Ink cartridges](#)
- [Print bar](#)
- [Cleaning container](#)
- [Maintenance cartridge](#)
- [Safe mode](#)

## Ink cartridges

The printer has two sets of ink cartridges in the order C1K1Y1M1 – C2K2Y2M2, with a capacity of 775 ml. One cartridge of each color is used at a time, the other is inactive until needed, and can be replaced while printing continues.



Below each ink cartridge, the printer has two LED indicators: a padlock and an inkdrop.



- The padlock LED is on when the cartridge is in use.



**IMPORTANT:** Do not try to remove a cartridge when the padlock LED is on.

- The inkdrop LED turns yellow when the cartridge is almost out of ink, and turns red when the cartridge is empty or faulty.

Ink cartridges require no maintenance or cleaning, but must be shaken before installation. High-quality printing is maintained even when the ink level is low.

**CAUTION:** Avoid touching pins, leads, and circuitry when handling ink cartridges, because these elements are sensitive to electrostatic discharge. Such devices are called ESD-sensitive devices. See [Glossary on page 144](#). Electrostatic discharges are one of the main hazards to electronics products. This type of damage can reduce the life expectancy of the device.

The status of each cartridge is reported in the front panel:

- OK: The cartridge is working normally.
- Reseat: The cartridge is not responding, but removing and reinserting it may solve the problem.
- Replace: The cartridge has been identified as faulty. It should be replaced by a functional cartridge.
- Low on ink: The cartridge is low on ink. It should be replaced soon.
- Very low on ink: The cartridge is very low on ink. It should be replaced very soon.
- Empty: The cartridge has no ink. It should be replaced.
- Missing: The cartridge is missing.
- Wrong/Incompatible/Incorrect: The cartridge type is not suitable for this printer.
- Expired: The cartridge has reached its expiration date.
- Altered: The cartridge has been identified as refilled or altered.

## Ink cartridge part numbers

PageWide Printer 775 ml	C1Q45A	HP 842A 775-ml Black Ink Cartridge
	C1Q46A	HP 842A 775-ml Cyan Ink Cartridge
	C1Q47A	HP 842A 775-ml Magenta Ink Cartridge
	C1Q48A	HP 842A 775-ml Yellow Ink Cartridge
	C1Q49A	HP 842B 775-ml Black Ink Cartridge
	C1Q50A	HP 842B 775-ml Cyan Ink Cartridge
	C1Q51A	HP 842B 775-ml Magenta Ink Cartridge
	C1Q52A	HP 842B 775-ml Yellow Ink Cartridge
	C1Q53A	HP 842C 775-ml Black Ink Cartridge
	C1Q54A	HP 842C 775-ml Cyan Ink Cartridge
	C1Q55A	HP 842C 775-ml Magenta Ink Cartridge
	C1Q56A	HP 842C 775-ml Yellow Ink Cartridge

## Replace ink cartridges on the fly

You can replace a cartridge at any time when its padlock LED is off. If the padlock LED is on, you must pause the job queue and wait until the LED turns off.

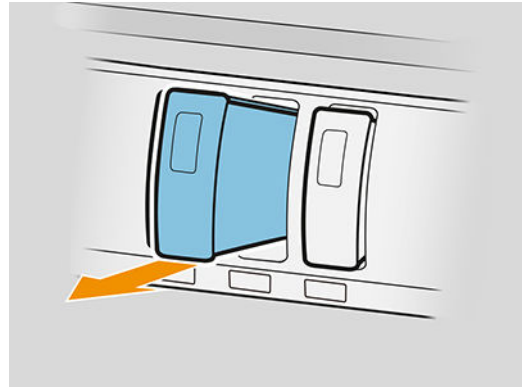
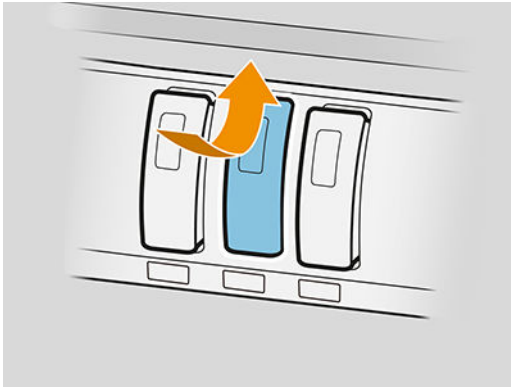
## Replace ink cartridges from the front panel



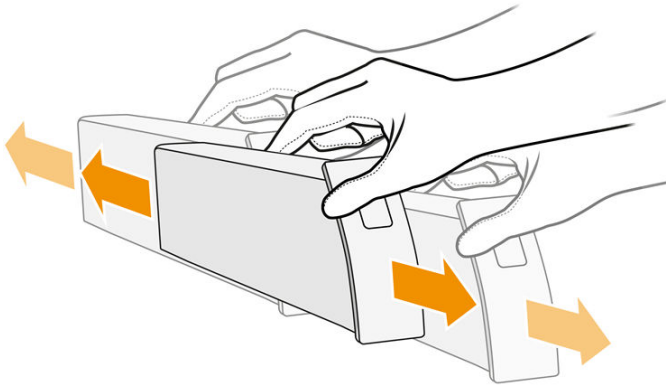
1. Go to the front panel and tap , then the **Ink cartridges** tab, then **Replace**.

If a cartridge runs out of ink, the printer will automatically try to switch to the other cartridge of the same color, after which you can replace the empty cartridge without any interruption to printing. If the ink cartridge you want to replace is locked, you will need to pause the job queue to continue.

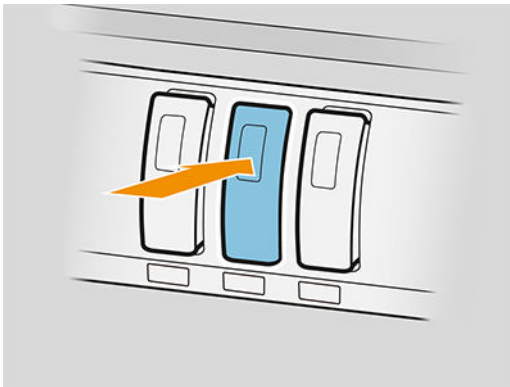
2. When prompted, press the old cartridge and slide it up to release it.



3. Shake the new cartridge six times.



4. Insert the new cartridge and push it in as far as it will go.



5. Follow the instructions in the front panel.
6. When you have replaced all cartridges that you want to replace, tap **Finish and check**.
7. Make sure that you comply with all applicable federal, state, and local regulations when disposing of ink system consumables.

If a cartridge runs out of ink, the printer will automatically try to switch to the other cartridge of the same color, after which you can replace the empty cartridge without any interruption to printing.

If the available ink is exhausted while printing a page, printing stops and the page is ejected. When a new cartridge is inserted, printing can resume, and the interrupted page is reprinted in full.






HP recommends that you replace an empty cartridge with a new HP cartridge. See [Ink cartridge part numbers on page 57](#).



The use of refilled or altered ink cartridges has several serious disadvantages:


- There is some risk of damaging the printer. In this case the printer warranty will not be valid for any printer repairs that are related to the cartridge, nor for any problems due to ink contamination.
- You will invalidate the warranty of all printheads of the same color used in the printer subsequently.
- Print quality may be impaired.
- The printer will be unable to estimate the ink level in the cartridge, and will not report it.

If you want to force the printer to accept what it sees as an empty cartridge, proceed as follows:

1. Tap  on the front panel, then , , , .
2. The front panel notifies you that the cartridge is altered, and the cartridge acceptance process starts. Follow the instructions displayed on the front panel. If your cartridge is not an Original HP cartridge, HP recommends that you stop the process. To check the authenticity of your cartridges, go to <http://www.hp.com/go/anticounterfeit>.
3. If you proceed, the front panel displays a series of warning messages.

When the process is finished, the front panel gives the usual ink cartridge display, but the cartridge does not report its ink level.

---

 **NOTE:** Dynamic security enabled printer. Only intended to be used with cartridges using an HP original chip. Cartridges using a non-HP chip may not work, and those that work today may not work in the future. More at: <http://www.hp.com/go/learnaboutesupplies>.

---


## Ink cartridge maintenance

During the normal lifetime of a cartridge, no specific maintenance is required. You should replace a cartridge when it has reached its expiry date. You can find the expiry date in the the ink cartridge information on the front panel.

## Ink cartridge troubleshooting

1. Check that you have the correct type of cartridge (model number).
2. Check that the cartridge label is the same color as the slot label.
3. Check that the cartridge is correctly oriented: the arrow on the front of the cartridge should face upwards.

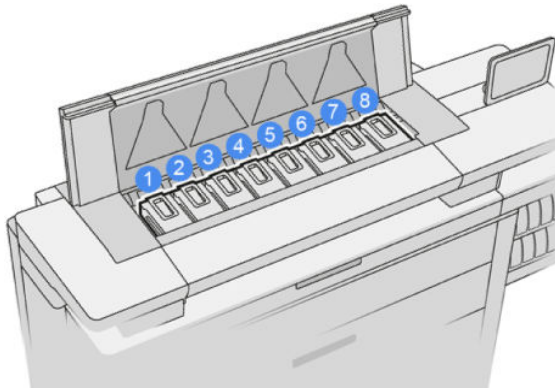
---

 **CAUTION:** Never clean inside the ink cartridge slots.

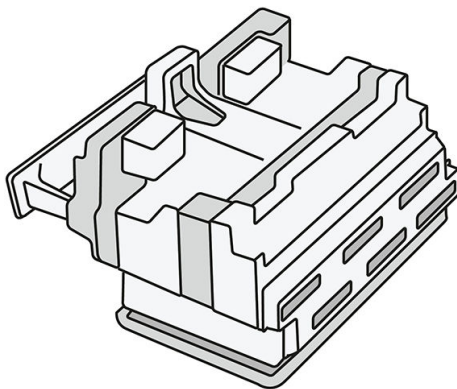
---

## Print bar

The key printing element is a fixed 40 inch (1016 mm) print bar, composed of 8 printheads, numbered 1 to 8 from left to right, looking at the printer from the front. The paper advances at high speed underneath the print bar, which ejects pigmented inks in four colors.



The printheads are extremely durable and do not need to be replaced every time an ink cartridge is replaced. They provide excellent results even when the ink cartridges contain a low level of ink.



To maintain optimum print quality, the printheads are automatically tested at regular intervals, and automatically serviced when necessary. This takes a little time and can occasionally delay printing. When a printhead eventually needs to be replaced, the front panel will display a message.

The printer's paper-loading system includes an auto-indexing facility: whenever paper is loaded, the printer moves the position of the roll to compensate for printhead nozzle usage and extend the lifetime of each printhead. This is an automatic behavior, but you may notice that the front and rear rolls change position slightly between rolls.

---

**CAUTION:** Do not touch the printhead nozzles.

---



---

**CAUTION:** Do not put the printhead down on any surface for any reason.

---

**TIP:** Printheads are best preserved inside the printer. Moreover, if you remove the printheads, the printer will need to be recalibrated whenever you put them back. Therefore you are recommended not to remove them unnecessarily.

---

### Printhead status


- **OK:** The printhead is working normally.
- **Missing:** No printhead is detected in the slot.
- **Replace:** The printhead has been identified as faulty. It should be replaced by a new or working printhead.
- **Reset:** The printhead has been identified as faulty, but removing and reinserting it may perhaps solve the problem.

- **Remove:** The printhead needs to be removed.
- **Printhead replacement incomplete. Restart it.**

The printhead did not complete the replacement procedure. You must restart the replacement and fully complete it.

- If the warranty status is **Out of warranty**, this indicates that the warranty conditions have expired (for example, ink consumption exceeds the warranted limit).

---

 **NOTE:** If a printhead is out of warranty, one of three possible status values may be seen in its health gauge:

- **OK:** The printhead can print normally.
- **Monitor IQ:** Print quality may not be maintained in all prints.
- **Recover:** You are recommended to use enhanced printhead recovery on that printhead (see [Enhanced printhead recovery on page 118](#)).

---

If the warranty status is **See warranty note**, this indicates that the warranty conditions have been breached (for example, expired or non-HP ink has been used).

You can check the warranty status in the printer information app.

See the limited warranty document provided with your printer for details of the warranty implications.

## Printhead part number


The HP 841 printhead has the part number C1Q19A.


## Replace printheads

Printheads rarely need to be replaced, but the front panel will tell you when a printhead is failing or has reached the end of its life.

Alternatively, a test print may indicate a printhead problem before the printer detects it.


---

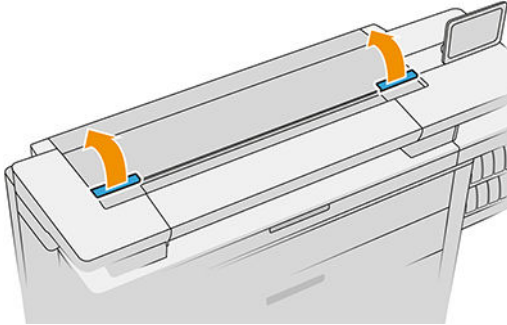
 **CAUTION:** Avoid touching pins, leads, and circuitry when handling printheads, because these elements are sensitive to electrostatic discharge. Such devices are called ESD-sensitive devices. See [Glossary on page 144](#). Electrostatic discharges are one of the main hazards to electronics products. This type of damage can reduce the life expectancy of the device.

 **IMPORTANT:** Recalibrate the printer after any printhead replacement (see [Calibrate print bar on page 116](#)). Make sure you have the right paper for the calibration loaded before replacing the printhead. Use gloves when handling any component of the ink system.

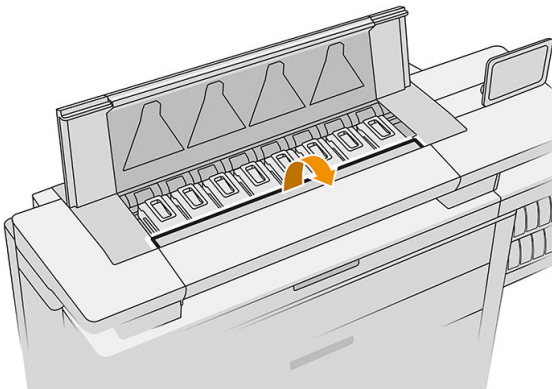
---



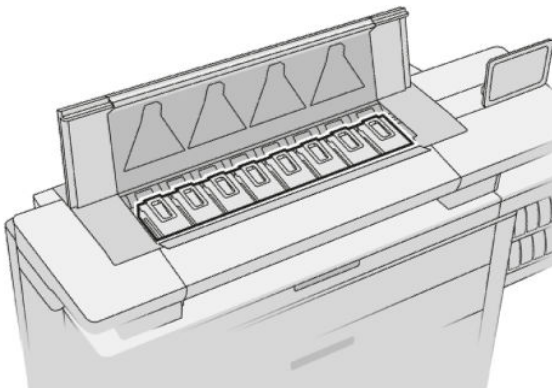
1. Ensure that all ink cartridges are at least 25% full.
2. Start the printhead replacement from the front panel: tap , then the **Printhead** tab, then **Replace**.
3. If you have a top stacker, open it.
4. Wait for the print bar to reach the replacement position.
5. Open the top cover with both hands by pressing the side buttons.




6. Open the print-bar cover.



7. Identify the printhead(s) that you want to replace.

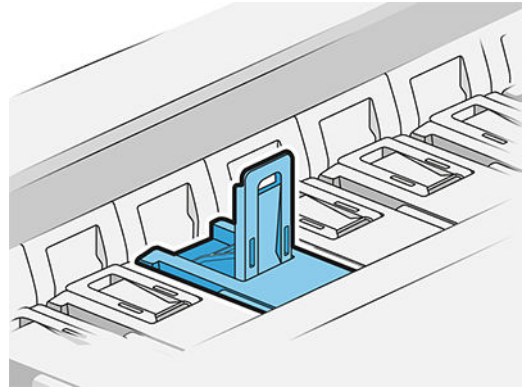
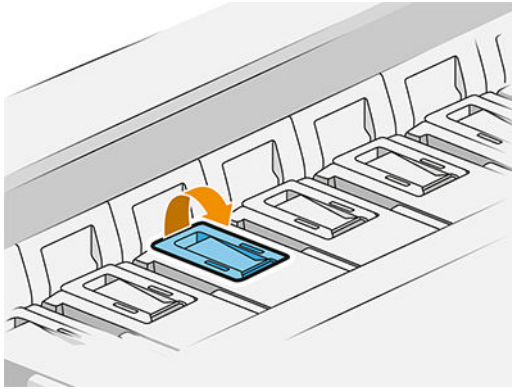


---

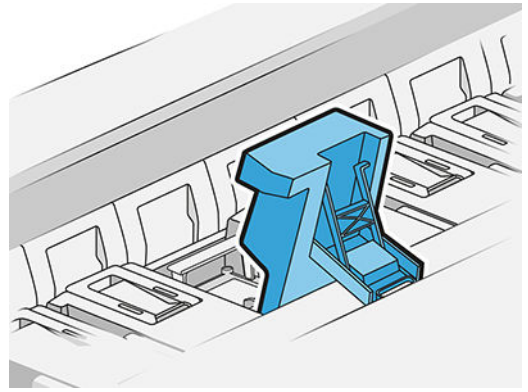
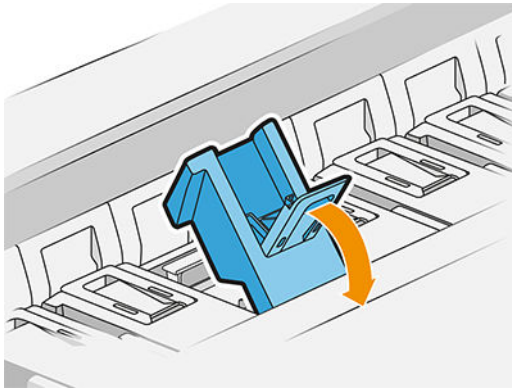
 **NOTE:** You can replace more than one printhead at a time.

---

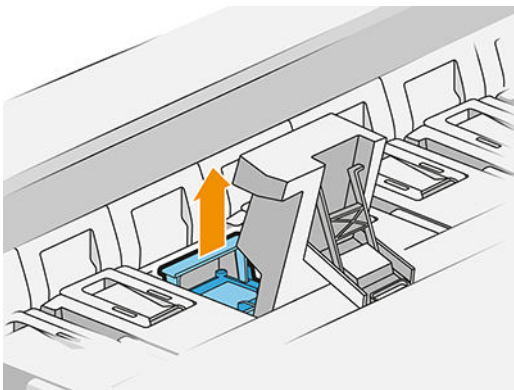
8. Pull up the printhead handle.



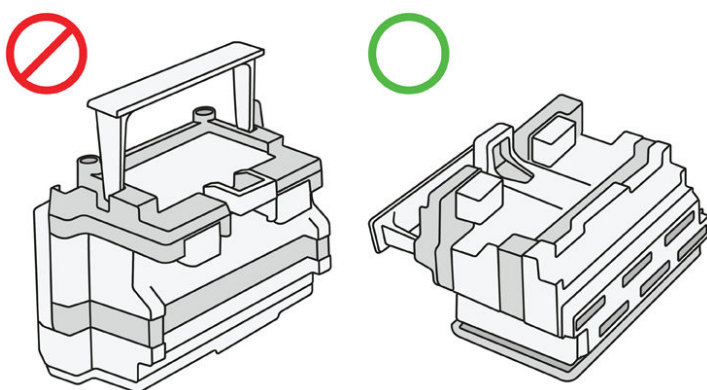
9. Lift the latch.



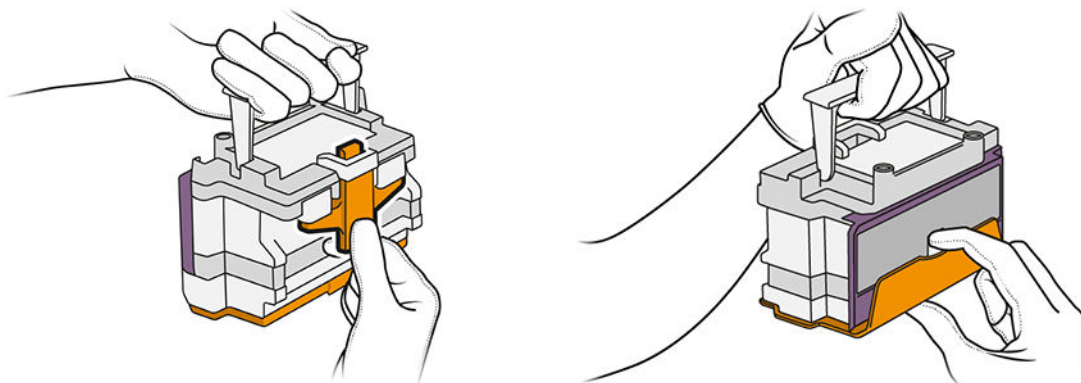
10. Extract the printhead carefully.



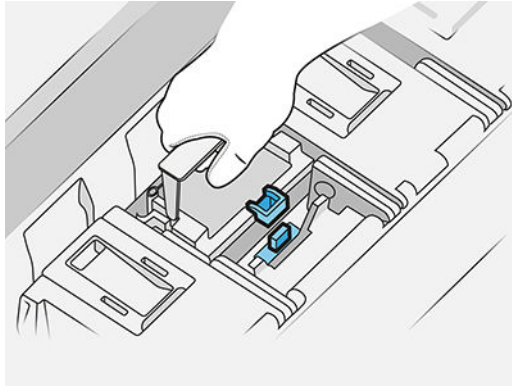
**IMPORTANT:** Printheads are fragile. Leave the printhead oriented as shown below, if you intend to use it again later. Never touch the nozzles, which could damage them. If you remove multiple printheads and intend to use them later, make sure to keep them in the right order.



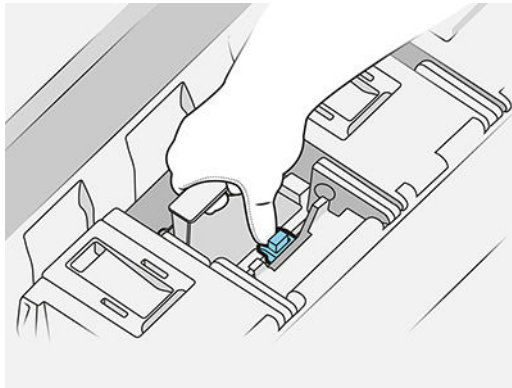
11. Slowly remove the protective caps from the new printhead in the order shown below.



12. Insert the new printhead as shown below.



13. Press it in firmly until you feel resistance.



14. Close the latch.
15. Close the handle.
16. Close the top cover.
17. If you have a top stacker, close it.
18. Tap **Continue** and wait about 24 minutes while the printer performs automatic calibrations and checks.
19. Make sure that you comply with all applicable federal, state, and local regulations when disposing of ink system consumables.

## Printhead maintenance

The printer and the maintenance cartridge clean the printheads automatically.

Avoid removing printheads unnecessarily.

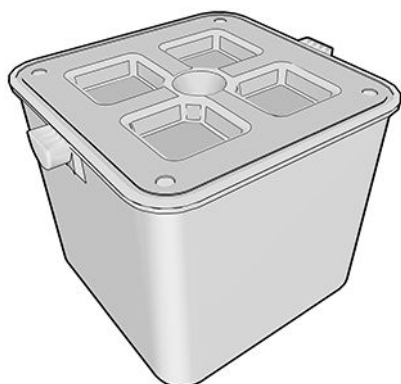
## Printhead troubleshooting

1. Check that you have the correct type of printhead (model number).
2. Check that you have removed the orange protective caps from the printhead.
3. Check that the printhead is correctly oriented: compare it with the others.

4. Check that you have closed and latched the printhead cover.
5. If you still have problems when printing, see [Print quality on page 113](#).

## Cleaning container

The cleaning container is a replaceable part that collects waste ink in liquid form, with a capacity of about 2 liters.



The cleaning container is designed to keep the printer's waste ink from damaging the printer and dirtying its surroundings.

In order to achieve these objectives, you must ensure that it is correctly installed and maintained, changing it when prompted by the front panel.

---

 **TIP:** You are recommended to wear gloves when replacing the cleaning container.

---

Always replace the cleaning container with the printer switched on, otherwise the counters may not work properly.

If the printer continues operating while the container is incorrectly installed or connected, HP will not be responsible for any resulting damage or cleaning expenses.

You can check the cleaning container status in the front panel.

### Cleaning container status

- **Ready**
- **Missing:** The cleaning container is not detected.
- **Almost full:** This is estimated by the printer.
- **Full:** The printer has stopped printing. It will continue after the cleaning container has been replaced.



### Cleaning container part number

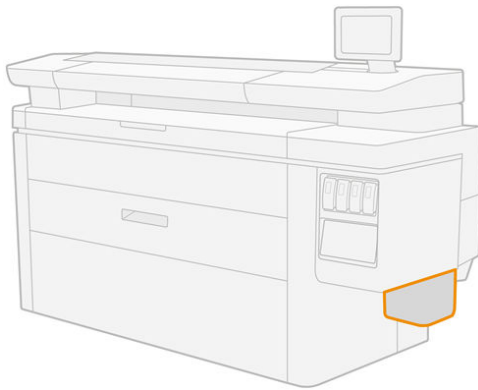
The HP 841 cleaning container has the part number F9J47A.



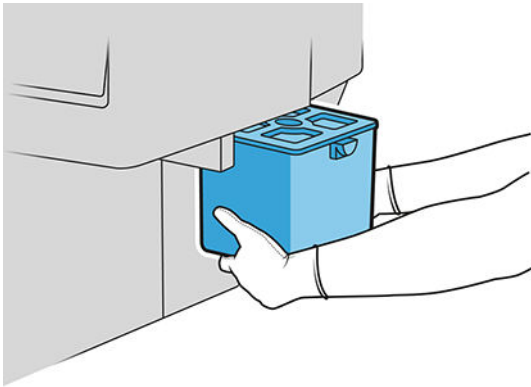
## Replace the cleaning container




1. At the front panel, tap , then , then **Cleaning container > Replace**.
2. Locate the cleaning container.



3. Extract the cleaning container: lift it a little, then pull it out.




---

 **TIP:** If you leave the printer without a cleaning container for long, some drops of liquid may escape and stain the floor. Try to replace it rapidly.

---

4. Remove the packaging from the new cleaning container.
5. Insert the new cleaning container in place of the old one.

---

 **NOTE:** If you insert a cleaning container that has been used in another printer, the **Almost full** warning will be unreliable.

---

6. The printer checks the installation.
7. Make sure that you comply with all applicable federal, state, and local regulations when disposing of ink system consumables.

## Cleaning container troubleshooting

If the cleaning container is correctly installed but the printer does not detect it, first try taking it out and putting it back again. If that fails, call your support representative.

## Maintenance cartridge

The maintenance cartridge cleans and maintains the printheads, and stores waste ink.

The maintenance cartridge contains a roll of cloth, which is used to clean the printheads. It has a total capacity of 500 wipes (cleaning operations). A heavy user will need to replace it about every 2 months.

The printer will refuse to start a print job if it detects the end of the cleaning roll. You should then replace the maintenance cartridge with a new one.

---

 **TIP:** You are recommended to wear gloves when replacing the maintenance cartridge.

---

### Maintenance cartridge status

- Ready
- Missing
- Almost finished
- Finished

## Maintenance cartridge part number

The HP 841 maintenance cartridge has the part number F9J48A.

## Replace the maintenance cartridge



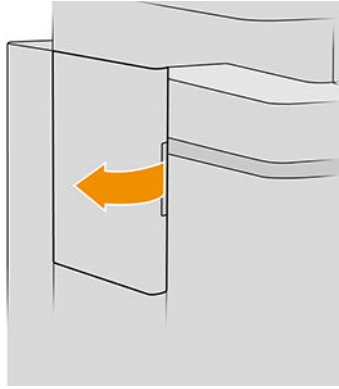
---

 **IMPORTANT:** Be ready with the new maintenance cartridge before starting the replacement. Once the cartridge is moved to the replacement position, you have 40 seconds to change it. If you exceed that limit, the maintenance cartridge is automatically moved back so that the printheads do not become dry. If the front panel shows an error, close the service door.

---

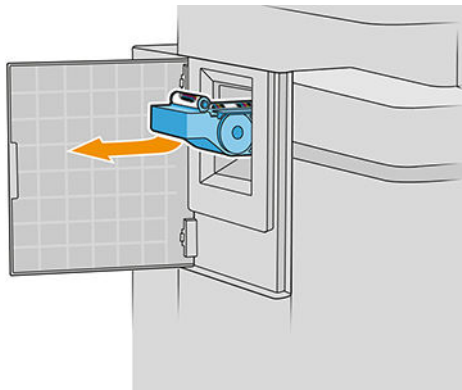
1. Remove the packaging from the new maintenance cartridge.
2. Start the replacement from the front panel.

3. When prompted by the front panel, open the maintenance cartridge door.

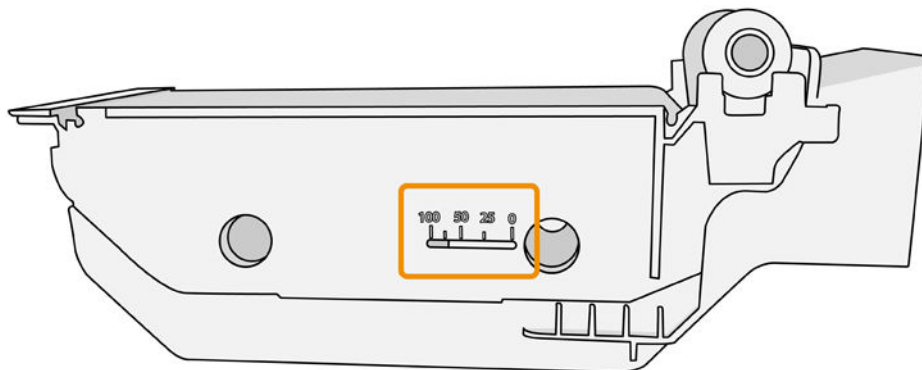


 **IMPORTANT:** When removing a maintenance cartridge, remember that it contains ink. Therefore, wear gloves and hold the cartridge by the handle.

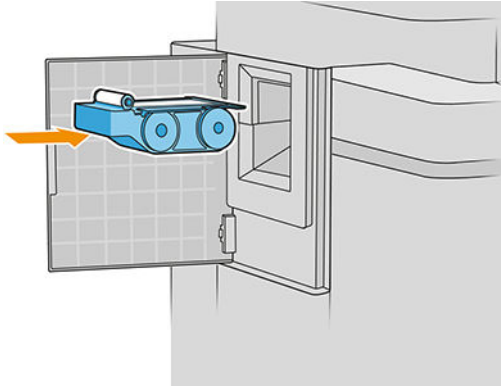
4. To remove the maintenance cartridge, grip the handle and slide it out.



5. If you intend to insert a partially used replacement cartridge, make a note of the percentage of cloth remaining, which is shown approximately on the side of the cartridge. You will be asked for this figure later.



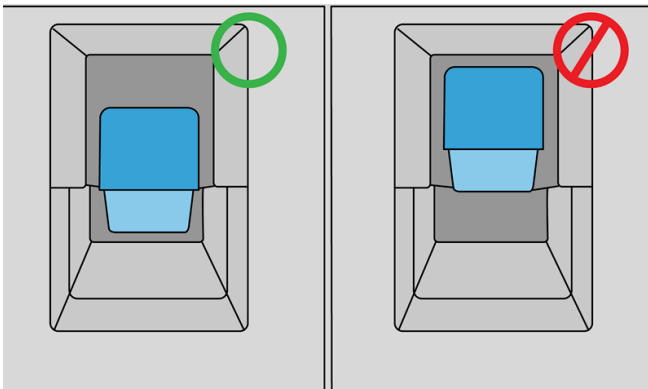
6. Insert the new maintenance cartridge into the slot.



---

 **IMPORTANT:** Be careful to insert the maintenance cartridge correctly.

---



7. Push in the maintenance cartridge into place; do not use excessive force.


---

 **NOTE:** The front panel will not show the new maintenance cartridge until the door is closed.

---

8. Close the door.
9. Make sure that you comply with all applicable federal, state, and local regulations when disposing of ink system consumables.

---

 **NOTE:** In order to start printing, the printer needs all the ink cartridges, printheads, and maintenance cartridge to be installed, and the printer window and maintenance cartridge door to be closed.

---

The front panel asks whether the cartridge is new or used. If used, you are asked to enter the percentage of cloth remaining. This information is used by the printer to estimate when the cartridge will need replacing.

## Maintenance cartridge troubleshooting


If the printer does not detect the maintenance cartridge that you have inserted, open the door and make sure the maintenance cartridge is correctly inserted. If this does not solve the problem, contact your support representative.


## Safe mode


Under certain conditions, including printer operation outside of environmental specifications, and when a used, refilled, or counterfeit ink cartridge has been detected, the printer will operate in safe mode. HP is unable to warrant the performance of the printing system when operated outside of environmental specifications or when a used, refilled, or counterfeit ink cartridge is installed. Safe mode is designed to protect the printer and the printheads from damage due to unexpected conditions, and is in operation when the icon is displayed on the printer's front panel and by the Embedded Web Server and HP Utility.

For optimal performance, use original HP ink cartridges. HP DesignJet printing systems, including original HP inks and printheads, are designed and engineered together to provide uncompromising print quality, consistency, performance, durability, and value—with every print.

---

 **NOTE:** This printer is not designed to use continuous ink systems. To resume printing, remove the continuous ink system and install genuine HP (or compatible) cartridges.

 **NOTE:** This printer is designed for ink cartridges to be used until they are empty. Refilling cartridges prior to depletion might cause your printer to fail. If this happens, insert a new cartridge (either genuine HP or compatible) to continue printing.

 **NOTE:** Dynamic security enabled printer. Only intended to be used with cartridges using an HP original chip. Cartridges using a non-HP chip may not work, and those that work today may not work in the future. More at: <http://www.hp.com/go/learnaboutsupplies>.

---

---

# 4 Networking

- [Introduction](#)
- [Control network protocols](#)
- [Front-panel menu items](#)
- [Link configuration methods](#)
- [Troubleshooting](#)

## Introduction

The printer provides a single RJ-45 connector port for a network connection. In order to meet Class B limits, the use of shielded I/O cables is required.

The embedded Jetdirect print server supports connection to IEEE 802.3 10Base-T Ethernet, IEEE 802.3u 100Base-TX Fast Ethernet and 802.3ab 1000Base-T Gigabit Ethernet compliant networks. When connected and powered on, the printer auto-negotiates with your network to operate with a link speed of 10, 100, or 1000 Mbps, and to communicate using full- or half-duplex mode. However, you can manually configure the link using the printer's front panel, or through other configuration tools once network communication is established.

The printer can support multiple network protocols simultaneously, including TCP/IPv4 and TCP/IPv6. For security, it includes features to control IP traffic to and from the printer and supports configuration of IP Security (IPsec) protocols.



## Control network protocols

The printer can simultaneously support multiple network communication protocols. This allows network computers that may be using different protocols to communicate with the same printer.

Each protocol may require some configuration before the printer can communicate on the network. For some protocols, required parameters are automatically sensed and user-specified settings are not needed. However, for other protocols, there may be many parameters to configure.



## Enable or disable network protocols

If a network protocol is enabled, the printer may actively transmit on the network even when there are no computers on the network that use the protocol. This may increase network traffic. To eliminate unnecessary traffic, you can disable unused protocols. Disabling unused protocols lets you:

- Reduce network traffic by eliminating broadcast messages from unused protocols
- Provide better control over who prints to the printer by eliminating users from other networks who might route print jobs to this printer
- Display protocol-specific error conditions for enabled protocols only

To disable unused protocols through the device's control panel menu, see [Front-panel menu items on page 73](#). For other tools, such as system command access to the embedded Telnet server, see the *HP Jetdirect Print Server Administrator's Guide* for your print server model.

## Front-panel menu items

To access the printer network configuration settings, go to the front panel and tap , then , then **Gigabit Ethernet**.

Menu item	Sub-menu item	Sub-menu item	Values and Description
Information	Print Sec Report		Yes : Prints a report.
			No (default): Does not print a report.
TCP/IP	Host Name		An alphanumeric string, up to 32 characters, used to identify the device. This name is listed on the HP Jetdirect configuration page. The default host name is NPIxxxxxx, where xxxxxx is the last six digits of the LAN hardware (MAC) address.
		IPv4 Settings	Config Method
		DHCP Release	This menu appears if <b>Config Method</b> was set to <b>DHCP</b> and a DHCP lease for the print server exists.  <b>No</b> (default): The current DHCP lease is saved.  <b>Yes</b> : The current DHCP lease and the leased IP address are released.
		DHCP Renew	This menu appears if <b>Config Method</b> was set to <b>DHCP</b> and a DHCP lease for the print server exists.  <b>No</b> (default): The print server does not request to renew the DHCP lease.  <b>Yes</b> : The print server requests to renew the current DHCP lease.
		Manual Settings	(Available only if <b>Config Method</b> is set to <b>Manual</b> ) Configure parameters directly from the printer control panel:  <b>IP Address</b> : The unique IP address of the printer (n.n.n.n).  <b>Subnet Mask</b> : The subnet mask for the printer (n.n.n.n).  <b>Syslog Server</b> : The IP address of the syslog server (n.n.n.n) used to receive and log syslog messages.  <b>Default Gateway</b> : The IP address (n.n.n.n) of the gateway or router used for communications with other networks.  <b>Idle Timeout</b> : The time period, in seconds, after which an idle TCP print data connection is closed (default is 270 seconds, 0 disables the timeout).



Menu item	Sub-menu item	Sub-menu item	Values and Description
		Default IP	<p>Specify the IP address to default to when the print server is unable to obtain an IP address from the network during a forced TCP/IP reconfiguration (for example, when manually configured to use BootP or DHCP).</p> <p><b>Auto IP</b> : A link-local IP address 169.254.x.x is set.</p> <p><b>Legacy</b> : The address 192.0.0.192 is set, consistent with older HP Jetdirect devices.</p>
		Primary DNS	<p>Specify the IP address (n.n.n.n) of a Primary DNS Server.</p> <p><b>NOTE</b>: This item appears only if <b>Manual</b> configuration is a higher priority than <b>DHCP</b> in the <b>Config. Precedence</b> table, configured through the embedded Web server.</p>
		Secondary DNS	<p>Specify the IP address (n.n.n.n) of a Secondary Domain Name System (DNS) Server.</p> <p><b>NOTE</b>: This item will appear only if <b>Manual</b> configuration is a higher priority than <b>DHCP</b> in the <b>Config. Precedence</b> table, configured through the embedded Web server.</p>
	IPv6 Settings	Enable	<p>Use this item to enable or disable IPv6 operation on the print server.</p> <p><b>Off</b> : IPv6 is disabled.</p> <p><b>On (default)</b>: IPv6 is enabled.</p>
		Address	<p>Use this item to manually configure an IPv6 address.</p> <p><b>Manual Settings</b> : Use the <b>Manual Settings</b> menu to enable and manually configure a TCP/ IPv6 address.</p> <p><b>Enable</b> : Select this item and choose <b>On</b> to enable manual configuration, or <b>Off</b> to disable manual configuration.</p> <p><b>Address</b> : Use this item to type a 32 hexadecimal digit IPv6 node address that uses the colon hexadecimal syntax.</p>
		DHCPv6 Policy	<p><b>Router Specified</b> : The stateful auto-configuration method to be used by the print server is determined by a router. The router specifies whether the print server obtains its address, its configuration information, or both from a DHCPv6 server.</p> <p><b>Router Unavailable</b> : If a router is not available, the print server should attempt to obtain its stateful configuration from a DHCPv6 server.</p> <p><b>Always</b> : Whether or not a router is available, the print server always attempts to obtain its stateful configuration from a DHCPv6 server.</p>
		Primary DNS	<p>Use this item to specify an IPv6 address for a primary DNS server that the print server should use.</p> <p><b>NOTE</b>: This item will appear only if <b>Manual</b> configuration is a higher priority than <b>DHCP</b> in the <b>Config Precedence</b> table, configured through the embedded Web server.</p>
		Secondary DNS	<p>Use this item to specify an IPv6 address for a secondary DNS server that the print server should use.</p> <p><b>NOTE</b>: This item will appear only if <b>Manual</b> configuration is a higher priority than <b>DHCP</b> in the <b>Config Precedence</b> table, configured through the embedded Web server.</p>

Menu item	Sub-menu item	Sub-menu item	Values and Description
	Proxy Server		<p>Specifies the proxy server to be used by embedded applications in the device. A proxy server is typically used by network clients for Internet access. It caches Web pages, and provides a degree of Internet security, for those clients.</p> <p>To specify a proxy server, enter its IPv4 address or fully-qualified domain name. The name can be up to 255 octets.</p> <p>For some networks, you may need to contact your Independent Service Provider (ISP) for the proxy server address.</p>
	Proxy Port		<p>Type the port number used by the proxy server for client support. The port number identifies the port reserved for proxy activity on your network, and can be a value from 0 to 65535.</p>
Security	Print Sec Page		<p><b>Yes</b> : Prints a page that contains the current IPsec security settings on the HP Jetdirect print server.</p> <p><b>No</b> (default): A security settings page is not printed.</p>
	Secure Web		<p>For configuration management, specify whether the embedded Web server will accept communications using HTTPS (Secure HTTP) only, or both HTTP and HTTPS.</p> <p><b>HTTPS Required</b>: For secure, encrypted communications, only HTTPS access is accepted. The print server will appear as a secure site.</p> <p><b>HTTP/HTTPS optional</b>: Access using either HTTP or HTTPS is permitted.</p> <p><b>NOTE</b>: The factory default setting depends on the print server model.</p>
	IPSEC		<p>Specify the IPsec or Firewall status on the print server.</p> <p><b>Keep</b> : IPsec/Firewall status remains the same as currently configured.</p> <p><b>Disable</b> : IPsec/Firewall operation on the print server is disabled.</p>
	802.1x		
	Enable Wipe		

Menu item	Sub-menu item	Sub-menu item	Values and Description
Reset Security			<p>Specify whether the current security settings on the print server will be saved or reset to factory defaults.</p> <p><b>No</b> (default): The current security settings are maintained.</p> <p><b>Yes</b> : Security settings are reset to factory defaults.</p>
Link Speed			<p>The link speed and communication mode of the print server must match the network. The available settings depend on the device and installed print server. Select one of the following link configuration settings:</p> <p><b>CAUTION:</b> If you change the link setting, network communications with the print server and network device might be lost.</p> <p><b>Auto</b> (default): The print server uses auto-negotiation to configure itself with the highest link speed and communication mode allowed. If auto-negotiation fails, either 100TX HALF or 10TX HALF is set depending on the detected link speed of the hub/switch port. (A 1000T half-duplex selection is not supported.)</p> <p><b>10T Half</b> : 10 Mbps, half-duplex operation.</p> <p><b>10T Full</b> : 10 Mbps, Full-duplex operation.</p> <p><b>100TX Half</b> : 100 Mbps, half-duplex operation.</p> <p><b>100TX Full</b> : 100 Mbps, full-duplex operation.</p> <p><b>100TX Auto</b> : Limits auto-negotiation to a maximum link speed of 100 Mbps.</p> <p><b>1000TX Full</b> : 1000 Mbps, full-duplex operation.</p>

## Link configuration methods

The printer supports 10, 100, or 1000 Mbps network link speeds using full-duplex or half-duplex communication modes (a 1000T half-duplex selection is not supported). By default, it will attempt to auto-negotiate its link operation with the network.

When connecting to network hubs and switches that do not support auto-negotiation, the printer will configure itself for 10 Mbps or 100 Mbps half-duplex operation. For example, when connected to a non-negotiating 10 Mbps hub, the print server will automatically set itself to operate at 10 Mbps half-duplex.


If the printer is not able to connect to the network through auto-negotiation, you can set the link setting by one of the following methods:

- The front panel
- The Embedded Web Server
- The Telnet interface, through a system command prompt
- A TFTP (Trivial File Transfer Protocol) configuration file that is downloaded, for example, from a BootP or DHCP server
- Network management tools such as HP Web Jetadmin

# Troubleshooting

## IO Configuration page

The IO Configuration page provides comprehensive print server status. It is an important diagnostic tool, especially if network communications are not available. For a description of messages that may appear on the IO Configuration page, see the *HP Jetdirect Print Servers Administrator's Guide* for your print server model.

To print the IO Configuration page, go to the front panel and tap , then **Connectivity > Print Connectivity Configuration**.

To verify correct operation:

1. Print an IO Configuration page to check for status messages.
2. In the upper section of the IO Configuration page, look for the status message **I/O Card Ready**.
3. If **I/O Card Ready** appears, the print server is operating properly. Proceed to the next section.

If a message other than **I/O Card Ready** appears, try the following:

- a. Turn the printer off and then on again to re-initialize the print server.
- b. Check that the status indicator lights (LEDs) are providing proper status.

See the *HP Jetdirect Print Servers Administrator's Guide* for your print server model to interpret and troubleshoot other messages.

## Reset network parameters

If you accidentally misconfigured the printer's network settings, they can be reset to factory default values by

tapping , then , then , then **Restore factory settings**.

---

**CAUTION:** A factory-installed HP Jetdirect X.509 certificate will be saved during reset to factory default values. However, a Certificate Authority (CA) certificate that has been installed by the user to validate a network authentication server will not be saved.

---

## Link troubleshooting

The printer has status lights (LEDs) beside the network connector that indicate the link status and network activity.

- When the green light is on, the printer has successfully linked to the network.
- When the yellow light is blinking, there is network transmission activity.

If the printer does not successfully connect to the network:

- Both LEDs will be off.
- **LAN Error – Loss of Carrier** will be indicated on the IO Configuration page.

In this situation, try the following:

1. Check the cable connections at both ends.
2. Consider replacing the cables by known good ones.
3. Consider switching to another network connector in the network switch, hub, or device to which the printer is connected.
4. Manually configure the link setting to match the port configuration of the network hub or switch. For manual configuration methods, see [Link configuration methods on page 77](#). Turn the printer off, then on again, to re-initialize the setting.
5. Print an IO Configuration page and check link settings.

Item	Description
Port Config	<p>If the printer is properly linked, this item has one of the following values:</p> <ul style="list-style-type: none"><li>• <b>10BASE-T HALF</b>: 10 Mbps, half-duplex</li><li>• <b>10BASE-T FULL</b>: 10 Mbps, full-duplex</li><li>• <b>100TX-HALF</b>: 100 Mbps, half-duplex</li><li>• <b>100TX-FULL</b>: 100 Mbps, full-duplex</li><li>• <b>1000TX FULL</b></li></ul> <p>If the printer is not properly linked, one of the following messages will appear:</p> <ul style="list-style-type: none"><li>• <b>UNKNOWN</b>: The printer is in an initialization state.</li><li>• <b>DISCONNECTED</b>: A network connection has not been detected. Check network cables. Reconfigure the link settings, or restart the printer.</li></ul>
Auto Negotiation	<p>Indicates whether auto-negotiation for link configuration is on or off.</p> <ul style="list-style-type: none"><li>• <b>ON</b> (default): The printer will attempt to automatically configure itself onto the network at the proper speed and communication mode.</li><li>• <b>OFF</b>: You must manually configure the link speed and communication mode using the front panel. Your settings must match those of the network for proper operation.</li></ul>

6. In case of doubt or misconfiguration of link settings, reset the network parameters to their factory settings. See [Reset network parameters on page 78](#).

## Communication failures between computer and printer


Some symptoms are:

- The front-panel display does not show the **Received jobs** message when you have sent jobs to the printer.
- Your computer displays an error message when you are trying to print.
- Your computer or printer hangs (stays idle), while communication is taking place.
- Print jobs get stuck in your computer's print spooler.
- Your printed output shows random or inexplicable errors (misplaced lines, partial graphics, and so on).


To solve a communication problem:

- Ensure that you have selected the correct printer when sending your job.
- Ensure that the printer works correctly when printing from other applications.
- If your printer is connected to your computer through any other intermediate devices, such as switch boxes, buffer boxes, cable adapters, or cable converters, try using it when connected directly to your computer.
- Try another network cable.
- Remember that very large prints may take some time to receive, process, and print.
- If your printer displays warning or error messages that require action, take the required action before trying to print.

## Cannot access the Embedded Web Server

1. If you have not done so already, read [Embedded Web Server on page 13](#).
2. Make sure that Embedded Web Server functionality is enabled in the printer: from the front panel, tap  , then **Security > Connectivity > Embedded Web Server (EWS) > On** .
3. Check the proxy configuration in your Web browser in case it is preventing communication with the printer.
4. Ensure that the printer works correctly when printing or accessed from other applications.
5. If the printer displays warning or error messages that require further action, take the action to resolve the problems.
6. If all else fails, turn the printer off and on again with the power key on the front panel.

## Cannot access the printer from the HP Utility

1. If you have not done so already, read [HP Utility on page 12](#).
2. Make sure your printer driver is available and working correctly for the HP DesignJet Utility in Windows.
3. From the front panel, tap  , then **Security > Web services > Printing & management**, and make sure that it is enabled. If it is disabled, some parts of the HP Utility may not work properly.

## Print jobs take too much time to be received by the printer

Very large prints may take some time to receive, process, and print. However, if there is an unusually long delay after sending print jobs to the printer until they appear in the front panel's job queue, there are various things you could check:

- Make sure the network cable connected to the printer is rated at least Cat5e.
- Make sure that gigabit-speed networking equipment and cabling interconnects your computer client to the printer.
- Make sure that there are no network link issues. See [Link troubleshooting on page 78](#).

- Take into account that, in network deployments with IPSec security protocols enabled and configured in the printer, network performance may be reduced due to the use of cryptographic algorithms to protect network communications.
- If you experience low-performance network issues when using tools such as HP SmartStream or third-party RIPs, check that the RIP printing service and high-speed printing ports 9101 and 9102 are enabled in **Embedded Web Server > Networking > Other settings > High-speed RIP mode > Enable high-speed mode**.
- Try resetting the network configuration to its factory settings in order to get default settings that are suitable for most standard network environments. See [Reset network parameters on page 78](#).
- You may also find it helpful to test connecting the computer to the printer directly, using a normal Ethernet (Cat5e or Cat6) cable point-to-point, without passing through an Ethernet switch or router. In this configuration, the printer and the computer should both automatically change their IPv4 addresses to the form 169.254.x.x . In this point-to-point configuration you can discard any issues caused by other network equipment.

---

## 5 Sending a job to print

There are various different ways in which you can choose to print, depending on your circumstances and preferences:


- From HP SmartStream: See the HP SmartStream documentation at <http://www.hp.com/go/smartstreampagewidex/manuals/>.
- From a printer driver: Print any kind of file from a computer connected to the printer by network, using a software application that can open the file, and a printer driver supplied with your printer. See [Print from the driver on page 83](#).
- From a USB flash drive: Print a file directly from a USB flash drive. See [Print from a USB flash drive on page 86](#).
- From a RIP: You can use a Raster Image Processor (RIP) program, run on a separate computer, to send jobs to the printer. RIP software is available from various different companies. See your RIP vendor's documentation.
- Print a file that is already in the job queue. See [Queue management on page 90](#).



## Print from the driver

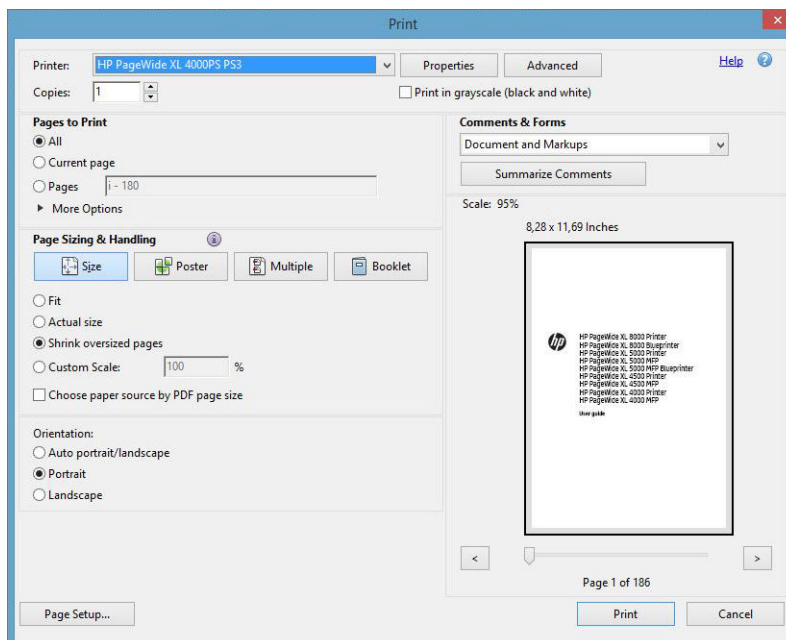
This is the traditional way of printing from a computer. The correct printer driver must be installed on the computer, and the computer must be connected to the printer by network.

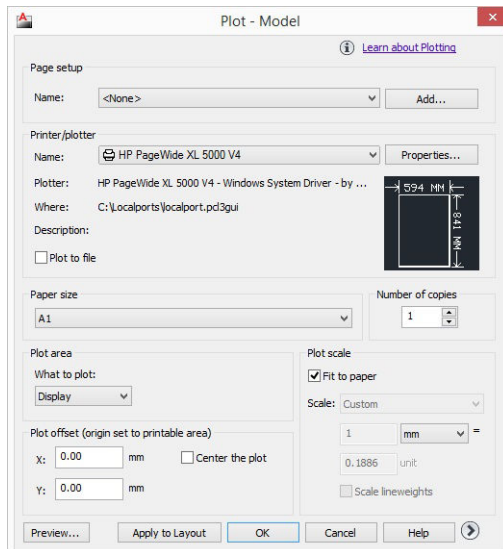
When the printer driver has been installed and the computer is connected to the printer, you can print from a software application by using the application's own **Print** command and selecting the correct printer.

 **NOTE:** When first printing, Windows automatically searches for the printer driver on the Internet (if the computer is connected to the Internet). This means that you do not need to search for the driver yourself. However, this process will install the driver without the rest of the software. Therefore, we recommend installation using the install package that you can download from HP's website <http://www.hp.com/go/pagewidexlseries/support/drivers>, so that all of the printer software is installed.

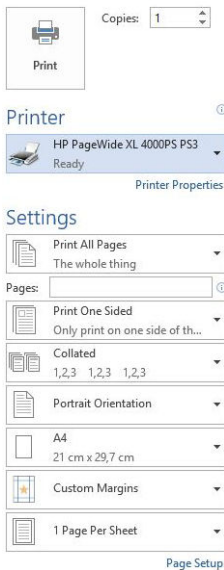
## Check and change main driver settings


There are a relatively large number of print settings that you can use when printing with a printer driver, to try to satisfy all requirements. When printing from an application, you can see the driver settings by clicking **File > Print** and then **Print options** or **Properties** (depending on the application).



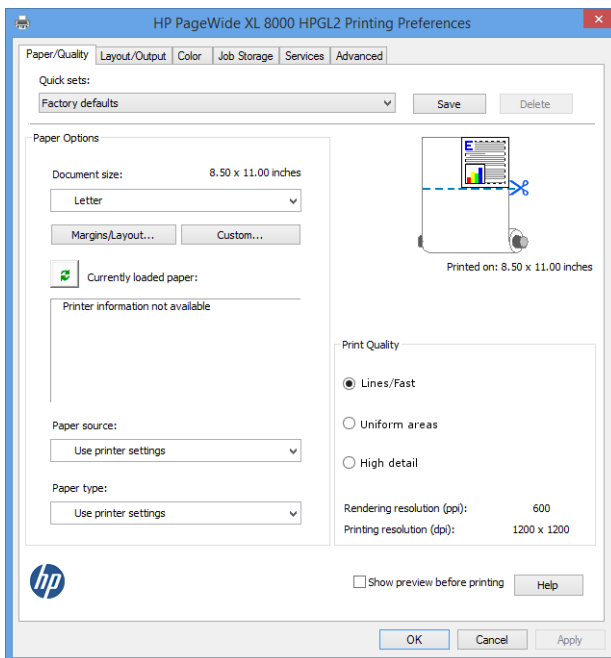


## Print

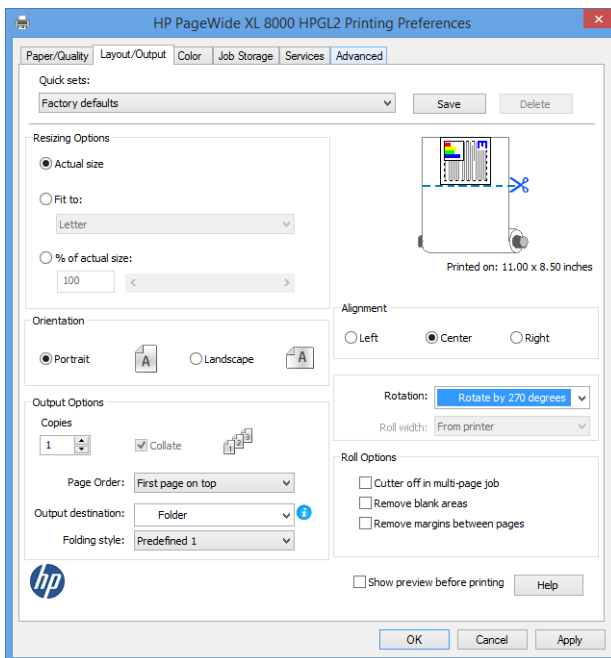


 **TIP:** In general you are recommended to use the default settings unless you know that they do not meet your requirements. The printer will apply its own policies regarding roll and paper to choose the most suitable for your job.

**TIP:** Windows only: If you intend to reuse a particular group of settings repeatedly, you can save those settings under a name of your own choice and recall them later. A saved group of settings is known as a *quickset*.



The printer drivers support any accessories such as a stacker or folder connected to your printer. The printer's default output is also the driver's default output. However, from the driver you can change the output destination and other options such as the folding style, collation, and first or last page on top.



## Job storage and PIN printing

Job storage allows jobs to be stored and then printed when required, it also provides features for setting print jobs as *private*, with a personal identification number (PIN). To access job storage features, open the printer properties, and then click **Printing Preferences**. Click the **Job Storage** tab, where the following job storage features are available:

- **Print and store:** After a job has printed, it is stored in the printer; more copies can then be printed from the front panel.
- **Print and delete:** Once printed, the job is automatically removed from the printer.

- **Retrieve from front panel (personal job):** Use the personal job printing feature to specify that a job cannot be printed until you release it from the printer's front panel.

To preview it in the Embedded Web Server, you will need to enter the PIN.

- **Retrieve from front panel (private job):** Use the private printing feature to specify that a job cannot be printed until you release it with a PIN. First, click **Retrieve from front panel (private job)**, after which the PIN to Print checkbox will be available. If checked, a 4-digit personal identification number must be set. The PIN is sent to the printer as part of the print job. After sending the print job, use the PIN to print the job. Once printed, it is automatically removed from the printer.

To preview it in the Embedded Web Server or in the front panel, you will need to enter the PIN.

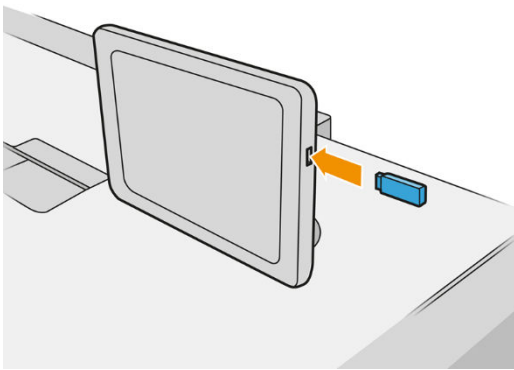
---

 **TIP:** Define a user name and a job name in the job storage tab for easy identification in the job queue.


---

## Print from a USB flash drive


1. Insert a USB flash drive containing one or more TIFF, JPEG, HP-GL/2, RTL, PDF, or PostScript files into the printer's USB port.



 **NOTE:** To print PDF or PostScript file, you must have a PostScript printer.

 **NOTE:** The use of USB flash drives with your printer may be disabled by the administrator.

---

2. At the front panel, go to the home screen and tap  .

You can tap folders to browse their contents. Files are shown as document thumbnails, and you can preview a file by tapping the preview icon. When the preview is displayed, you can zoom in and out. Files that cannot be printed are indicated with  .


3. Select a file to be printed. Multipage documents are supported only in PDF files; in this case, you can also select a page to print.
4. The list of print-from-USB quicksets is displayed. You can choose and/or edit one of the quicksets for the selected job.

The following settings are available:


- **Quickset name** allows you to name the quickset you are working with.
- **Output scale** allows you to resize the print in two different ways: to a percentage of its original size, or to fit a particular paper size. The default is 100% (its original size).
- **Print quality** allows you to set the print quality to **Lines/Fast**, **Uniform areas**, or **High detail**.

- **Color options** allows you to choose color or grayscale.
- **Paper source** allows you to specify printing on roll 1 or roll 2, or you can choose **Save paper**, which automatically chooses the narrowest roll on which the print will fit (if two rolls are loaded).




---

 **NOTE:** The printer setting **Roll width selection** has two values: **Print on same width only** and **Print on same width or wider**. When **Print on same width only** is selected, each page is printed only on a roll with the same width as the page.

---

- **Output destination** allows you to direct output to the stacker (the default) or the basket.
- **Page order** allows you to choose first page on top, or last page on top.
- **Collate** allows you to turn collation on or off.
- **Rotation** allows you to rotate the print by any multiple of 90°, or you can choose **Automatic**, which rotates the print automatically if that will save paper.
- **Printer margins** allows you to change the default printer margins.
- **Storage mode** offers two options, print and delete (the job is not retained in the job queue) and print and store (the job is retained in the job queue).
- **Folding style** allows you to select the folding style when the folder is installed. To use the folder, you must select **Folder** in the **Output destination** setting.
- **Cutter** allows you to disable cutting between copies or at the end of the job. You can change the default behavior by tapping , then **Job management** > **Cutter off**.
- **Alignment** allows you to decide the position of the image on the roll.

---

 **NOTE:** If you edit a quickset after selecting a job, the changed settings are applied only to the current job and are not saved permanently. You can change any of your own quicksets permanently by tapping  on the quicksets screen, or by tapping , then **Print, Scan & Copy quicksets** > **Print from USB quicksets**.


---

 **NOTE:** The factory quicksets cannot be modified.

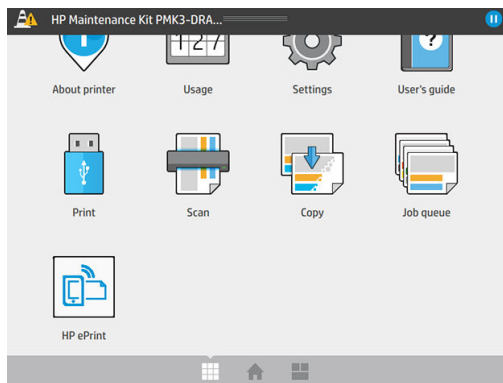
---

5. When you are satisfied with the quickset settings, tap **OK** to continue.
6. A screen with the following settings appears: **Copies**, **Page order**, and **Collate**. You can check and change them in this step, regardless of the settings in the quickset. Tap **Print** to continue.
7. After printing, you can choose to print another file or go to the job queue. If you print another file immediately without returning to the home screen, the temporary settings used for the previous file are used again.

## Print by email (HP ePrint)

This option is disabled by default, but can be enabled from the front panel by tapping , then **Connectivity** > **HP Connected** > **HP ePrint connectivity**. You can also configure HP ePrint from the front panel's HP Connected screen.

When enabled, the HP ePrint icon is added to the front panel as shown below:



You can find your printer's email address by tapping the new icon. If you want to change the address or restrict its use, you can do so from <http://www.hpconnected.com>.

In this way, you can print from anywhere with an Internet connection, without needing any printer driver. There are a few limitations that you should bear in mind:

- The attached files to be printed must be in PDF, JPEG, or TIFF formats.
- The maximum file size is 10 MB, but your email server may have a lower limit.
- Files are printed in the original document size (at 100% scale), in normal quality, in color, and normally in portrait orientation (some printers may offer autorotation).

## Select print quality

The printer has three print-quality modes which have been designed, as their names indicate, to match the specific needs of different kinds of images.

Although all print-quality modes are for 1-pass printing (in contrast to HP DesignJet printers), several parameters such as print speed, color strategy, and image processing have been optimized for each case.

Refer to the print-mode table and diagram below for guidance on selecting the most appropriate print mode for your purposes.

	If the image content is...	Recommended print mode	You will obtain...
A	Monochrome or color lines and text Any content if maximum productivity is needed	Lines/Fast	High-quality lines with maximum productivity
B	Large areas of uniform colors	Uniform areas	More uniform and saturated colors for long-distance viewing
C	Text or lines on top of color backgrounds Highly complex drawings with plenty of detail	High detail	Smooth background with fine detail in lines and text



**NOTE:** The intention of the Lines/Fast mode is twofold: it can be used for images with only lines and text, or for any kind of image when you need maximum productivity.




---

# 6 Queue management

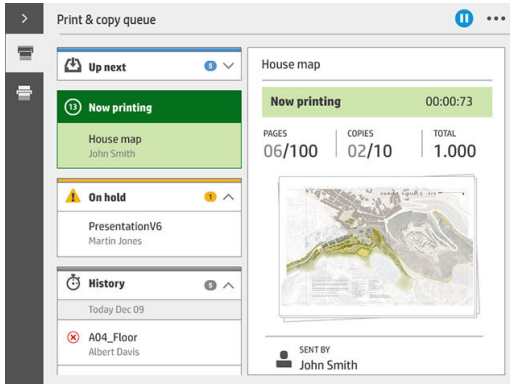
- [Job queue introduction](#)
- [Job queue actions](#)
- [Job queue options](#)
- [When to start printing](#)
- [Default printing preferences](#)
- [Job deletion](#)
- [Job queue in the Embedded Web Server](#)




# Job queue introduction

Tap  on the home screen to view the job queue on the front panel. You can also view the job queue in the Embedded Web Server: see [Job queue in the Embedded Web Server on page 96](#).

The print queue includes jobs that are being received, parsed, rendered, printed, already printed, and so on.



Tap  to show the toolbar. You can see all the job details by selecting the job, including information about status, pages, copies, total, and preview.

In an active queue, the job you are printing appears in the middle of the queue, with printed jobs below and jobs to be printed above. You can scroll up and down. Once scrolled, the queue remains static and does not move automatically.

Jobs in the left pane are divided into four categories (Up next, Now printing, On hold, and History) in chronological order starting from the top. On hold is shown only when there are one or more jobs on hold. Below the job name, you can see its status:

## Up next


- **Waiting to process:** The job has been received by the printer and is waiting to be rendered.
- **Processing:** The printer is parsing and rendering the job.
- **Waiting to print or Paused:** The job is processed and waiting for the print engine to be ready to proceed with printing.

## Now printing

The job is being printed.

- **Paused:** The job is paused.

---

 **NOTE:** Sometimes, while printing, you may see a **Self-servicing** status, which means that the printer is performing some task such as paper type change or print mode change between pages of the same job.

---

## On hold

The job will not be printed until you take some action. You should respond in one of the following ways:


- **On hold: Private job:** Enter the PIN required to print the job. The job will be deleted from the queue after printing.
- **On hold: Personal job:** The job is not automatically printed: you must select it from the queue. No details can be seen.

- **On hold to preview:** The job is not automatically printed: you must select it from the queue.
- **On hold for paper mismatch:** Load the paper required by the job.
- **On hold for output mismatch:** Enable or change the output required by the job.
- **On hold for accounting:** Enter an account ID to be used for the job.
- **On hold: Recovered job:** After a printer recovery, some jobs that were not printed are kept on hold.
- **On hold for supplies:** The printer needs paper, ink cartridge, printhead, cleaning container, or maintenance cartridge to be replaced.



## History

- **Printed:** In chronological order, divided into today, yesterday, last week, and so on.
- **Canceled:** Canceled by the user.
- **Failed:** The job has failed for one or more reasons.

## Job queue actions

Some of the actions in the job queue are determined by the settings selected. Some default settings may be worth changing, depending on your environment. To do so, tap  in the home screen, then **Job management**. Alternatively, in the job queue app, tap the ... button on the top right, then **Settings**.

## Pause the job queue

You can pause the job queue by tapping  and resume by tapping . The pause takes effect at the end of the page that is currently printing.

## Reprint

In the History section, select the job you want to reprint and tap **Reprint**. In the next screen you can select the number of copies, collated or not, page order, source, and destination.


## Print next

If you want to upgrade a job in the queue to be printed immediately after the currently printing job, select the desired job and tap the **Print next** button.

## Print now

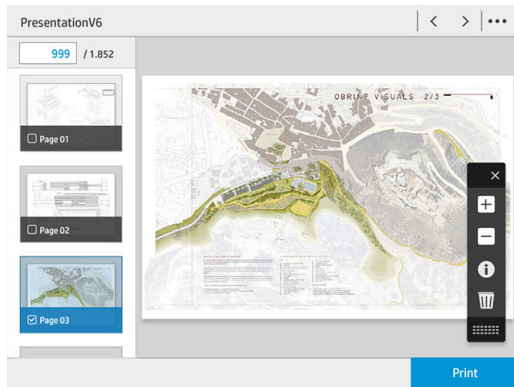
If you want to upgrade a job in the queue to be printed immediately, interrupting the currently printing job, select the desired job and tap the **Print now** button.



**NOTE:** To enable this action, tap  in the home screen, then **Job management** and activate **Enable print now**.

## See job details

Tap the name of the job to show its details in the right pane, including information about status, pages, copies, total, and preview. Scroll down as necessary to see all of the information.



By tapping the thumbnail, you can navigate over all pages of the job. Use the ... to show or hide the toolbar. From there you can zoom in and out and see more information about each page.



## Roll policies

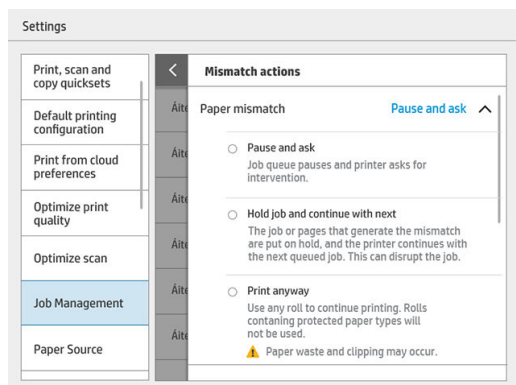
If two rolls are loaded, both of which are suitable for the job, the roll is chosen according to your preferences.

- **Increase productivity:** To increase the productivity of the printer.
  - **Job autorotation:** The printer can rotate a job automatically in order to save paper.
- **Automatic roll selection:** When the job arrives with the roll not defined, the printer selects the rolls according to the following settings.
  - **Roll width selection:** The printer can be more or less restrictive when selecting the roll width on which to print. You can select to print on the same width only (each page prints on a roll with same width as the page) or to print on the same width or wider (each page prints on roll with same width as the page or wider).
  - **Avoid printing on a wider roll:** Avoid switching to a wider roll when the defined rolls are depleted. Only applies when **Roll width selection** is **Print on same width or wider**.
  - **Use most depleted roll:** When there are two or more rolls with the same paper type and width, the roll selected is the roll with less paper.
  - **Paper type protection:** You can avoid printing accidentally on special paper types by protecting them. Protected types are eligible for printing only when paper type or roll are specified in the job.

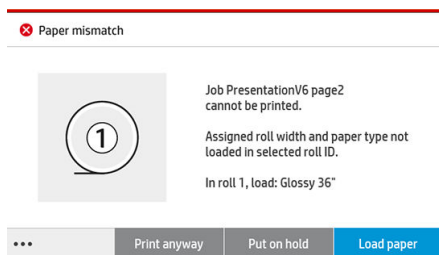
## Solve paper mismatch

If the paper currently loaded in the printer is not suitable for a particular job or page, the printer can automatically solve the conflict or give a number of choices depending on the printer policies. Such a conflict may be caused by a job sent to the printer with no specific roll or paper type assigned to it, or by a roll coming to its

end during printing. The following options are available in the paper mismatch settings menu; you can reach this menu from the job queue by tapping , then **Mismatch actions**; or by tapping , then **Job management** > **Mismatch actions**.





- **Pause and ask** (the most restrictive option): Printing stops until the correct paper is loaded. This option is recommended when the printer is attended. A message appears, asking what you want to do: cancel the job, print anyway, put on hold, or load paper. These options are also available in the job queue.



- **Hold job and continue with next**: Put mismatched jobs on hold until the correct paper is loaded, and continue printing the rest of the job queue. The printer sends an alert whenever a job is put on hold. This option is recommended when the printer is unattended, even though the integrity of a job may be disrupted, to avoid stopping the queue. Once the paper required for the job is loaded, the job or pages are automatically resumed.
- **Print anyway** (the least restrictive option): Print on whatever paper is loaded. The printer will choose the roll to print according to the following criteria: first where the page fits and then the same paper type. This option will never select a paper type that has been protected.

## Solve output mismatch

The selected output for a particular job is not available for some reason: output disconnected, detached, full, not empty for a job that requires it to be empty, size/type/length not supported by that output, or folder is offline. The following options are available in the paper mismatch settings menu; you can reach this menu from the job queue by tapping , then **Mismatch actions**; or by tapping , then **Job management** > **Mismatch actions**.


- **Put jobs on hold**: Put mismatched jobs on hold until the correct output is available, and continue printing the rest of the job queue. The printer sends an alert whenever a job is put on hold. This option is recommended when the printer is unattended, to avoid stopping the queue.
- **Pause job queue and ask**: Printing stops until the correct output is available. This option is recommended when the printer is attended. A message will appear asking what you want to do: cancel the job, print anyway, put on hold, or load paper.

## Job queue options

To change the job queue options, tap , then **Job management** > **Job queue**.

You can select the maximum number of printed jobs to have in the queue, when to delete printed jobs, and whether to delete jobs on hold after a specified time.


## When to start printing

You can choose whether the printer starts printing after all pages of a job have been rendered, or earlier, while some pages are still being rendered. To change this option, tap , then **Job management** > **When to start printing**.

If you select **Print after processing**, the printer starts printing after all pages of the job have been rendered by the printer's internal processor. The printer will take more time to start printing but is less likely to pause while printing. This is the recommended setting when:

- You are using HP SmartStream to submit jobs
- Your job contains pages of high complexity
- Your job has multiple collated copies
- The printer queue contains multiple jobs
- You are sending a multipage or multicopy job with the cutter disabled (**Cutter off in multi-page job**)

---


 **NOTE:** Even if you select **Print after processing**, the printer may pause during a job if it is very long or contains pages of high density.

---

If you select **Optimized printing mode**, the printer starts printing before all pages have been rendered. The printer will take less time to start printing but is more likely to pause while printing. This is the recommended setting when your job contains many pages and you want to receive the first pages as soon as possible. This option may increase overall printing speed if:


- Your jobs contain pages of low or medium complexity
- Your jobs have multiple non-collated copies of every page

---

 **NOTE:** When a page has been printed once, that means that it has been fully rendered, so further copies of the same page can be printed without pauses for rendering.

---

---

 **NOTE:** Even if you select **Optimized printing mode**, the printer may wait until all pages have been rendered in the following cases:


- You have asked the printer to print **First page on top**
  - You submitted the job from an HP printer driver or from some RIPs
  - You are printing by direct copy
-

If you are printing while scanning (in copy mode), and want to start printing before all pages are scanned, select the following options:

- **Optimized print mode**
- **Collate off**
- **First page on top** if using the top stacker, otherwise **Last page on top**.


Remember to tap **Finish** in the scanner menu to close the scan session.

## Default printing preferences

At the front panel, tap , then **Default Printing configuration** to define the default properties of jobs sent to your printer from remote locations.

You can define settings in the following areas: Print quality, Color, Paper, Margins, HP-GL/2, PostScript, Print retrieval.

---

 **NOTE:** In the paper options you can define settings such as the default size and rotation. This kind of setting can be modified for each job by driver, HP SmartStream, quickset, and so on. But the mirror option is not available in HP SmartStream or quickset; so, if it is activated, all jobs printed by any path, except from the printer driver, will be affected.

If the print is mirrored, check the status of this setting: **Default printing configuration > Paper option > Mirror image**.

---

## Job deletion

If the printer runs out of storage space for new jobs, the oldest printed jobs are automatically deleted from the queue.

You can request that printed jobs should be automatically deleted from the queue when the total number of printed jobs exceeds a specified limit (the maximum number in the history setting), or when the jobs were printed more than a specified time ago (clear history settings).

To delete jobs on hold, the setting **Delete jobs on hold** allows you to define the time after which these jobs will be removed (2–48 h).

To delete a job manually, select the job and tap **Delete** in the footer. To delete all jobs, tap **Delete all jobs** in the ... menu; the whole job queue will be deleted.

The delete option deletes the job from the queue, while the cancel option cancels the job but leaves it in the queue, marked as **Canceled by the user** in the history category.

To cancel a job, tap the job name on the list and then tap **Cancel job** at the bottom right. If you are not in the job queue screen, you can cancel a job while printing by tapping **X**.

---

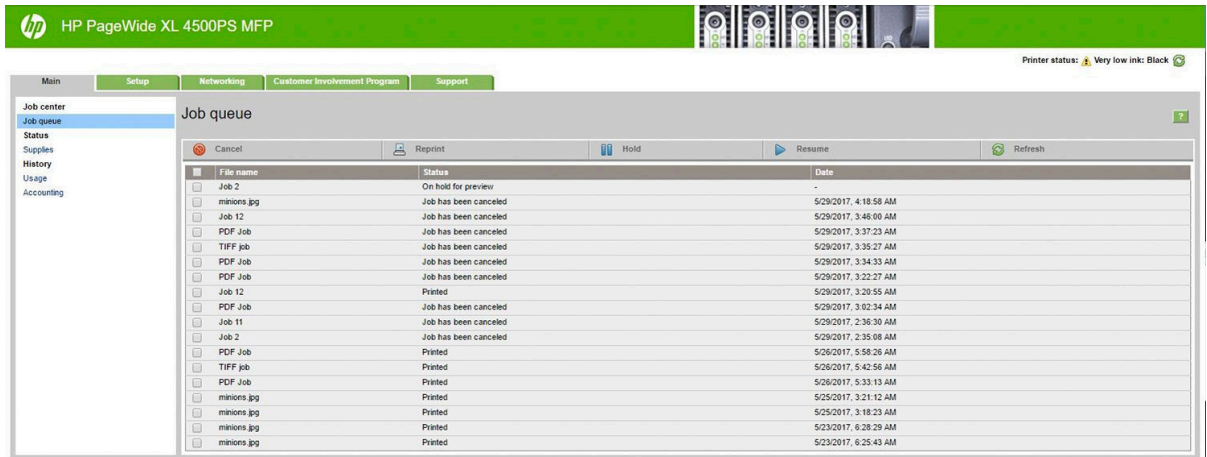
 **NOTE:** If you tap **X**, you cancel the currently printing job only.

---

# Job queue in the Embedded Web Server


You can access the Embedded Web Server from any computer with an Internet connection, by entering the IP address of the printer in your Web browser; the job queue is shown by default in the first window that appears.


The Embedded Web Server can show up to 32 jobs. The filename, status, and time of creation are shown for each job; there is no job preview.



## Available functions


- **Cancel:** Cancel a job, even if it is already printing.
- **Reprint:** Reprint a job, with the same settings as before, except that you can change the number of copies.
- **Hold:** Put on hold a job that was sent to print.
- **Resume:** Release for printing a job that was previously put on hold.
- **Refresh:** Update the list of jobs (it does not update automatically).

 **NOTE:** If the admin account has been activated, you can see the job queue but you must give the password to perform any of these functions.

 **TIP:** If the job queue does not appear, you may need to clear the browser cache.

---

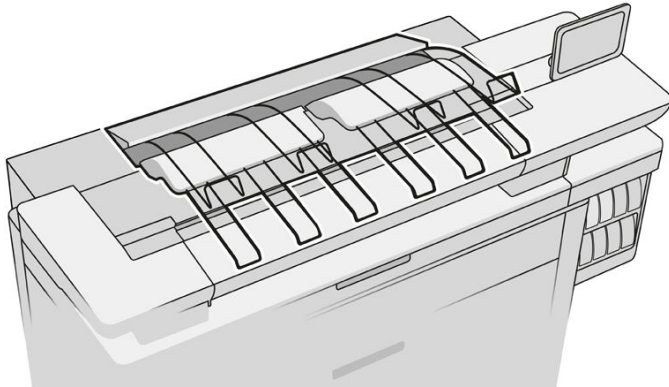
## 7 Collection and finishing

If you choose no specific job destination, prints are sent to the default output destination, which can be changed from the front panel. From the home screen, tap , then **Output destination**.

- [Top stacker](#)
- [High-capacity stacker](#)
- [HP folders](#)
- [Basket](#)



## Top stacker



The top stacker is available as an accessory.

It can accommodate up to 100 sheets of paper, depending on the paper type and size.

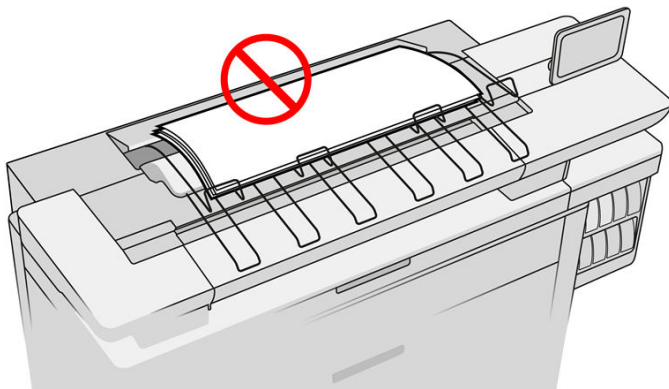
When stacking Natural Tracing Paper, use the supports attached to the top stacker (not recommended for other paper types).

By default, the printer cuts the paper after every printed page, and the resulting sheets of paper are neatly stacked by the stacker.


If you send pages longer than 1.2 m (4 ft) to the stacker, you are recommended to stand by the stacker to prevent the prints from falling on the floor.

You can retrieve part of the stacker pile by waiting until the current job finishes, or by pausing the current job.

After retrieving sheets from the stacker, do not return them to the stacker or put them on top of the stacker, which can cause a paper jam.




To use the stacker, select it as follows before sending the job to print:

- Front panel: Tap , then **Output destination** > **Top stacker**.
- Printer driver: Go to the printer properties, select the **Layout/Output** tab, and change the output destination to **Top stacker**.
- HP SmartStream: Set the destination to **Top stacker**, in the job preparation pane or in the settings pane.

The printed job is automatically collected by the top stacker. Wait until the job has finished, then collect the output.

---


 **NOTE:** During normal use, you do not need to do anything with the stacker except to remove the stack of printed paper. Occasionally you will need to open the top cover to access the printheads for replacement (see [Replace printheads on page 61](#)), and you may need to take action to clear a paper jam (see [Paper jam in the top stacker on page 46](#)).

---

### Stacker status in the front panel

- **Ready:** Ready to receive prints.
- **Error:** Hardware malfunction, paper jam, and so on. Jobs are put on hold or paused for output, depending on the policy selected.
- **Open:** The rear arm, the front tray, or the cleanout is open (you should close whichever is open). Jobs are put on hold or paused for output, depending on the policy selected.
- **Full:** The stacker is full. Jobs are put on hold or paused for output, depending on the policy selected.

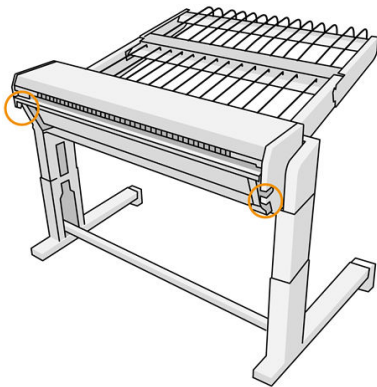
---

 **NOTE:** Some types of paper, such as curled paper, can cause jams in the stacker. For that reason, the stacker may report itself as full when stacking pages coming from the end of a roll.

---

- **Collection required:** To avoid problems due to the characteristics of some papers, in some cases you may need to collect printed jobs to continue printing.

## High-capacity stacker



The high-capacity stacker is available as an accessory.

By default, the printer cuts the paper after every printed page, and the resulting sheets of paper are neatly stacked by the stacker.

The stacker can accommodate 500 plain paper sheets of A1 or A0 size at 80 g/m<sup>2</sup>. Its capacity for different paper types or sizes may be lower, depending on density and weight. It can handle all paper types accepted by the printer.


The accessory roof should be horizontal, unless you are printing on natural tracing paper, in which case you should put the roof into its vertical position.

Printed pages are stacked face up and in reverse order with respect to the order of the pages in the document sent (if multipage). To change this order, use the setting **First page on top** in the submission software.

If the printer is printing at full speed, it will take about 20 minutes for the stacker to fill up with paper. You can pause the job queue from the job queue application, if you want to collect part of the job before it finishes.


If you send pages longer than 1.5 m (5 ft) to the stacker, you are recommended to stand by the stacker to prevent the prints from falling on the floor.

---


 **IMPORTANT:** The stacker will not work unless it is connected to the printer.

---

1. To use the stacker, select it as follows when sending the job to print:

- Front panel: Tap , then **Output destination > High-capacity stacker**.
- Printer driver: Go to the printer properties, select the **Layout/Output** tab, and change the output destination to **High-capacity stacker**.
- HP SmartStream: Set the destination to **High-capacity stacker**, in the job preparation pane or in the settings pane.

---

 **TIP:** Enable **Separator** in the HP SmartStream job options to print a separator page between jobs.

---

2. The printed job is automatically collected by the stacker. Go to the rear of the printer, wait until the job has finished, and collect the output.

---

 **TIP:** You are recommended to pause the job queue if you want to retrieve part of a job from the stacker.

---


### Status in the front panel

- **Ready:** You can use the stacker.
- **Full:** Unload the stacker before sending more jobs.
- **Paper jam:** Follow front-panel instructions to clear the jam.
- **Error**

Follow the instructions on the front panel to fix the error. If the problem persists, contact your support representative.

If you have a high-capacity stacker output error, you can uninstall the stacker (at the front panel, tap the paper app, then **Output > Settings > Uninstall**) and continue printing to another destination. Otherwise, you cannot continue printing to any destination until the error is solved.

---

 **NOTE:** If you later reconnect the stacker without having changed it, the complete install process is not needed.

---

- **Detached. Stacker is offline.**

You may sometimes separate the stacker from the printer to clear paper jams in the printer. In that case, the front panel warns you that the stacker is separated, the printer puts all jobs on hold, and displays the message **Output is now detached from printer. Please reposition**. You cannot print until the stacker is mechanically reconnected.

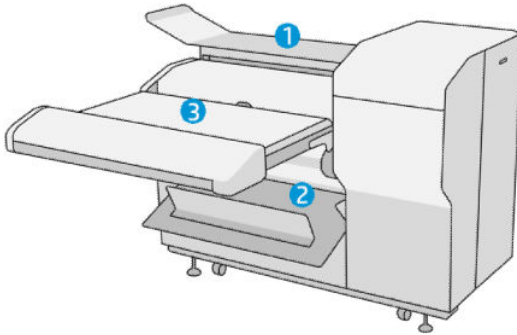
## HP folders

### HP F60, HP F70, and HP PageWide Folders

The HP folders fold printed sheets of paper, managing the printed sheet from end to end. They support roll sizes up to 36 in (914 mm) wide, with multiple folding styles, and can handle paper weights from 75 to 90 g/m<sup>2</sup>.


You can choose the cross-fold or fan-fold tray; or, if you do not want to fold the sheets, you can choose to stack them in the no-fold tray.


1. The **cross-fold tray** collects folded pages. The tray holds up to 150 A0 folded sheets. They may be up to 914 mm (36 in) wide and up to 2.5 m (98 in) long. Longer sheets are not transported into the cross-folder but deployed fan-folded in the catch tray under the no-fold tray.
2. The **fan-fold tray** holds five to ten long pages. The tray can handle all sheet sizes from 210 mm (8.5 in) to 6 m (19.6 ft) long (80 g/m<sup>2</sup> paper), or longer with an extra-length license (an option), and width up to 914 mm (36 in). Long sheets are deployed fan-folded in the catch tray under the no-fold tray.
3. The **no-fold tray** is used for stacking unfolded pages, up to around 10 sheets. It can handle A1 landscape or A0 sheets; maximum width 914 mm (36 in). Prints that should not be folded will be deployed onto the top of the no-fold tray.



## Submitting a job to the folder

 **NOTE:** While the folder is installed, it is the printer's default output device. If you submit a job without specifying a folding style, the default style is applied. You can tap  to change the folder settings or default folding styles.

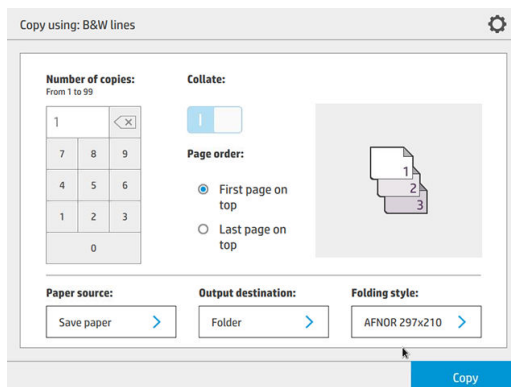
 **NOTE:** If you want to stack jobs in the folder without folding them, select **Not folded** as the folding style.

 **NOTE:** In most cases the title block (legend) should be on the leading edge of the document entering the folder. The title block position has to be set in the printing software you are using (by rotation if necessary).


To use the folder, select it as follows when sending the job to print:

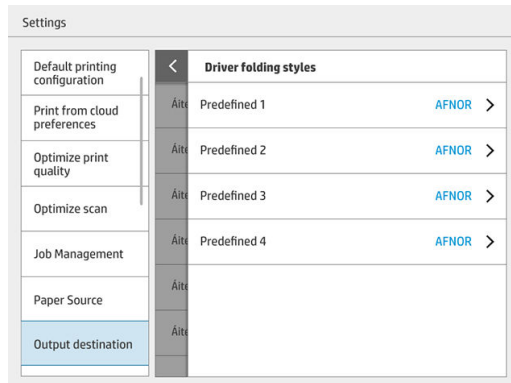
- **Front panel:** Tap , then **Output destination** > **Folder**.

When printing from a USB flash drive, or copying, you will be able to select the folder as the output destination and select the folding style.

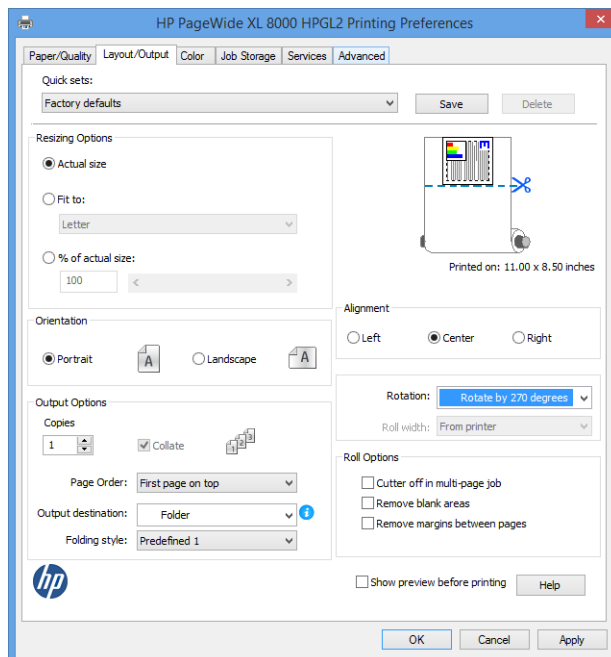


- **Printer driver:** Go to the printer properties, select the **Layout/Output** tab, and change the output destination to **Folder**.

The first time you use the folder, you must specify the folding styles that you expect to use. To do that, go to the front panel and tap , then **Output destination** > **Printing from driver**; from there you can assign one folding style to each predefine.



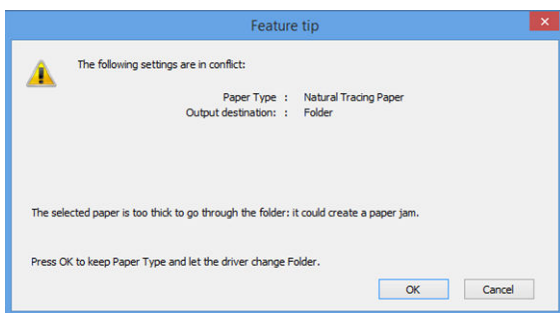
Then, in the printing dialog, you will be able to select each predefine or the default.



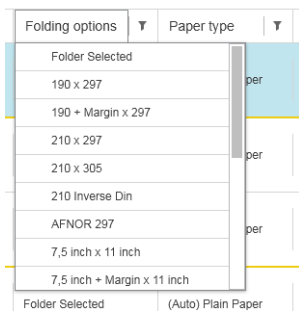
Recommended settings for folding jobs:

- **Clip content by margin:** To avoid printing in the margins and fold properly. From the **Paper/Quality** tab, click **Margins/Layout** > **Clip content by margin**.
- **Right-alignment:** To ensure that the block title is in the correct position when folding. Select this in the **Layout/Output** tab.
- **Portrait orientation:** Select this in the **Layout/Output** tab.

There are some paper types that are not supported by the folder. You will see a warning if you try to send such a paper type to the folder.

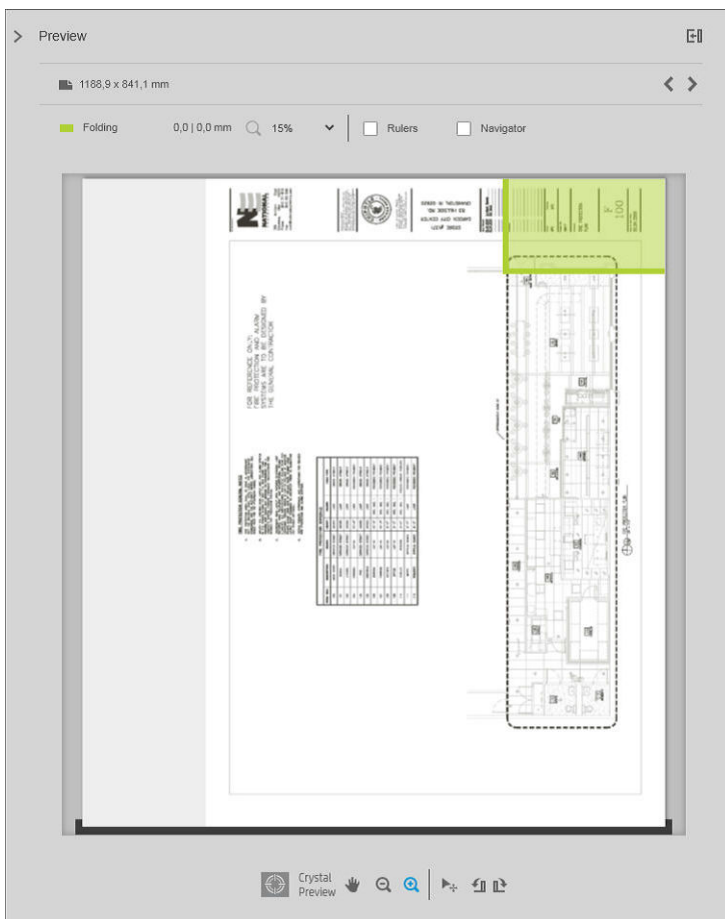


- **HP SmartStream:** Set the destination to **Folder**, in the job preparation pane or in the settings pane. You can also select the folding style.



You can specify in the application preferences whether you want to see the dimensions of the folded paper indicated in green in the preview.

**NOTE:** The folded dimensions are not shown if they are unknown at this point.



The green rectangle in the preview indicates which part of the page will be on top after folding. If the page contains some header or summary information describing its contents, you may want to ensure that this is in the green rectangle, so that it will be easily visible once the page has been folded. To move the contents of the page, you can use the rotation, alignment, and/or margins options (among the paper source options in the settings pane).

The following steps are recommended to check that the required content is in the green rectangle, and to adjust the page if necessary:

1. Set the default alignment between pages and roll in the preferences so that the page is placed on the correct side of the roll. You need to do this only once.
2. Select the first page of the job to see it in the preview.
3. Zoom in on the green rectangle. You may want to maximize the preview.
4. If required, use the **E** key on the keyboard to rotate the page 90° counterclockwise or the **R** key to rotate 90° clockwise.
5. Use the down-arrow navigation key to select and preview the next page.

## Folder status

- **Starting:** The folder is initializing and not yet ready.
- **Ready:** The folder is ready to receive jobs, waiting for jobs, or receiving jobs.
- **Full:** The cross-fold or no-fold tray has reached its full capacity. The printer finishes the current page, then stops printing.
- **Error.** In these cases, all jobs are put on hold for output.
  - **Paper jam**
  - **Cover open**
  - **Folder not attached**
  - **Communication error** (the cable is connected but there is no communication)
  - **Tab applicator empty** (if a job is to be folded with tabs)
- **Offline folding active**
- **Disconnected** (the cable is not connected)

## Folder status LED

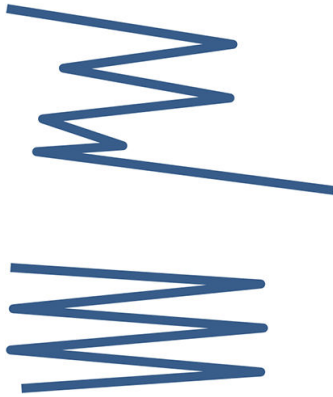
- White: Ready
- White blinking: Working
- White/yellow blinking: Out of tabs
- Red: Error, needs attention (may be full)

## Folding styles

The folder can fold pages in two different ways:

- Fan fold, in which folds are perpendicular to the printing direction
- Cross fold, in which folds are parallel to the printing direction

Folding styles are usually based on DIN B or DIN C style:



### DIN B

The top and bottom folds are always on opposite sides. If this is what you want, select a folding style below marked with an asterisk, as these are the ones based on DIN B style. All folding styles that include a filing option (tab or filing margin) need to follow that configuration. It requires compensation folds in many formats since the last page's end needs to be in a certain position for the filing option (hanging strip/filing margin). As those packets have more, unevenly distributed, folds, they tend to be thicker on one side making them topple over when you pile them up. Furthermore, the stack gets bigger.

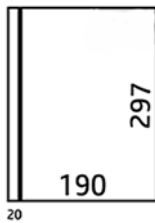
### DIN C

The top and bottom folds are not necessarily on opposite sides. There are no compensation folds, which means that you are getting a thinner and more even stack when plotting a lot of prints and keeping them in one stack, either in plastic jackets or in envelopes/ folders.

## DIN

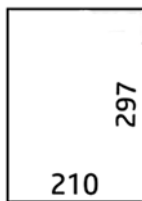
- DIN A 190+20 × 297 mm (with binding edge)\*

190 mm width, 20 mm margin, 297 mm height



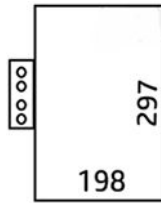
- DIN B 210 × 297 mm (back panel covered)\*

210 mm width, 297 mm height

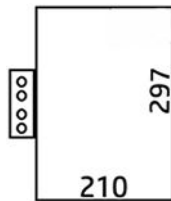




- DIN B 198 × 297 mm TAB\*  
198 mm width, 297 mm height, with tabs



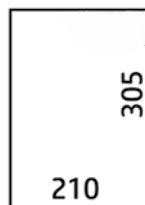
- DIN B 210 × 297 mm TAB\*  
210 mm width, 297 mm height, with tabs



- DIN C 210 × 297 mm (compact fold)  
210 mm width, 297 mm height



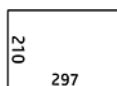
- DIN B 210 × 305 mm\*  
210 mm width, 305 mm height



**AFNOR (HP F60, HP F70, and HP PageWide XL folders only)**

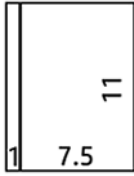
For AFNOR style, use DIN format rolls. Jobs should be submitted as A0 portrait, A1 landscape, or A3 landscape.

- AFNOR (297 × 210 mm)  
297 mm width, 210 mm height

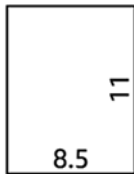


## ANSI

- ANSI 7.5 + 1 × 11 in  
7.5 in width, 1 in margin, 11 in height



- ANSI 8.5 × 11 in  
8.5 in width, 11 in height

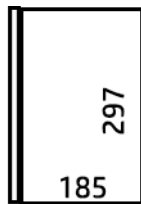


## Fan fold only

- Fan fold only (210 mm)
- Fan fold only 9 in

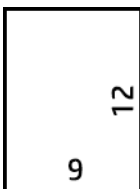
## Others

- 185 + 25 × 297 mm (with binding edge)  
180 mm width, 25 mm margin, 297 mm height



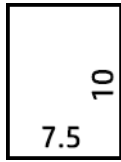
20

- ARCH 9 × 12 in  
9 in width, 12 in height



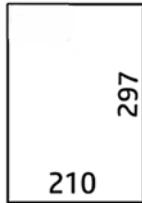
- Mailer 7.5 × 10 in

7.5 in width, 10 in height



- Inverse DIN (210 × 297 mm)


210 mm width, 297 mm height



The title block will be shown as follows when unfolded:



For the full list, see the front-panel menu at the default **Folding style** selection.

 **TIP:** The folder tries to compensate automatically if the sheet width is exceeded. If the compensation is not successful, try choosing the DIN B 210 × 305 mm folding style.

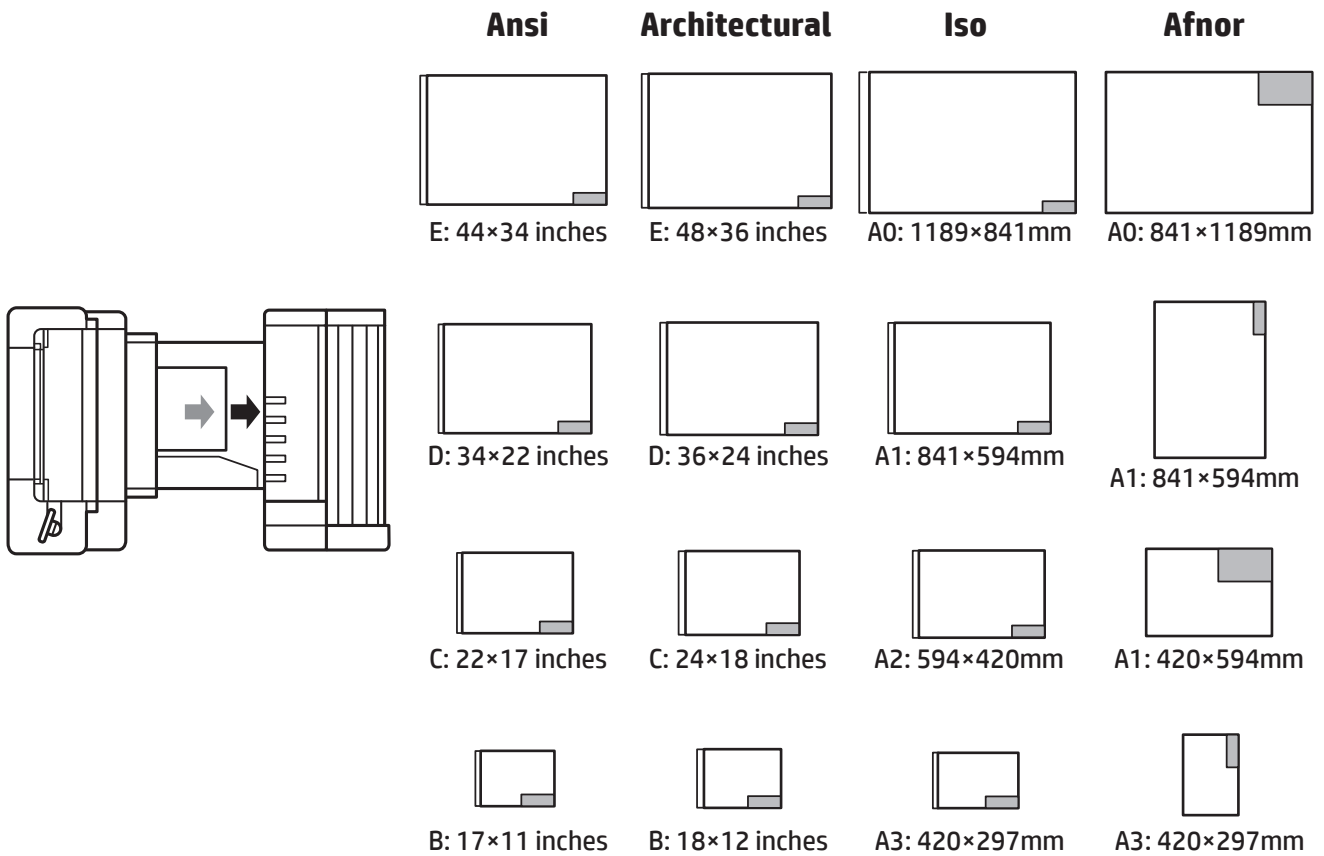
There are other functionalities available for purchase. For more information, contact your support representative.

## Tab applicator (HP F60, HP F70, and HP PageWide XL folders only)

- When available, a folding style with tab application can be selected from HP SmartStream, the printer driver, USB flash drive, or Copy.
- During installation or replacement, you are asked how many tabs are in the roll. See [Replace the folder's tab reel on page 122](#).
- The message **Folder out of tabs** is displayed when the folder runs out of tabs, and jobs with tab are put on hold.

## Block title

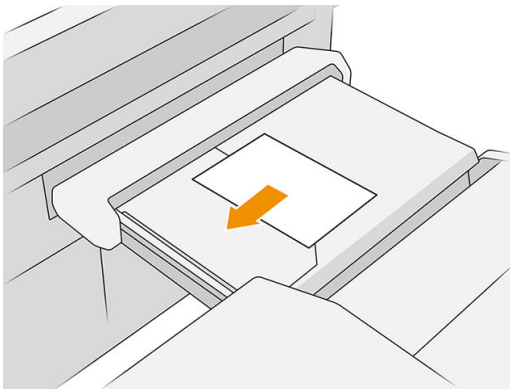
The diagram below shows where the block title should be placed according to page size, folding style, and printing direction.



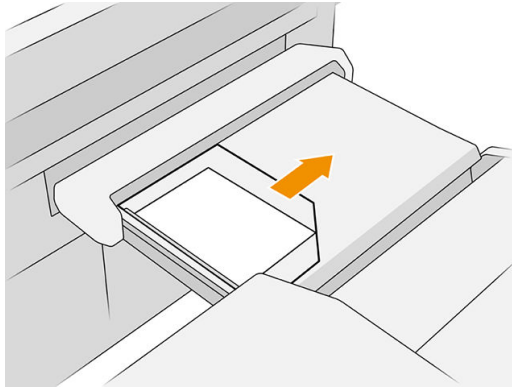
## Offline folding (HP F60, HP F70, and HP PageWide XL folders only)

Offline folding means that you provide the printed sheets to the folder manually: they do not come directly from the printer. The default folding style is used.

1. In the Output menu, tap **Offline fold**. The job queue is automatically paused.
2. Empty the no-fold tray if there are any jobs stacked there.
3. Insert the first sheet face down, with the title block leading.



4. Move the tray to the center. The insertion rail on the table can be slid into the best position for the document you are inserting.



5. Go to the job queue and release it.

## Troubleshooting

- **Jams:** If a paper jam is detected, the front panel will notify you. See [Paper jam on page 40](#).
- **Calibration:** If you notice that folded jobs are not well aligned on the folding edge, or there is more skew than expected, the folder may not be calibrated. Contact your support representative.
- **Communication problems:** If the printer does not recognize the folder, try to switch off the printer and folder. Disconnect the communication cable, make sure the bridge is attached, then start both printer and folder separately. Once both systems are up and ready (the folder LED should be blue), connect the communication cable and wait for the folder to switch to online (the folder LED should be white). If the problem persists, contact your support representative.

## How to improve productivity

- Use portrait orientation.
- Use DIN or AFNOR folding styles for metric rolls (A0, A1, A2, A3, and A4).
- Use ANSI folding styles for imperial rolls (36 in, 24 in).

## Basket

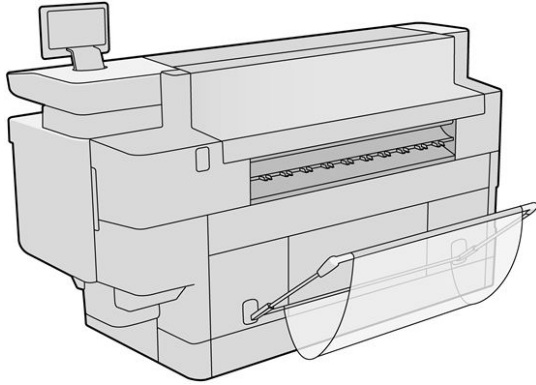
The basket serves as a secondary output path, mainly collecting waste and pages that cannot be sent to other destinations.

You can use the basket, for example, if other destinations are full, or if you want to separate a job from others.

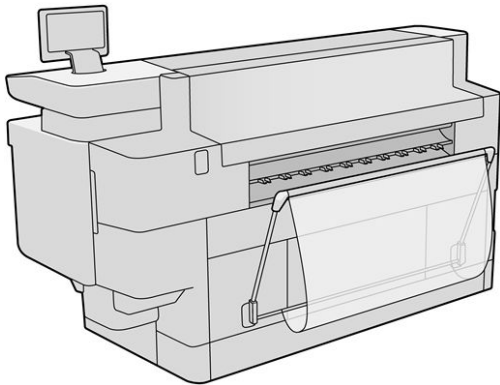
After sending a print of A0/E size or greater to the basket, you must collect the print in order to continue printing.

If you send long pages to the basket, you are recommended to stand by the printer to prevent the prints from falling on the floor or causing jams.


The illustration below shows the basket ready for use.



The illustration below shows the basket closed, permitting easier access to the printer (to clear printer jams, for example).



---

 **NOTE:** If the basket is the selected output device, do not try to print with the basket closed.

---

---

## 8 Print quality

- [General printing advice](#)
- [Optimize print quality app](#)
- [Print diagnostic plot](#)
- [Advanced options](#)
- [Enhanced printhead recovery](#)
- [Page length accuracy](#)
- [Manual printhead alignment](#)

## General printing advice

When you have any print-quality problem:

- To achieve the best performance from your printer, use only genuine manufacturer's supplies and accessories, whose reliability and performance have been thoroughly tested to give trouble-free performance and best-quality prints.
- Make sure that the paper type selected in the front panel is the same as the paper type loaded into the printer. At the same time, check that the paper type has been calibrated. Also make sure that the paper type selected in your software is the same as the paper type loaded into the printer.

---

**⚠ CAUTION:** If you have the wrong paper type selected, you could experience poor print quality and incorrect colors, and perhaps even damage to the printhead.

---

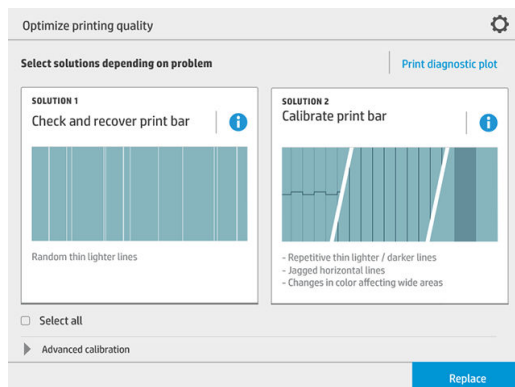
- Check that you are using the most appropriate print-quality settings for your purposes (see [Select print quality on page 88](#)).
- Check that your environmental conditions (temperature, humidity) are in the recommended range for printer and paper.
- Check that your ink cartridges have not passed their expiration dates and are in good condition.
- Check the printhead status.
- If you have any pending calibration for a paper type, tap **Calibrate Print Bar**.

If you still experience print-quality problems, you can follow a more hands-on print-quality troubleshooting procedure, by printing, interpreting, and performing corrective actions as follows.



## Optimize print quality app

Go to the optimize print quality app in the front panel to see the different options available.



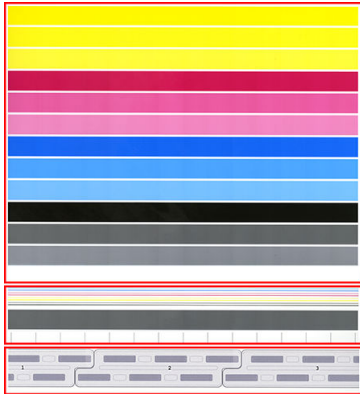


## Print diagnostic plot

Tap the **Print diagnostic plot** button to identify the problems you may have.

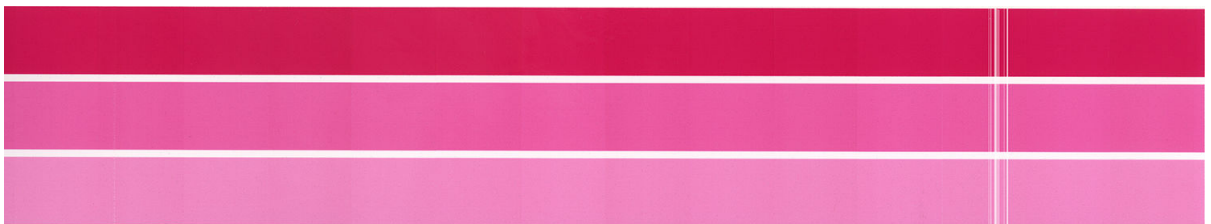
Use the same paper type that you were using when you detected a problem, and check that the selected paper type is the same as the paper loaded into the printer.

The print is divided into three parts. The top part is about print-bar and color calibration problems, the center is about alignment problems, and the bottom part is an illustration of the printhead positions that can be used as a reference.



## Check and recover print bar

If you detect problems in the top part of the plot, where there are random (not regular) lighter, very thin lines, some printheads may need cleaning. Tap **Check and recover print bar**.

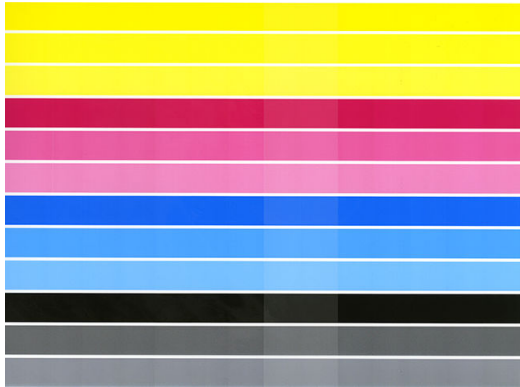


The time required depends on the number of printheads to be cleaned. Once they have been cleaned, reprint the diagnostic plot to check that the problem has been solved. Allow 10 minutes per printhead.

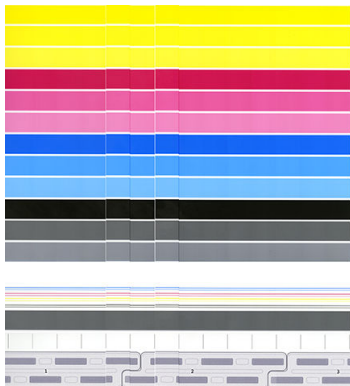
If the problem persists, check in the diagnostic plot for which printhead the defects appear. You can identify which printhead has the problem from the numbered printhead image on the bottom of the top part. To clean only that printhead, tap **Enhanced printhead recovery** (see [Enhanced printhead recovery on page 118](#)).

## Calibrate print bar

Color variation in the bands in the top part of the plot indicates a possible problem in the color calibration.



The central part of the plot indicates whether the print bar is correctly calibrated. The vertical lines indicate the boundaries of the different print elements within a printhead (die boundaries). In the horizontal gray band, no repetitive white lines or dark lines should be seen above the die boundaries. The horizontal lines of different colors should be continuous and not broken or jagged at the die boundaries; if this occurs, a printhead alignment is required.




If you see defects, you should calibrate the printer by tapping **Calibrate print bar** in the optimize print quality app. You should also calibrate the printer if you are warned that a roll has a calibration pending status.

Print-bar calibration includes printhead alignment and color calibration.

You can check what calibrations have been done in the past by tapping the **Calibration history** button; and you can restore the original factory calibrations at any time.

---

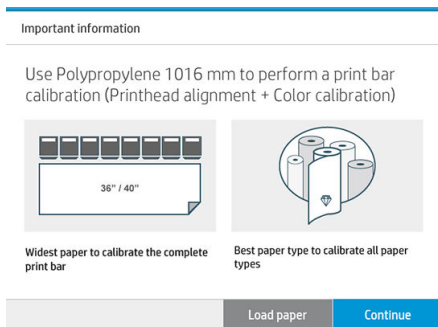
 **NOTE:** Make sure that the room temperature during calibration is similar to the temperature during normal printing. Big temperature differences (> 10°C) can affect the calibrations.

 **NOTE:** Some paper types cannot be calibrated.

---

## Calibration procedure

1. Tap **Calibrate print bar**, then **Continue**.
2. Make sure that you have loaded a roll of HP Production Matte Polypropylene, 40 in (1016 mm) wide, for best results and least waste.



 **NOTE:** You are highly recommended to use HP Production Matte Polypropylene, 40 in (1016mm) wide, to calibrate the print bar.

If you don't have this paper type, or uniform color is not very important to you (such as when printing only CAD drawings), you can disable color calibration to shorten calibration time and paper usage, by tapping and checking the box **Only printhead alignment** in the optimize-print-quality settings. Thereafter, the printer will perform only alignment when this routine is launched. In that case, you can run the print-bar calibration using a different paper type.

If do not use the widest roll that you have, some rolls may remain uncalibrated and the printer will ask for extra calibrations later.

3. Color calibration takes about 12 minutes and uses about 1 m (39 in) of paper.
4. Printhead alignment takes about 12 minutes and uses about 1.3 m (51 in) of paper.
5. After the calibration, the printer uses the results to calculate calibrations for all other paper types.

If the print-bar calibration fails with an error message or leaves some dies misaligned, print the Diagnostics Plot and make sure there are no large contiguous groups of missing nozzles. If there are large contiguous groups of missing nozzles, follow the printhead recovery procedure.

## Select all


By checking the **Select all** box, you can do both basic routines: check and recover the print bar, and calibrate the print bar. This can be useful when these routines have not been done for a while, or if you are unsure which routine is appropriate.

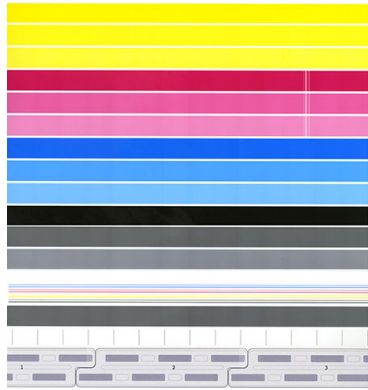
## Advanced options

You can go to **Advanced options** to run specific custom calibrations to solve particular kinds of problems.

## Enhanced printhead recovery

This procedure aims to recover a printhead that has been degraded by heavy usage, or when other methods have failed. It is an intensive procedure to recover printheads with severe degradation, such as multiple nozzles malfunctioning, or color mixing. It may also be used to optimize printheads for jobs with high ink coverage. See [Check and recover print bar on page 115](#).

 **NOTE:** First print a diagnostic plot to identify which printheads require cleaning and thus avoid waste of ink. You can select particular printheads for enhanced recovery. In the example below, the affected printhead would be number 3.



## Page length accuracy

If you find that printed page lengths are slightly incorrect, go to the print quality app and tap **Page length accuracy**.

The next screen shows the loaded paper types. Select the one you need to correct automatically or manually. If you select **Start** (recommended), the printer makes an automatic correction. The front panel warns you to allow some time and paper for the correction. If you select **Adjust manually**, you must enter the value of the length error.

For example, you may print an A0 (1189 mm) page, but you measure the print and find that its length is 1187 mm. You should select A0 and a measured page length of 1187 mm. The page length correction is automatically updated to +2 mm when you enter the measured value.

 **IMPORTANT:** You could cause a system error or damage to the printer by entering an incorrect error value after **Adjust manually**.

If the above procedures do not solve your problem, call your support representative.

## Manual printhead alignment

Manual printhead alignment is a calibration that works on top of the automatic alignment run during the print bar calibration (**Optimize print quality** menu). The aim of this calibration is to fine-tune the overlap between the different printheads and printing areas in order to remove white/dark lines.

Manual printhead alignment

Alignment values

For each number on the printout select "-1" or "1" depending on the defect. If no adjustment is needed leave the value as "0".

01 - 0 + 02 - 0 +

03 - 0 + 04 - 0 +

05 - 0 + 06 - 0 +

07 - 0 + 08 - 0 +

Finish Print test

**TIP:** Some defects may appear on some specific paper types only. You may be able to achieve better results in some cases by changing your paper type.

**TIP:** In some cases, **Calibrate print bar** by itself may be enough to correct defects. If not, try manual printhead alignment.

**TIP:** However, if the results after manual printhead alignment are not satisfactory, you can use **Calibrate print bar** to restore automatic alignment.

---

# 9 Maintenance

- [Check printer status](#)
- [Clean the exterior of the printer](#)
- [Move or store the printer](#)
- [Move or store the high-capacity stacker](#)
- [Move or store the folder](#)
- [Replace the folder's tab reel](#)
- [Update the firmware](#)
- [Secure File Erase](#)
- [Disk Wipe](#)

## Check printer status


You can check the current status of the printer in various ways:


- If you start the HP Utility and select your printer, you see a page of information describing the status of the printer and its paper and ink supplies.
- If you access the Embedded Web Server, you see information about the general status of the printer. The Supplies page in the **Main** tab describes the status of the paper and ink supplies.
- At the front panel, you can see information about paper, ink levels, ink cartridges, and printhead by tapping its corresponding icon.
- At the front panel, If there are any current alerts, the upper row of the home screen shows the top-priority alert. Tap this message to see a list of all current alerts, with an icon indicating the severity of each alert. You can tap an alert to get help in solving the problem.
- From a distance, you can get a quick idea of the printer status by looking at the beacon. See [Printer alerts on page 9](#).

## Clean the exterior of the printer

Clean the outside of the printer and all other parts of the printer that you regularly touch as part of normal operation with a damp sponge or a soft cloth and a mild household cleaner such as non-abrasive liquid soap.

---


 **WARNING!** To avoid an electric shock, make sure that the printer is turned off and unplugged before you clean it. Do not let water get inside the printer.

 **CAUTION:** Do not use abrasive cleaners on the printer.

---

## Move or store the printer

---

 **IMPORTANT:** If the printer needs to be shipped to a different location, you should contact your reseller for assistance. The printer has sensitive components that can be damaged during transportation: special transportation features and tools are needed.


---

To move your printer or store it for an extended period of time at the same site, prepare it correctly as follows to avoid possible damage. Move the printer on its own wheels only over smooth, flat surfaces and do not attempt to go up or down steps.


1. Do not remove the ink cartridges, maintenance cartridge, or cleaning container.
2. If you are moving the printer to a different location, remove the printheads and store them in the containers provided for the purpose.
3. Make sure that no paper is loaded in any drawer.
4. Turn off the power using the **Power** key on the front panel.
5. Also turn off the power switch at the rear of the printer.
6. Disconnect any cables connecting the printer to a network, a computer, a scanner, or any other accessory.

7. Never turn the printer upside down or on its side.
8. For correct environmental storage conditions, see [Environmental specifications on page 141](#).

---

 **NOTE:** The printheads have their own environmental specifications, separate from those of the printer. However, they are best stored in the printer.

---

 **NOTE:** If the printer or ink cartridges are moved from a cold location to a warm and humid location, water from the atmosphere can condense on the printer parts and cartridges and can result in ink leaks and printer errors. In this case, HP recommends that you wait at least 3 hours before turning on the printer or installing the ink cartridges, to allow the water to evaporate.

---

## Move or store the high-capacity stacker

Move the high capacity stacker on its own wheels only over smooth, flat surfaces and do not attempt to go up or down steps.

A minimum door or corridor width of 130 cm is required when moving the high-capacity stacker. If the tray needs to be disassembled to pass through doors or corridors, call your support representative. This should be done by trained service personnel.

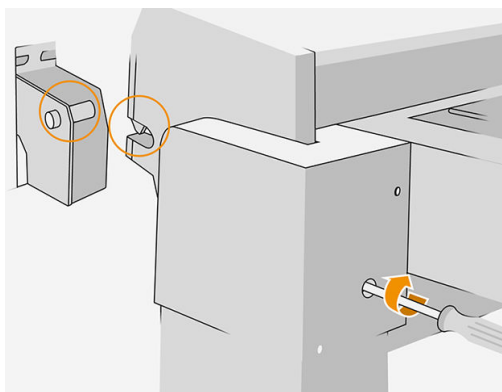
Disconnect the cable before moving or storing the stacker. Reconnect the cable before using the stacker again.

If you will be using the stacker again with the same printer, its height does not need to change. If you attach it to a different printer, you may need to adjust the height. To adjust the height, turn the screw clockwise (as shown below) to move the stacker up, or counterclockwise to move it down. Then connect the stacker to the printer.

---

 **NOTE:** There is a line in the center of the printer and another in the center of the stacker to help you.

---



## Move or store the folder

Move the folder on its own wheels only over smooth, flat surfaces and do not attempt to go up or down steps.

Disconnect the cable before moving or storing the folder.

Before using the folder again, adjust its height and reconnect the cable.

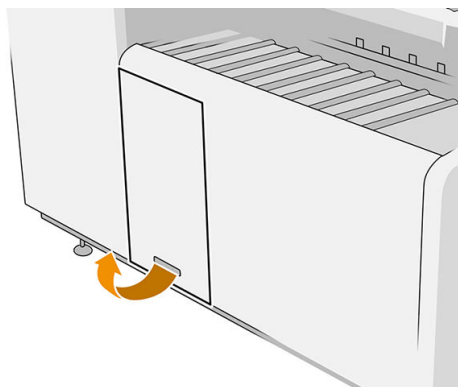


# Replace the folder's tab reel

Example video of a folder with tabs



1. Open the door.



2. Pull the lower lever.

Illustration for folder with part number L3M58A

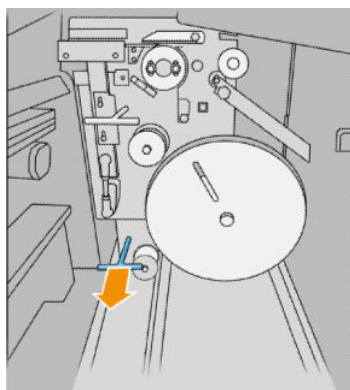
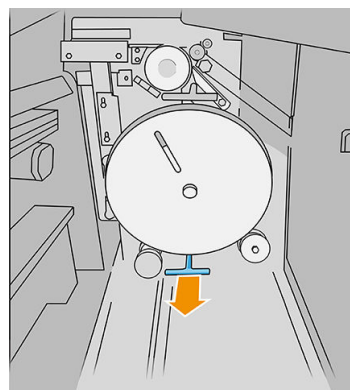


Illustration for folder with part number L3M58B



3. Rotate the tab protector to remove it.

Illustration for folder with part number L3M58A

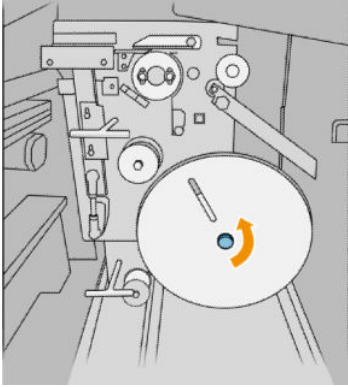
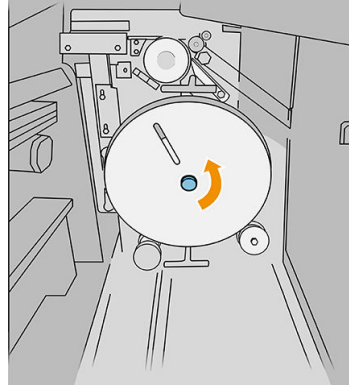


Illustration for folder with part number L3M58B



4. Remove the empty tabs.

Illustration for folder with part number L3M58A

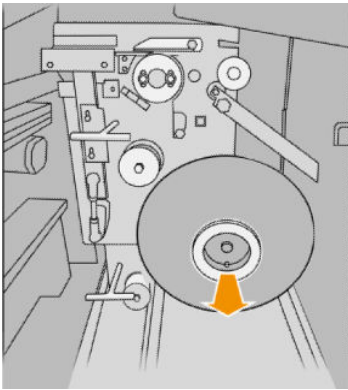
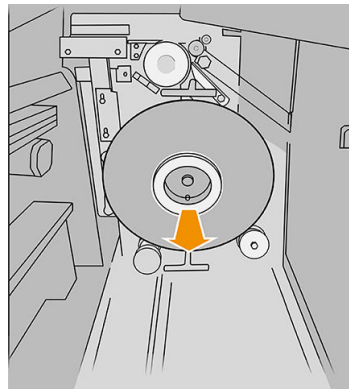


Illustration for folder with part number L3M58B



5. Place the new tab reel.

Illustration for folder with part number L3M58A

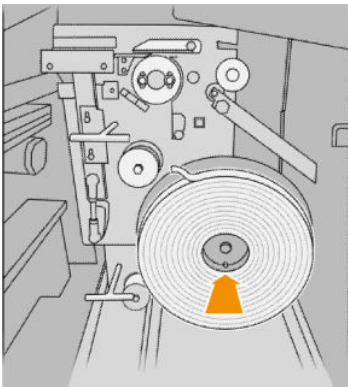
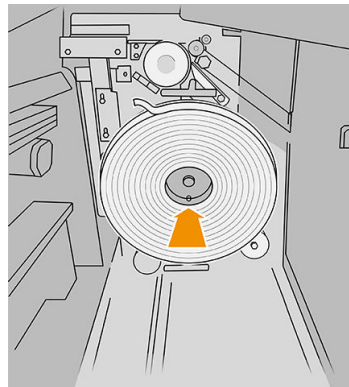


Illustration for folder with part number L3M58B



6. Put back the tab protector.

Illustration for folder with part number L3M58A

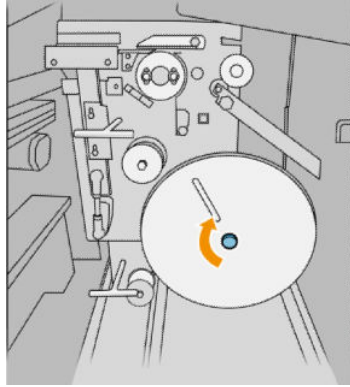


Illustration for folder with part number L3M58B



- 7. Pull the upper lever.

Illustration for folder with part number L3M58A

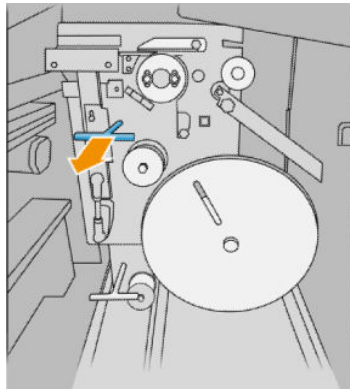
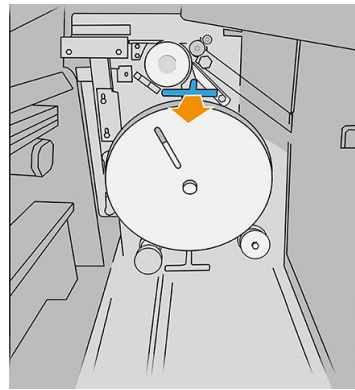


Illustration for folder with part number L3M58B



- 8. Pass the tab reel.

Illustration for folder with part number L3M58A

Open the two parts as shown to pass the tab reel

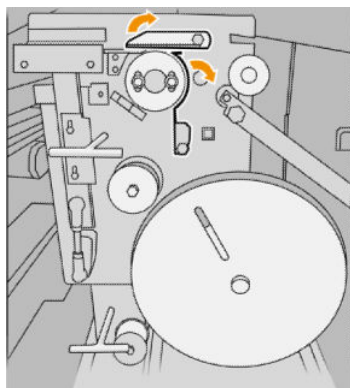
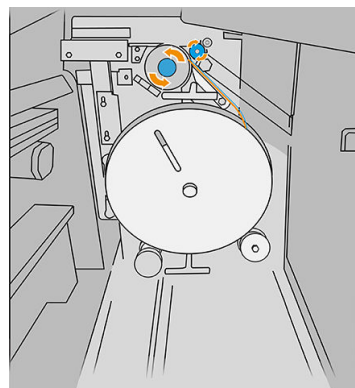


Illustration for folder with part number L3M58B

Pass the tab between the wheels



- 9. Pass the tab reel by the path shown in the image.

Illustration for folder with part number L3M58A

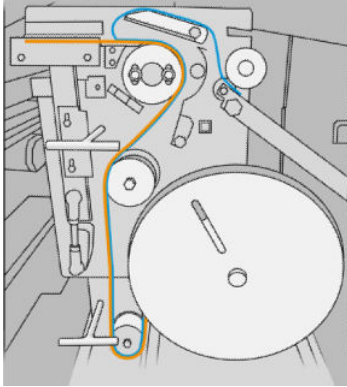
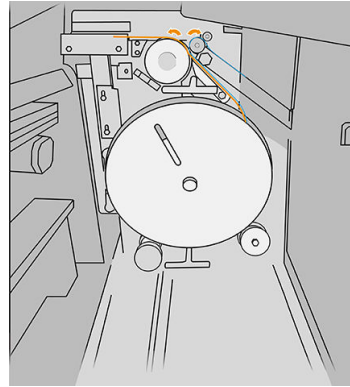
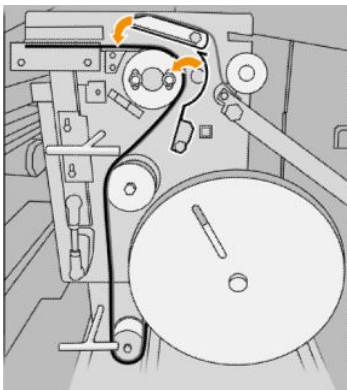


Illustration for folder with part number L3M58B



10. Folder with part number L3M58A only: Close the two parts that you opened in step 8.



11. Push back the two levers.

Illustration for folder with part number L3M58A

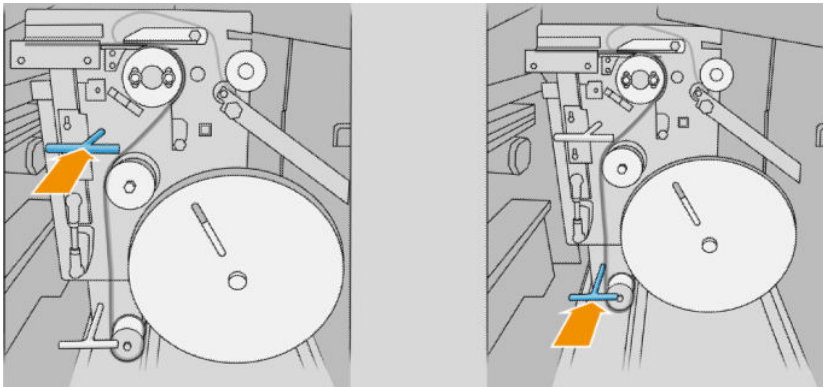
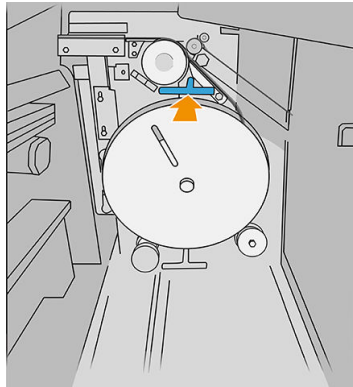
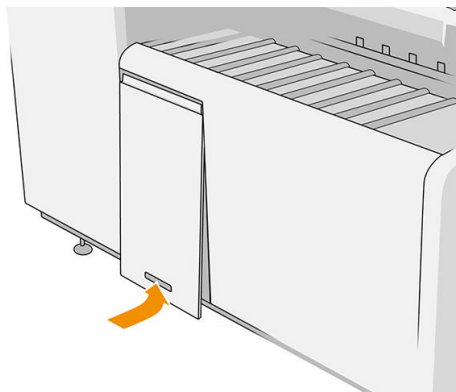



Illustration for folder with part number L3M58B



12. Close the door.



---

 **NOTE:** If you have asked for tabs but they do not appear on the folded jobs, open the cover and check that they are properly installed and that no problem has occurred.


---

## Update the firmware

The printer's various functions are controlled by firmware that resides in the printer.

From time to time firmware updates will be available from HP. These updates increase the printer's functionality, enhance its features, and may correct minor problems.


---

 **IMPORTANT:** You are strongly recommended to update the firmware periodically in order to take advantage of the latest developments.

---

There are various ways of downloading and installing firmware updates; you can choose whichever you find most convenient. They can be divided into two categories: automatic and manual updates.

---

 **NOTE:** The firmware includes a set of the most commonly used paper presets. Extra paper presets can be downloaded separately.

---

## Automatic firmware updates

Automatic firmware updates are a convenience that is possible with HP-connected printers. Your printer can automatically download the latest firmware release and install it for you.

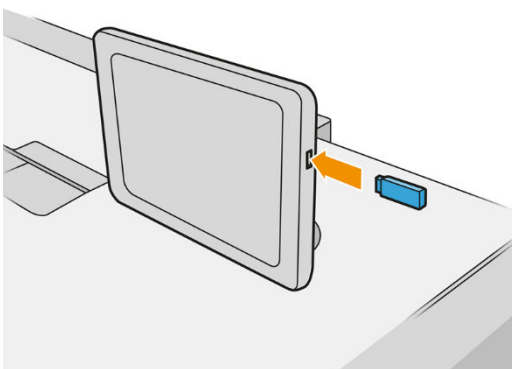
### Important notes

- Your printer must be connected to the Internet; see [Configure your connectivity on page 18](#).
- To configure automatic firmware updates, you can use the front panel or the Embedded Web Server; see [Configure your connectivity on page 18](#).
- A firmware update package can be large; you may want to consider whether there are any implications for your network or Internet connection.
- A firmware update is downloaded in the background: the printer can be printing at the same time. However, it cannot be installed in the background: printing must stop.

## Manual firmware updates

Manual firmware updates can be performed in the following ways:

- Using the Embedded Web Server, click the **Setup** tab and then **Firmware update**. Click **Browse** to select a firmware file (.fmw) that you have already downloaded to your own computer.
- Using the HP DesignJet Utility under Windows, click the **Admin** tab and then **Firmware Update**.
- Using the HP Utility under Mac OS X, click **Firmware Update**.
- Using HP Web Jetadmin, with which you can make manual firmware updates or request automatic updates.
- Using a USB flash drive: Download the firmware file from <http://www.hp.com/go/pagewidexlseries/support/firmware/> (according to your printer model) into the USB flash drive and insert it into the Hi-Speed USB host port in the front panel. A firmware update assistant will appear on the front panel to guide you through the update process.



## Secure File Erase

The printer's hard disk is used as a temporary storage area for print jobs. Secure File Erase can erase your temporary files from the hard disk to protect them from unauthorized access. It begins to do so as soon as you turn it on, but old temporary files that were already on the hard disk are not erased retroactively. If you want to erase the old files too, see [Disk Wipe on page 129](#).

Secure File Erase provides three different levels of security:

- **Non-Secure:** all pointers to the information are erased. The information itself remains on the hard disk until the disk space it occupies is needed for other purposes, and it is then overwritten. While it remains on the disk, it is difficult for most people to access, but may be accessed using software designed for the purpose. This is the normal method in which files are erased on most computer systems; it is the fastest method but the least secure.
- **Secure Fast Erase (1 pass):** all pointers to the information are erased, and the information itself is also overwritten with a fixed character pattern. This method is slower than Non-Secure, but more secure. It may still be possible to access fragments of the erased information by using special tools to detect residual magnetic traces.
- **Secure Sanitizing Erase (5 passes):** all pointers to the information are erased, and the information itself is repetitively overwritten using an algorithm designed to eliminate any residual traces. This is the slowest method, but the most secure. Secure Sanitizing Erase meets the US Department of Defense 5220-22.m requirements for clearing and sanitization of disk media. This is the default security level when using Secure File Erase.

While files are being erased, the printer's performance may be affected.

Secure File Erase is one of the facilities provided by Web JetAdmin, which is HP's free Web-based print management software: see <http://www.hp.com/go/webjetadmin>.

If you have difficulty in using Secure File Erase from Web JetAdmin, contact your support representative: see [When you need help on page 132](#).


The Secure File Erase configuration can be changed from Web JetAdmin or the Embedded Web Server (**Setup > Security**).

## Disk Wipe

Disk Wipe is the same as Secure File Erase (see [Secure File Erase on page 129](#)), except that it erases all temporary files, including old ones.

The Disk Wipe configuration can be changed from Web JetAdmin or the Embedded Web Server (**Setup > Security**).

---

 **NOTE:** If you choose to erase the whole hard disk, you may be asked to restart the printer several times during the process, which will take about 6 hours with Secure Fast Erase or 24 hours with Secure Sanitizing Erase.

---

---

# 10 Accessories

## How to order

Contact your support representative (see [When you need help on page 132](#)), and check that what you want is available in your area.

The rest of this chapter lists the available supplies and accessories, and their part numbers, at the time of writing.

## List of accessories

- HP SmartStream software
- HP DesignJet SD Pro 44-in Scanner (G6H50B)
- HP DesignJet HD Pro 42-in Scanner (G6H51B)
- HP PageWide XL PostScript/PDF Upgrade Kit (CZ317A)

The PostScript upgrade enables the printer to print PDF and PostScript files. The PostScript upgrade can be plugged into the printer's USB host port. It is not necessary to leave it permanently connected: just plug it in once, and the printer is upgraded forever.

- HP PageWide XL Drawer (CZ318A)
- HP PageWide XL High-Capacity Stacker (CZ319A)
- HP PageWide XL Top Stacker (CZ320A)
- HP PageWide XL Folder with Tab Applicator (L3M58A)
- HP F70 Folder (K5H75A)
- HP F70 Folder with Tab Applicator (L3M58B)
- HP F60 Folder (1EW99A)
- HP F60 Folder with Tab Applicator (1EX00A, 1EX00B)
- HP F60 Folder with Tab Applicator (1EX00H)
- HP PageWide XL Folder Upgrade Kit for Long Plots (M0V04A)



# Non-HP accessories

## Install

To install a non-HP accessory, tap , then **Output destination > Install non-HP accessory**.

---

 **NOTE:** Before installing the non-HP accessory, make sure it is connected to the printer (with cable and hooks) and switched on.

---

## Configure

The following settings are available:

- **Minimum gap between sheets.** Range from 100 to 3000 milliseconds.
- **Maximum supported speed.** Range from 2 to 15 inches per second.
- **Minimum page length supported.** Range from 180 to 1000 millimeters.

---

# 11 When you need help

- [Request support](#)
- [Customer Self-Repair](#)
- [Service information](#)

## Request support

Support is provided by your support representative: usually from the company from which you bought the printer.

Before calling your support representative, prepare for the call as follows:

- Review the troubleshooting suggestions in this guide.
- Review your software documentation, if relevant.
- Check that you have the following information ready:
  - The product and serial numbers of the printer you are using.
  - If there is an error code on the front panel, make a note of it. See [Front-panel error messages on page 143](#).
  - The name and version number of your software.
  - If you have a print-quality problem, the name and product number of the paper, and the name and origin of the paper preset that you used to print on it.

## Customer Self-Repair

HP's Customer Self-Repair program offers our customers the fastest service under either warranty or contract. It enables HP to ship replacement parts directly to you (the end user) so that you can replace them. Using this program, you can replace parts at your own convenience.

### Convenient and easy to use

- Your support representative will diagnose and assess whether a replacement part is required to address a defective hardware component.

For more information about Customer Self Repair, see <http://www.hp.com/go/selfrepair/>.

## Service information

The printer can produce on request a list of many aspects of its current status, some of which may be useful to a service engineer trying to fix a problem. There are two different ways to request this list:

- In the Embedded Web Server (see [Embedded Web Server on page 13](#)), click the **Support** tab and then **Service support > Printer information**. You are recommended to request the whole list (click **All pages**).
- From any computer with Internet access, enter the URL of your printer into a Web browser, followed by `/hp/device/webAccess/allServicePlot.htm`. For instance, if the URL of your printer is `http://123.123.123.123`, enter:

```
http://123.123.123.123/hp/device/webAccess/allServicePlot.htm
```

If you need to send the list by email, you can save the page as a file from your Web browser, and later send the file. Alternatively, from Internet Explorer you can send the page directly: click **File > Send > Page by email**.

---

## 12 Retrieving printer usage information

- [Get printer usage and accounting information](#)
- [Get usage information](#)
- [Get detailed job accounting information](#)

# Get printer usage and accounting information

There are two types of information you can get related to printer usage:

- Accumulated usage information: information about printer usage (paper and ink consumption) and scanner usage (scan and copy) for the whole life of the printer.
- Detailed job accounting information: information about the characteristics of specific scan and print jobs, such as who created it, when it was sent, termination status (successful, cancelled...), and the resources (ink and paper) used to process it.

This information can be accessed from the printer's front panel or from the Embedded Web Server, and it can be printed. There is also the capability of configuring the printer to send usage and accounting reports by email.

Document	Job type	Job source	Status	Copies	Cost type	Cost value	Paper type	Paper usage	Mono category	Ink used*	User name	Printing time	Print quality	Scanned area
Full page photo	Print	Driver	printed	1	Total	7.40	Plain Paper (<90 g/m <sup>2</sup> )	0.2716 m <sup>2</sup>		0.693 ml	testpc	Jul 17, 2015 9:52:53 AM	Lines/Fast	-
009_connections.pdf	Print	Driver	printed	1	Total	9.06	Plain Paper (<90 g/m <sup>2</sup> )	0.3639 m <sup>2</sup>		0.433 ml	testpc	Jul 17, 2015 12:54:14 PM	Lines/Fast	-
012_20_Portfolio_A1_L.pdf	Print	Driver	printed	1	Total	6.25	Plain Paper (<90 g/m <sup>2</sup> )	0.2716 m <sup>2</sup>		0.272 ml	testpc	Jul 17, 2015 3:16:32 PM	Lines/Fast	-
Usage Report	Print	Internal	printed	1	Total	6.18	Plain Paper (<90 g/m <sup>2</sup> )	0.2768 m <sup>2</sup>	mono no	0.184 ml	Internal prints	Jul 17, 2015 3:17:59 PM	Uniform areas	-
017_04_Sabin_A3_L.pdf	Print	Driver	printed	1	Total	10.98	Blue back paper	0.3839 m <sup>2</sup>		3.262 ml	testpc	Jul 17, 2015 3:19:55 PM	Lines/Fast	-
022_Tavv_L_A0.pdf	Print	Driver	printed	1	Total	1.64	Blue back paper	0.2716 m <sup>2</sup>		0.477 ml	testpc	Jul 17, 2015 3:47:52 PM	Lines/Fast	-
027_02_Fra_Amposta_A1_L.pdf	Print	Driver	printed	1	Total	6.09	Plain Paper (<90 g/m <sup>2</sup> )	0.2716 m <sup>2</sup>	mono no	0.227 ml	testpc	Jul 17, 2015 4:23:09 PM	Lines/Fast	-

Note:  
\*Estimate only. Actual supply consumption may vary. See help page for details.

The usage, status, and accounting information can also be used by a third party application through a Software Development Kit provided by HP.

# Get usage information


Click  on the front panel to display the usage information.

	342.18 ml	147.06 ft <sup>2</sup>	49.54 ft
<b>TOTAL</b>			
Mono lines	10.33 ml	33.11 ft <sup>2</sup>	11.19 ft
Color lines	289.99 ml	5.06 ft <sup>2</sup>	1.77 ft
Low density image	0.00 ml	0.00 ft <sup>2</sup>	0.00 ft
High density image	41.85 ml	108.88 ft <sup>2</sup>	36.58 ft
Premium quality image	0.00 ml	0.00 ft <sup>2</sup>	0.00 ft

Print usage report

The following information can be retrieved:

- **Print categories usage:** You can see the usage divided into categories.

 **NOTE:** Depending on the contract you have with your support representative, print categories or paper types information may not be available or may be different.

- Mono lines: Black-and-white CAD jobs printed on standard paper
- Color lines: Color CAD jobs printed on standard paper
- Low density image: Between 10% and 50% of pixel coverage printed on standard paper

- High density image: Over 50% of pixel coverage printed on standard paper
- Premium quality image: Any content type printed on premium paper

Print categories usage

Print categories usage			
<b>TOTAL</b>	<b>342.18 ml</b>	<b>147.06 ft<sup>2</sup></b>	<b>49.54 ft</b>
Mono lines	10.33 ml	33.11 ft <sup>2</sup>	11.19 ft
Color lines	289.99 ml	5.06 ft <sup>2</sup>	1.77 ft
Low density image	0.00 ml	0.00 ft <sup>2</sup>	0.00 ft
High density image	41.85 ml	108.88 ft <sup>2</sup>	36.58 ft
Premium quality image	0.00 ml	0.00 ft <sup>2</sup>	0.00 ft

Print usage report

- **Scan usage:** The copy and scan usage in m<sup>2</sup>, and the total amount.

Scan usage

Scan usage	
<b>TOTAL</b>	<b>0.67 ft<sup>2</sup></b>
Copy	0.00 ft <sup>2</sup>
Scan	0.67 ft <sup>2</sup>

Print usage report

- **Ink usage:** The ink consumed by each cartridge in ml, and the total amount of ink consumed.

Ink - Approximate values. Actual consumption may vary.

Ink usage	
<b>TOTAL</b>	<b>53.27 ml</b>
Cyan	0.00 ml
Black	0.00 ml
Yellow	11.63 ml
Magenta	15.99 ml
Cyan	15.75 ml
Black	9.90 ml
Yellow	0.00 ml
Magenta	0.00 ml

Print usage report

- **Paper usage:** Amount of paper used and the total at the top, divided into paper categories or families.

Usage can be seen at each level.

Paper usage		
<b>TOTAL</b>	<b>170.97 ft²</b>	<b>58.33 ft</b>
Plain Paper	170.97 ft²	58.33 ft
Plain Paper (<90 g/m²)	170.97 ft²	58.33 ft

Print usage report

When you tap the **Print usage report** button, a message is displayed: **The usage report was sent to the job queue and will be printed soon.**

All the values can be displayed in English or metric units.

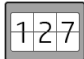

### From the Embedded Web Server

The same information can be retrieved from the Embedded Web Server as from the front panel.

1. Access the Embedded Web Server, see [Embedded Web Server on page 13](#).
2. Go to the **Main** tab.
3. Click **History > Usage**.

### Print the usage information

There are two different ways to print the usage information from the front panel's home screen:

- Tap  to launch the usage information screen, then tap the **Print usage report** button.
- Tap , then **Internal prints > Printer usage information > User information print > Print usage report**.

## Get detailed job accounting information

### Accounting statistics with the Embedded Web Server

1. Access the Embedded Web Server, see [Embedded Web Server on page 13](#).
2. Go to the **Main** tab.
3. Under the History heading in the left-hand column, click **Accounting**.

### Request usage and accounting data by email

1. Obtain the IP address of the outgoing mail server (SMTP) from your IT department; this is required in order to send email messages.
2. Ensure that the outgoing email server is configured to enable relaying of email messages that the printer will send.

3. Open your Web browser and connect to the printer's Embedded Web Server.
4. Click the **Setup** tab.
5. Under the **Configuration** heading in the left-hand column, click **Date & Time**.
6. Ensure that the printer's date and time have been set correctly.
7. In the **Setup** tab, under the **Configuration** heading in the left-hand column, click **Email server**.
8. Enter the IP address of the outgoing mail server (SMTP).
9. If the outgoing mail server is password-protected, enter the user name and password required to access it.
10. Specify an email address for the printer, which serves to identify the printer when it sends email messages. In most cases you are recommended to choose an email address already associated with the user name given in the previous step. See [Turn usage information on and off on page 20](#).
11. In the **Setup** tab, under the **Configuration** heading, click **Printer settings**.
12. In the **Accounting** section, if you set **Require account ID** to **On**, then every time someone sends a print job to the printer, he or she must provide an account ID: for example, an ID corresponding to his or her department or to a specific project or client. If someone sends a job without providing an account ID, the printer will hold the unidentified job in the queue without printing it until an account ID is provided.  
  
If you set **Require account ID** to **Off**, then the printer will print all jobs whether or not they have an account ID.
13. Set **Send accounting files** to **Enabled**.
14. Set **Send accounting files to the email address** (or addresses) to which you want the accounting information sent. This may be an address that you have created specifically to receive automatically generated messages from the printer.
15. Set **Send accounting files every** to the frequency with which you want the information sent, choosing a specific number of days or prints.
16. You may want to set **Exclude personal information from accounting email** to **On**, so that the accounting messages will not contain personal information. If this option is **Off**, information such as user name, job name, and account ID will be included.
17. In the **Setup** tab, under the **Configuration** heading, click **Security**. If you would like accounting messages to include the user name, check the **Show user name in job accounting** box. If this box is unchecked, the user name is not included.

When you have completed the above steps, the printer will send accounting data by email with the frequency that you specified. The data are provided in XML and can easily be interpreted by a third-party program. The data provided on each print job include when the job was submitted, when the job was printed, the printing time, the type of image, the number of pages, the number of copies, the paper type and size, the amount of each color of ink used and various other attributes of the job. Accounting data are also provided on scan and copy jobs.



---

# 13 Printer specifications

- [Functional specifications](#)
- [Physical specifications](#)
- [Memory specifications](#)
- [Power specifications](#)
- [Environmental specifications](#)
- [Acoustic specifications](#)
- [Speed specifications \(Lines/Fast mode\)](#)

# Functional specifications

## HP ink supplies

Printheads	Eight CMYK printheads, each containing 25344 nozzles spaced at 1200 nozzles per inch
Ink cartridges	Cartridges containing 775 ml of ink: black, cyan, magenta, yellow

## Paper sizes

	Minimum	Maximum
Roll width	11 in (279 mm)	40 in (1016 mm)
Roll diameter		7 in (177 mm) *
Roll core diameter		3 in (76 mm)
Roll weight		18 kg (40 lb)
Sheet width (scanner)		36 in (914 mm)
Sheet length (scanner)		Up to 15 m (49.21 ft), depending on file type
Roll paper thickness		0.4 mm (0.016 in)
Paper weight	70 g/m <sup>2</sup>	200 g/m <sup>2</sup>

\* For rolls up to 36 in (914 mm)

## Printing resolutions

Print quality	Rendering resolution (ppi)	Halftone resolution (dpi)	Printing resolution (dpi)
Lines/Fast	600 × 600	600 × 600	1200 × 1200
Uniform areas	600 × 600	600 × 600	1200 × 1200
High detail	600 × 600	1200 × 1200	1200 × 1200

**Scanner resolution:** Up to 1200 ppi

**Margins:** 3 mm (0.012 in)

**Maximum printable width:** 1000 mm (39.37 in)

## Mechanical accuracy

±0.1% of the specified vector length or ±0.2 mm (whichever is greater) at 23°C (73°F), 50-60% relative humidity, on E/A0 polypropylene in high-detail or uniform-areas mode.

### Graphic languages supported

Printer	Languages
PostScript	PostScript, PDF, TIFF, JPEG
Non-PostScript	HP-GL/2, PCL 3 Win

## Physical specifications

### Printer physical specifications

Width	1960 mm (77.17 in)
Depth	800 mm (31.5 in)
Depth with basket folded	991 mm (39 in)
Depth with basket unfolded	1266 mm (49.84 in)
Height with front panel	1527 mm (60.12 in)

## Memory specifications

### Memory specifications

Physical DRAM	16 GB
Hard disk	500 GB
Solid-state disk	128 GB

## Power specifications

### Printer power specifications

	Worldwide	Asia-Pacific, Japan
Input voltage	~200–240 V $\pm$ 10%	~200–240 V $\pm$ 10%
	Two wires + PE	Two wires + PE
Input frequency	50/60 Hz	50/60 Hz
Maximum load current	8 A	13 A
Power consumption (printing)	1.2 kW	2.2 kW
Power consumption (ready)		

## Environmental specifications

### Printhead environmental specifications

Storage temperature	5 to 40°C (41 to 104°F)
Storage humidity	20 to 80% RH, depending on paper type

### Printer environmental specifications

Operating temperature	5 to 40°C (41 to 104°F)
Recommended operating temperature for best performance	15 to 35°C (59 to 95°F), depending on paper type
Storage temperature	-25 to 55°C (-13 to 131°F)
Recommended operating humidity	20 to 80% RH, depending on paper type
Storage humidity	< 90% RH
Altitude	0 to 3000 m (10000 ft)

## Acoustic specifications

### Printer acoustic specifications

Printing acoustic pressure	≤ 58 dB(A)
Printing acoustic power	≤ 7.4 B(A)
Ready acoustic pressure	≤ 36 dB(A)
Ready acoustic power	≤ 5.3 B(A)
Sleep acoustic pressure	≤ 16 dB(A)
Sleep acoustic power	≤ 3.4 B(A)

## Speed specifications (Lines/Fast mode)

30 D/A1 pages/min

---

## 14 Front-panel error messages

The printer may occasionally display a system error, consisting of a numerical code of 12 digits followed by the recommended action that you should take.

In most cases you will be asked to restart the printer, because when the printer starts it can diagnose the issue better and may be able to fix it automatically. If the problem persists after restarting, you should contact your support representative and be ready to give the numerical code from the error message.

If the error message contains some other recommended action, follow the printer's instructions.

---

# Glossary

## **Bonjour**

Apple Computer's trade name for its implementation of the IETF Zeroconf specification framework, a computer network technology used in Apple's Mac OS X from version 10.2 onwards. It is used to discover services available on a local area network. It was originally known as Rendezvous.

## **Color accuracy**

The ability to print colors that match the original image as closely as possible, bearing in mind that all devices have a limited color gamut and may not be physically capable of matching certain colors precisely.

## **Color consistency**

The ability to print the same colors from a particular print job from print to print and from printer to printer.

## **Color model**

A system of representing colors by numbers, such as RGB or CMYK.

## **Color space**

A color model in which each color is represented by a specific set of numbers. Many different color spaces can use the same color model: for instance, monitors generally use the RGB color model, but they have different color spaces, because a particular set of RGB numbers results in different colors on different monitors.

## **Cutter**

A printer component that slides back and forth across the platen to cut the paper.

## **ESD**

ElectroStatic Discharge. Static electricity is common in daily life. It is the spark when touching the car door, or the cling of clothing. Although controlled static electricity has some useful applications, uncontrolled electrostatic discharges are one of the main hazards to electronic products. Therefore, to prevent damage some precautions are needed when setting up the printer, or handling ESD sensitive devices. This type of damage may reduce the life expectancy of the device. One way to minimize uncontrolled ESDs, and therefore reduce this type of damage is by touching any exposed grounded part of the printer (mainly metal parts) before handling ESD sensitive devices (such as the printhead or ink cartridges). Additionally, to reduce the generation of electrostatic charge in your body try to avoid working in a carpeted area, and keep your body movements to a minimum when handling ESD sensitive devices. Also, avoid working in low humidity environments.

## **Ethernet**

A popular computer networking technology for local area networks.

## **Fast Ethernet**

An Ethernet network capable of transferring data at up to 100,000,000 bits/second. Fast Ethernet interfaces are capable of negotiating slower speeds when required for compatibility with older Ethernet devices.

## **Firmware**

Software that controls your printer's functionality and is stored semi-permanently in the printer (it can be updated).

## **Gamut**

The range of colors and density values reproducible on an output device, such as a printer or monitor.

## **Gigabit Ethernet**

An Ethernet network capable of transferring data at up to 1,000,000,000 bits/second. Gigabit Ethernet interfaces are capable of negotiating slower speeds when required for compatibility with older Ethernet devices.

**Hi-Speed USB**

A version of USB, sometimes called USB 2.0, that can run 40 times faster than original USB, but is otherwise compatible with original USB. Most personal computers today use Hi-Speed USB.

**HP RTL**

HP Raster Transfer Language: a language defined by HP to describe raster (bitmap) graphics.

**HP-GL/2**

HP Graphics Language 2: a language defined by HP to describe vector graphics.

**I/O**

Input/Output: this term describes the passing of data between one device and another.

**ICC**

The International Color Consortium, a group of companies that have agreed on a common standard for color profiles.

**Ink cartridge**

A removable printer component that stores ink of a particular color and provides it to the printhead.

**IP address**

May mean an IPv4 address (most likely) or an IPv6 address.

**IPSec**

A sophisticated mechanism for providing network security by authenticating and encrypting IP packets sent between nodes on a network. Each network node (computer or device) has an IPSec configuration. Applications are usually unaware whether IPSec is being used or not.

**IPv4 address**

A unique identifier that identifies a particular node on an IPv4 network. An IPv4 address consists of four integers separated by full stops. Most networks in the world use IPv4 addresses.

**IPv6 address**

A unique identifier that identifies a particular node on an IPv6 network. An IPv6 address consists of up to 8 groups of hexadecimal digits separated by colons. Each group contains up to 4 hexadecimal digits. Only a few new networks in the world use IPv6 addresses.

**LED**

Light-Emitting Diode: a semiconductor device that emits light when electrically stimulated.

**MAC address**

Media Access Control address: a unique identifier used to identify a particular device on a network. It is a lower-level identifier than the IP address. Thus, a device may have both a MAC address and an IP address.

**Network**

A network is a set of connections that pass data between computers and devices. Every device is able to communicate with every other device in the same network. This allows data to be moved between computers and devices, and allows devices such as printers to be shared between many computers.

**Nozzle**

One of many tiny holes in a printhead through which ink is deposited onto the paper.

**Paper**

A thin, flat material made to be written or printed on; most commonly made from fibers of some kind which are pulped, dried and pressed.

**Platen**

The flat surface within the printer over which the paper passes while it is being printed on.

**Printer driver**

Software that converts a print job in a generalized format into data suitable for a particular printer.

**Printhead**

A removable printer component that takes ink of one or more colors from the corresponding ink cartridge(s) and deposits it on the paper, through a cluster of nozzles.

**TCP/IP**

Transmission Control Protocol/Internet Protocol: the communications protocols on which the Internet is based.

**USB**

Universal Serial Bus: a standard serial bus designed to connect devices to computers. Your printer supports Hi-Speed USB (sometimes called USB 2.0).

**USB device port**

A square USB socket found on USB devices, through which a computer can control the device. For a computer to print to your printer using a USB connection, the computer must be connected to the printer's USB device port.

**USB host port**

A rectangular USB socket such as those found on computers. A printer can control USB devices that are connected to such a port. Your printer has two USB host ports, which it uses to control accessories and USB flash drives.



---

# Index

## A

- access control 21
- accessories 130
- account ID
  - requiring 25
- accounting 135
- acoustic specifications 142

## B

- basket 111
- beacon 10

## C

- calibrate print bar 116
- cartridges 56
- caution 5
- clean the printer 121
- cleaning container 66
- color calibration 116
- components of printer 7
- computer communication
  - printer/computer communications issues 79
- connect the printer
  - general 15
  - Mac OS X network 17
  - Windows network 16
- connectivity
  - configure 18
- CSR 133
- customer self-repair 133

## D

- delayed printing 80
- DHCP settings 74
- diagnostic plot 115
- dim mode 11
- disk wipe 129
- DNS settings 75
- driver preferences 27
- drivers 25

## E

- email notifications 21
- email printing 87
  - configure 19
- email server
  - configure 20
- Embedded Web Server 13
  - accessibility 27
  - cannot access 80
  - usage statistics 135
- environmental specifications 142
- erase files securely 129
- errors 143

## F

- file erase, secure 129
- firewall status 76
- firmware update 127
  - manual setup 19
- folders 101
- front panel 8
  - accessibility 27
  - language 11
- front panel option
  - beacon 12
  - display brightness 12
  - Embedded Web Server 80
  - language 11
  - notify warning alerts 12
  - printer sleep 12
  - printing & management 80
  - speaker volume 12
  - unit selection 12
- front view 7
- front-panel options
  - date and time options 12
  - restore factory settings 12
- functional specifications 140

## G

- graphic languages 141

## H

- hard disk specification 141
- help 132
- HP ePrint 87
- HP Utility
  - access 12
  - cannot access 80

## I

- ink cartridge
  - specification 140
- ink cartridges 56
- internal prints 14
- IP address 75
- IPSEC status 76
- IPv6 settings 75

## J

- job deletion 96
- job details 93
- job queue 90
- job queue actions 92
- job queue options 95

## L

- labels, warning 5
- language 11
- link speed 77
- load paper
  - general advice 30

## M

- maintenance cartridge 68
- margins
  - specification 140
- mechanical accuracy 140
- memory specifications 141
- move
  - folder 122
  - high-capacity stacker 122
  - printer 121

- N**
- network troubleshooting 78
- networks
  - link speed 77
  - protocols 74
  - security settings 76
  
- O**
- output mismatch 94
  
- P**
- page length accuracy 118
- paper
  - cannot load 39
  - jam 40
  - load 34
  - options 38
  - protect 40
  - sizes (max and min) 140
  - status 33
  - store 39
  - supported types 31
  - unload 38
- paper mismatch 93
- pause the queue 92
- physical specifications 141
- power
  - on/off 14
- power specifications 141
- preferences, Windows driver 27
- print bar 59
- print by email 87
- print from driver 83
- print from USB flash drive 86
- print modes 88
- print next 92
- print now 92
- print quality 113
- printer calibration 116
- printer software
  - Mac OS X uninstall 18
  - Windows uninstall 17
- printer status 121
- printer's main components 7
- printhead
  - specification 140
- printhead alignment 116
  - manual 119
- printhead cleaner
  - specification 140
- printheads 59
  - enhanced recovery 118
- printing preferences
  - default 96
  - printing resolutions 140
  - protocols, network 74
  - Proxy Server settings 76
  
- Q**
- queue management 90
  
- R**
- rear view 7
- reprint job 92
- roll policies 93
  
- S**
- safe mode 71
- safety labels 5
- safety precautions 2
- secure file erase 129
- security 21
  - network settings 76
- service information 133
- sleep mode 11
- specifications
  - acoustic 142
  - environmental 142
  - functional 140
  - graphic languages 141
  - hard disk 141
  - ink supplies 140
  - margins 140
  - mechanical accuracy 140
  - memory 141
  - paper size 140
  - physical 141
  - power 141
  - printing resolutions 140
  - speed 142
- speed specifications 142
- stacker
  - high-capacity 100
  - top 99
- statistics
  - usage 135
- store
  - folder 122
  - high-capacity stacker 122
  - printer 121
- support 132
- system errors 143
  
- T**
- tab reel
  - replace 123
- TCP/IP settings 74
  
- U**
- usage information
  - turn on and off 20
  
- W**
- warning 5
- warning labels 5
- when to start printing 95