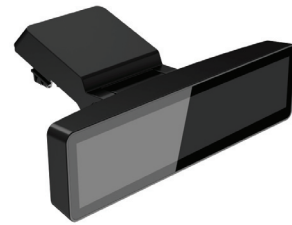




Installation Instructions

HP RP9 Integrated 2x20 Top Mount and Bottom Mount Customer Facing Displays (CFDs)



Top Mount CFD



Bottom Mount CFD

© Copyright 2016 HP Development Company, L.P. The information contained herein is subject to change without notice.

Printed in

First Edition: February 2016



843782-001

Before you begin

1. Save all files and shut down the computer properly through the operating system, and then turn off any external devices.
2. Disconnect the power cord from the electrical outlet and disconnect any external devices.

WARNING! To avoid the risk of serious injury or damage to the computer, ensure that the computer's AC power cord is unplugged from the AC outlet at the wall before installing this product. Failure to do so may expose you to the risk of electric shock.

WARNING! To reduce the risk of personal injury from hot surfaces, allow the internal system to cool before touching.

CAUTION: Static electricity can damage the electronic components of the computer or optional equipment. Before beginning this procedure, ensure that you are static-free by briefly touching a grounded metal object.

NOTE: For regulatory and safety notices, refer to the *Product Notices* included with your product.

Product support

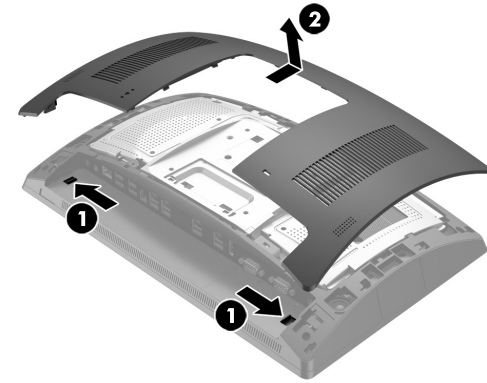
For the online access to technical support information, self-solve tools, online assistance, community forums or IT experts, broad multivendor knowledge base, monitoring and diagnostic tools, go to www.hp.com/support.

NOTE: If you need help preparing your computer model for this installation, refer to the documentation provided with the computer, or go to www.hp.com/support to locate the manual for your model.

Installing the top mount CFD

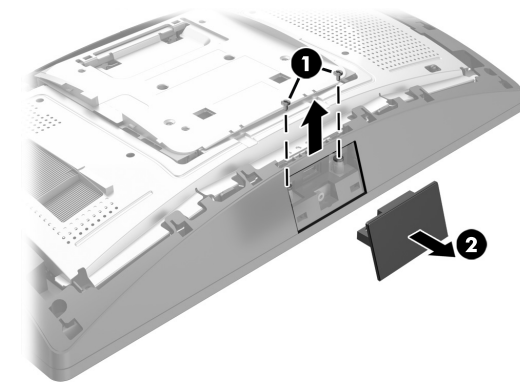
You must install the top mount CFD in the top USB port on the RP9 display head. Before installing the CFD, you must remove the display head rear cover and the top port cover.

1. Press the two latches on the display head rear cover outward **1**. Slide the rear cover up, and then lift it off the display head **2**.

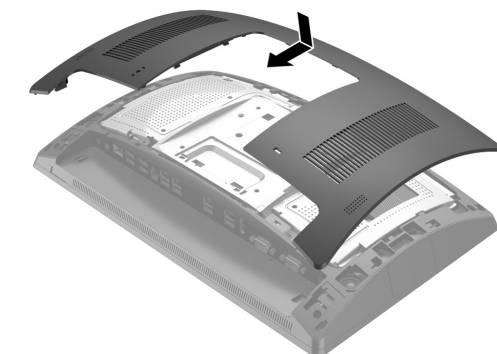


2. Remove the two screws that secure the top port cover **1**, and then pull the port cover off the display head **2**.

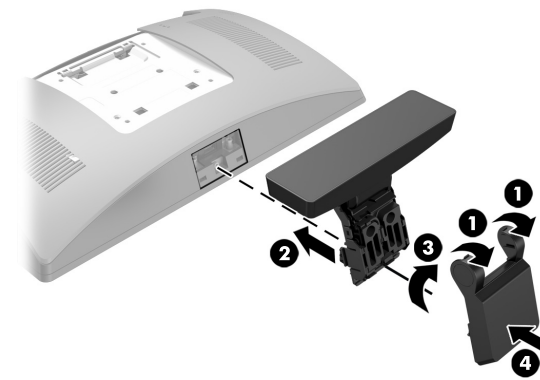
NOTE: You may need to gently loosen the port cover from inside of the screw holes with a flat screwdriver.



3. Align the tabs on the display head rear cover with the slots on the display head. Place the cover on the display head, and then slide the cover down so that it snaps in place.



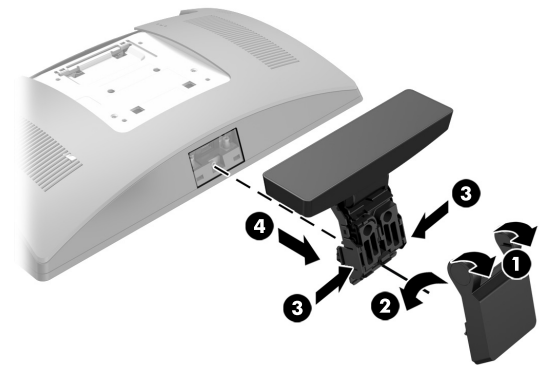
4. Remove the cover from the CFD arm by pulling back the top of the cover **1** and then the bottom of the cover. Insert the USB connector on the CFD into the USB port **2**, and then secure the CFD with the screw provided **3**. Replace the arm cover **4** by snapping the top of the cover onto the arm and then the bottom of the cover.



5. Reconnect the power cord and any external devices, and then turn on the computer.

Removing the top mount CFD

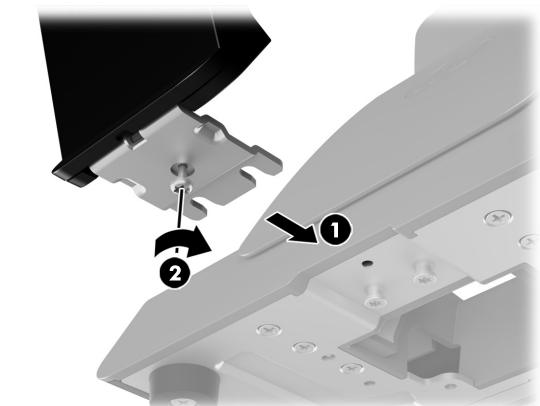
Remove the cover from the CFD arm by pulling back the top of the cover **1** and then the bottom of the cover. Loosen the screw that secures the CFD to the display head **2**, press in the two tabs on the sides of the CFD arm **3**, and then slide the CFD out of the USB port **4**.



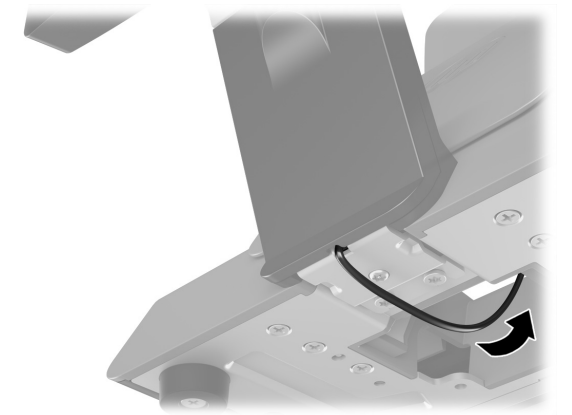
Installing the bottom mount CFD

The bottom mount CFD must be installed on the base of the RP9 stand.

1. Lay the RP9 face down on a flat surface covered by a soft clean cloth.
2. Slide the CFD bracket onto the underside of the base **1**, and then secure the bracket with the screw **2**.



3. Route the CFD cable up through the center hole in the base and connect it to a USB port on the rear of the display head.



4. Reconnect the power cord and any external devices, and then turn on the computer.

Documentation feedback

HP is committed to providing documentation that meets your needs. To help us improve the documentation, please send any suggestions, comments, or errors to doc.feedback@hp.com. Include the document title and part number (located near the barcode) when submitting your feedback.