



Installation Instructions

HP RP9 Integrated Side Mount and Bottom Mount Barcode Scanners



Side Mount Barcode Scanner



Bottom Mount Barcode Scanner

© Copyright 2016 HP Development Company, L.P.

The information contained herein is subject to change without notice.

Printed in

First Edition: February 2016



844018-001

Before you begin

1. Save all files and shut down the computer properly through the operating system, then turn off any external devices.
2. Disconnect the power cord from the electrical outlet and disconnect any external devices.

⚠ WARNING! To avoid the risk of serious injury or damage to the system, ensure that the power cord is unplugged from the electrical outlet at the wall before installing this product. Failure to do so may expose you to the risk of electric shock.

📄 NOTE: For regulatory and safety notices, refer to the *Product Notices* included with your product. The regulatory model number for this product is TPC-W028-BS.

Product support

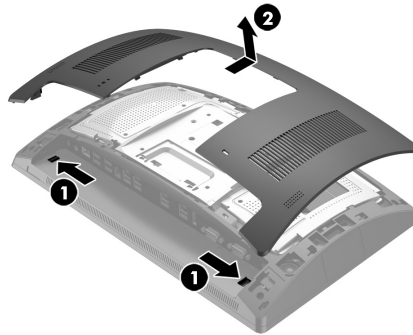
For the online access to technical support information, self-solve tools, online assistance, community forums or IT experts, broad multivendor knowledge base, monitoring and diagnostic tools, go to www.hp.com/support.

📄 NOTE: If you need help preparing your computer model for this installation, refer to the documentation provided with the computer, or go to www.hp.com/support to locate the manual for your model.

Installing the side mount barcode scanner

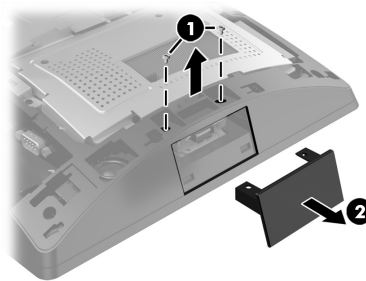
You can install the side mount barcode scanner in the USB port on the left side or right side of the RP9 display head. Before installing the barcode scanner, you must remove the display head rear cover and the side port cover.

1. Press the two latches on the display head rear cover outward **1**. Slide the rear cover up, and then lift it off the display head **2**.

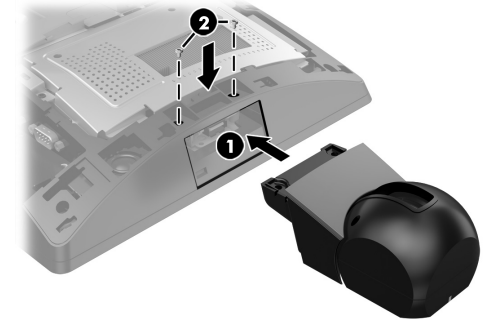


2. Remove the two screws that secure the side port cover **1**, and then pull the port cover off the display head **2**.

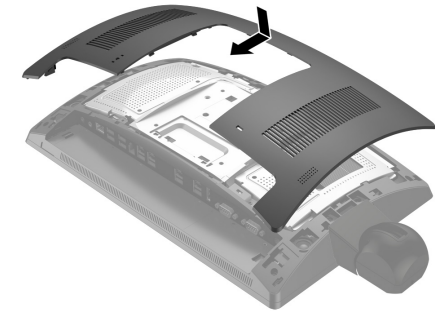
📄 NOTE: You may need to gently loosen the port cover from inside of the screw holes with a flat screwdriver.



3. Insert the USB connector on the barcode scanner into the side USB port **1**, and then secure the module with the two screws that were previously removed **2**.



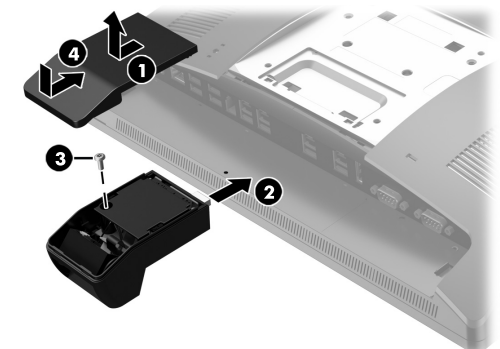
4. Align the tabs on the display head rear cover with the slots on the display head. Place the cover on the display head, and then slide the cover down so that it snaps in place.



5. Reconnect the power cord and any external devices, and then turn on the computer.

Installing the bottom mount barcode scanner

Slide the cover on the barcode scanner down and then lift the cover up to remove it **1**. Plug the barcode scanner into the rear I/O Powered USB 12V (B) connector **2**, and then secure the barcode scanner with the screw provided **3**. Replace the barcode scanner cover **4**.



Configuring the barcode scanner

To configure the integrated barcode scanner, refer to the *HP Point of Sale Configuration Guide* (available in English only). The guide is located with the documentation on your retail computer and at <http://www.hp.com/support>. To access the guide on the retail computer, select **Start > HP Point of Sale Information**.

Documentation feedback

HP is committed to providing documentation that meets your needs. To help us improve the documentation, please send any suggestions, comments, or errors to doc.feedback@hp.com. Include the document title and part number (located near the barcode) when submitting your feedback.