

# Hard Drive Replacement Instructions



862376-001



## Before you begin

Observe the following requirements before removing and replacing the hard drive.

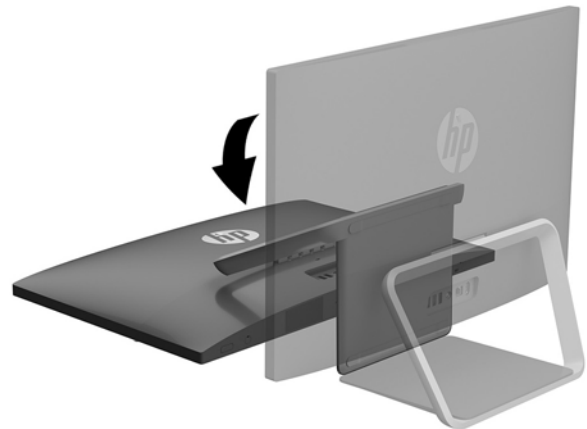
**WARNING:** Never open the cover while the power cord is attached. You might damage your computer or be injured by the spinning fan blades.

**WARNING:** Avoid touching sharp edges inside the computer.

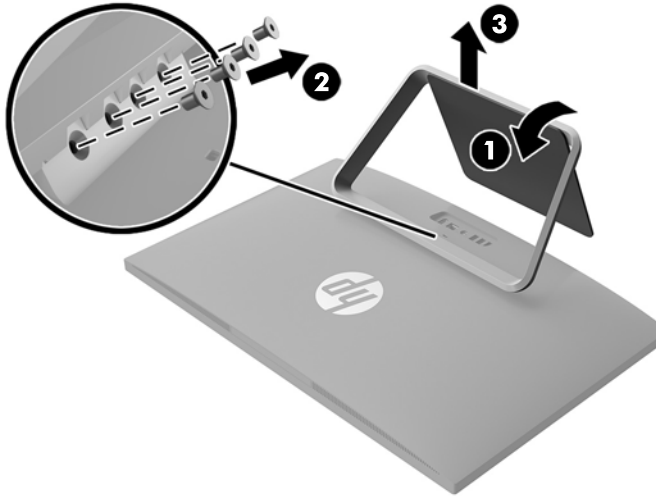
**CAUTION:** Static electricity can damage the electronic components inside the computer. Discharge static electricity by touching the metal cage of the computer before touching any internal parts or electronic components.

## Removing the hard drive

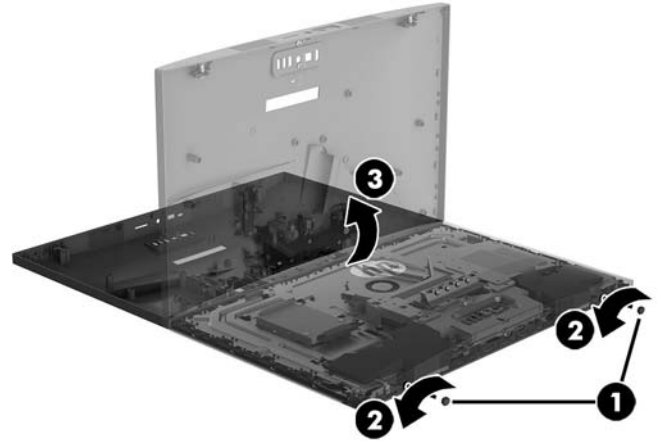
1. Disconnect the power cord and all attached cables from the back of the computer.
2. Using caution, lay the computer down on a flat surface covered with a soft cloth.



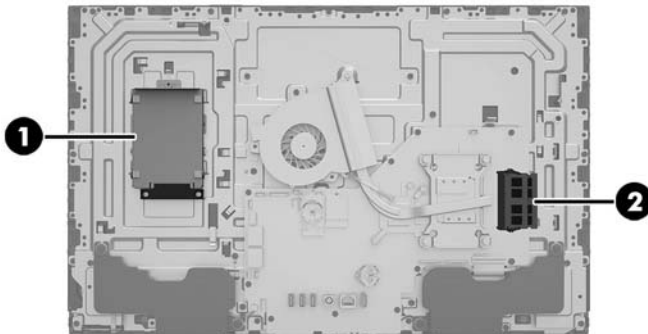
- To remove the stand, rotate it upward (1), remove the four hex screws (2), and then lift the stand up and off the computer (3).



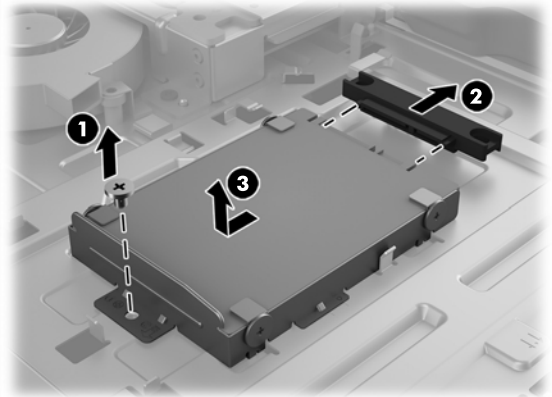
- To remove the rear cover, remove the two screw covers (1) and two Phillips screws (2) located in the bottom of the cover. Lift off the cover, and then place it upside down next to the computer (3). The webcam cable connects the webcam installed in the rear cover to the system board.



- Locate the hard drive:
  - Hard drive
  - Memory modules



- Remove the Phillips screw that secures the drive cage (1), pull the cable away from the hard drive (2), and then remove the drive cage from the computer (3).

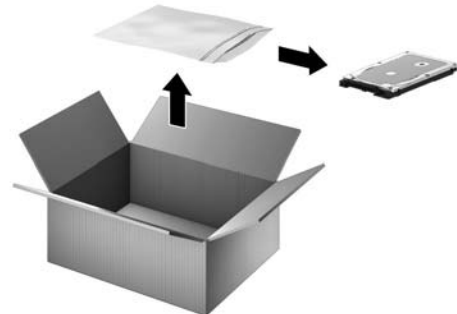


- To remove the drive from the drive cage, remove the four Phillips screws from the sides of the cage (1), and then slide the drive out of the drive cage (2).
 

**NOTE:** Be sure to note the orientation of the hard drive (which side is up and the position of the cable connector) before removing from the drive from the hard drive cage.

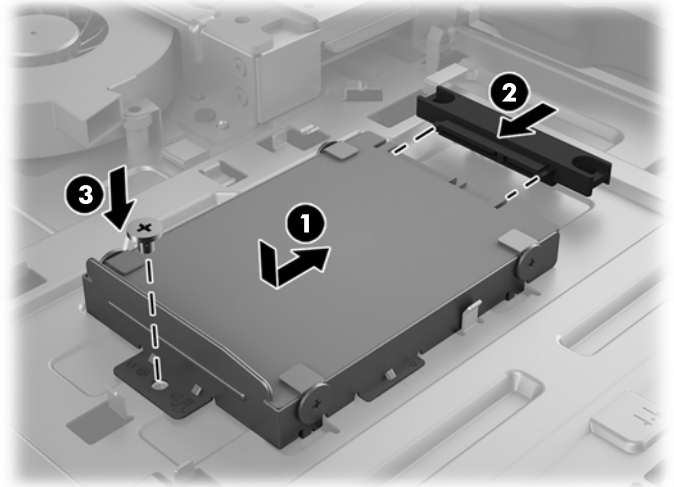


- Touch the replacement hard drive bag to the metal of the computer, and then remove the replacement hard drive from the bag.

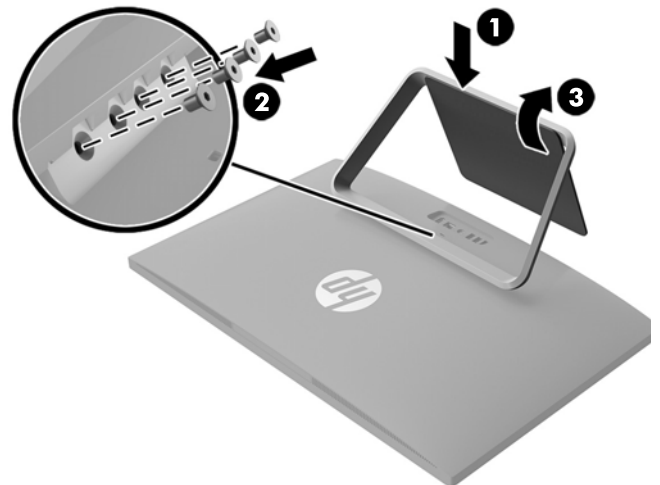
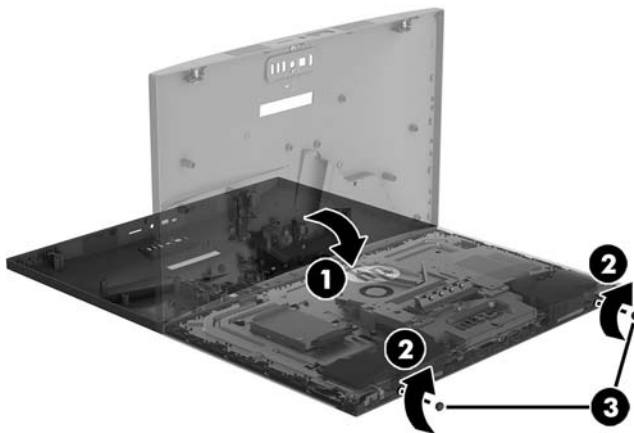


## Replacing the hard drive

1. Orient the hard drive to match the orientation of the old hard drive—that is, which side is up and the position of the connector. Slide the hard drive into the drive cage (1), and then replace the four Phillips screws (2).
2. Insert the drive cage into the computer and slide the drive until seated (1). Attach the cable to the drive (2), and then replace the Phillips screw (3).



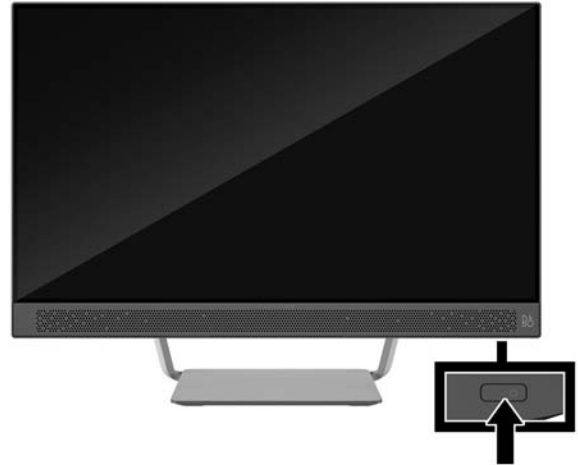
3. Align the rear cover with the computer and press it down until it snaps into place (1). Replace the two Phillips screws (2), and then replace the screw covers (3).
4. Position the top of the stand on the computer (1), and then replace the four hex screws (2). Rotate the stand downward (3).



5. Plug the power cord and any additional cables into the back of the computer.



6. Press the power button to turn on the computer.



## System recovery

**NOTE:** If your hard drive was shipped without an operating system (image) installed, you must reinstall the operating system using the system recovery discs. To install the operating system, refer to the instructions included with your system recovery discs, or for U.S. product support, go to <http://www.hp.com/go/contactHP>.

For worldwide product support, go to [http://welcome.hp.com/country/us/en/wwcontact\\_us.html](http://welcome.hp.com/country/us/en/wwcontact_us.html).

**IMPORTANT: Do not turn off the computer during the initial setup process. Please allow the process to complete to ensure that everything that is necessary to operate the computer is installed properly. The system recovery process takes approximately 3 hours. When system recovery is complete, the computer reboots and the Windows Setup screen is displayed.**

After the setup has been completed, you must reinstall any applications that were on the old hard drive and restore any data that you backed up. If you need further assistance, please call 1-800-474-6836 (1-800-HP Invent) if in the U.S. For worldwide product support, see <http://welcome.hp.com/country/w1/en/support.html>.

If your hard drive was shipped with an operating system (image) installed, system recovery disks are not required for setup. Turn on the computer and allow the initial startup process to completely set up the operating system.

**IMPORTANT: Do not turn off the computer during the initial startup process. Please allow the startup process to complete to ensure that everything that is necessary to operate the computer is installed properly.**

After the setup has been completed, you must reinstall any applications that were on the old hard drive and restore any data that you backed up. If you need further assistance, please call 1-800-474-6836 (1-800-HP Invent) if in the U.S. For worldwide product support, see <http://welcome.hp.com/country/w1/en/support.html>.

© Copyright 2016 HP Development Company, L.P.

The information contained herein is subject to change without notice. The only warranties for HP products and services are set forth in the express warranty statements accompanying such products and services. Nothing herein should be construed as constituting an additional warranty. HP shall not be liable for technical or editorial errors or omissions contained herein.

First Edition: May 2016

PRINTER: Replace this box with Printed-In (PI) Statement(s) as per spec.

NOTE: This box is simply a placeholder. PI Statement(s) do not have to fit inside the box but should be placed in this area.

