

# Optical Drive Replacement Instructions



904514-001



## Before you begin

Observe the following requirements before removing and replacing the optical drive.

**WARNING:** Never open the cover while the power cord is attached. You might damage your computer or be injured by the spinning fan blades.

**WARNING:** Avoid touching sharp edges inside the computer.

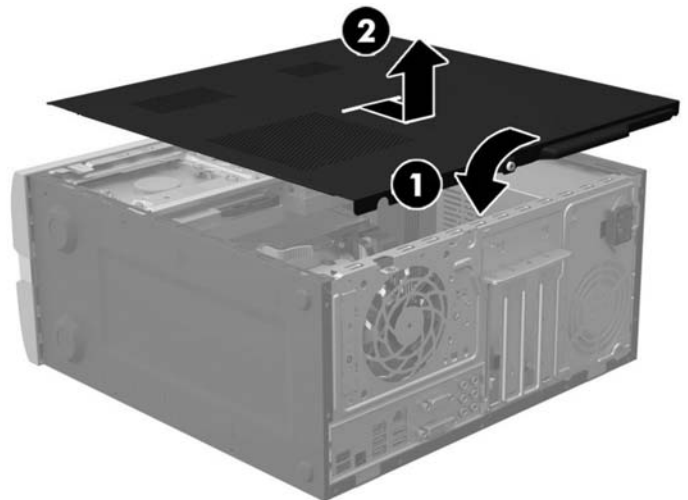
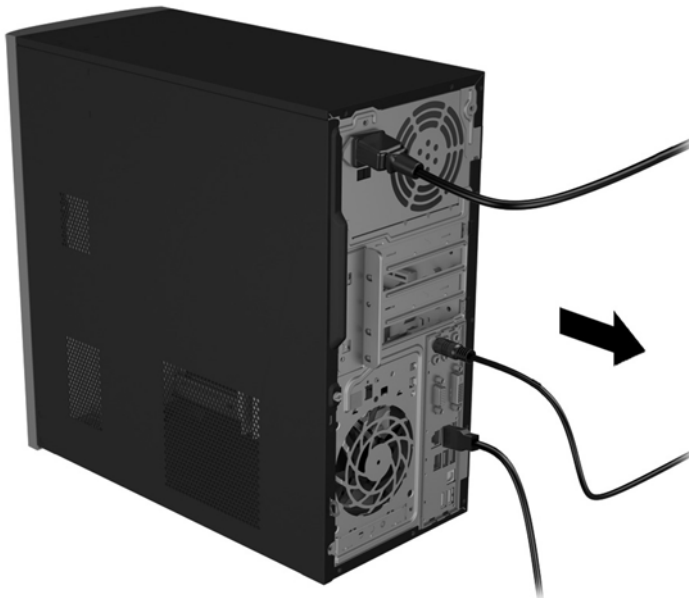
**CAUTION:** Static electricity can damage the electronic components inside the computer. Discharge static electricity by touching the metal cage of the computer before touching any internal parts or electronic components.

## Tools needed

Phillips #2 screwdriver

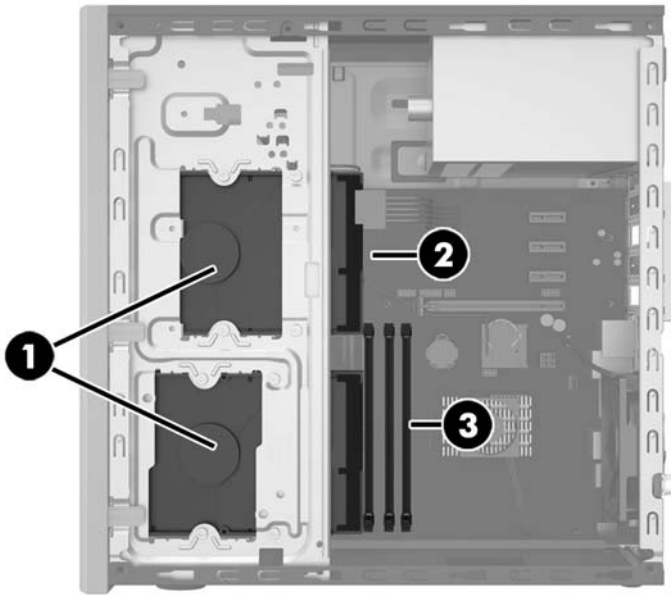
## Removing the optical drive

1. Disconnect the power cord and all attached cables from the back of the computer.
2. To remove the access panel, loosen the captive Phillips screw (1), slide the access panel back, and lift it off the computer (2).

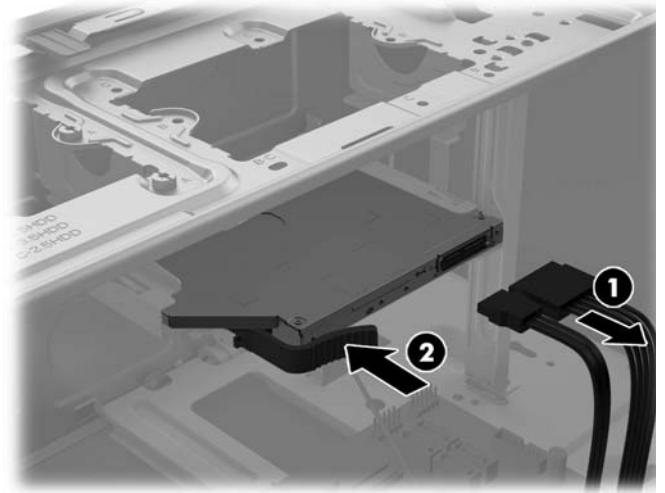


3. Locate the optical drive:

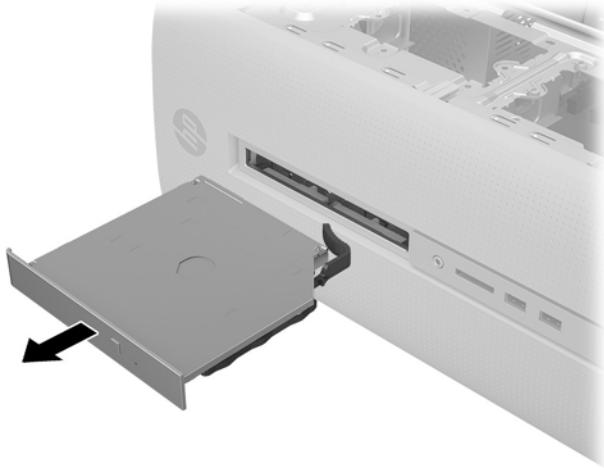
1. Hard drive
- 2. Optical drive**
3. Memory modules



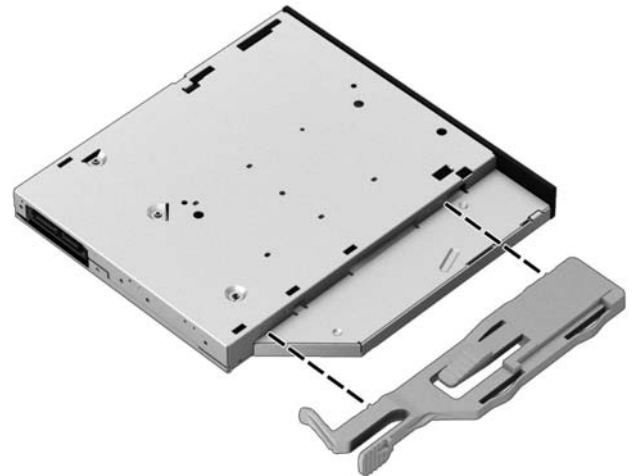
4. Disconnect the data and power cables from the rear of the drive (1), and then push the green release latch toward the center of the drive (2).



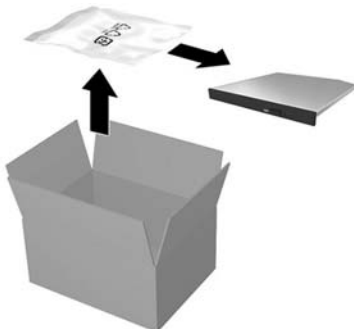
5. Pull the drive out through the front bezel.



6. Remove the latch by pulling it away from the drive.

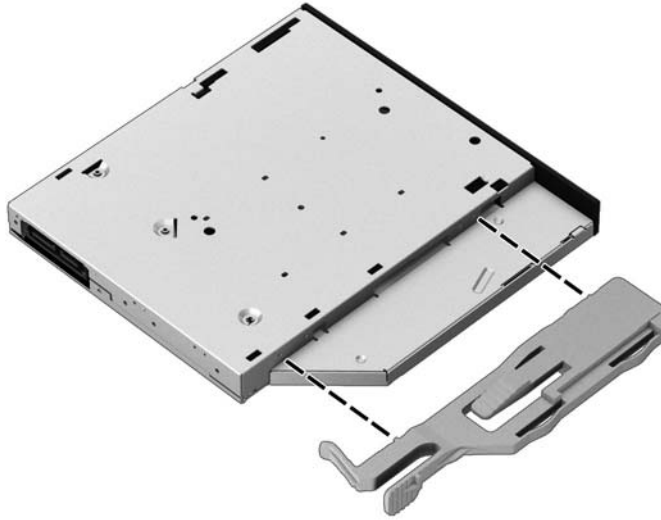


7. Touch the replacement optical drive bag to the metal of the computer, and then remove the replacement optical drive from the bag.

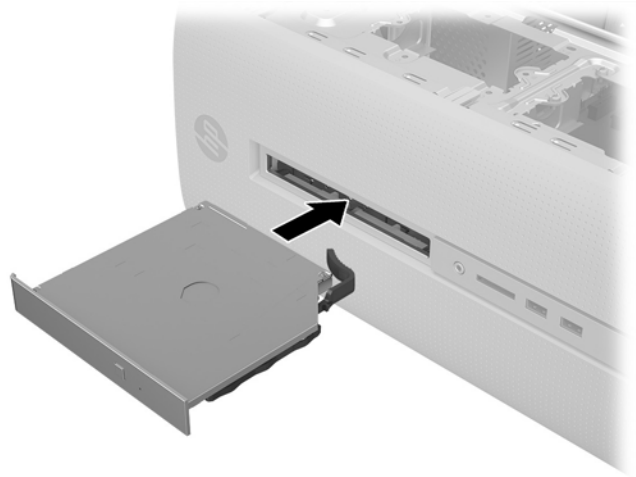


## Replacing the optical drive

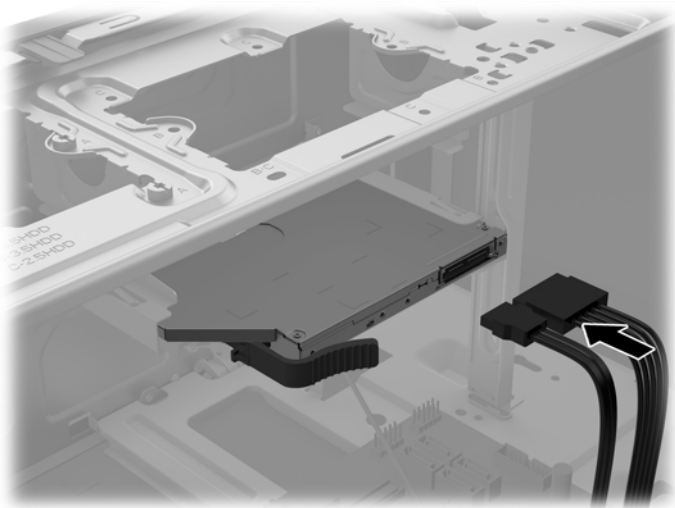
1. You must attach the release latch before installing the new optical drive. Carefully align the holes on the release latch with the pins on the side of the optical drive. Press the entire release latch firmly to fasten the latch securely to the optical drive.



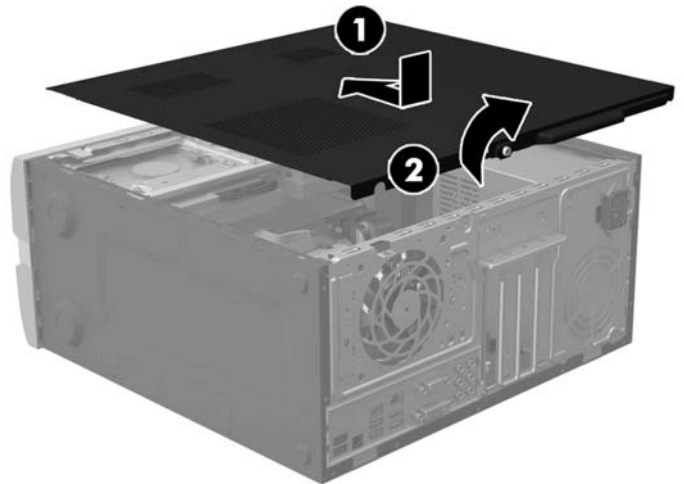
2. Slide the optical drive through the front bezel until it locks in place.



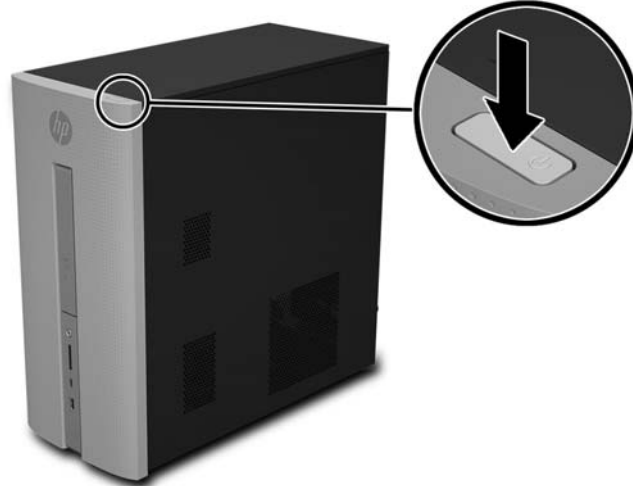
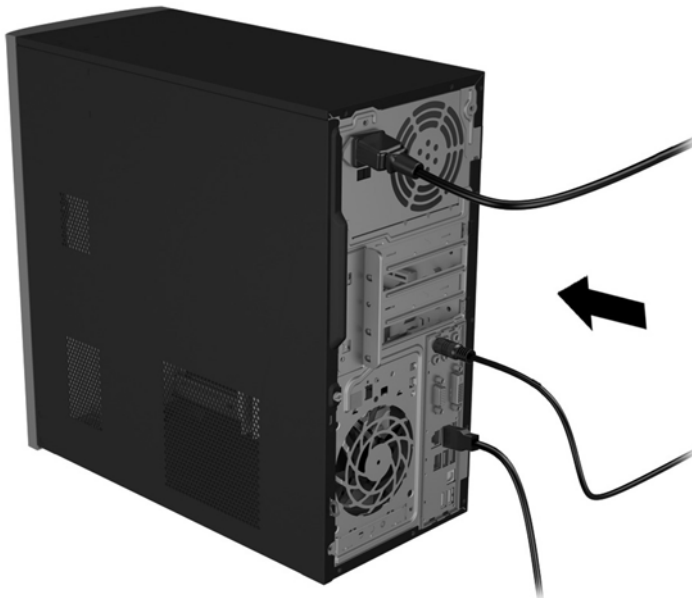
3. Connect the power and data cables to the rear of the drive.



4. Position the access panel on the computer, and then slide it into place (1). Tighten the screw on the rear of the cover (2).



5. Plug the power cord and any additional cables into the back of the computer.
6. Press the power button to turn on the computer.



© Copyright 2016 HP Development Company, L.P.  
The information contained herein is subject to change without notice. The only warranties for HP products and services are set forth in the express warranty statements accompanying such products and services. Nothing herein should be construed as constituting an additional warranty. HP shall not be liable for technical or editorial errors or omissions contained herein.

First Edition: August 2016

**PRINTER:** Replace this box with Printed-In (PI) Statement(s) as per spec.

**NOTE:** This box is simply a placeholder. PI Statement(s) do not have to fit inside the box but should be placed in this area.

