

Hardware Reference Guide

OMEN X

© Copyright 2016 HP Development Company, L.P.

Bluetooth is a trademark owned by its proprietor and used by HP Inc. under license.

The information contained herein is subject to change without notice. The only warranties for HP products and services are set forth in the express warranty statements accompanying such products and services. Nothing herein should be construed as constituting an additional warranty. HP shall not be liable for technical or editorial errors or omissions contained herein.

Second Edition: November 2016

First Edition: August 2016

Document Part Number: 908390-002

Product notice

This guide describes features that are common to most models. Some features may not be available on your computer.

Software terms

By installing, copying, downloading, or otherwise using any software product preinstalled on this computer, you agree to be bound by the terms of the HP End User License Agreement (EULA). If you do not accept these license terms, your sole remedy is to return the entire unused product (hardware and software) within 14 days for a full refund subject to the refund policy of your seller.

For any further information or to request a full refund of the computer, please contact your local point of sale (the seller).

About this book






-  **WARNING!** Indicates a hazardous situation that, if not avoided, **could** result in death or serious injury.
 -  **CAUTION:** Indicates a hazardous situation that, if not avoided, **could** result in minor or moderate injury.
 -  **IMPORTANT:** Indicates information considered important but not hazard-related. A notice alerts the user that failure to follow a procedure exactly as described could result in loss of data or in damage to hardware or software. Also contains essential information to explain a concept or to complete a task.
 -  **NOTE:** Contains additional information to emphasize or supplement important points of the main text.
 -  **TIP:** Provides helpful hints for completing a task.
-

Table of contents

1 Product features	1
Front	2
Color zones	3
Right	4
Back	6
Bottom	7
2 Hardware upgrades	8
Warnings and cautions	8
Preparing for disassembly	8
Accessing the tool kit	9
Replacing or installing drives	10
Installing a drive	10
Removing a drive	14
Drive security	17
Removing and replacing the access panel	18
Installing system memory	19
Populating DIMM sockets	19
Replacing or installing DIMMs	20
Installing and removing an optical drive	22
Installing an optical drive	22
Removing an optical drive	23
Installing graphics cards	24
Removing the PCI fan	26
Installing a system board	28
Removing the hard drive fan	29
Installing a power supply	30
Installing a radiator bracket for liquid cooling	33
Cleaning filters	34
Appendix A Electrostatic discharge	35
Preventing electrostatic damage	35
Grounding methods	35
Appendix B Computer operating guidelines and routine care	36

Appendix C Accessibility	37
Supported assistive technologies	37
Contacting support	37
 Index	 38

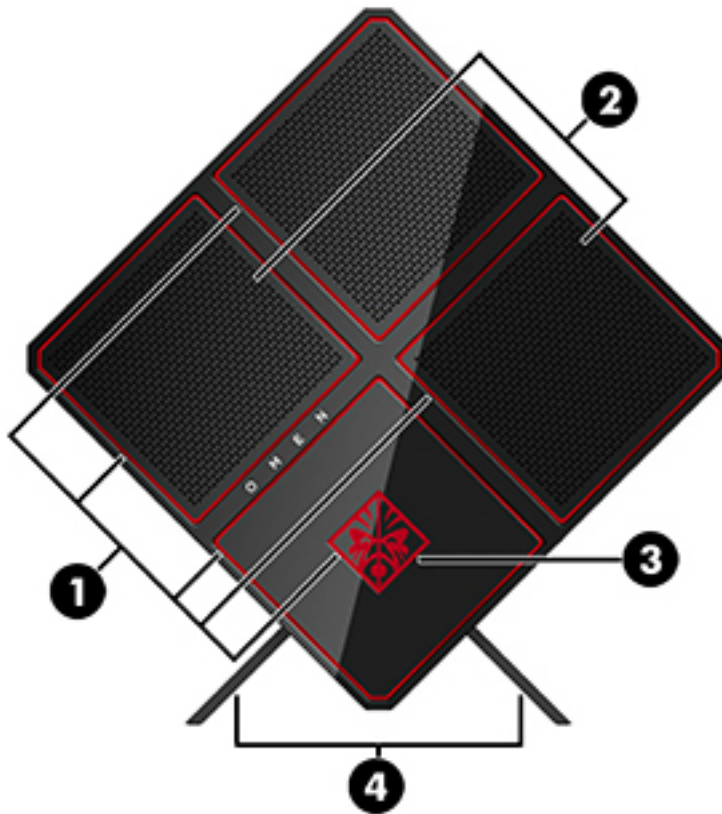
1 Product features

OMEN X is a high performance, customizable, expandable gaming tower.



 **NOTE:** Product colors and features may vary.


Front

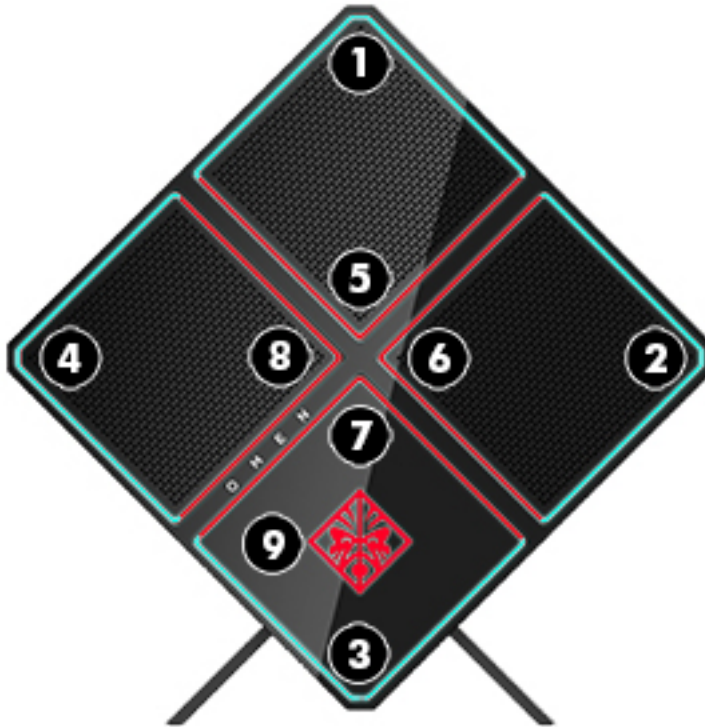


Component	Description
(1) Lighted color zones	Create unique lighting effects on the computer. NOTE: See Color zones on page 3 for more information.
(2) Vents (2)	Enable airflow to cool internal components. NOTE: The computer fan starts up automatically to cool internal components and prevent overheating. It is normal for the internal fan to cycle on and off during routine operation.
(3) Tool kit (located under the logo panel)	Contains a wrench and screws required to install computer components and graphics card fans. WARNING! To reduce the risk of serious injury or damage to the equipment, do not open the chassis cover of any computer containing a 1300 W PSU. To determine if you have a 600 W or 1300 W PSU, refer to the label on the back of the computer.
(4) Stand	Holds the computer in an upright position.

Color zones

The computer includes nine programmable lighted color zones that allow you to create unique lighting effects. With OMEN Control, you can customize the colors of each zone or group of zones.

 **NOTE:** When you first set up your computer, all of the color zones are red.



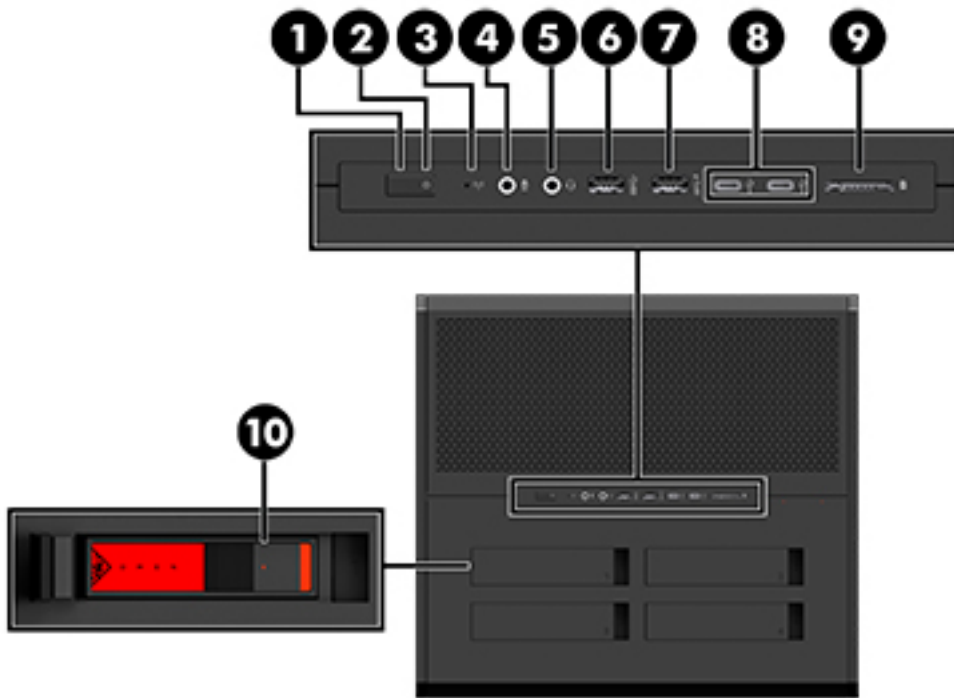
There are four color effects that you can customize in OMEN Control:


- Steady color—Customize the brightness and color of the lighting for each of the nine color zones.
- Color show—Customize two to four color groups for all of the color zones. The colors will transition from one group to another after a set time period.
- Audio show—Set lighting brightness to respond to the audio output frequency.
- Off—Turn off lighting in all color zones.

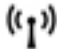


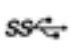
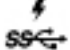
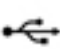

To open OMEN Control and customize the lighting effects:

- ▲ Select the **Start** button, select **All apps**, and then select **OMEN Control**.

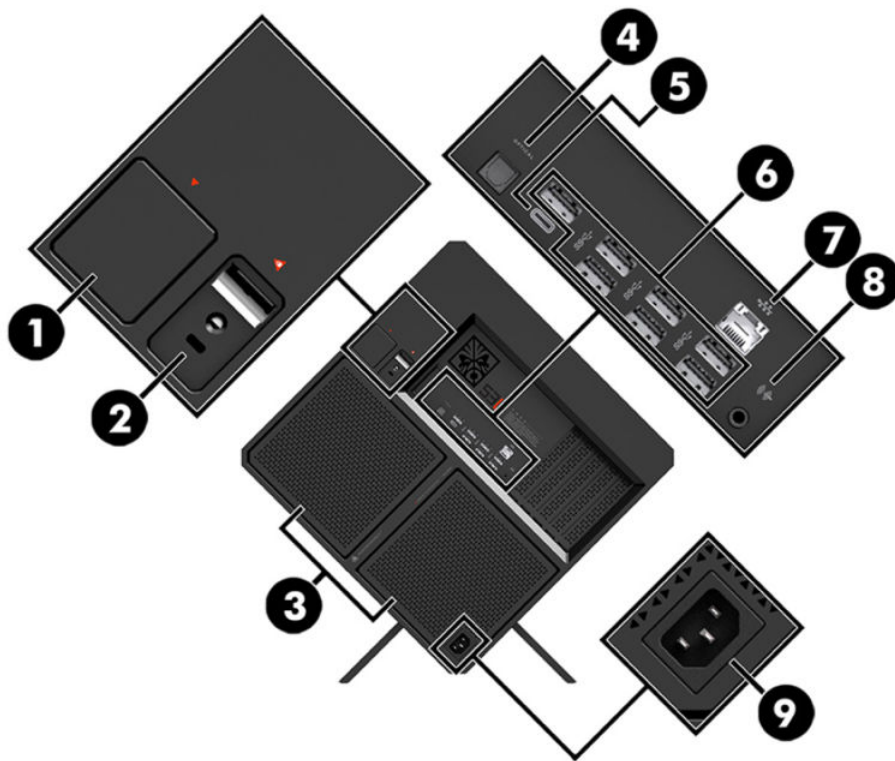
Right








Component	Description
(1)  Power button	<ul style="list-style-type: none"> • When the computer is off, press the button to turn on the computer. • When the computer is on, press the button briefly to initiate Sleep. • When the computer is in the Sleep state, press the button briefly to exit Sleep. • When the computer is in Hibernation, press the button briefly to exit Hibernation. <p>CAUTION: Pressing and holding down the power button results in the loss of unsaved information.</p> <p>If the computer has stopped responding and shutdown procedures are ineffective, press and hold the power button down for at least 5 seconds to turn off the computer.</p> <p>To learn more about your power settings, see your power options.</p> <p>▲ Type power in the taskbar search box, and then select Power and sleep settings.</p> <p>– or –</p> <p>Right-click the Start button, and then select Power Options.</p>
(2) Power light	<ul style="list-style-type: none"> • On: The computer is on. • Blinking: The computer is in the Sleep state, a power-saving state. The computer shuts off power to the display and other unneeded components. • Off: The computer is off or in Hibernation. Hibernation is a power-saving state that uses the least amount of power.

Component	Description
(3) 	<p>Wireless light</p> <ul style="list-style-type: none"> On: An integrated wireless device, such as a wireless local area network (WLAN) device and/or a Bluetooth® device, is on. Off: All integrated wireless devices are off. <p>NOTE: On some products, the wireless light is amber when all wireless devices are off.</p>
(4) 	<p>Audio-in (microphone) jack</p> <p>Connects an optional computer headset microphone, stereo array microphone, or monaural microphone.</p>
(5) 	<p>Audio-out (headphone)/ Audio-in (microphone) combo jack</p> <p>Connects optional powered stereo speakers, headphones, earbuds, a headset, or a television audio cable. Also connects an optional headset microphone. This jack does not support optional standalone microphones.</p> <p>WARNING! To reduce the risk of personal injury, adjust the volume before putting on headphones, earbuds, or a headset. For additional safety information, refer to the <i>Regulatory, Safety, and Environmental Notices</i>.</p> <p>To access this guide:</p> <ul style="list-style-type: none"> Select the Start button, select All apps, select HP Help and Support, and then select HP Documentation. <p>NOTE: When a device is connected to the jack, the computer speakers are disabled.</p>
(6) 	<p>USB 3.0 port</p> <p>Connects an optional USB device, such as a keyboard, mouse, external drive, printer, scanner or USB hub.</p>
(7) 	<p>USB 3.0 charging (powered) port</p> <p>Connects an optional USB device, such as a keyboard, mouse, external drive, printer, scanner or USB hub. Standard USB ports will not charge all USB devices or will charge using a low current. Some USB devices require power and require you to use a powered port.</p> <p>NOTE: USB charging ports can also charge select models of cell phones and MP3 players, even when the computer is off.</p>
(8) 	<p>USB Type-C ports (2)</p> <p>Connect USB devices with a Type-C connector.</p>
(9) 	<p>Memory card reader</p> <p>Reads optional memory cards that enable you to store, manage, share, or access information.</p> <p>To insert a card:</p> <ol style="list-style-type: none"> Hold the card label-side up, with connectors facing the computer. Insert the card into the memory card reader, and then press in on the card until it is firmly seated. <p>To remove a card:</p> <ul style="list-style-type: none"> Press in on the card, and then remove it from the memory card reader.
(10)	<p>Drive cage latch</p> <p>Locks the drive cage.</p>

Back



Component	Description
(1)	Side panel release latch
(2)	 Security cable slot
(3)	Vents (2)
(4)	Optical out connector
(5)	 USB Type-C SuperSpeed port (select products only)
(6)	 USB 3.x ports (6 or 7 depending on product)
(7)	 RJ-45 (network) jack/status lights
(9)	

WARNING! To reduce the risk of serious injury or damage to the equipment, do not open the chassis cover of any computer containing a 1300 W PSU. To determine if you have a 600 W or 1300 W PSU, refer to the label on the back of the computer.

NOTE: The security cable is designed to act as a deterrent, but it may not prevent the computer from being mishandled or stolen.

NOTE: The computer fan starts up automatically to cool internal components and prevent overheating. It is normal for the internal fan to cycle on and off during routine operation.

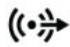

Connects digital speakers (purchased separately).

Connects and charges a USB device that has a Type-C connector, such as a cell phone, camera, activity tracker, or smartwatch, and provides high-speed data transfer.

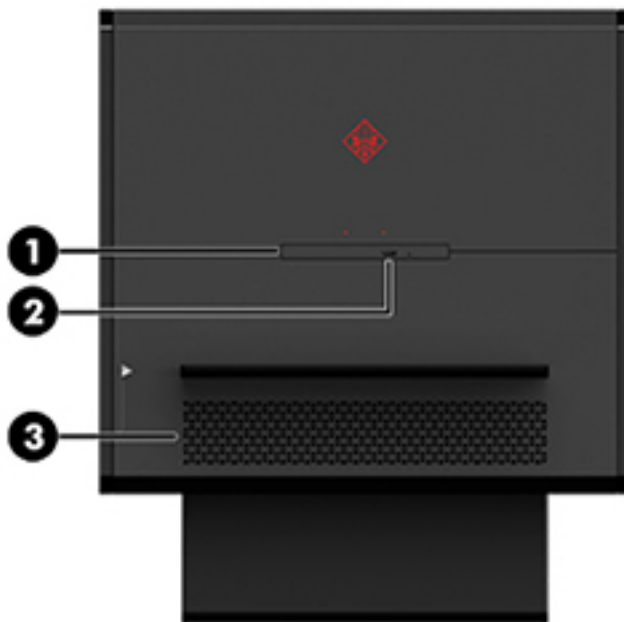
Connect optional USB devices, such as a keyboard, mouse, external drive, printer, scanner or USB hub.

Connects a network cable.

- White: The network is connected.
- Amber: Activity is occurring on the network.

Component	Description
<p>(8)  Audio-out (headphone) jack</p>	<p>Connects optional powered stereo speakers, headphones, earbuds, a headset, or a television audio cable.</p> <p>WARNING! To reduce the risk of personal injury, adjust the volume before using headphones, earbuds, or a headset. For additional safety information, see the <i>Regulatory, Safety and Environmental Notices</i>.</p> <p>To access this guide:</p> <ul style="list-style-type: none"> ▲ Select the Start button, select All apps, select HP Help and Support, and then select HP Documentation. <p>NOTE: When a device is connected to a headphone jack, the computer speakers are disabled.</p>
<p>(9)  Power connector</p>	<p>Connects an AC power cord.</p>

Bottom



Component	Description
<p>(1) Optical drive</p>	<p>Depending on your computer, reads an optical disc or reads and writes to an optical disc.</p> <p>NOTE: For disc compatibility information, type <code>help</code> in the taskbar search box, select Help and Support, and then type <code>disc compatibility</code> in the search box.</p>
<p>(2) Optical drive eject button</p>	<p>Releases the optical disc drive tray.</p>
<p>(3) Vent</p>	<p>Enables airflow to cool internal components.</p> <p>NOTE: The computer fan starts up automatically to cool internal components and prevent overheating. It is normal for the internal fan to cycle on and off during routine operation.</p>

2 Hardware upgrades

Warnings and cautions

Before performing upgrades, be sure to carefully read all of the applicable instructions, cautions, and warnings.


 **WARNING!** To reduce the risk of personal injury from electric shock, hot surfaces, or fire:

Unplug the power cord from the AC outlet and allow the internal system components to cool before you touch them.

Do not disable the power cord grounding plug. The grounding plug is an important safety feature.


Plug the power cord into a grounded (earthed) outlet that is easily accessible at all times.

To reduce the risk of serious injury, read the *Safety & Comfort Guide*. It describes proper workstation setup and provides guidelines for posture and work habits that increase your comfort and decrease your risk of injury. It also provides electrical and mechanical safety information. The *Safety & Comfort Guide* is located on the HP website at <http://www.hp.com/ergo>.

 **WARNING!** Energized and moving parts inside.

Disconnect power to the equipment before removing the access panel.


Replace and secure the access panel before re-energizing the equipment.

 **IMPORTANT:** Static electricity can damage the electrical components of the computer or optional equipment. Before beginning the following procedures, ensure that you are discharged of static electricity by briefly touching a grounded metal object. See [Electrostatic discharge on page 35](#) for more information.

Preparing for disassembly

Use the following disassembly steps as necessary, depending on whether you are installing new components or replacing existing components.

1. Remove all removable media, such as a USB flash drive, from the computer.
2. Turn off the computer properly through the operating system, and turn off any external devices.
3. Unplug the power cord from the AC outlet and disconnect any external devices.

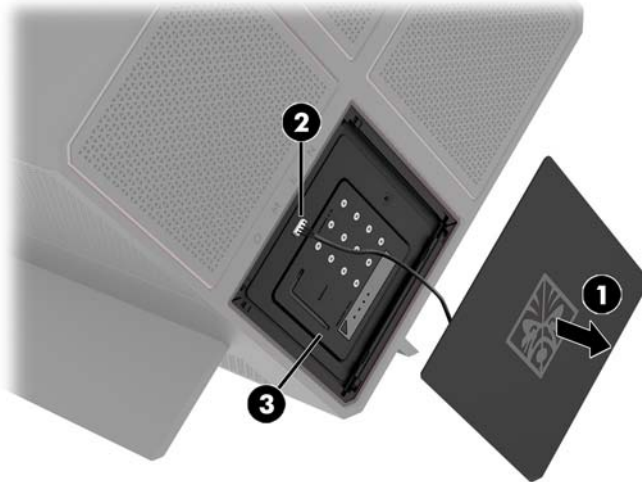
 **IMPORTANT:** When the computer is plugged into an AC power source, voltage is always applied to the system board. To prevent damage to internal components, you must unplug the power cord from the power source before opening the computer.

Accessing the tool kit

The tool kit contains the following:

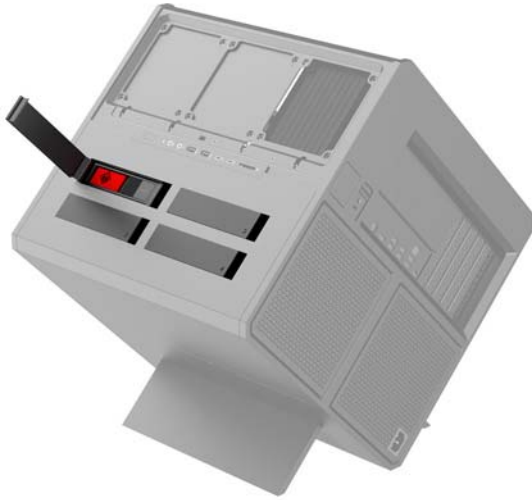
- Hard drive/power supply tool
- Screwdriver/wrench, one side Phillips, one side hex. Hex screws are used on the graphics card and system fans (radiators)
- Screws

Pull the logo cover away from the case **(1)**, and then disconnect the cable from the case **(2)**. The tool kit is located under the logo cover **(3)**.



Replacing or installing drives

The case offers four hard drive bays.



The case supports three different drive types:

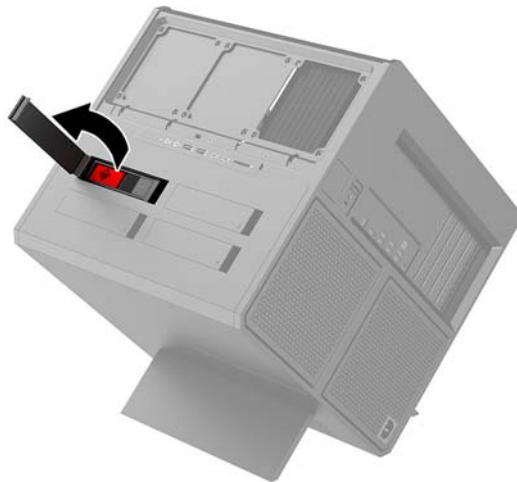
- 3.5 inch hard drive
- 2.5-inch solid-state drive
- U.2 drive



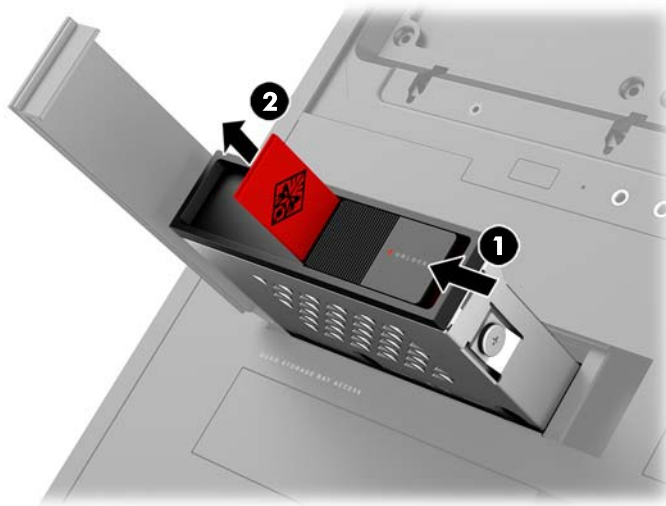
NOTE: U.2 hard drives can be installed only in the upper-right drive bay.

Installing a drive


1. Prepare the computer for disassembly ([Preparing for disassembly on page 8](#)).
2. Pull up on the right side of the hard drive door, and then rotate the door to the left. Note that the door remains connected to the case.

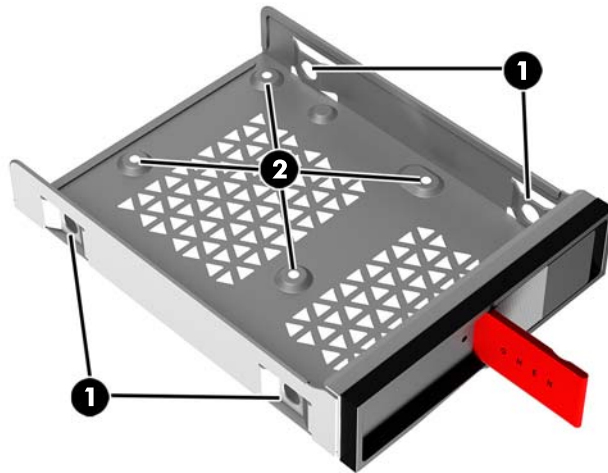


- Slide the drive cage latch to the left **(1)**, and then use the pull tab to pull the drive cage out of the case **(2)**.

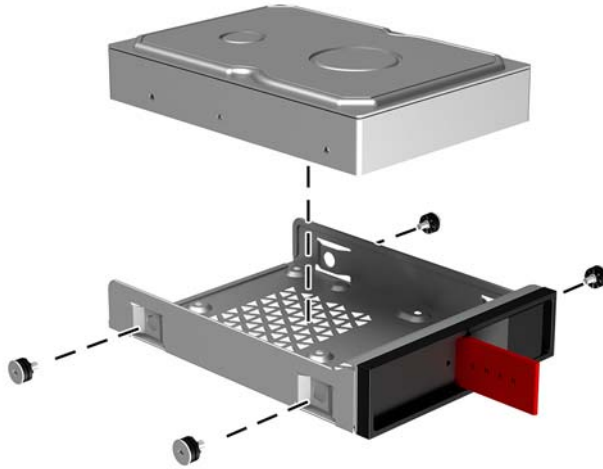


- All drives must be secured into the drive cage using screws. Screw locations are as follows:
 - 3.5-inch hard drive and U.2 drive
 - 2.5-inch solid-state drive

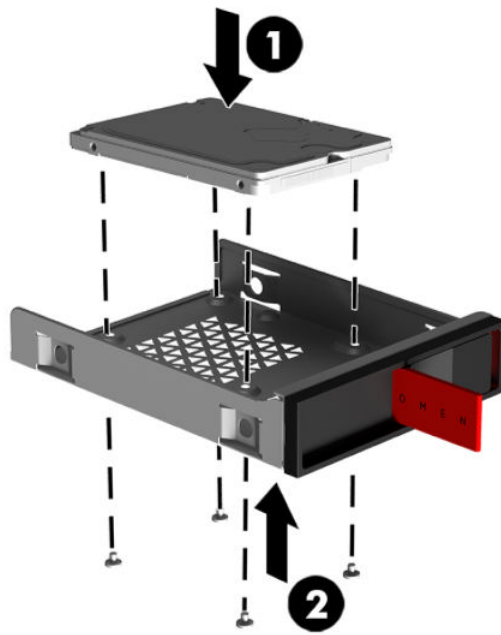
 **NOTE:** Before installing a U.2 drive into the drive cage, you must first install the drive into a drive adapter bracket.



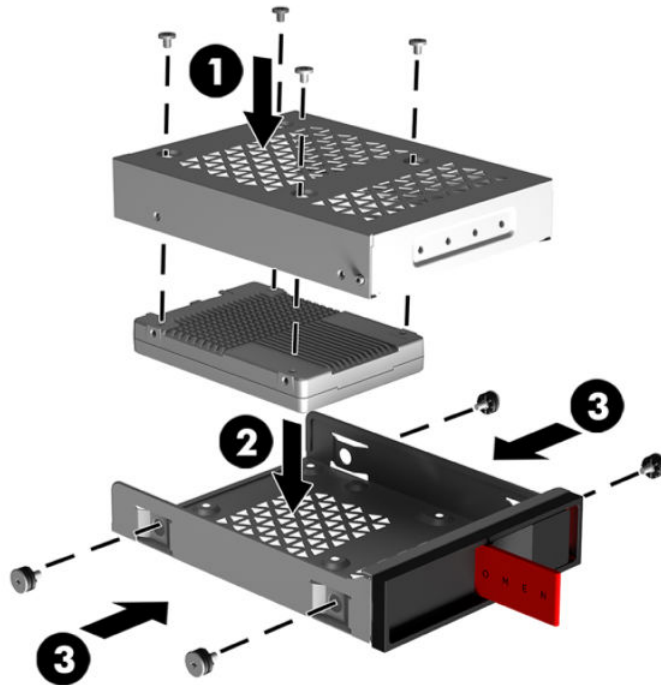
- To install a drive into the drive cage:
 - 3.5-inch hard drive:** Insert the drive into the drive cage, and then install four mounting screws.



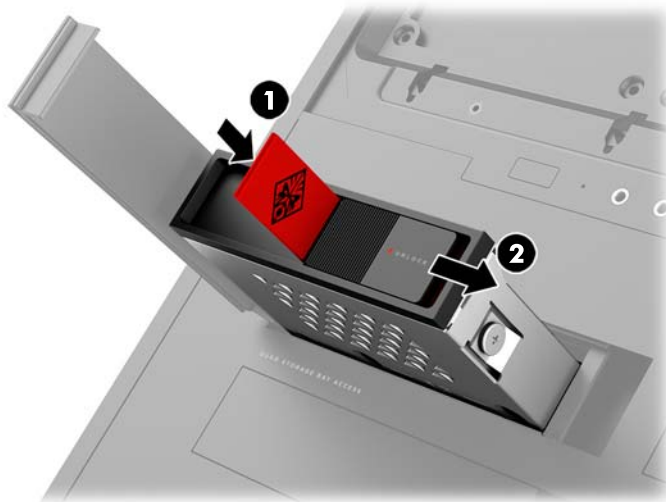
- b. 2.5-inch solid-state drive:** Insert the drive into the drive cage **(1)**, and then install four mounting screws **(2)**.



- c. **U.2 drive:** Insert the drive into the adapter bracket and secure with four screws (1). Insert the adapter bracket assembly into the drive cage (2), and then install four mounting screws (3).



6. Insert the drive cage into the drive bay (1), and then slide the drive cage latch to the right to secure the drive cage (2).



7. Rotate the hard drive door to the right and press down until it snaps into place.

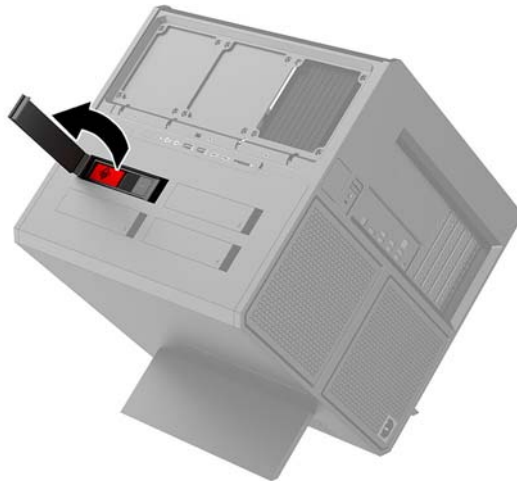


Removing a drive

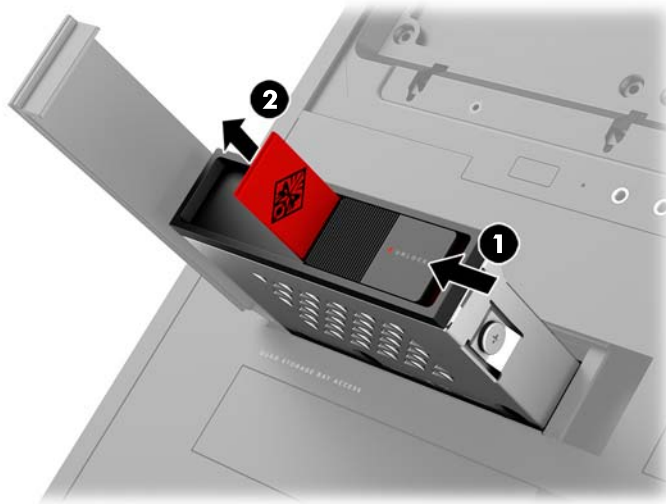


IMPORTANT: Before you remove a hard drive, be sure to back up the data from the hard drive so that you can transfer the data to the new hard drive.

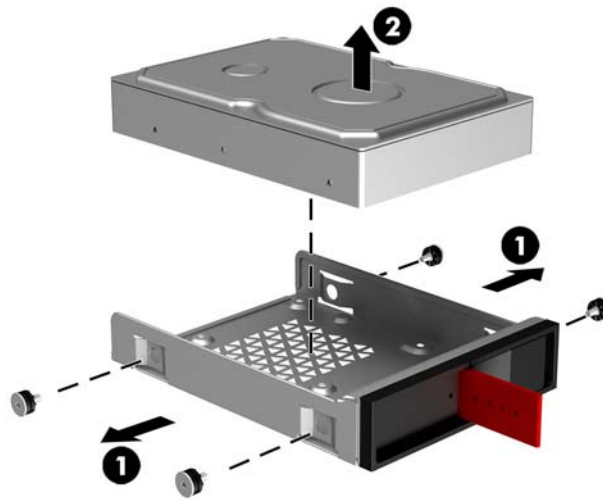
1. Prepare the computer for disassembly ([Preparing for disassembly on page 8](#)).
2. Pull up on the right side of the hard drive door, and then rotate the door to the left. Note that the door remains connected to the case.



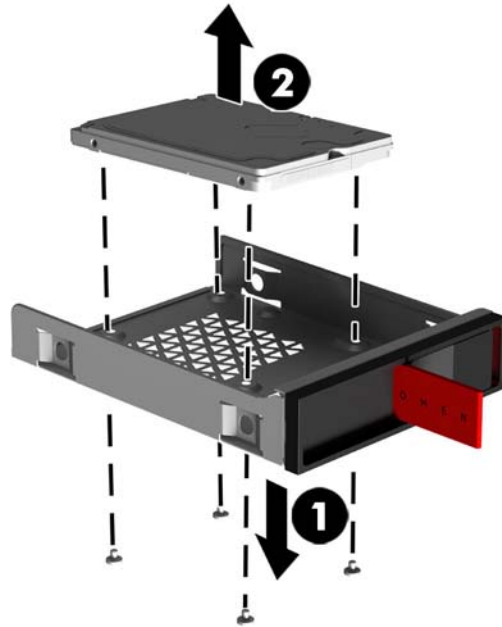
3. Slide the drive cage latch to the left **(1)**, and then use the pull tab to pull the drive cage out of the case **(2)**.



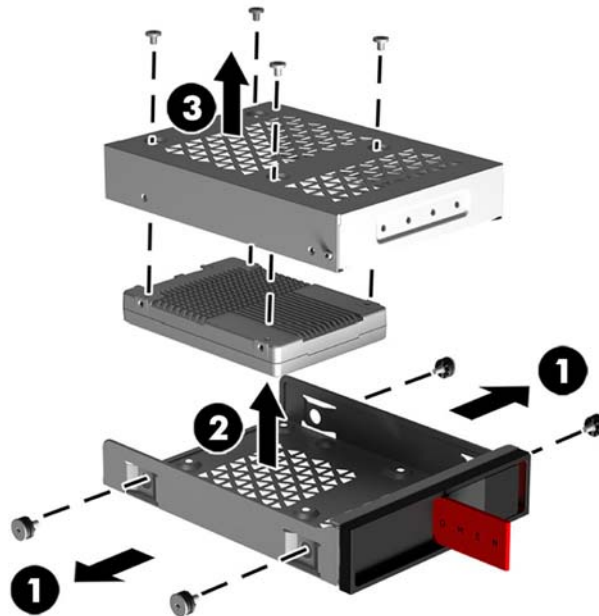
4. To remove a drive from the drive cage:
 - a. **3.5-inch hard drive:** Remove the four mounting screws **(1)** from the sides of the cage, and then lift the drive out of the cage **(2)**.



- b. **2.5-inch solid-state drive:** Remove the four mounting screws from the bottom of the cage (1) and then lift the drive out of the cage (2).



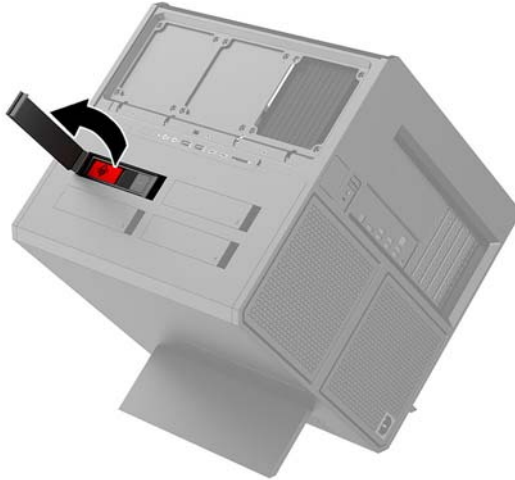
- c. **U.2 drive:** Remove the four mounting screws that secure the drive adapter bracket to the drive cage (1). Lift the adapter bracket out of the drive cage (2), and remove the four screws that secure the drive to the adapter bracket (3). Then remove the drive from the adapter bracket.



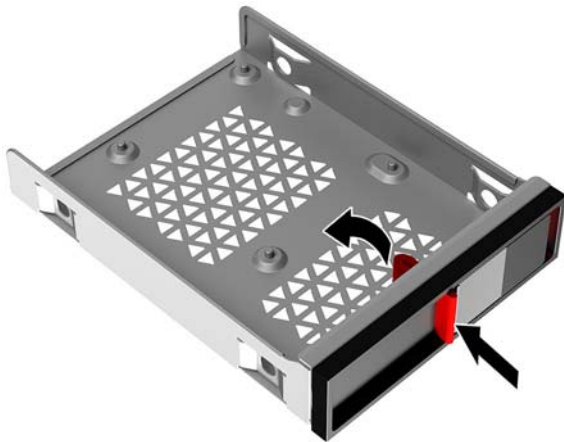
Drive security

You can insert the hard drive pull tab into the drive cage to prevent unauthorized removal of the drive.

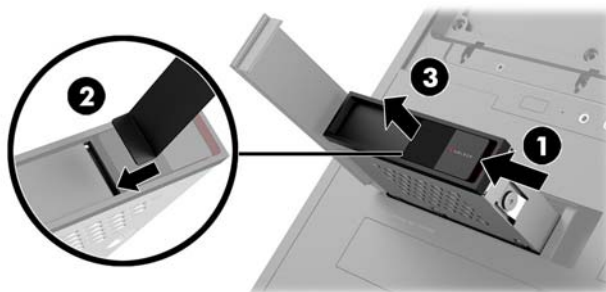
1. Pull up on the right side of the hard drive door, and then rotate the door to the left. Note that the door remains connected to the case.



2. From the outside of the drive cage, insert the pull tab into the drive cage until it is not accessible from the outside of the drive cage.



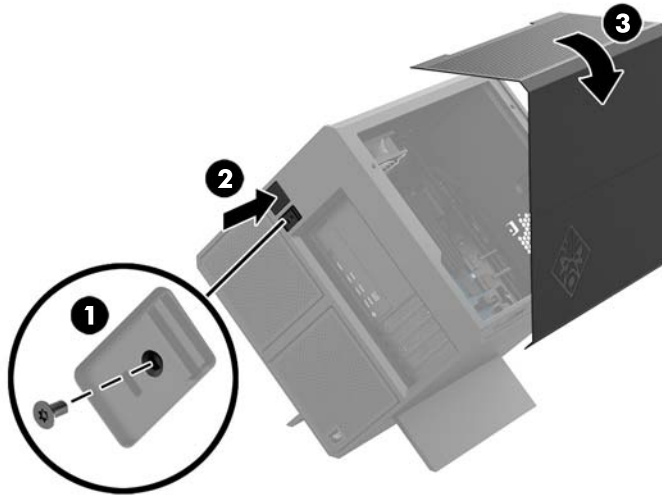
3. To remove a hard drive when the pull tab is not accessible, slide the drive cage latch to the left (1), insert the security tool from the tool kit ([Accessing the tool kit on page 9](#)) into the drive cage (2), and then pull the cage out of the computer (3).



Removing and replacing the access panel

To access internal components, you must remove the access panel:

1. Prepare the computer for disassembly ([Preparing for disassembly on page 8](#)).
2. If a Phillips screw is installed to lock the access panel, remove the screw **(1)**.
3. Press the release button **(2)**, and then rotate the access panel off the computer **(3)**.



To replace the access panel, reverse the removal procedures.

Installing system memory


The computer uses double data rate 4 synchronous dynamic random access memory (DDR4-SDRAM) dual inline memory modules (DIMMs). There are four memory sockets on the system board that can be populated with up to 32 GB of memory.

For proper system operation, the DIMMs must be 1.2 volt DDR4-SDRAM DIMMs that adhere to the following specifications:

- Industry-standard 288-pin
- Unbuffered non-ECC PC4-19200 DDR4-2400 MT/s-compliant (downgraded to DDR4-2133)
- Unbuffered non-ECC PC4-17000 DDR4-2133 MT/s-compliant
- Support CAS latency 15 DDR4 2133 MT/s (15-15-15 timing)
- Contain the mandatory Joint Electronic Device Engineering Council (JEDEC) specification

The computer supports the following:

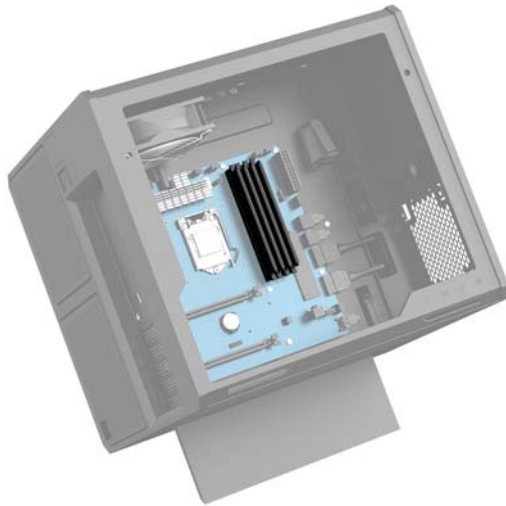
- 512-Mbit, 1-Gbit, 2-Gbit, 4-Gbit, and 8-Gbit non-ECC memory technologies
- Single-sided and double-sided DIMMs

 **NOTE:** The system will not operate properly if you install unsupported DIMMs.

Populating DIMM sockets

There are four DIMM sockets on the system board, with two sockets per channel. The sockets are labeled DIMM1, DIMM2, DIMM3, and DIMM4. The DIMM1 and DIMM3 sockets operate in memory channel A. The DIMM2 and DIMM4 sockets operate in memory channel B.

For improved performance, install memory modules in the following order: DIMM 4-2-3-1. Note that DIMM 1 is the slot closest to the processor.




The system will automatically operate in single-channel mode, dual-channel mode, or flex mode, depending on how the DIMMs are installed.

- The system will operate in single-channel mode if the DIMM sockets are populated in one channel only.
- The system will operate in the higher-performing dual-channel mode if the memory capacity of the DIMM in Channel A is equal to the memory capacity of the DIMM in Channel B.

- The system will operate in flex mode if the memory capacity of the DIMM in Channel A is not equal to the memory capacity of the DIMM in Channel B. In flex mode, the channel populated with the least amount of memory describes the total amount of memory assigned to dual channel and the remainder is assigned to single channel. If one channel will have more memory than the other, the larger amount should be assigned to channel A.
- In any mode, the maximum operational speed is determined by the slowest DIMM in the system.

Replacing or installing DIMMs

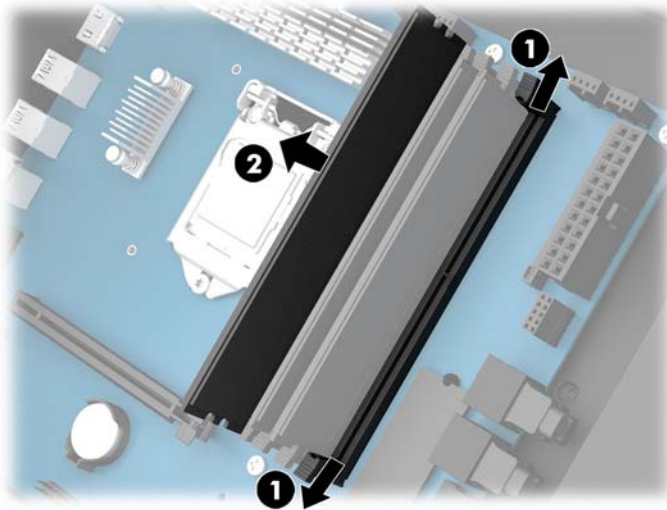
 **IMPORTANT:** You must unplug the power cord and wait approximately 30 seconds for the power to drain before adding or removing memory modules. Regardless of the power-on state, voltage is always supplied to the memory modules as long as the computer is plugged into an active AC outlet. Adding or removing memory modules while voltage is present may cause irreparable damage to the memory modules or system board.

The memory module sockets have gold-plated metal contacts. When upgrading the memory, it is important to use memory modules with gold-plated metal contacts to prevent corrosion and/or oxidation resulting from having incompatible metals in contact with each other.


Static electricity can damage the electronic components of the computer or optional cards. Before beginning these procedures, ensure that you are discharged of static electricity by briefly touching a grounded metal object. For more information, refer to [Electrostatic discharge on page 35](#).

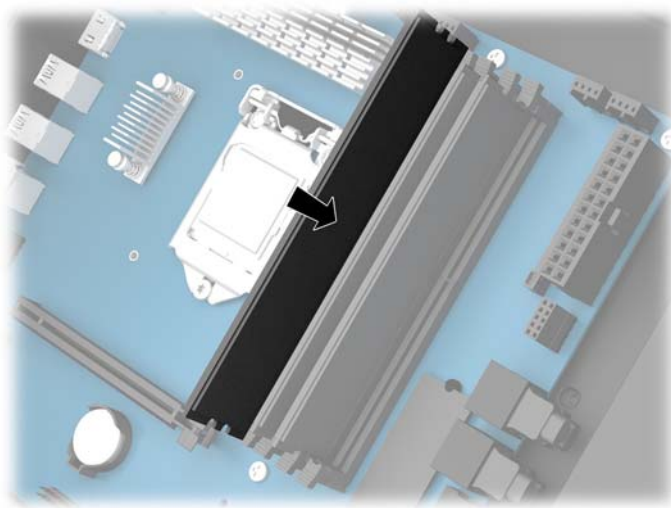
When handling a memory module, be careful not to touch any of the contacts. Doing so may damage the module.

1. Prepare the computer for disassembly ([Preparing for disassembly on page 8](#)).
2. Remove the access panel ([Removing and replacing the access panel on page 18](#)).
3. To remove a DIMM, press outward on one latch on either side of the DIMM **(1)**, and then pull the DIMM out of the socket **(2)**.



4. Insert the memory module into the socket so that the latches lock it in place.

 **NOTE:** A memory module can be installed in only one way. Match the notch on the module with the tab on the memory socket.



5. Replace the access panel.
 6. Reconnect the power cord and any external devices, and then turn on the computer.
- The computer automatically recognizes the additional memory.

Installing and removing an optical drive

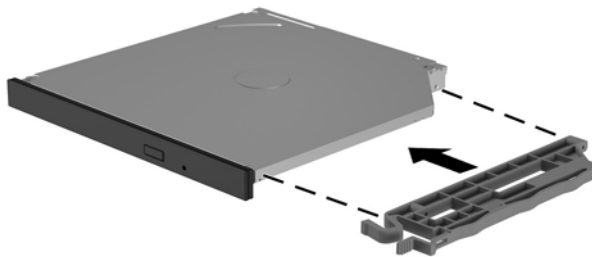
The computer supports only ultra slim 9.5 mm SATA optical drives.

Installing an optical drive

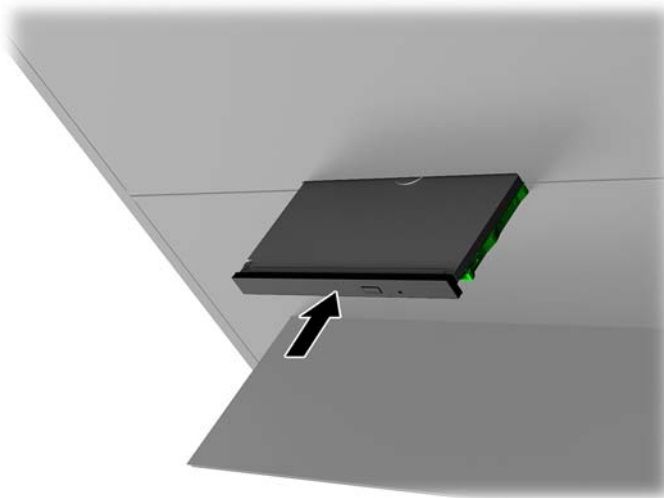
1. Prepare the computer for disassembly ([Preparing for disassembly on page 8](#)).
2. Install the bezel onto the front of the optical drive.



3. Align the two small pins on the release latch with the small holes on the side of the drive, and then press the latch firmly onto the drive.

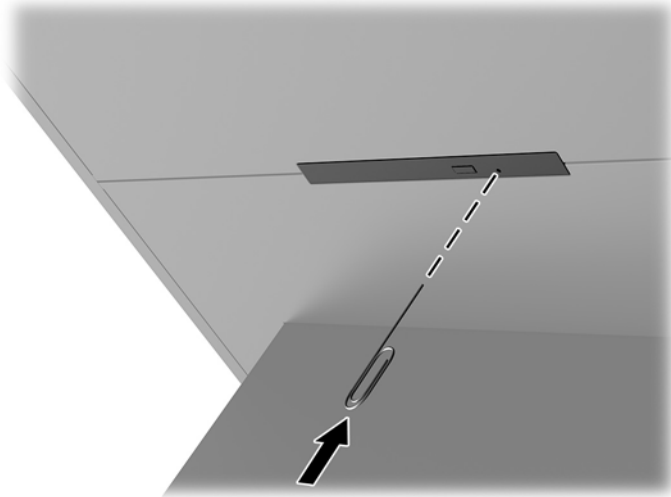


4. Insert the optical drive into the case until it snaps into place.




Removing an optical drive

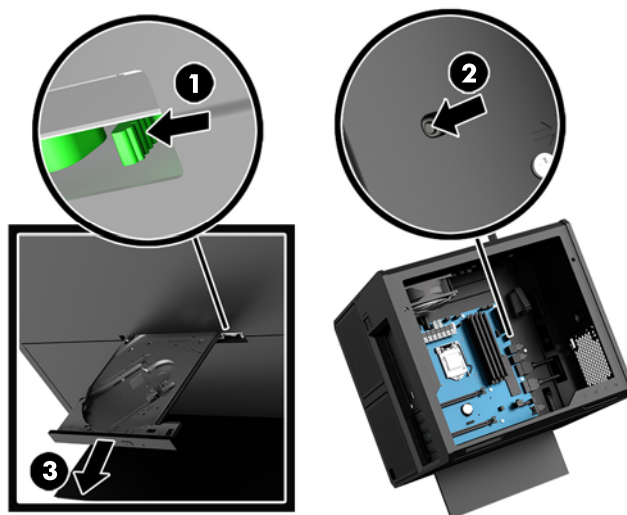
1. Prepare the computer for disassembly ([Preparing for disassembly on page 8](#)).
2. Remove the access panel ([Removing and replacing the access panel on page 18](#)).
3. Eject the optical drive tray by inserting a paper clip into the hole in the optical drive and pressing inward.



4. On the outside of the computer case, insert a screwdriver into the right side of the release latch, and press the latch toward the left **(1)**. Maintain pressure while performing the next step.
5. On the inside of the case, use a pointed tool to press in on the release button **(2)**.

 **NOTE:** The latch on the outside of the case releases the drive, and pressing the release button ejects the drive.

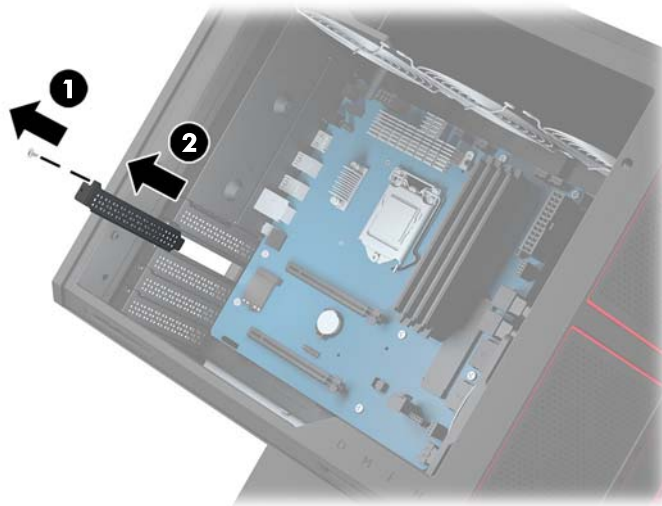
6. Remove the optical drive from the case **(3)**.



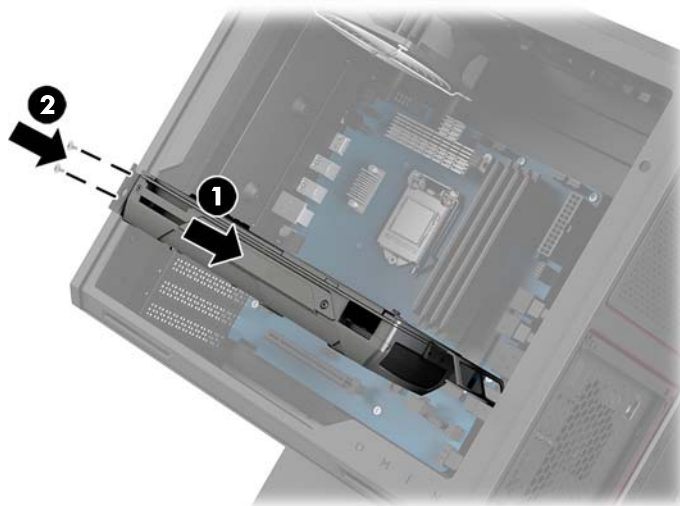
Installing graphics cards

You can install multiple graphics cards and associated fans.

1. Prepare the computer for disassembly ([Preparing for disassembly on page 8](#)).
2. Remove the access panel ([Removing and replacing the access panel on page 18](#)).
3. To install a graphics card:
 - a. Locate the a vacant expansion socket on the system board and the corresponding expansion slot on the back of the case.
 - b. Remove the expansion slot cover by removing the screw at the top of the cover **(1)**, and then lifting the cover out of the case **(2)**.

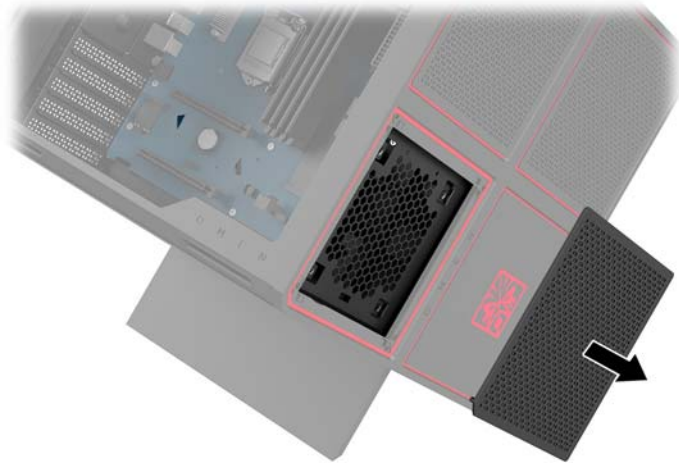


- c. Insert a graphics card into the expansion socket **(1)**.
- d. Install two screws into the left side of the graphics card **(2)**.
- e. Connect any necessary cables to the graphics card.

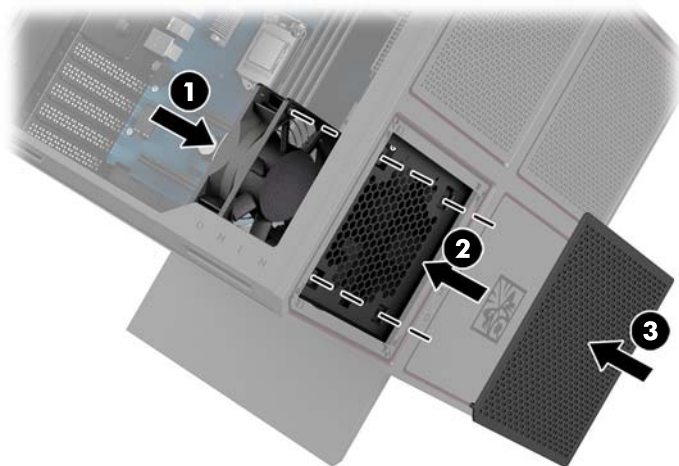


4. To install a graphics card fan:

- a. Remove the cover from the location where you will install the graphics card fan.



- b. From the inside of the case, insert the fan into place on the outer wall **(1)**.
- c. From the outside of the case, install four screws **(2)** with the screwdriver/wrench from the tool kit ([Accessing the tool kit on page 9](#)).
- d. Replace the cover **(3)**.

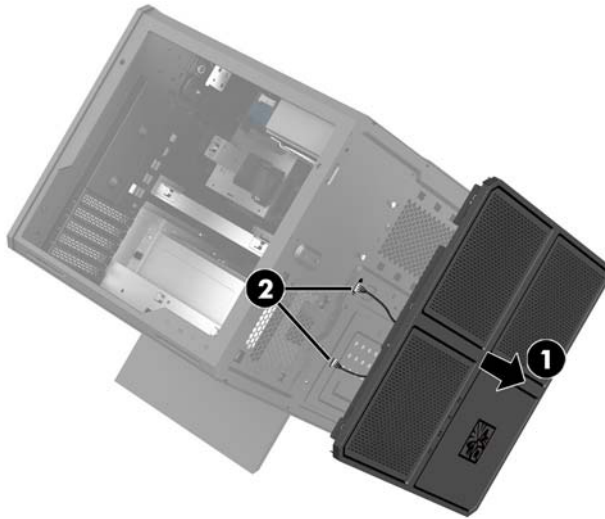


- 5. Replace the access panel.

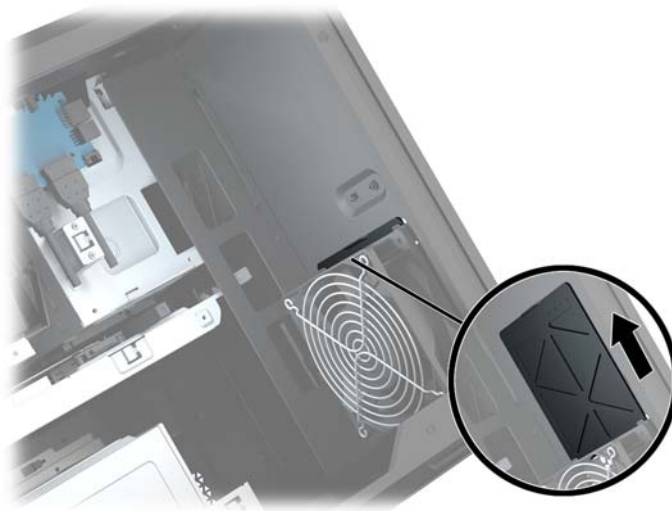
Removing the PCI fan

The PCI fan is secured to the front of the case and provides additional cooling for the graphics cards. You must remove the entire front bezel before you can remove or install the PCI fan.

1. Prepare the computer for disassembly ([Preparing for disassembly on page 8](#)).
2. Remove the access panel ([Removing and replacing the access panel on page 18](#)).
3. To remove the front bezel:
 - a. From the outside of the case, pry the bezel off the case **(1)** far enough to access the cables underneath. Note that there are two cables that connect to the front bezel.
 - b. Disconnect the cables from the case **(2)**.

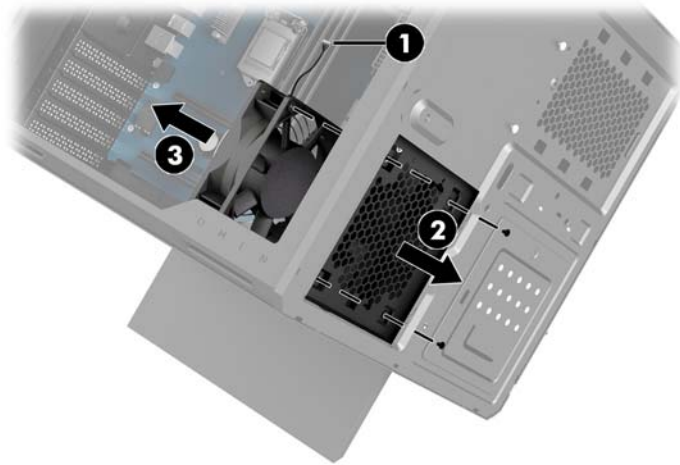


4. Remove the fan filter by sliding the filter out from under the fan.



5. To remove the PCI fan:
 - a. From the inside of the case, disconnect the fan cable from the system board **(1)**.
 - b. From the outside of the case, remove the four screws **(2)** that secure the fan to the case.

- c. Lift the fan out of the case **(3)**.

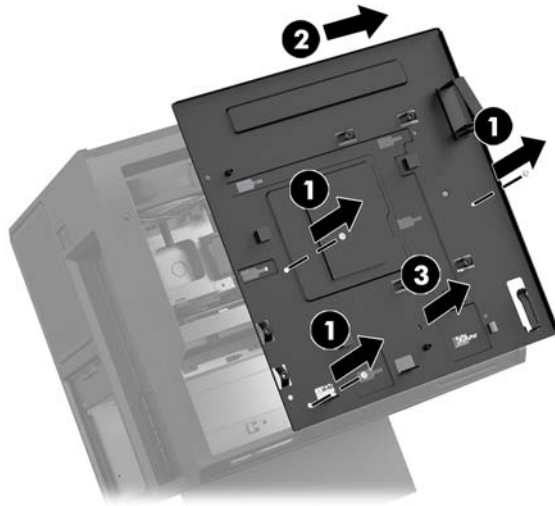


To replace the PCI fan, reverse the removal procedures.

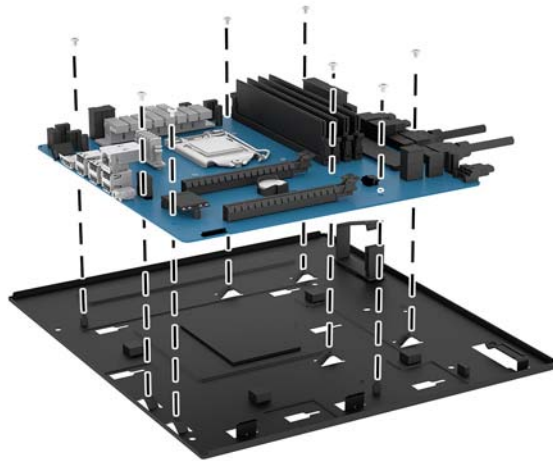
Installing a system board

The system board is secured to a system board tray. You must remove the tray before you can remove or install a system board.

1. Prepare the computer for disassembly ([Preparing for disassembly on page 8](#)).
2. Remove the access panel ([Removing and replacing the access panel on page 18](#)).
3. To remove the system board tray, remove the three screws that secure the tray to the case (**1**), slide the tray to the right (**2**), and then lift the tray out of the case (**3**).



4. To install the system board, position the system board atop the system board tray, and then install the eight screws that secure the system board to the system board tray.

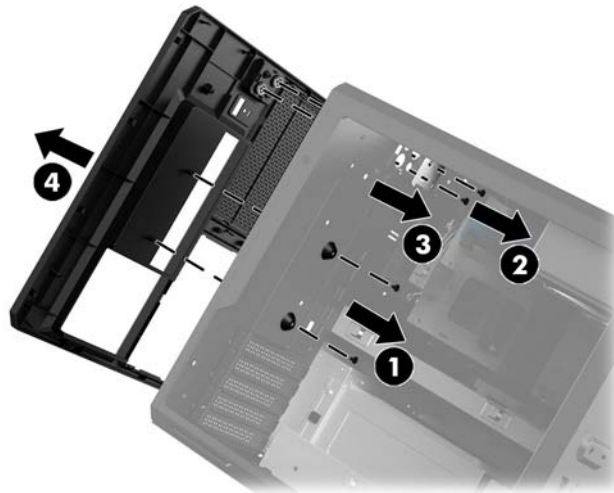


5. Replace the system board tray assembly in the case.
6. Install any graphics cards.
7. Install all other internal components.
8. Connect all cables to the system board.

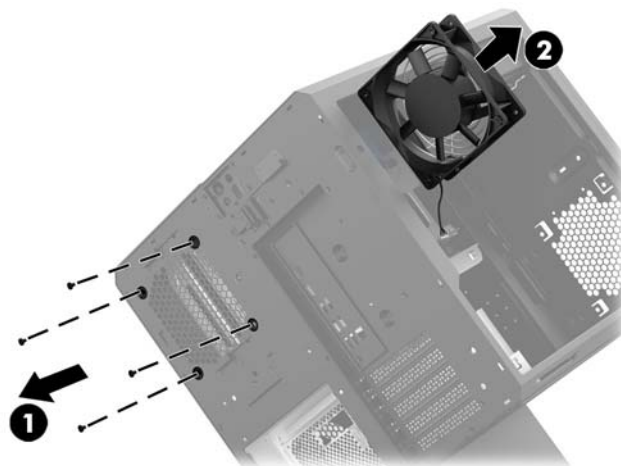
Removing the hard drive fan

The hard drive fan is secured to the rear of the case under the system board tray. You must remove the tray before you can remove or install the hard drive fan.

1. Prepare the computer for disassembly ([Preparing for disassembly on page 8](#)).
2. Remove the access panel ([Removing and replacing the access panel on page 18](#)).
3. Remove the system board tray ([Installing a system board on page 28](#)).
4. To remove the rear bezel:
 - a. From the inside of the case, remove the two screws **(1)** that secure the bezel to the case.
 - b. Remove the two screws **(2)** that secure the eject button to the case, and then remove the eject button **(3)**.
 - c. From the outside of the case, pry the bezel off the case **(4)**.



5. To remove the hard drive fan:
 - a. From the outside of the case, remove the four screws **(1)** that secure the fan to the case.
 - b. Lift the fan out of the case **(2)**.



To replace the hard drive fan, reverse the removal procedures.

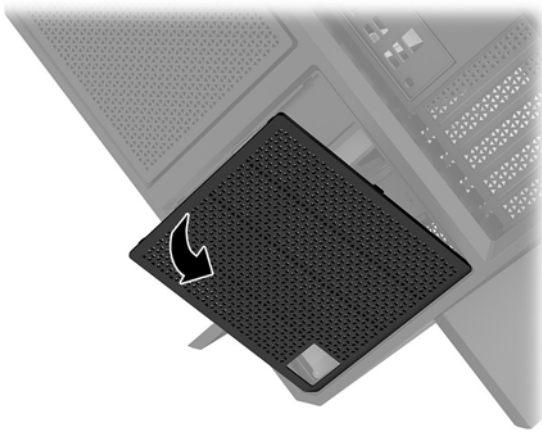
Installing a power supply

The computer supports power supplies that follow the ATX standard with a maximum of 1450 W.

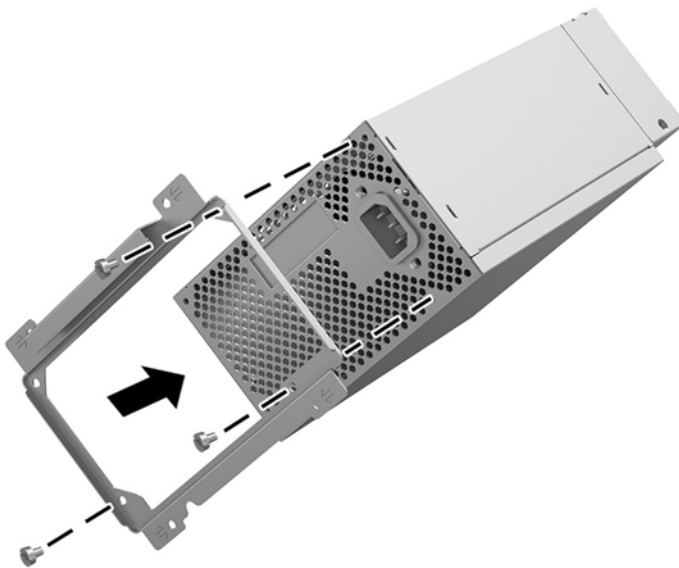
⚠ CAUTION: To prevent damage, the overall power consumption of the computer must not exceed the maximum rating of the computer power supply.

1. Prepare the computer for disassembly ([Preparing for disassembly on page 8](#)).
2. Remove the access panel ([Removing and replacing the access panel on page 18](#)).
3. Remove the system board tray ([Installing a system board on page 28](#)).
4. Use the security tool from the tool kit ([Accessing the tool kit on page 9](#)) to remove the power supply cover, located on the rear of the case.

⚠ CAUTION: To avoid damaging the cover, pry only on the side of the cover as shown in the following image.




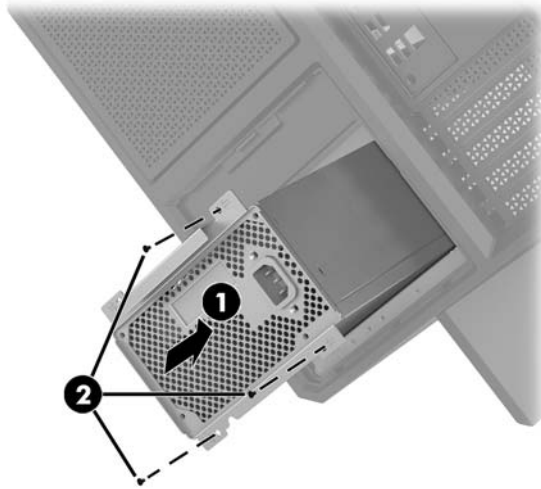
5. Install the power supply bracket onto the power supply.



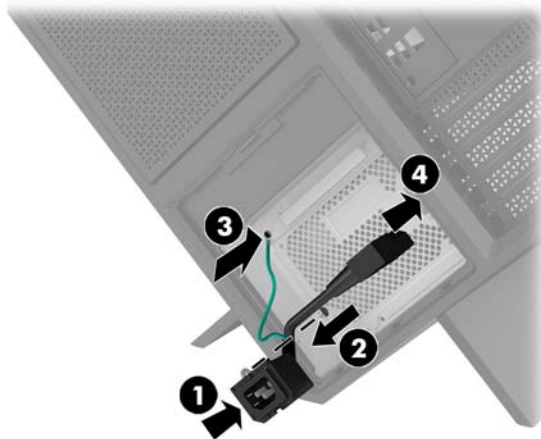
6. Route the power cables into the case, and then insert the power supply **(1)**.

7. Install three screws to secure the power supply to the case **(2)**.

 **NOTE:** You will install one other screw in the next step to secure the grounding wire.



8. To install the power supply connector cable into the case:
 - a. Place the connector into the corner of the power supply bay **(1)**.
 - b. Install the connector hex screw **(2)** using the wrench/screwdriver from the tool kit.
 - c. Install the green ground wire onto the remaining power supply screw **(3)**.
 - d. Plug the cable into the power supply **(4)**.



9. Connect the power supply SATA cables **(1)** and I/O board and cable **(2)**.

Six SATA power cables (four hard drive + one U.2 drive + one optical drive) and one PATA power connector (from the I/O board) are available to connect to the power supply.

The cables in the computer case are labeled to indicate components they connect to.

⚠ CAUTION: To avoid damaging the cable, pull the tab or connector instead of the cable itself.




10. Replace the power supply cover.
11. Replace the system board tray assembly.

Installing a radiator bracket for liquid cooling

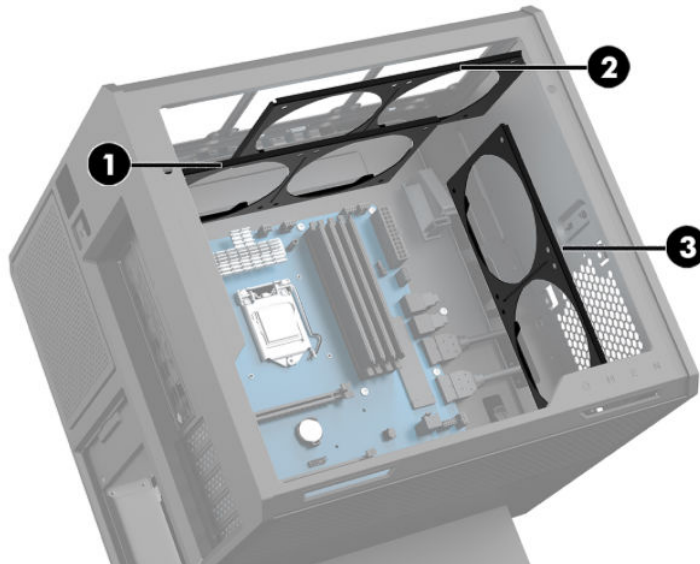
The radiator bracket can accommodate only 240 mm radiators.

1. Prepare the computer for disassembly ([Preparing for disassembly on page 8](#)).
2. Remove the access panel ([Removing and replacing the access panel on page 18](#)).
3. Remove any fans mounted to the side of the case.
4. If you want to add additional liquid cooling, install the radiator bracket in one of the positions shown in the following image.

 **NOTE:** On models that support only one bracket, you can install the bracket in either position 1 or 2.

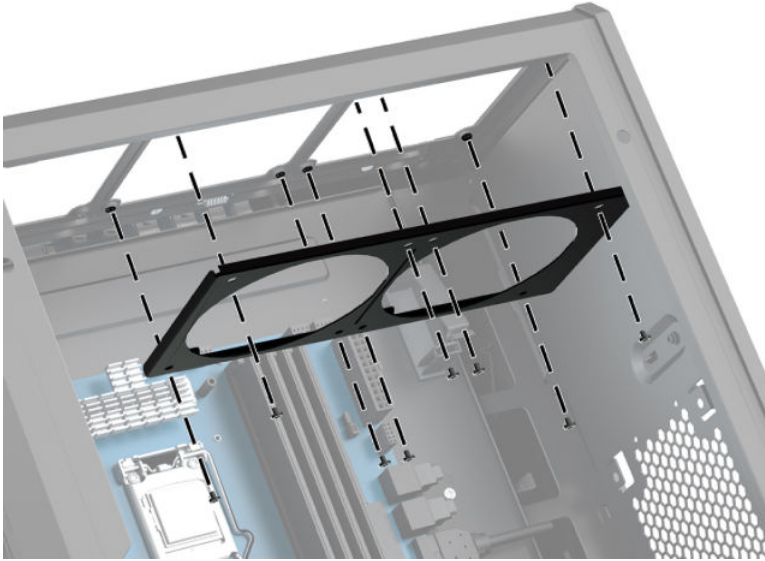
On models that support two brackets, you can install the brackets in either positions 1 and 3 or positions 2 and 3.

Installation location **(3)** is present in select models only.



5. Insert the bracket onto the inside rear of the case.

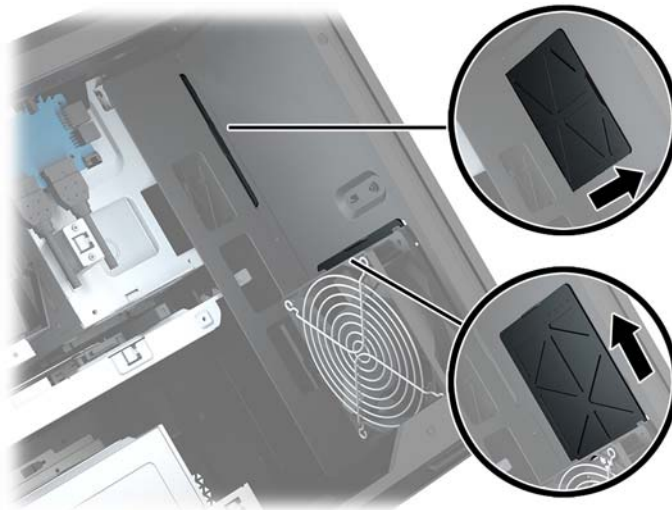
6. Install the eight hex screws using the wrench/screwdriver from the tool kit ([Accessing the tool kit on page 9](#)) to secure the bracket to the case.



7. Install any needed fans.

Cleaning filters

1. Prepare the computer for disassembly ([Preparing for disassembly on page 8](#)).
2. Remove the access panel ([Removing and replacing the access panel on page 18](#)).
3. Remove and clean the air filters on all vented sides of the computer.



A Electrostatic discharge

A discharge of static electricity from a finger or other conductor may damage system boards or other static-sensitive devices. This type of damage may reduce the life expectancy of the device.

Preventing electrostatic damage

To prevent electrostatic damage, observe the following precautions:

- Avoid hand contact by transporting and storing products in static-safe containers.
- Keep electrostatic-sensitive parts in their containers until they arrive at static-free workstations.
- Place parts on a grounded surface before removing them from their containers.
- Avoid touching pins, leads, or circuitry.
- Always be properly grounded when touching a static-sensitive component or assembly.

Grounding methods

Use one or more of the following methods when handling or installing electrostatic-sensitive parts:

- Use a wrist strap connected by a ground cord to a grounded workstation or computer chassis. Wrist straps are flexible straps with a minimum of 1 megohm +/- 10 percent resistance in the ground cords. To provide proper ground, wear the strap snug against the skin.
- Use heelstraps, toestraps, or bootstraps at standing workstations. Wear the straps on both feet when standing on conductive floors or dissipating floor mats.
- Use conductive field service tools.
- Use a portable field service kit with a folding static-dissipating work mat.

If you do not have any of the suggested equipment for proper grounding, contact an HP authorized dealer, reseller, or service provider.



NOTE: For more information on static electricity, contact an HP authorized dealer, reseller, or service provider.

B Computer operating guidelines and routine care

Follow these guidelines to properly set up and care for the computer and monitor:


- Keep the computer away from excessive moisture, direct sunlight, and extremes of heat and cold.
- Operate the computer on a sturdy, level surface. Leave a 10.2 cm (4-inch) clearance on all vented sides of the computer and above the monitor to permit the required airflow.
- Never restrict the airflow into the computer by blocking any vents or air intakes. Do not place the keyboard, with the keyboard feet down, directly against the front of the desktop unit as this also restricts airflow.
- Never operate the computer with the access panel or any of the expansion card slot covers removed.
- Do not stack computers on top of each other or place computers so near each other that they are subject to each other's re-circulated or preheated air.
- If the computer is to be operated within a separate enclosure, intake and exhaust ventilation must be provided on the enclosure, and the same operating guidelines listed above will still apply.
- Keep liquids away from the computer and keyboard.
- Never cover the ventilation slots on the monitor with any type of material.
- Install or enable power management functions of the operating system or other software, including sleep states.
- Turn off the computer before you do either of the following:
 - Wipe the exterior of the computer with a soft, damp cloth as needed. Using cleaning products may discolor or damage the finish.
 - Occasionally clean the air vents on all vented sides of the computer. Lint, dust, and other foreign matter can block the vents and limit the airflow.

C Accessibility

HP designs, produces, and markets products and services that can be used by everyone, including people with disabilities, either on a stand-alone basis or with appropriate assistive devices.

Supported assistive technologies

HP products support a wide variety of operating system assistive technologies and can be configured to work with additional assistive technologies. Use the Search feature on your device to locate more information about assistive features.

 **NOTE:** For additional information about a particular assistive technology product, contact customer support for that product.

Contacting support

We are constantly refining the accessibility of our products and services and welcome feedback from users. If you have an issue with a product or would like to tell us about accessibility features that have helped you, please contact us at (888) 259-5707, Monday through Friday, 6 a.m. to 9 p.m. Mountain Time. If you are deaf or hard-of-hearing and use TRS/VRS/WebCapTel, contact us if you require technical support or have accessibility questions by calling (877) 656-7058, Monday through Friday, 6 a.m. to 9 p.m. Mountain Time.

Index

- A**
 - access panel
 - removal 18
 - accessibility 37
 - accessing the tool kit 9
 - audio-in (microphone) jack 5
 - audio-out (headphone) jacks 7
 - audio-out (headphone)/audio-in (microphone) jack, identifying 5
- B**
 - buttons
 - power 4
- C**
 - color zones 3
 - color zones, identifying 2
 - components
 - back 6
 - bottom 7
 - right 4
 - computer operating guidelines 36
 - connector, power 7
- D**
 - drive cage latch, identifying 5
- E**
 - electrostatic discharge, preventing damage 35
- F**
 - filters
 - removing and cleaning 34
- G**
 - graphics cards
 - installing 24
- H**
 - hard drive
 - installation 10
 - removal 14
 - security 17
 - hard drive fan
 - installing 29
- I**
 - installation guidelines 8
 - installing
 - graphics cards 24
 - memory 20
 - optical drive 22
 - power supply 30
 - radiator bracket 33
 - solid-state drive 10
 - system board 28
- J**
 - jacks
 - audio-in (microphone) 5
 - audio-out (headphone) 7
 - audio-out (headphone)/audio-in (microphone) 5
 - network 6
 - RJ-45 (network) 6
- L**
 - lighting
 - OMEN Control 3
 - lights
 - power 4
 - RJ-45 (network) status 6
 - wireless 5
- M**
 - memory
 - installation 20
 - socket population 19
 - memory card reader, identifying 5
 - memory card, identifying 5
- N**
 - network jack, identifying 6
- O**
 - OMEN Control 3
 - optical drive
 - installing 22
 - removal 23
 - optical drive eject button, identifying 7
 - optical drive, identifying 7
 - optical out connector, identifying 6
- P**
 - PCI fan
 - installing 26
 - ports
 - USB 3.0 5, 6
 - USB 3.0 (powered) charging 5
 - USB Type-C 5
 - power button, identifying 4
 - power connector, identifying 7
 - power light, identifying 4
 - power supply
 - installing 30
 - preparing for disassembly 8
- R**
 - radiator bracket
 - installing 33
 - removing
 - access panel 18
 - hard drive 14
 - hard drive fan 29
 - optical drive 23
 - PCI fan 26
 - solid-state drive 14
 - RJ-45 (network) jack, identifying 6
 - RJ-45 (network) status lights, identifying 6
- S**
 - security
 - hard drive 17
 - security cable slot, identifying 6
 - side panel release latch, identifying 6
 - slots
 - memory card reader 5
 - security cable 6

- solid-state drive
 - removal 14
- stand 2
- system board
 - installing 28

T

- tool kit location 9
- tool kit, identifying 2

U

- USB 3.0 charging (powered) port,
 - identifying 5
- USB 3.0 port, identifying 5, 6
- USB Type-C port, identifying 5

V

- ventilation guidelines 36
- vents, identifying 2, 6, 7

W

- wireless light 5