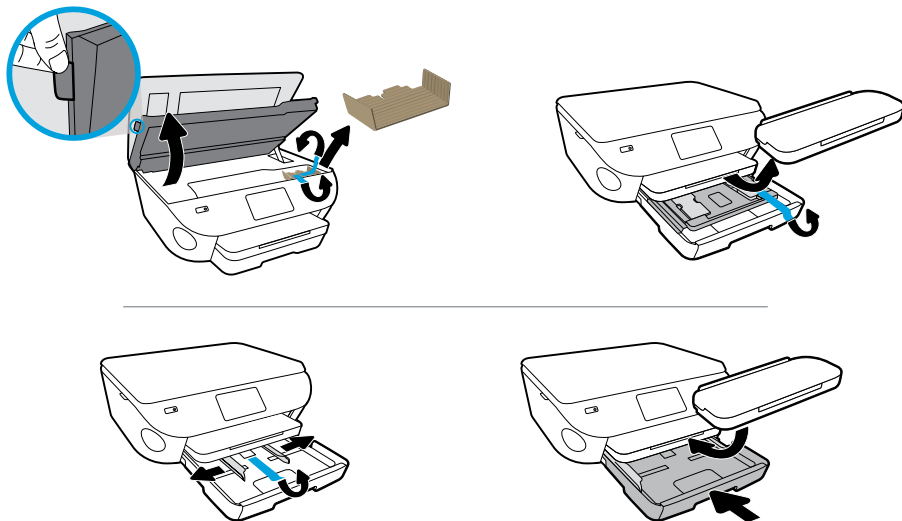
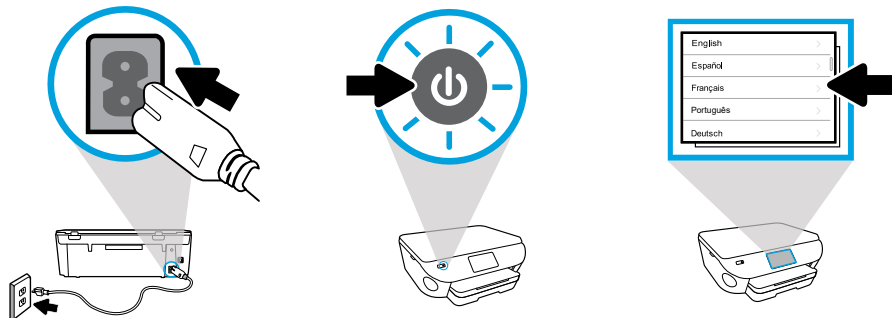


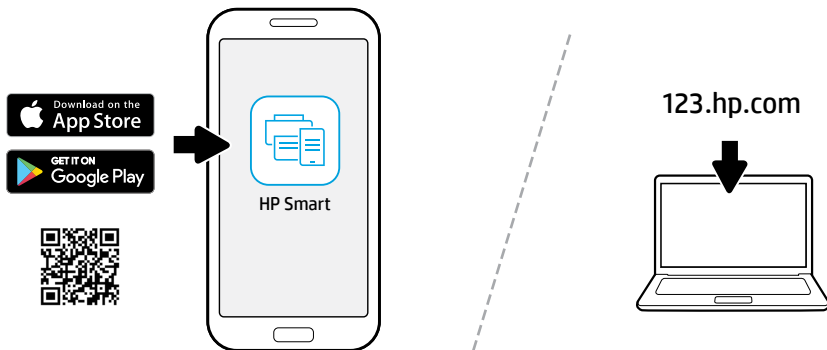
1



2



3



? www.hp.com/support/ENVY7100



The Apple logo is a trademark of Apple Inc., registered in the U.S. and other countries. App Store is a service mark of Apple Inc. Android, Google Play, and the Google Play logo are trademarks of Google Inc.

Printed in [English] Printed in [Spanish] Printed in [French]

Printed in [Portugese] Printed in [Korean]

© Copyright 2018 HP Development Company, L.P.



K7G93-90032