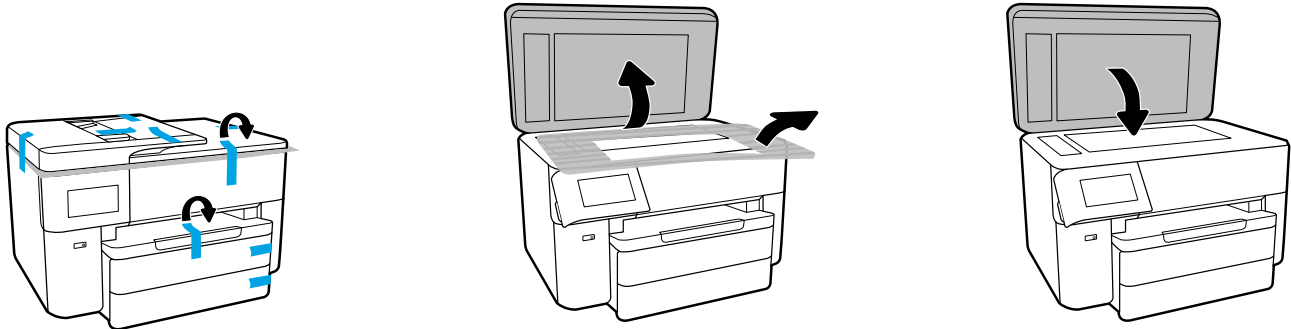
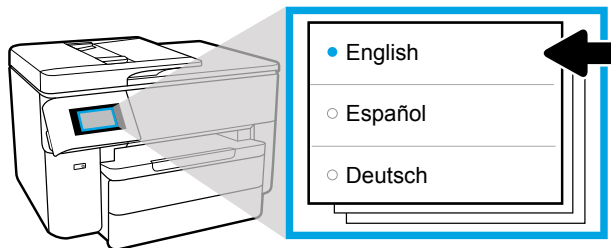
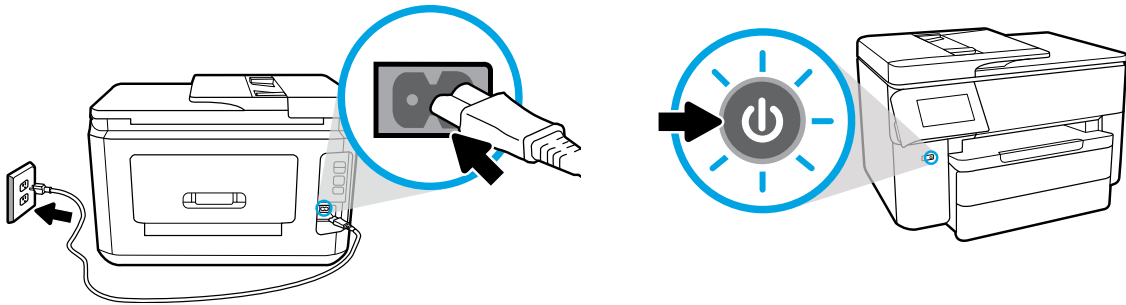




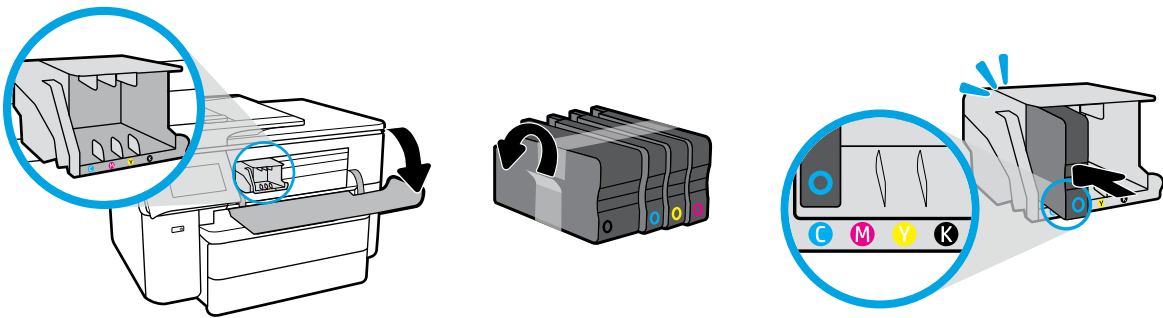
1

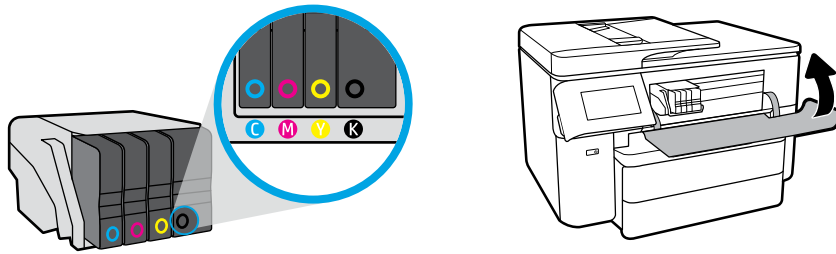


2

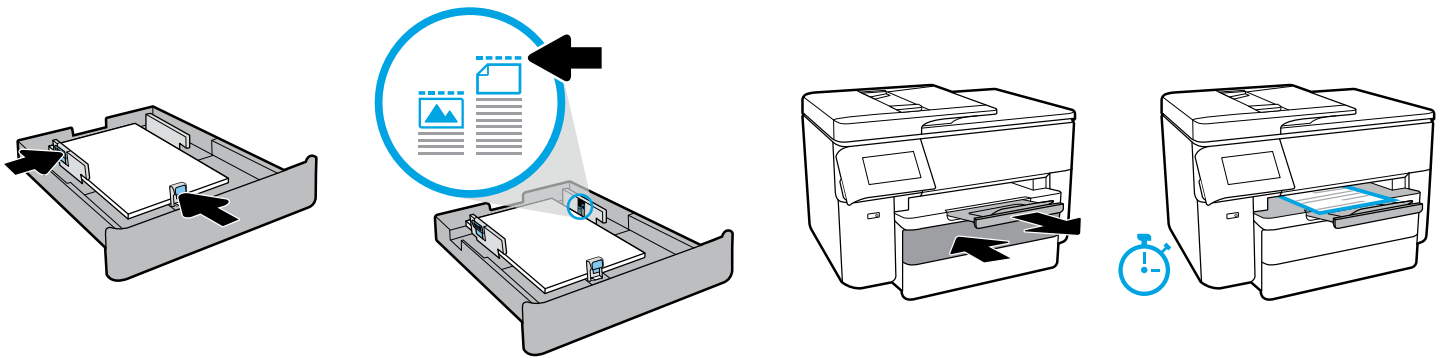
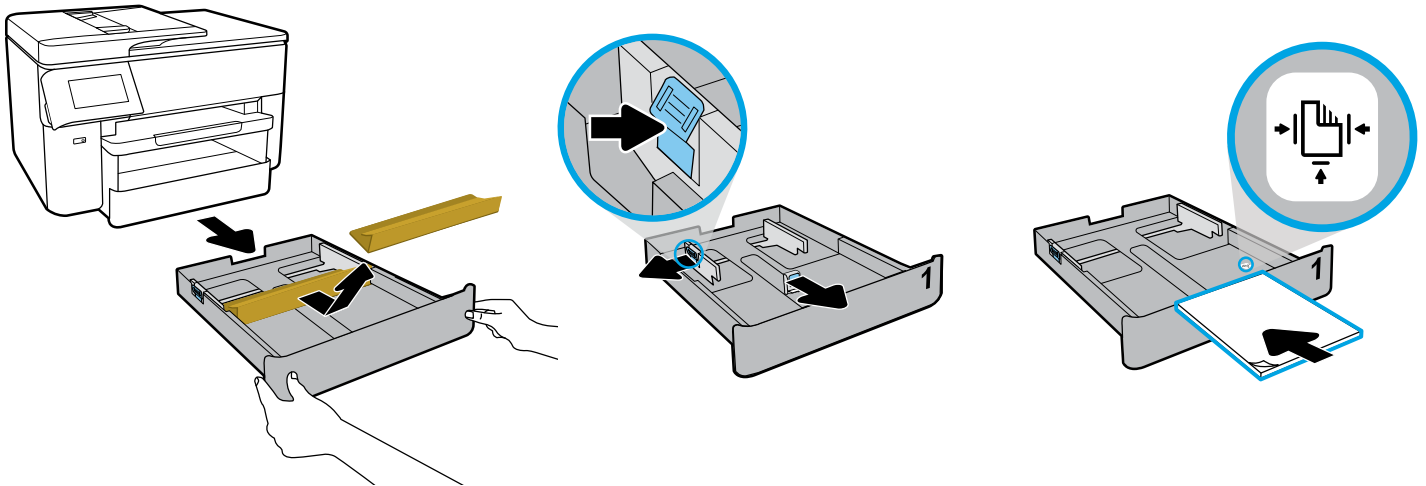


3





4



5



The Apple logo is a trademark of Apple Inc., registered in the U.S. and other countries.
 App Store is a service mark of Apple Inc.
 Android, Google Play, and the Google Play logo are trademarks of Google Inc.
 Microsoft is a registered trademark of Microsoft Corporation in the United States and/or other countries.



Y0S19-90024

Printed in [English] Printed in [French] Printed in [Spanish]
 Printed in [ZHCN] Printed in [Portuguese] Printed in [Korean]

© Copyright 2020 HP Development Company, L.P.