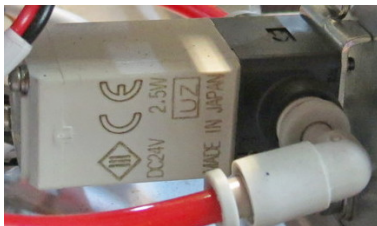




Replacing the Web Wipe Dispenser Water Valve

Service Code:	MH_WEBWIP[x]_VLV1
CSR Level:	CSR B
Part Number:	0491-0391
Part Name:	SOLENOID VALVE 2-WAY 24VDC DIRECTIONAL
Frequency:	as needed
Document ID:	c05942251
Revision:	Draft 1
Date:	17-May-18



Required personnel:	1
Required time:	15 minutes
Required tools:	Allen wrenches

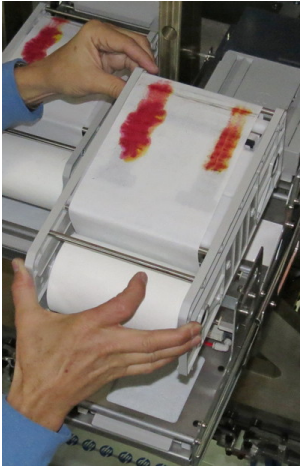
Important:

Make sure to comply with all relevant federal, state, and local regulations when disposing of replaced parts.

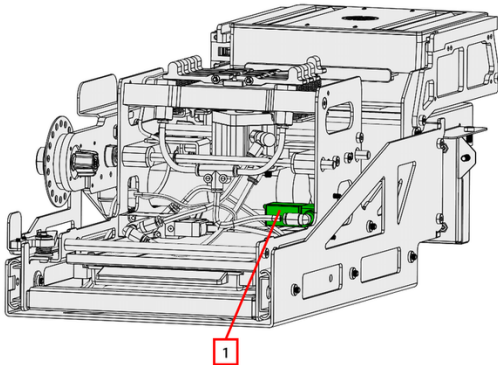


Procedure

1. Open the sliding doors on the service side of the print engine.
2. Pull out the web wipe assembly from the print engine.
3. Remove the web wipe cassette.



4. Disconnect the tube and wires connected to the dispenser valve.



1	Dispenser valve: MH_WEBWIP[x]_VLV1
---	------------------------------------

5. Using an Allen wrench, remove the dispenser valve from the assembly.
6. Assemble the new dispenser valve.
7. Connect the wires and tube to the new valve.
8. Insert the web wipe cassette.
9. Reinsert the web wipe assembly and close the service doors.