



Maintenance and Service Guide

HP ZHAN 66 Pro 14 G3 Notebook PC

IMPORTANT! This document is intended for HP authorized service providers only.

© Copyright 2019 HP Development Company, L.P.

AMD is a trademark of Advanced Micro Devices, Inc. Bluetooth is a trademark owned by its proprietor and used by HP Inc. under license. Intel, Core, and Thunderbolt are trademarks of Intel Corporation in the U.S. and other countries. NVIDIA, CUDA, GeForce, NVIDIA GPU Boost, and Optimus are trademarks and/or registered trademarks of NVIDIA Corporation in the U.S. and other countries. SDHC, SDXC, and microSD are trademarks or registered trademarks of SD-3C in the United States, other countries or both. Windows is either a registered trademark or trademark of Microsoft Corporation in the United States and/or other countries. DisplayPort™ and the DisplayPort™ logo are trademarks owned by the Video Electronics Standards Association (VESA®) in the United States and other countries. Miracast is a registered trademark of Wi-Fi Alliance.

The information contained herein is subject to change without notice. The only warranties for HP products and services are set forth in the express warranty statements accompanying such products and services. Nothing herein should be construed as constituting an additional warranty. HP shall not be liable for technical or editorial errors or omissions contained herein.

First Edition: October 2019

Document Part Number: L76352-001

Product notice

This guide describes features that are common to most models. Some features may not be available on your computer.

Not all features are available in all editions or versions of Windows. Systems may require upgraded and/or separately purchased hardware, drivers, software or BIOS update to take full advantage of Windows functionality. Windows 10 is automatically updated, which is always enabled. ISP fees may apply and additional requirements may apply over time for updates. Go to <http://www.microsoft.com> for details.

To access the latest user guides, go to <http://www.hp.com/support>, and follow the instructions to find your product. Then select **User Guides**.

Software terms

By installing, copying, downloading, or otherwise using any software product preinstalled on this computer, you agree to be bound by the terms of the HP End User License Agreement (EULA). If you do not accept these license terms, your sole remedy is to return the entire unused product (hardware and software) within 14 days for a full refund subject to the refund policy of your seller.

For any further information or to request a full refund of the price of the computer, please contact your seller.

Safety warning notice


 **WARNING!** To reduce the possibility of heat-related injuries or of overheating the computer, do not place the computer directly on your lap or obstruct the computer air vents. Use the computer only on a hard, flat surface. Do not allow another hard surface, such as an adjoining optional printer, or a soft surface, such as pillows or rugs or clothing, to block airflow. Also, do not allow the AC adapter to contact the skin or a soft surface, such as pillows or rugs or clothing, during operation. The computer and the AC adapter comply with the user-accessible surface temperature limits defined by applicable safety standards.

Table of contents

1 Product description	1
2 Components	5
Right	5
Left	7
Display	8
Keyboard area	9
Touchpad	9
Lights	10
Button, speakers, and fingerprint sensor	11
Special keys	12
Bottom	13
Labels	14
3 Illustrated parts catalog	15
Computer major components	15
Display components	18
Cable Kit	19
Bracket Kit	20
Mass storage devices	21
Miscellaneous parts	22
4 Removal and replacement procedures preliminary requirements	23
Tools required	23
Service considerations	23
Plastic parts	23
Cables and connectors	23
Drive handling	24
Workstation guidelines	24
Electrostatic discharge information	24
Generating static electricity	25
Preventing electrostatic damage to equipment	25
Personal grounding methods and equipment	26
Grounding the work area	26
Recommended materials and equipment	26
Packaging and transporting guidelines	27

5 Removal and replacement procedures for authorized service provider parts	28
Component replacement procedures	28
Preparation for disassembly	28
Battery Safe mode	28
Bottom cover	29
Battery	30
Memory modules	31
WLAN/Bluetooth combo card	33
M.2 solid-state drive	35
Hard drive	36
Speaker assembly	38
Fan	39
Heat sink	40
USB board	43
Touchpad assembly	44
Fingerprint sensor assembly	45
Card reader board	47
RTC battery	49
Power connector cable	51
System board	52
Display assembly	55
Keyboard/top cover	62
6 Computer Setup (BIOS), TPM, and HP Sure Start	63
Using Computer Setup	63
Starting Computer Setup	63
Navigating and selecting in Computer Setup	63
Restoring factory settings in Computer Setup	63
Updating the BIOS	64
Determining the BIOS version	64
Downloading a BIOS update	64
Changing the boot order using the f9 prompt	65
TPM BIOS settings (select products only)	65
Using HP Sure Start (select products only)	66
7 Using HP PC Hardware Diagnostics	67
Using HP PC Hardware Diagnostics Windows (select products only)	67
Downloading HP PC Hardware Diagnostics Windows	67
Downloading the latest HP PC Hardware Diagnostics Windows version	68
Downloading HP Hardware Diagnostics Windows by product name or number (select products only)	68

Installing HP PC Hardware Diagnostics Windows	68
Using HP PC Hardware Diagnostics UEFI	68
Starting HP PC Hardware Diagnostics UEFI	69
Downloading HP PC Hardware Diagnostics UEFI to a USB flash drive	69
Downloading the latest HP PC Hardware Diagnostics UEFI version	69
Downloading HP PC Hardware Diagnostics UEFI by product name or number (select products only)	70
Using Remote HP PC Hardware Diagnostics UEFI settings (select products only)	70
Downloading Remote HP PC Hardware Diagnostics UEFI	70
Downloading the latest Remote HP PC Hardware Diagnostics UEFI version	70
Downloading Remote HP PC Hardware Diagnostics UEFI by product name or number	70
Customizing Remote HP PC Hardware Diagnostics UEFI settings	70
8 Backing up, restoring, and recovering	72
Backing up information and creating recovery media	72
Using Windows tools	72
Using the HP Cloud Recovery Download Tool to create recovery media (select products only)	72
Restoring and recovery	73
Restoring, resetting, and refreshing using Windows tools	73
Recovering using HP Recovery media	73
Changing the computer boot order	73
Using HP Sure Recover (select products only)	74
9 Specifications	75
Computer specifications	75
35.6 cm (14.0 in) display specifications	76
Hard drive specifications	76
Solid-state drive specifications	77
10 Statement of memory volatility	78
Nonvolatile memory usage	80
Questions and answers	82
Using HP Sure Start (select models only)	83
11 Power cord set requirements	84
Requirements for all countries	84
Requirements for specific countries and regions	85
12 Recycling	87

1 Product description

Table 1-1 Product components and their descriptions

Category	Description
Product Name	HP ZHAN 66 Pro 14 G3 Notebook PC
Processors	10th generation, Intel® Core™ (15 W) i7-10510U, 1.8 GHz/4.9 GHz, quad core turbo, 8 MB L3 cache; Intel UHD Graphics 620 i5-10210U, 1.6 GHz/4.2 GHz, quad core turbo, 6 MB L3 cache; Intel UHD Graphics 620
Graphics	Supports HD decode, DX12, HDMI 1.4 up to 4 K @ 30 Hz, HDCP 2.3 via DisplayPort up to 4 K @ 60 Hz Integrated Intel UMA Graphics Intel UHD Graphics 620 Supports 3 independent displays when on the HP USB-C Dock G4; Max resolution = 4 K @ 30Hz (DisplayPort 1) or 4 K @ 30 Hz (DisplayPort 2) Supports 3 independent displays when on the HP Thunderbolt™ Dock 120 W (using USB-C); Max resolution = 4 K @ 30 Hz (DisplayPort 1) or 4 K @ 30 Hz (DisplayPort 2) Discrete graphics memory NVIDIA® GeForce® MX250 with 2 GB of dedicated video memory Supports CUDA™, Optimus™, PhysX™, NVIDIA GPU Boost™ 2.0
Panel	35.6 cm (14.0 in), FHD (1920 × 1080), LED backlight, antiglare, UWVA, IPS, slim, two WLAN antennas, HD camera 250 nits, 45% CG, eDP 400 nits, 72% CG, eDP + PSR
Memory	Two customer-accessible memory module slots supporting up to 32 GB of RAM Supports dual-channel memory PC4-2666, DDR4 SODIMMs Supports the following configurations: <ul style="list-style-type: none">• 32768 MB (16384 × 2; dual channel)• 16384 MB (16384 × 1)• 8192 MB (8192 × 1)
Primary storage	Supports the following SATA, 7 mm, 2.5 inch hard drive: <ul style="list-style-type: none">• 1 TB, 5400 rpm
Primary M.2 storage	Supports the following M.2 2280 solid-state drives: <ul style="list-style-type: none">• 512 GB, PCIe, NVMe, TLC• 512 GB, PCIe, NVMe, value• 512 GB QLC + 32 GB Optane™ memory

Table 1-1 Product components and their descriptions (continued)

Category	Description
	<ul style="list-style-type: none"> • 256 GB, PCIe, NVMe, TLC
	<ul style="list-style-type: none"> • 256 GB, PCIe, NVMe, value
	<ul style="list-style-type: none"> • 256 GB QLC + 16 GB Optane memory
	<ul style="list-style-type: none"> • 128 GB, SATA, TLC
Fixed optical drive	Supports external USB drive via power port
Audio/Visual	Audio controls
	Integrated dual-array microphone
	Integrated camera (720p HD) (select models only)
	Camera privacy cover
	Supports WDR (Wide Dynamic Range)
	Audio-out (headphone)/Audio-in (microphone) combo jack
RJ-45 (network)	Realtek RTL8111HSH-GB (non-DASH)
	S3/S4/S5 wake on LAN with embedded NIC
	The following support S3/S4/S5 wake on LAN (via out of band): HP USB-C Universal Dock, HP USB-C Dock G4, HP Thunderbolt Dock 120 W G2, HP USB-C Mini Dock, HP USB-C/A Universal Dock G2, and HP USB-C Dock G5.
	The following support S0/S3/S4/S5 MAPT (via out of band): HP USB-C Universal Dock, HP USB-C Dock G4, HP Thunderbolt Dock 120 W G2, HP USB-C Mini Dock, HP USB-C/A Universal Dock G2, and HP USB-C Dock G5.
Wireless	Wireless Personal Area Network (PAN) Bluetooth
	Bluetooth® 5.0 supported using combo card
	Wireless Local Area Network (WLAN)
	Integrated WLAN options with dual antennas M.2 2230 socket (MIPI/USB):
	<ul style="list-style-type: none"> • Intel Dual Band Wireless-AC 9560 802.11ac 2 × 2 Wi-Fi + Bluetooth 5.0 Combo Adapter (non-vPro) • Intel Wi-Fi 6 AX201 802.11ax 2 × 2 + Bluetooth 5.0 (non-vPro, supports gigabit file transfer speeds)
	WLAN antennas (configured at bottom of panel on all models)
	Supports HP LAN-Wireless Protection (WLAN/LAN switching)
	Supports HP Connection Optimizer
	Compatible with Wi-Fi CERTIFIED Miracast™ devices
	Supports WoWLAN S3/S4 AC Mode
Media card reader	Supports microSD™, SDHC™, SDXC™
Ports (Input/output)	Hot plug/unplug and auto detect
	HDMI 1.4
	One USB 2.0 + powered port (left)
	Two USB 3.1 Gen 1 ports (right)

Table 1-1 Product components and their descriptions (continued)

Category	Description
	One USB 3.1 Gen 1 Type-C port (PD + DP) (right)
	Audio-out (headphone)/audio-in (microphone) combo jack
	RJ-45 (network)
	Multi-pin AC port
Sensors	Combo chip/accelerometer
	Hall sensor
Docking	HP Thunderbolt Dock 120 W G2
	HP USB-C Dock G4
	HP USB-C Universal Dock
	HP USB-C Mini Dock
	HP TB Dock G2 Audio Module
	HP USB-C/A Universal Dock G2
	HP USB-C Dock G5
Keyboard/pointing devices	Keyboard
	Backlit and non-backlit, spill-resistant
	Touchpad requirements
	Precision Touchpad Default Gestures support
	FW PTP
	No Hybrid Mode Support
Power requirements	Battery
	3 cell, 45 Whr, lithium polymer, soft pack, HP Long Life
	HP Fast Charge Technology
	AC adapters
	45 W straight USB Type-C AC adapter, nPFC, 1.8 m (5.9 ft)
	65 W Smart AC adapter, right angle, 4.5 mm - EM
	65 W straight USB Type-C AC adapter
	Power cords
	3-wire plug (C5), 1.0 m (3.3 ft), conventional
	Duckhead power cord (C5NS), 1.0 m (3.3 ft)
	Duckhead (C5NS)
Security	Security lock
	Integrated fingerprint sensor (select models only)
	TPM 2.0 (Nuvoton; soldered down)

Table 1-1 Product components and their descriptions (continued)

Category	Description
	Hardware enforced firmware protection: HP SureStart 2019
	Preboot authentication (password)
Operating system	Operating system version
	Windows® 10
	Preinstalled
	Windows 10 Home 64 High-end Chinese Market CPPP
	Windows 10 Pro 64 Chinese Market
	Restore Media
	Windows 10 Driver DVD
	Certified
	Microsoft WHQL
	Web-only support
	Windows 10 Enterprise 64
Serviceability	End-user replaceable parts
	AC adapter

2 Components

Your computer features top-rated components. This chapter provides details about your components, where they are located, and how they work.

Right

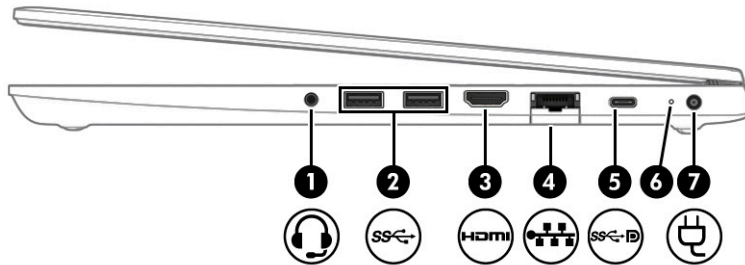


Table 2-1 Right-side components and their descriptions







Component	Description
(1) 	<p>Audio-out (headphone)/Audio-in (microphone) combo jack</p> <p>Connects optional powered stereo speakers, headphones, earbuds, a headset, or a television audio cable. Also connects an optional headset microphone. This jack does not support optional standalone microphones.</p> <p>WARNING! To reduce the risk of personal injury, adjust the volume before putting on headphones, earbuds, or a headset. For additional safety information, see the <i>Regulatory, Safety, and Environmental Notices</i>.</p> <p>To access this guide:</p> <ul style="list-style-type: none"> ▲ Type HP Documentation in the taskbar search box, and then select HP Documentation. <p>NOTE: When a device is connected to the jack, the computer speakers are disabled.</p>
(2) 	<p>USB SuperSpeed port</p> <p>Connects a USB device, such as a cell phone, camera, activity tracker, or smartwatch, and provides high-speed data transfer.</p>
(3) 	<p>HDMI port</p> <p>Connects an optional video or audio device, such as a high-definition television, any compatible digital or audio component, or a high-speed High Definition Multimedia Interface (HDMI) device.</p>
(4) 	<p>RJ-45 (network) jack/status lights</p> <p>Connects a network cable.</p> <ul style="list-style-type: none"> ● Green (left): The network is connected. ● Amber (right): Activity is occurring on the network.
(5) 	<p>USB Type-C power connector port, SuperSpeed port, and DisplayPort™ connector</p> <p>Connects an AC adapter that has a USB Type-C connector, supplying power to the computer and, if needed, charging the computer battery.</p> <p>– and –</p>

Table 2-1 Right-side components and their descriptions (continued)

Component	Description
	<p>Connects a USB device that has a Type-C connector, such as a cell phone, camera, activity tracker, or smartwatch, and provides high-speed data transfer.</p> <p>– and –</p> <p>Connects a display device that has a USB Type-C connector, providing DisplayPort output.</p> <p>NOTE: Cables and/or adapters (purchased separately) may be required.</p>
<p>(6) Battery light</p>	<p>When AC power is connected:</p> <ul style="list-style-type: none">• White: The battery charge is greater than 90%.• Amber: The battery charge is from 0 to 90%.• Off: The battery is not charging. <p>When AC power is disconnected (battery not charging):</p> <ul style="list-style-type: none">• Blinking amber: The battery has reached a low battery level. When the battery has reached a critical battery level, the battery light begins blinking rapidly.• Off: The battery is not charging.
<p>(7)  Power connector</p>	<p>Connects an AC adapter.</p>

Left

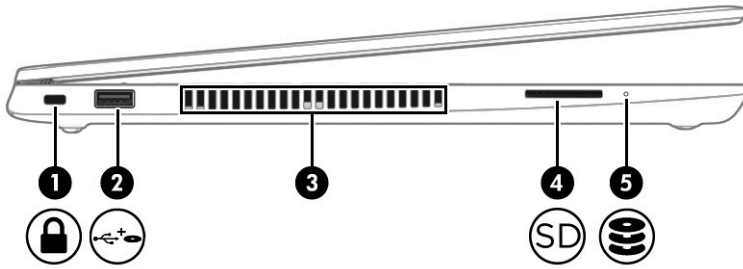






Table 2-2 Left-side components and their descriptions

Component	Description
(1) 	<p>Security cable slot</p> <p>Attaches an optional security cable to the computer.</p> <p>NOTE: The security cable is designed to act as a deterrent, but it may not prevent the computer from being mishandled or stolen.</p>
(2) 	<p>USB powered port</p> <p>Connects and supplies power to a USB device, such as a cell phone, camera, activity tracker, optical drive, or smartwatch, and provides data transfer.</p>
(3)	<p>Vent</p> <p>Enables airflow to cool internal components.</p> <p>NOTE: The computer fan starts up automatically to cool internal components and prevent overheating. It is normal for the internal fan to cycle on and off during routine operation.</p>
(4) 	<p>Memory card reader</p> <p>Reads optional memory cards that store, manage, share, or access information.</p> <p>To insert a card:</p> <ol style="list-style-type: none"> 1. Hold the card label-side up, with the connectors facing the computer. 2. Insert the card into the memory card reader, and then press in on the card until it is firmly seated. <p>To remove a card:</p> <ul style="list-style-type: none"> ▲ Press in on the card, and then remove it from the memory card reader.
(5) 	<p>Drive light</p> <ul style="list-style-type: none"> • Blinking white: The hard drive is being accessed. • Amber: HP 3D DriveGuard has temporarily parked the hard drive.

Display

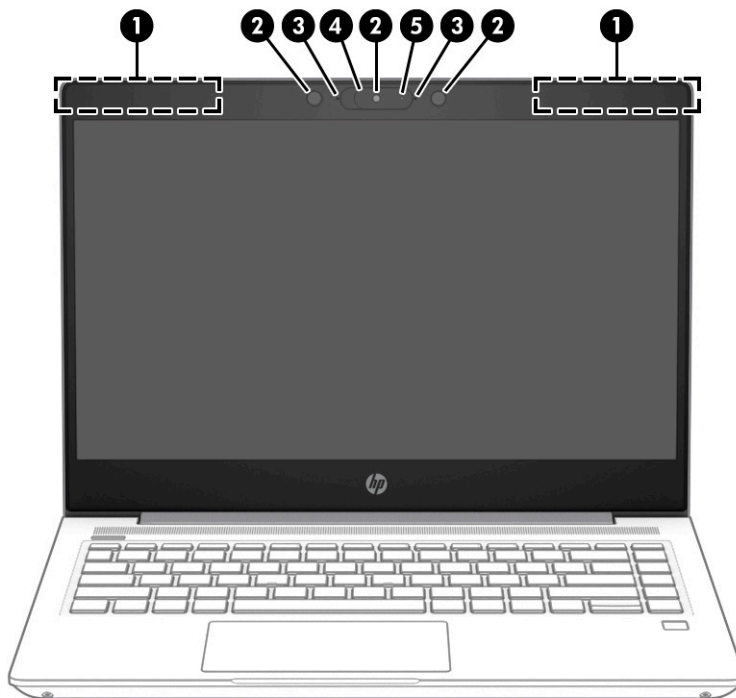


Table 2-3 Display components and their descriptions

Component	Description
(1) WLAN antennas* (select products only)	Send and receive wireless signals to communicate with wireless local area networks (WLANs).
(2) Internal microphones	Record(s) sound.
(3) Camera(s) (select products only)	Allow(s) you to video chat, record video, and record still images. Some cameras also allow a facial recognition logon to Windows, instead of a password logon. NOTE: Camera functions vary depending on the camera hardware and software installed on your product.
(4) Camera privacy cover (select products only)	By default, the camera lens is uncovered, but you can slide the camera privacy cover to block the camera's view. To use the camera, slide the camera privacy cover in the opposite direction to reveal the lens. NOTE: If you have both front-facing and rear-facing cameras, when one camera lens is revealed and ready to use, the other is concealed.
(5) Camera light (select products only)	On: The camera is in use.

*The antennas are not visible from the outside of the computer. For optimal transmission, keep the areas immediately around the antennas free from obstructions.

For wireless regulatory notices, see the section of the *Regulatory, Safety, and Environmental Notices* that applies to your country or region.

To access this guide:

- ▲ Type `HP Documentation` in the taskbar search box, and then select **HP Documentation**.

Keyboard area

Touchpad

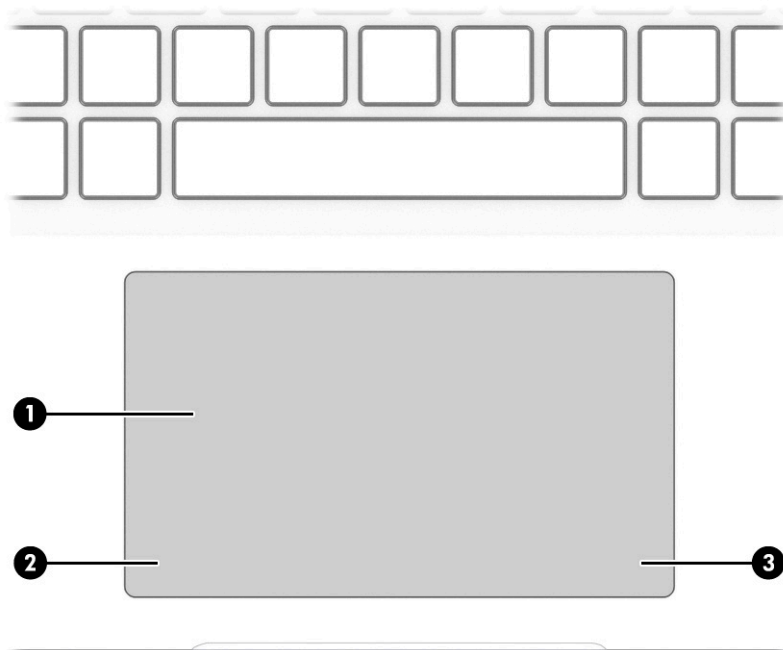


Table 2-4 Touchpad components and their descriptions

Component	Description
(1) Touchpad zone	Reads your finger gestures to move the pointer or activate items on the screen.
(2) Left touchpad button	Functions like the left button on an external mouse.
(3) Right touchpad button	Functions like the right button on an external mouse.

Lights

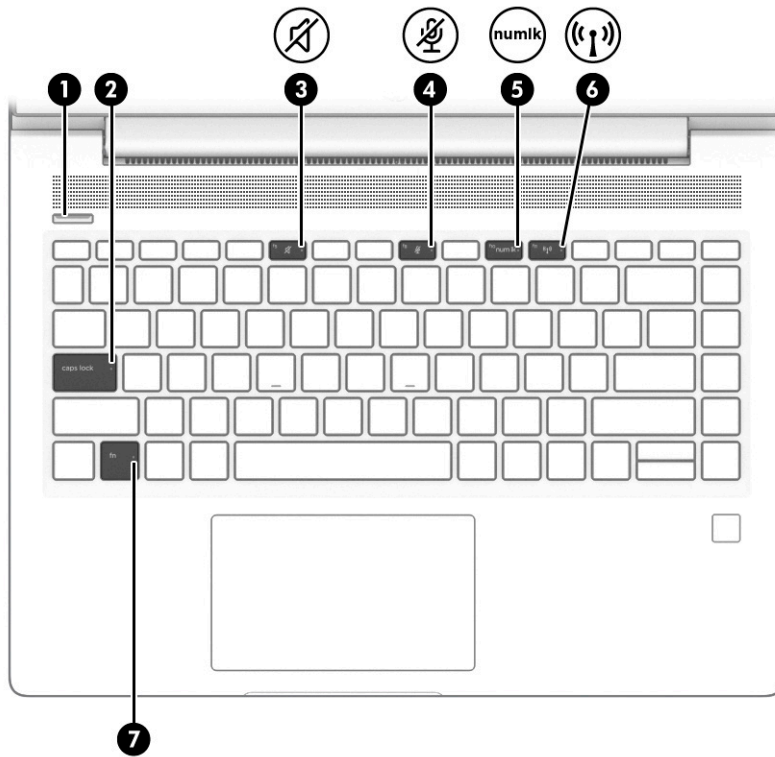





Table 2-5 Lights and their descriptions

Component	Description
(1) Power light	<ul style="list-style-type: none"> On: The computer is on. Blinking: The computer is in the Sleep state, a power-saving state. The computer shuts off power to the display and other unneeded components. Off: The computer is off or in Hibernation. Hibernation is a power-saving state that uses the least amount of power.
(2) Caps lock light	On: Caps lock is on, which switches the key input to all capital letters.
(3)  Mute light	<ul style="list-style-type: none"> On: Computer sound is off. Off: Computer sound is on.
(4)  Microphone mute light	<ul style="list-style-type: none"> On: Microphone is off. Off: Microphone is on.
(5) numlk Num lk light	On: Num lock is on.
(6)  Wireless light	<p>On: An integrated wireless device, such as a wireless local area network (WLAN) device and/or a Bluetooth® device, is on.</p> <p>NOTE: On some models, the wireless light is amber when all wireless devices are off.</p>
(7) Fn lock light	On: The fn key is locked.

Button, speakers, and fingerprint sensor

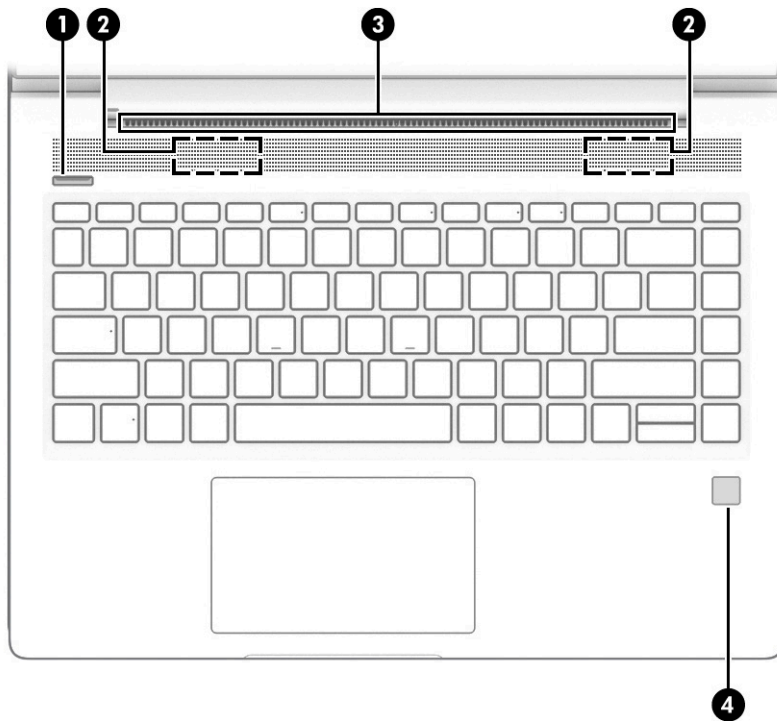



Table 2-6 Button, vent, speakers, fingerprint reader, and their descriptions

Component	Description
(1) Power button	<ul style="list-style-type: none"> When the computer is off, press the button to turn on the computer. When the computer is on, press the button briefly to initiate Sleep. When the computer is in the Sleep state, press the button briefly to exit Sleep (select products only). When the computer is in Hibernation, press the button briefly to exit Hibernation. <p>IMPORTANT: Pressing and holding down the power button results in the loss of unsaved information.</p> <p>If the computer has stopped responding and shutdown procedures are ineffective, press and hold the power button for at least 5 seconds to turn off the computer.</p> <p>To learn more about your power settings, see your power options.</p> <p>▲ Right-click the Power meter icon  and then select Power Options.</p>
(2) Speakers (2)	Produce sound.
(3) Vent	<p>Enables airflow to cool internal components.</p> <p>NOTE: The computer fan starts up automatically to cool internal components and prevent overheating. It is normal for the internal fan to cycle on and off during routine operation.</p>
(4) Fingerprint reader (select products only)	<p>Allows a fingerprint logon to Windows, instead of a password logon.</p> <p>▲ Swipe down across the fingerprint reader.</p> <p>IMPORTANT: To prevent fingerprint logon issues, be sure when you register your fingerprint that all sides of your finger are registered by the fingerprint reader.</p>

Special keys

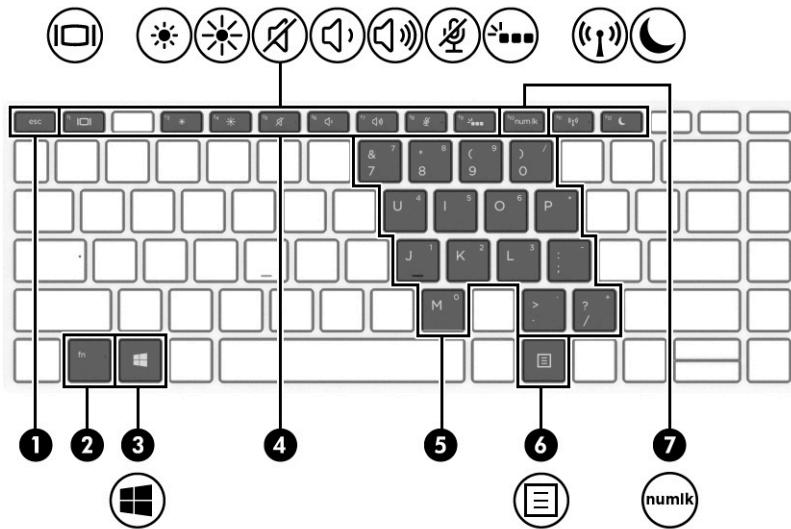




Table 2-7 Special keys and their descriptions

Component	Description
(1) <code>esc</code> key	Displays system information when pressed in combination with the <code>fn</code> key.
(2) <code>fn</code> key	Executes frequently used system functions when pressed in combination with another key. Such key combinations are called <i>hot keys</i> .
(3)  Windows key	Opens the Start menu. NOTE: Pressing the Windows key again closes the Start menu.
(4) Action keys	Execute frequently used system functions.
(5) Embedded numeric keypad	A numeric keypad superimposed over the keyboard alphabet keys. When <code>fn+num lk</code> is pressed, the keypad can be used like an external numeric keypad. Each key on the keypad performs the function indicated by the icon in the upper-right corner of the key. NOTE: If the keypad function is active when the computer is turned off, that function is reinstated when the computer is turned back on.
(6)  Windows application key	Displays options for a selected object.
(7) <code>num lk</code> key	Turns the embedded numeric keypad on and off when pressed in combination with the <code>fn</code> key. – or – Turns the embedded numeric keypad on and off.

Bottom

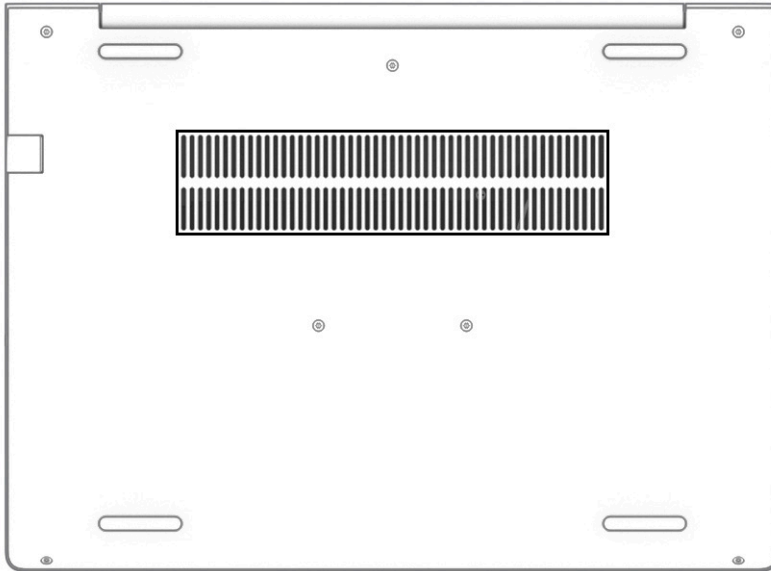


Table 2-8 Bottom components and their descriptions

Component	Description
Vent	Enables airflow to cool internal components. NOTE: The computer fan starts up automatically to cool internal components and prevent overheating. It is normal for the internal fan to cycle on and off during routine operation.

Labels

The labels affixed to the computer provide information you may need when you troubleshoot system problems or travel internationally with the computer. Labels may be in paper form or imprinted on the product.

IMPORTANT: Check the following locations for the labels described in this section: the bottom of the computer, inside the battery bay, under the service door, on the back of the display, or on the bottom of a tablet kickstand.

- Service label—Provides important information to identify your computer. When contacting support, you may be asked for the serial number, the product number, or the model number. Locate this information before you contact support.

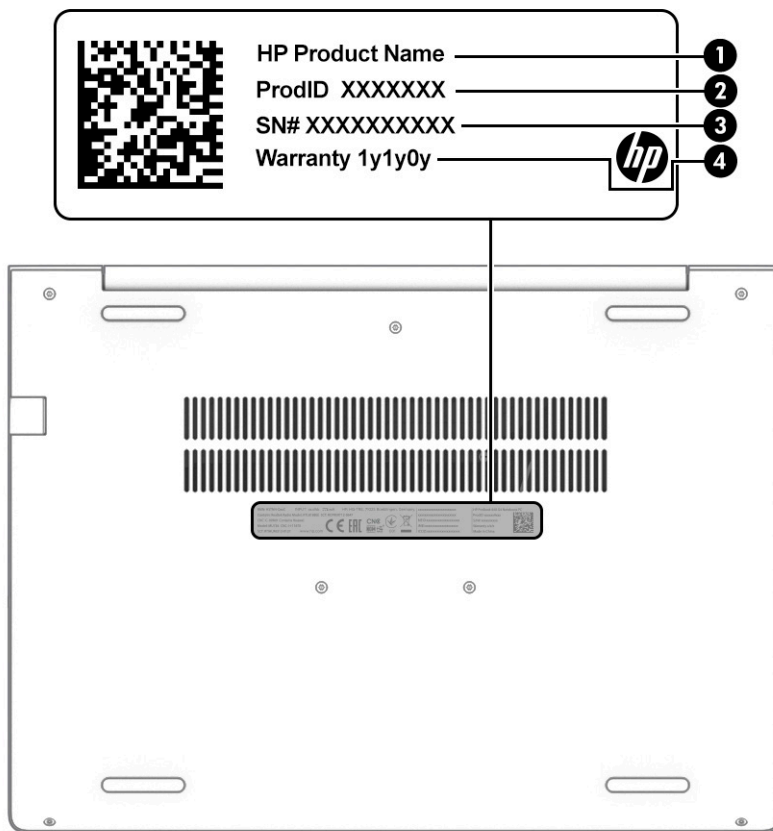


Table 2-9 Service label components


Component
(1) HP product name
(2) Product ID
(3) Serial number
(4) Warranty period

- Regulatory label(s)—Provide(s) regulatory information about the computer.
- Wireless certification label(s)—Provide(s) information about optional wireless devices and the approval markings for the countries or regions in which the devices have been approved for use.

3 Illustrated parts catalog

Computer major components

 **NOTE:** HP continually improves and changes product parts. For complete and current information on supported parts for your computer, go to <http://partsurfer.hp.com>, select your country or region, and then follow the on-screen instructions.

 **NOTE:** Details about your computer, including model, serial number, product key, and length of warranty, are on the service tag at the bottom of your computer. See [Labels on page 14](#) for details.

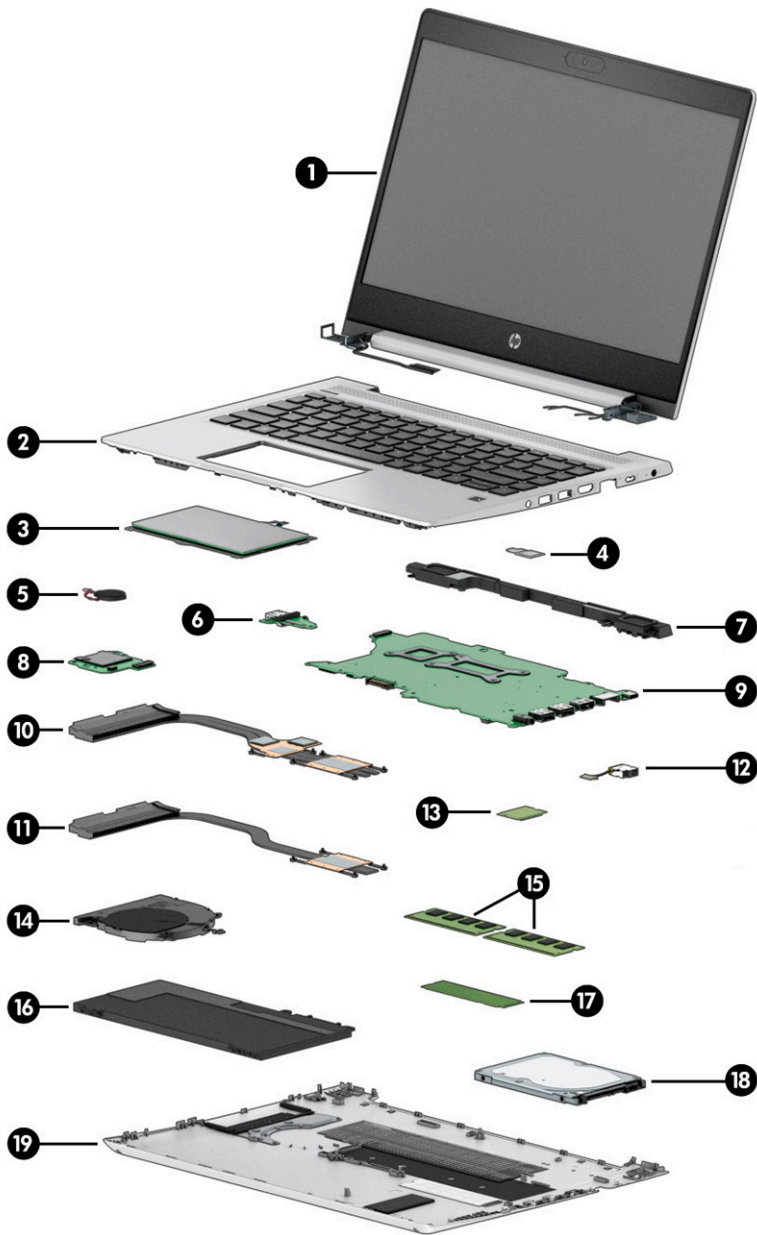


Table 3-1 Computer major components and their descriptions

Item	Description	Spare part number
(1)	Display panel assembly NOTE: Display panels are only available as spare parts at a subcomponent level.	not available as a spare part
(2)	Top cover/keyboard (includes cable) No backlight, for use in the People's Republic of China Backlight, for use in the People's Republic of China	 L67442-001 L67441-001
(3)	Touchpad (includes cable)	L77252-001
(4)	Fingerprint sensor assembly NOTE: The fingerprint sensor cable is available in the Cable Kit as spare part number L77263-001.	L77229-001
(5)	RTC battery	L02772-001
(6)	USB board (includes cable) NOTE: The USB board cable is available in the Cable Kit as spare part number L77263-001.	L44578-001
(7)	Speaker assembly	L44554-001
(8)	Card reader board (includes cable) NOTE: The card reader board cable is also available in the Cable Kit as spare part number L77263-001.	L44579-001
(9)	System board (includes integrated processor and replacement thermal material) All system boards use the following part numbers: xxxxxx-001: Non-Windows operating system xxxxxx-601: Windows 10 operating system For use in models with UMA graphics memory: • Intel Core i5-10210U processor For use in models with discrete graphics memory: • Intel Core i7-10510U processor • Intel Core i5-10210U processor	 L77249-xxx L77251-xxx L77250-xxx
(10)	Heat sink for use in models with discrete graphics (includes replacement thermal material)	L62044-001
(11)	Heat sink for use in models with UMA graphics (includes replacement thermal material)	L44552-001
(12)	Power connector cable	L01048-001
(13)	WLAN module Intel Dual Band Wireless-AC 9560 802.11ac 2 × 2 Wi-Fi + Bluetooth 5.0 Combo Adaptor (non-vPro) Intel Wi-Fi 6 AX201 802.11ax 2 × 2 + Bluetooth 5.0 (non-vPro)	 L22634-001 L57250-002
(14)	Fan For use in models with UMA graphics For use in models with discrete graphics	 L44556-001 L44555-001
(15)	Memory module (DDR4-2666)	

Table 3-1 Computer major components and their descriptions (continued)

Item	Description	Spare part number
	16 GB	937438-852
	8 GB	937236-852
	Memory module (DDR4-3200)	
	16 GB	L67710-002
	8 GB	L46598-002
(16)	Battery (3 cell, 45 Whr)	L32656-005
(17)	M.2 solid-state drive	
	512 GB, PCIe, TLC	L77261-001
	512 GB, PCIe, value	L77262-001
	512 GB PCIe + 32 GB Optane memory	L80984-001
	256 GB, PCIe, TLC	L77259-001
	256 GB, PCIe, value	L77260-001
	256 GB PCIe + 16 GB Optane memory	L80983-001
	128 GB, SATA-3, TLC	L77258-001
(18)	Hard drive	
	1 TB, 5400 rpm, 7 mm	832077-002
(19)	Bottom cover	
	For use in models with UMA graphics	L44558-001
	For use in models with discrete graphics	L64085-001

Display components

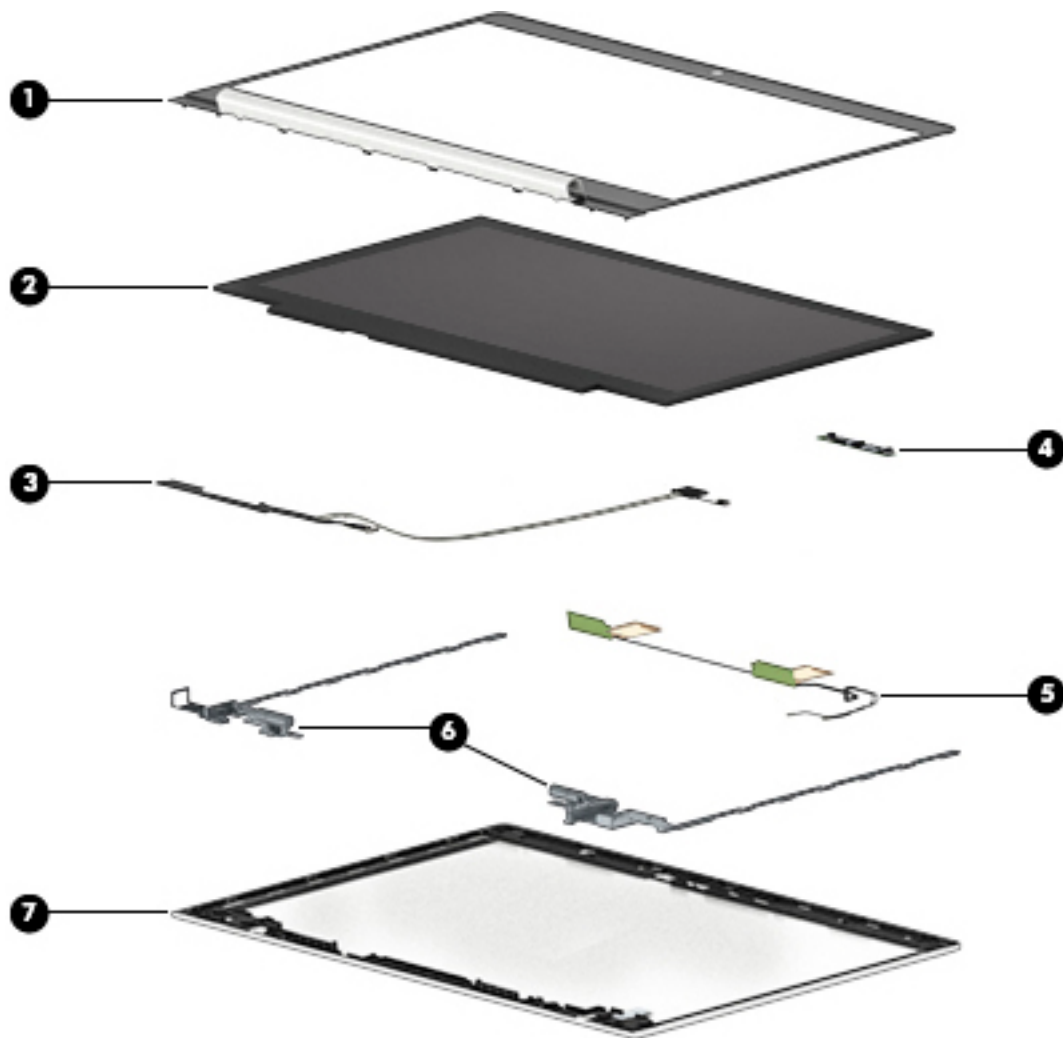


Table 3-2 Display components and their descriptions

Item	Description	Spare part number
(1)	Display bezel	L77253-001
(2)	Display panel (raw) (includes bezel adhesive and display enclosure adhesive)	
	250 nits	L77256-001
	400 nits	L77257-001
(3)	Display/camera cable assembly (includes bezel adhesive and display enclosure adhesive)	L78088-001
(4)	Camera module (includes bezel adhesive and display enclosure adhesive)	L81889-001
	Microphone board	L44541-001
(5)	WLAN antennas (includes bezel adhesive and display enclosure adhesive)	L78070-001
(6)	Hinge Kit (left and right hinges; includes bezel adhesive and display enclosure adhesive)	L78093-001
(7)	Display rear cover (includes wireless antennas and bezel adhesive)	L78072-001
	Camera privacy cover (not illustrated)	L77237-001

Cable Kit

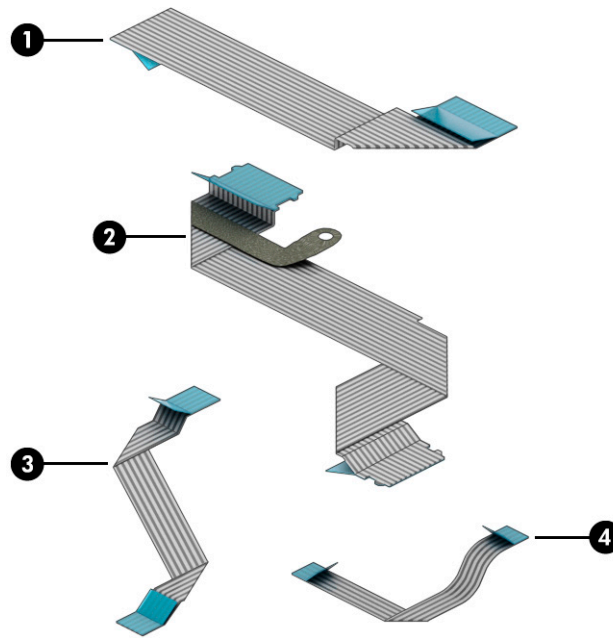


Table 3-3 Cable Kit components and their descriptions

Item	Description	Spare part number
	Cable Kit , includes the following parts:	L77263-001
(1)	USB board cable	
(2)	Card reader board cable	
(3)	Touchpad cable	
(4)	Fingerprint sensor cable	

Bracket Kit

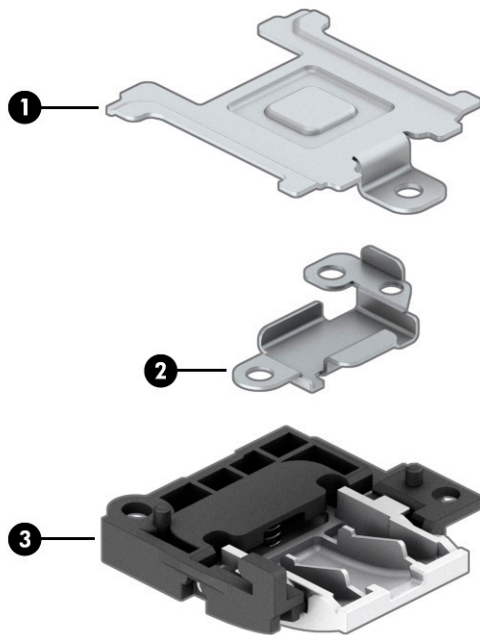


Table 3-4 Bracket Kit components and their descriptions

Item	Description	Spare part number
	Bracket Kit , includes the following parts:	L77264-001
(1)	Fingerprint sensor bracket	
(2)	USB Type-C port bracket	
(3)	RJ-45 bracket	
	Fingerprint sensor insert (for use in models without a fingerprint sensor; not illustrated)	

Mass storage devices



Table 3-5 Mass storage devices and their descriptions

Item	Description	Spare part number
(1)	Solid-state drive, M.2	
	512 GB, PCIe, TLC	L77261-001
	512 GB, PCIe, value	L77262-001
	512 GB PCIe + 32 GB Optane memory	L80984-001
	256 GB, PCIe, TLC	L77259-001
	256 GB, PCIe, value	L77260-001
	256 GB PCIe + 16 GB Optane memory	L80983-001
	128 GB, SATA-3, TLC	L77258-001
(2)	Hard drive	
	1 TB, 5400 rpm, 7 mm	832077-002
	Hard Drive Hardware Kit , includes the following parts:	L44510-001
(3)	Hard drive cover	
(4)	Hard drive cable	

Miscellaneous parts

Table 3-6 Miscellaneous parts and their descriptions

Description	Spare part number
AC adapters	
120 W Smart AC power adapter, PFC, RC, slim, 4.5 mm	L41856-001
90 W Smart AC power adapter, PFC, 3 pin, 4.5 mm	710413-001
65 W Smart AC power adapter, nPFC, 4.5 mm barrel connector, 3 pin, 4.5 mm, RC	913691-850
65 W Smart AC power adapter, nPFC, 3 pin, 4.5 mm	710412-001
65 W, nPFC, USB Type-C, wall mount, 1.8 m (5.9 ft)	L32392-001
Plastics Kit (includes fingerprint sensor insert, fingerprint sensor conductive tape, top conductive tape, touchpad left conductive tape, and touchpad protective tape)	L77265-001
Screw Kit	L78094-001
Power cord (3 pin, C5, black, conventional, 1.0 m [3.3 ft]) for use in the People's Republic of China	L19368-001 920688-014
Power cord (3 pin, C5, black, conventional, 1.8 m [5.9 ft]) for use in the People's Republic of China	L19368-002
Power cord (3 pin, C5, black, duckhead, 1.0 m [3.3 ft]) for use in the People's Republic of China	L36823-001
Power cord (C5NS, duckhead) for use in the People's Republic of China	L50818-005

4 Removal and replacement procedures preliminary requirements


Tools required

You need the following tools to complete the removal and replacement procedures:

- Tweezers
- Nonconductive, nonmarking pry tool
- Magnetic Phillips P1 screwdriver

Service considerations


The following sections include some of the considerations that you must keep in mind during disassembly and assembly procedures.

 **NOTE:** As you remove each subassembly from the computer, place the subassembly (and all accompanying screws) away from the work area to prevent damage.

Plastic parts

 **IMPORTANT:** Using excessive force during disassembly and reassembly can damage plastic parts.

Cables and connectors

 **IMPORTANT:** When servicing the computer, be sure that cables are placed in their proper locations during the reassembly process. Improper cable placement can damage the computer.

Cables must be handled with extreme care to avoid damage. Apply only the tension required to unseat or seat the cables during removal and insertion. Handle cables by the connector whenever possible. In all cases, avoid bending, twisting, or tearing cables. Be sure that cables are routed in such a way that they cannot be caught or snagged by parts being removed or replaced. Handle flex cables with extreme care; these cables tear easily.

Drive handling



IMPORTANT: Drives are fragile components that must be handled with care. To prevent damage to the computer, damage to a drive, or loss of information, observe these precautions:

Before removing or inserting a hard drive, shut down the computer. If you are unsure whether the computer is off or in Hibernation, turn the computer on, and then shut it down through the operating system.

Before handling a drive, be sure that you are discharged of static electricity. While handling a drive, avoid touching the connector.

Before removing an optical drive, be sure that a disc is not in the drive and be sure that the optical drive tray is closed.

Handle drives on surfaces covered with at least 2.54 cm (1 inch) of shock-proof foam.

Avoid dropping drives from any height onto any surface.

After removing a hard drive or an optical drive, place it in a static-proof bag.

Avoid exposing an internal hard drive to products that have magnetic fields, such as monitors or speakers.

Avoid exposing a drive to temperature extremes or liquids.

If a drive must be mailed, place the drive in a bubble pack mailer or other suitable form of protective packaging and label the package “FRAGILE.”

Workstation guidelines

Follow these grounding workstation guidelines:

- Cover the workstation with approved static-shielding material.
- Use a wrist strap connected to a properly grounded work surface and use properly grounded tools and equipment.
- Use conductive field service tools, such as cutters, screw drivers, and vacuums.
- When fixtures must directly contact dissipative surfaces, use fixtures made only of static-safe materials.
- Keep the work area free of nonconductive materials, such as ordinary plastic assembly aids and polystyrene foam.
- Handle ESD-sensitive components, parts, and assemblies by the case or PCM laminate. Handle these items only at static-free workstations.
- Avoid contact with pins, leads, or circuitry.
- Turn off power and input signals before inserting or removing connectors or test equipment.

Electrostatic discharge information

A sudden discharge of static electricity from your finger or other conductor can destroy static-sensitive devices or microcircuitry. Often the spark is neither felt nor heard, but damage occurs. An electronic device exposed to electrostatic discharge (ESD) might not appear to be affected at all and can work perfectly throughout a normal cycle. The device might function normally for a while, but it has been degraded in the internal layers, reducing its life expectancy.

Networks built into many integrated circuits provide some protection, but in many cases, the discharge contains enough power to alter device parameters or melt silicon junctions.



IMPORTANT: To prevent damage to the device when you are removing or installing internal components, observe these precautions:

Keep components in their electrostatic-safe containers until you are ready to install them.

Before touching an electronic component, discharge static electricity by using the guidelines described in this section.

Avoid touching pins, leads, and circuitry. Handle electronic components as little as possible.

If you remove a component, place it in an electrostatic-safe container.

Generating static electricity

Note the following:

- Different activities generate different amounts of static electricity.
- Static electricity increases as humidity decreases.

Table 4-1 Static electricity occurrence based on activity and humidity

Event	Relative humidity		
	55%	40%	10%
Walking across carpet	7,500 V	15,000 V	35,000 V
Walking across vinyl floor	3,000 V	5,000 V	12,000 V
Motions of bench worker	400 V	800 V	6,000 V
Removing DIPs (dual in-line packages) from plastic tube	400 V	700 V	2,000 V
Removing DIPs from vinyl tray	2,000 V	4,000 V	11,500 V
Removing DIPs from polystyrene foam	3,500 V	5,000 V	14,500 V
Removing bubble pack from PCB (printed circuit board)	7,000 V	20,000 V	26,500 V
Packing PCBs in foam-lined box	5,000 V	11,000 V	21,000 V

Multiple electric components can be packaged together in plastic tubes, trays, or polystyrene foam.



NOTE: As little as 700 V can degrade a product.

Preventing electrostatic damage to equipment

Many electronic components are sensitive to ESD. Circuitry design and structure determine the degree of sensitivity. The following packaging and grounding precautions are necessary to prevent static electricity damage to electronic components.

- To avoid hand contact, transport products in static-safe containers such as tubes, bags, or boxes.
- Protect all electrostatic parts and assemblies with conductive or approved containers or packaging.
- Keep electrostatic-sensitive parts in their containers until they arrive at static-free stations.
- Place items on a grounded surface before removing them from their container.
- Always be properly grounded when touching a sensitive component or assembly.

- Avoid contact with pins, leads, or circuitry.
- Place reusable electrostatic-sensitive parts from assemblies in protective packaging or conductive foam.

Personal grounding methods and equipment

Use the following equipment to prevent static electricity damage to electronic components:

- **Wrist straps** are flexible straps with a maximum of $1\text{ M}\Omega \pm 10\%$ resistance in the ground cords. To provide proper ground, a strap must be worn snug against bare skin. The ground cord must be connected and fit snugly into the banana plug connector on the grounding mat or workstation.
- **Heel straps/Toe straps/Boot straps** can be used at standing workstations and are compatible with most types of shoes or boots. On conductive floors or dissipative floor mats, use them on both feet with a maximum of $1\text{ M}\Omega \pm 10\%$ resistance between the operator and ground.

Table 4-2 Static shielding protection levels

Static shielding protection levels	
Method	Voltage
Antistatic plastic	1,500
Carbon-loaded plastic	7,500
Metallized laminate	15,000

Grounding the work area

To prevent static damage at the work area, use the following precautions:

- Cover the work surface with approved static-dissipative material. Provide a wrist strap connected to the work surface and properly grounded tools and equipment.
- Use static-dissipative mats, foot straps, or air ionizers to give added protection.
- Handle electrostatic sensitive components, parts, and assemblies by the case or PCB laminate. Handle them only at static-free work areas.
- Turn off power and input signals before inserting and removing connectors or test equipment.
- Use fixtures made of static-safe materials when fixtures must directly contact dissipative surfaces.
- Keep work area free of nonconductive materials such as ordinary plastic assembly aids and polystyrene foam.
- Use field service tools, such as cutters, screwdrivers, and vacuums, that are conductive.

Recommended materials and equipment

HP recommends the following materials and equipment to prevent static electricity:

- Antistatic tape
- Antistatic smocks, aprons, or sleeve protectors
- Conductive bins and other assembly or soldering aids
- Conductive foam
- Conductive tabletop workstations with ground cord of $1\text{ M}\Omega \pm 10\%$ resistance


- Static-dissipative table or floor mats with hard tie to ground
- Field service kits
- Static awareness labels
- Wrist straps and footwear straps providing $1\text{ M}\Omega \pm 10\%$ resistance
- Material handling packages
- Conductive plastic bags
- Conductive plastic tubes
- Conductive tote boxes
- Opaque shielding bags
- Transparent metallized shielding bags
- Transparent shielding tubes

Packaging and transporting guidelines

Follow these grounding guidelines when packaging and transporting equipment:


- To avoid hand contact, transport products in static-safe tubes, bags, or boxes.
- Protect ESD-sensitive parts and assemblies with conductive or approved containers or packaging.
- Keep ESD-sensitive parts in their containers until the parts arrive at static-free workstations.
- Place items on a grounded surface before removing items from their containers.
- Always be properly grounded when touching a component or assembly.
- Store reusable ESD-sensitive parts from assemblies in protective packaging or nonconductive foam.
- Use transporters and conveyors made of antistatic belts and roller bushings. Be sure that mechanized equipment used for moving materials is wired to ground and that proper materials are selected to avoid static charging. When grounding is not possible, use an ionizer to dissipate electric charges.

5 Removal and replacement procedures for authorized service provider parts

 **IMPORTANT:** Components described in this chapter should only be accessed by an authorized service provider. Accessing these parts can damage the computer or void the warranty.

 **NOTE:** HP continually improves and changes product parts. For complete and current information on supported parts for your computer, go to <http://partsurfer.hp.com>, select your country or region, and then follow the on-screen instructions.

Component replacement procedures

 **NOTE:** Details about your computer, including model, serial number, product key, and length of warranty, are on the service tag at the bottom of your computer. See [Labels on page 14](#) for details.

There are as many as 57 screws that must be removed, replaced, or loosened when servicing Authorized Service Provider only parts. Make special note of each screw size and location during removal and replacement.

Preparation for disassembly

See [Removal and replacement procedures preliminary requirements on page 23](#) for initial safety procedures.

1. Turn off the computer. If you are unsure whether the computer is off or in Hibernation, turn the computer on, and then shut it down through the operating system.
2. Disconnect the power from the computer by unplugging the power cord from the computer.
3. Disconnect all external devices from the computer

Battery Safe mode

Before removing internal components, you must place the computer in Battery Safe mode. This mode avoids short-circuits or system malfunction by removing power from internal components.

To place the computer in Battery Safe mode, follow these steps:

- ▲ With the computer turned off and AC adapter connected, press the following key and button combination: **Windows key + Backspace key + Power button**.

After the computer powers off, disconnect the AC adapter.

To disengage Battery Safe mode, plug in the AC adapter and press the power button.

Bottom cover

Table 5-1 Bottom cover description and part number

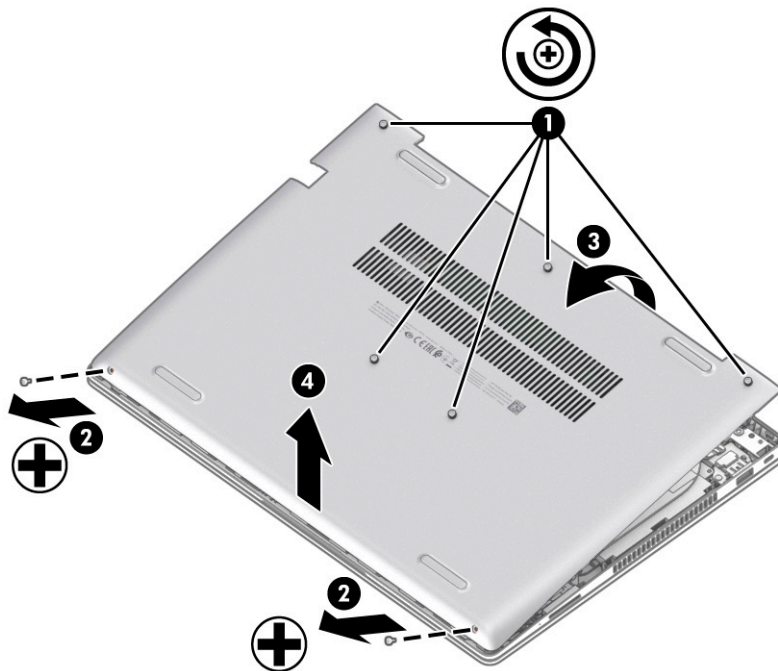
Description	Spare part number
Bottom cover for use in models with UMA graphics	L44558-001
Bottom cover for use in models with discrete graphics	L64085-001

Before removing the bottom cover, follow these steps:

1. Prepare the computer for disassembly ([Preparation for disassembly on page 28](#)).
2. Place the computer in Battery Safe mode ([Battery Safe mode on page 28](#)).

Remove the bottom cover:

1. Loosen the five captive Phillips screws **(1)**.
2. Remove the two Phillips M2.0 × 5.0 screws **(2)** that secure the bottom cover to the computer.
3. Starting under the display, use a nonconductive, nonmarking tool to pry the cover up **(3)**, and then remove the cover from the computer **(4)**.



Reverse these procedures to install the bottom cover.

Battery

Table 5-2 Battery description and part number

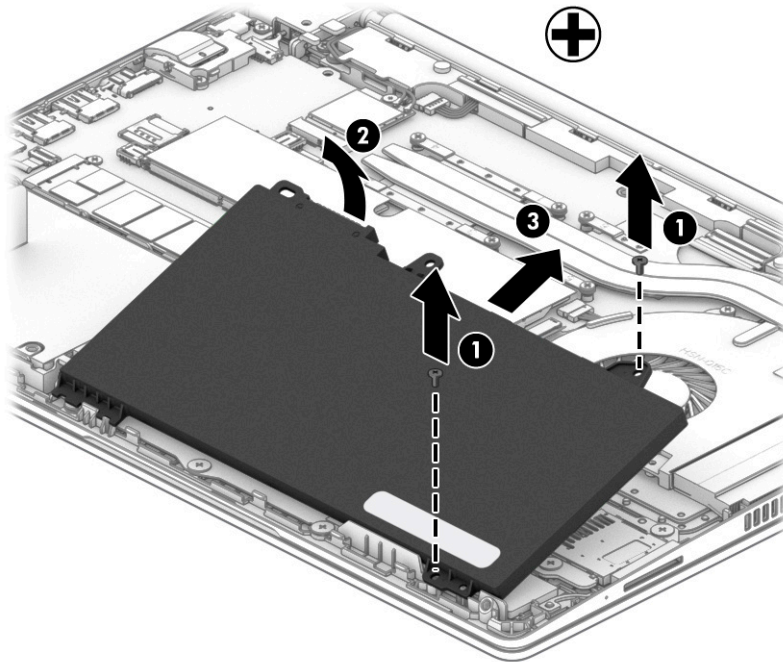
Description	Spare part number
Battery, 3 cell, 45 Wh	L32656-005

Before removing the battery, follow these steps:

1. Prepare the computer for disassembly ([Preparation for disassembly on page 28](#)).
2. Place the computer in Battery Safe mode ([Battery Safe mode on page 28](#)).
3. Remove the bottom cover ([Bottom cover on page 29](#)).

Remove the battery:

1. Remove the two Phillips M2.0 × 4.0 screws **(1)** that secure the battery to the computer.
2. Lift top (connector side) of the battery up to an approximate 45° angle **(2)**, and then remove the battery from the computer **(3)**.



Reverse this procedure to install the battery.

Memory modules

Table 5-3 Memory modules descriptions and part numbers

Description	Spare part number
Memory module, DDR4-2666, 16 GB	937438-852
Memory module, DDR4-2666, 8 GB	937236-852
Memory module, DDR4-3200, 16 GB	L67710-002
Memory module, DDR4-3200, 8 GB	L46598-002



IMPORTANT: Before adding new memory, be sure to update the computer to the latest BIOS from www.hp.com.

Failure to update the computer to the latest BIOS before installing new memory may result in various system problems.


Before removing the memory module, follow these steps:

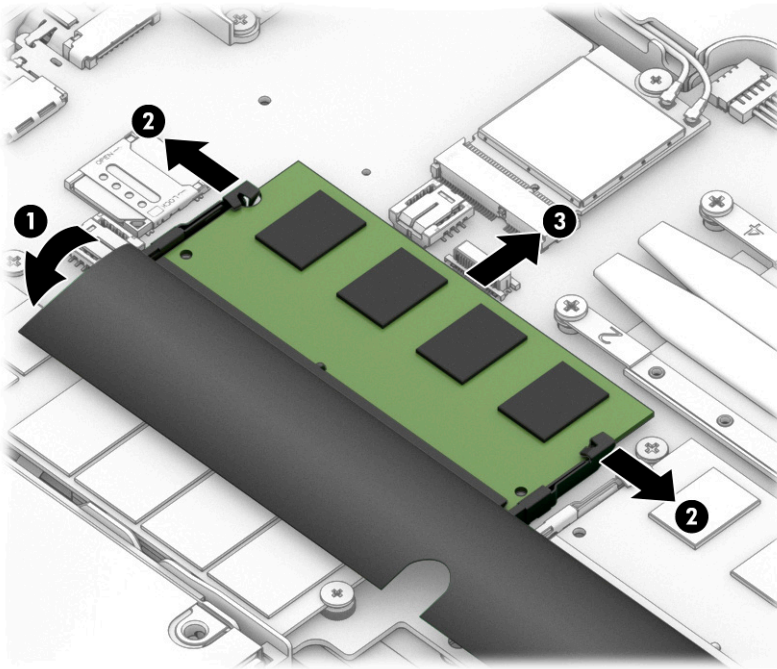
1. Prepare the computer for disassembly ([Preparation for disassembly on page 28](#)).
2. Place the computer in Battery Safe mode ([Battery Safe mode on page 28](#)).
3. Remove the bottom cover ([Bottom cover on page 29](#)).
4. Remove the battery ([Battery on page 30](#)).

Remove the memory module:

1. Lift aside the protective tape from on top of the memory modules **(1)**.
2. Spread the retaining tabs **(2)** on each side of the memory module slot to release the memory module. (The edge of the module opposite the slot rises away from the computer.)

3. Remove the memory module **(3)** by pulling the module away from the slot at an angle.

 **NOTE:** Memory modules are designed with a notch to prevent incorrect insertion into the memory module slot.



Reverse this procedure to install a memory module.

WLAN/Bluetooth combo card

The computer uses a card that provides both WLAN and Bluetooth functionality.

Table 5-4 WLAN module description and part number

Description	Spare part number
Intel Dual Band Wireless-AC 9560 802.11ac 2 × 2 Wi-Fi + Bluetooth 5.0 Combo Adaptor (non-vPro)	L22634-001
Intel Wi-Fi 6 AX201 802.11ax 2 × 2 + Bluetooth 5.0 (non-vPro)	L57250-002

Before removing the WLAN module, follow these steps:

1. Prepare the computer for disassembly ([Preparation for disassembly on page 28](#)).
2. Place the computer in Battery Safe mode ([Battery Safe mode on page 28](#)).
3. Remove the bottom cover ([Bottom cover on page 29](#)).
4. Remove the battery ([Battery on page 30](#)).

Remove the WLAN module:


1. Disconnect the WLAN antenna cables (**1**) from the terminals on the WLAN module.

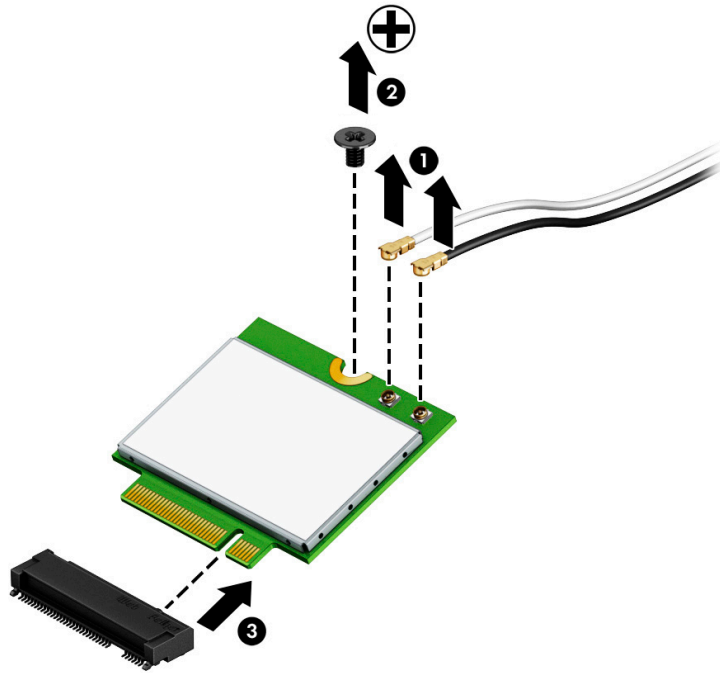



NOTE: The WLAN antenna cable labeled **1** connects to the WLAN module **Main** terminal labeled **1**. The WLAN antenna cable labeled **2** connects to the WLAN module **Aux** terminal labeled **2**. If the computer is equipped with an 802.11a/b/g/n WLAN module, the yellow WLAN antenna cable connects to the middle terminal on the WLAN module.

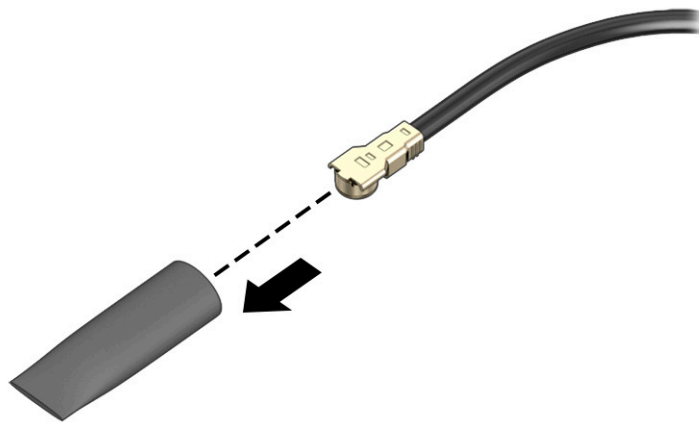
2. Remove the Phillips M2.0 × 2.5 screw (**2**) that secures the WLAN module to the computer. (The edge of the module opposite the slot rises away from the computer.)

3. Remove the WLAN module (3) by pulling the module away from the slot at an angle.

 **NOTE:** WLAN modules are designed with a notch to prevent incorrect insertion.



 **NOTE:** If the WLAN antennas are not connected to the terminals on the WLAN module, the protective sleeves must be installed on the antenna connectors, as shown in the following illustration.



Reverse this procedure to install the WLAN module.

M.2 solid-state drive

Table 5-5 Solid-state drive descriptions and part numbers

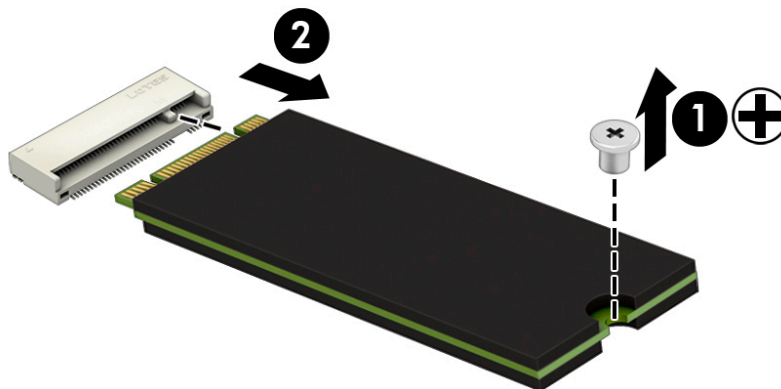
Description	Spare part number
512 GB, PCIe, TLC	L77261-001
512 GB, PCIe, value	L77262-001
512 GB PCIe + 32 GB Optane memory	L80984-001
256 GB, PCIe, TLC	L77259-001
256 GB, PCIe, value	L77260-001
256 GB PCIe + 16 GB Optane memory	L80983-001
128 GB, SATA-3, TLC	L77258-001

Before removing the solid-state drive, follow these steps:

1. Prepare the computer for disassembly ([Preparation for disassembly on page 28](#)).
2. Place the computer in Battery Safe mode ([Battery Safe mode on page 28](#)).
3. Remove the bottom cover ([Bottom cover on page 29](#)).
4. Remove the battery ([Battery on page 30](#)).

Remove the solid-state drive:

1. Remove the Phillips M2.0 × 2.5 screw **(1)** that secures the solid-state drive to the computer.
2. Remove the solid-state drive **(2)** by pulling the module away from the slot at an angle.



Reverse this procedure to install the solid-state drive.

Hard drive

Table 5-6 Hard drive descriptions and part numbers

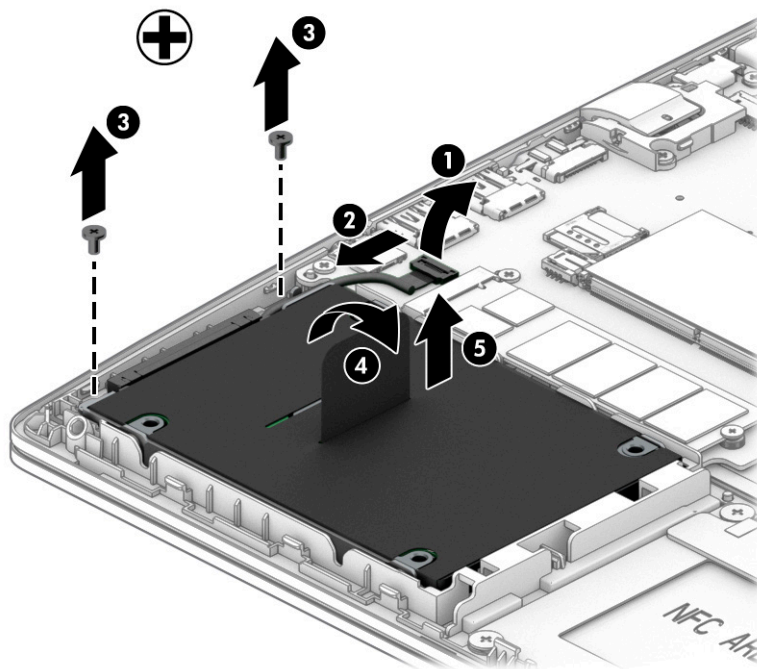
Description	Spare part number
Hard drive, 1 TB, 5400 rpm, 7 mm	832077-002
Hard Drive Hardware Kit (includes hard drive cover and connector)	L44510-001

Before removing the hard drive, follow these steps:

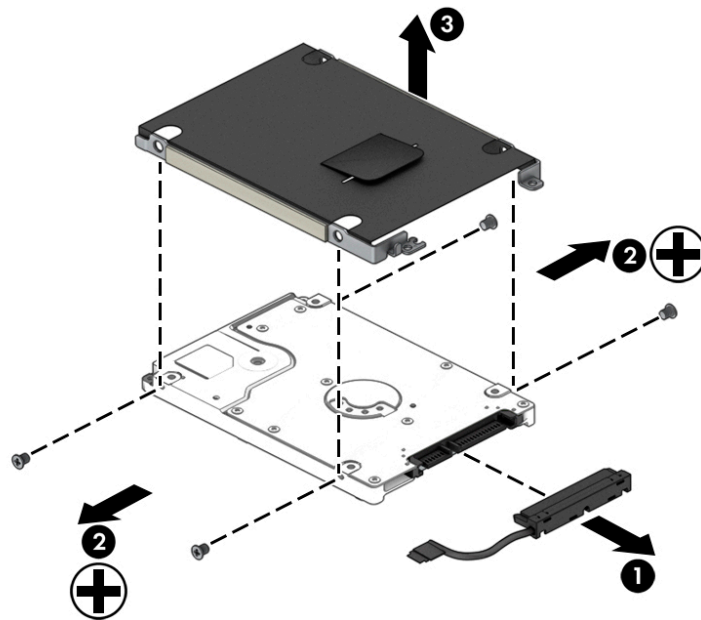
1. Prepare the computer for disassembly ([Preparation for disassembly on page 28](#)).
2. Place the computer in Battery Safe mode ([Battery Safe mode on page 28](#)).
3. Remove the bottom cover ([Bottom cover on page 29](#)).
4. Remove the battery ([Battery on page 30](#)).

Remove the hard drive:

1. Release the ZIF connector **(1)**, and then disconnect the hard drive cable from the system board **(2)**.
2. Remove the two Phillips M2.0 × 4.0 screws **(3)** that secure the hard drive to the computer.
3. Use the tab **(4)** to lift the hard drive from the bay **(5)**.



4. To disassemble the hard drive, disconnect the connector from the hard drive **(1)**, remove the four Phillips M3.0 × 3.0 screws **(2)** that secure the cover to the drive, and then lift the cover off the drive **(3)**.



Reverse these procedures to install a hard drive.

Speaker assembly

Table 5-7 Speaker assembly description and part number

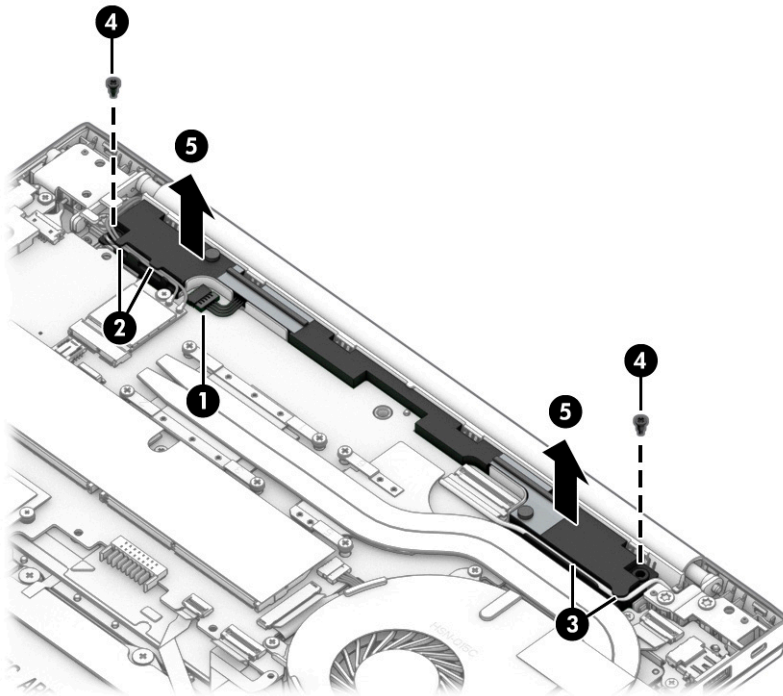
Description	Spare part number
Speaker assembly	L44554-001

Before removing the speaker assembly, follow these steps:

1. Prepare the computer for disassembly ([Preparation for disassembly on page 28](#)).
2. Place the computer in Battery Safe mode ([Battery Safe mode on page 28](#)).
3. Remove the bottom cover ([Bottom cover on page 29](#)).
4. Remove the battery ([Battery on page 30](#)).

Remove the speaker assembly:

1. Disconnect the speaker cable from the system board **(1)**.
2. Remove the WLAN antenna cables from the channel in the right speaker **(2)**.
3. Remove the display cable from the channel in the left speaker **(3)**.
4. Remove the two Phillips M2.0 × 5.5 screws **(4)** that secure the speakers to the computer.
5. Remove the speakers from the computer **(5)**.




Reverse this procedure to install the speaker assembly.

Fan

Table 5-8 Fan description and part number

Description	Spare part number
Fan for use in models with UMA graphics	L44556-001
Fan for use in models with discrete graphics	L44555-001

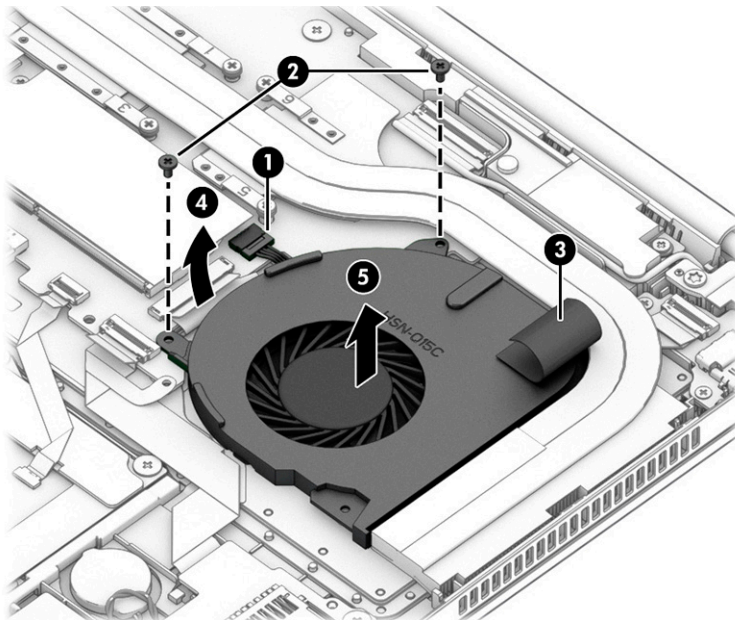
 **NOTE:** To properly ventilate the computer, allow at least **7.6 cm (3.0 in)** of clearance on the sides of the computer. The computer uses an electric fan for ventilation. The fan is controlled by a temperature sensor and is designed to turn on automatically when high temperature conditions exist. These conditions are affected by high external temperatures, system power consumption, power management/battery conservation configurations, battery fast charging, and software requirements. Exhaust air is displaced through the ventilation grill.

Before removing the fan, follow these steps:

1. Prepare the computer for disassembly ([Preparation for disassembly on page 28](#)).
2. Place the computer in Battery Safe mode ([Battery Safe mode on page 28](#)).
3. Remove the bottom cover ([Bottom cover on page 29](#)).
4. Remove the battery ([Battery on page 30](#)).

Remove the fan:

1. Disconnect the fan cable (**1**) from the system board.
2. Remove the two Phillips M2.0 × 4.0 screws (**2**) that secure the fan to the computer.
3. Lift the tape that secures the fan to the heat sink (**3**).
4. Rotate the left side of the fan upward (**4**), and then lift the fan from the computer (**5**).



Reverse this procedure to install the fan.

Heat sink

 **NOTE:** All heat sink spare part kits include replacement thermal material.

Table 5-9 Heat sink descriptions and part numbers

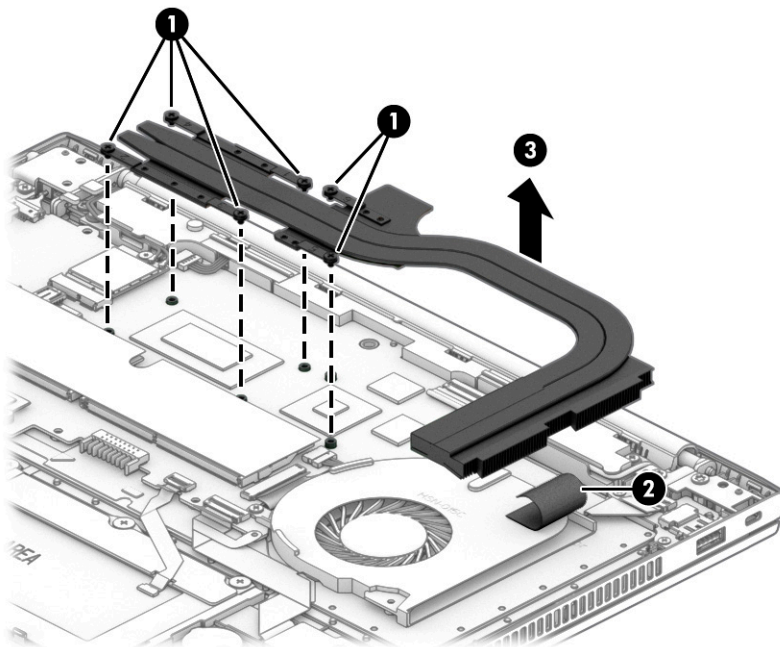
Description	Spare part number
Heat sink for use in models with UMA graphics	L44552-001
Heat sink for use in models with discrete graphics	L62044-001

Before removing the heat sink, follow these steps:

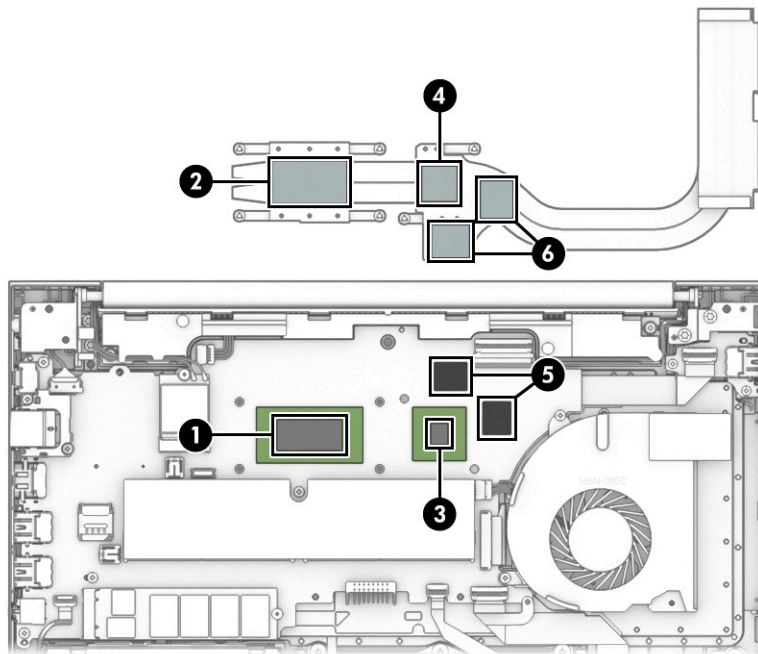
1. Prepare the computer for disassembly ([Preparation for disassembly on page 28](#)).
2. Place the computer in Battery Safe mode ([Battery Safe mode on page 28](#)).
3. Remove the bottom cover ([Bottom cover on page 29](#)).
4. Remove the battery ([Battery on page 30](#)).

Remove the heat sink:

1. To remove the heat sink on models with discrete graphics memory:
 - a. In the order indicated on the heat sink, loosen the six captive Phillips screws **(1)** that secure the heat sink to the system board.
 - b. Lift the tape that secures the heat sink to the fan **(2)**.
 - c. Remove the heat sink from the system board **(3)**.

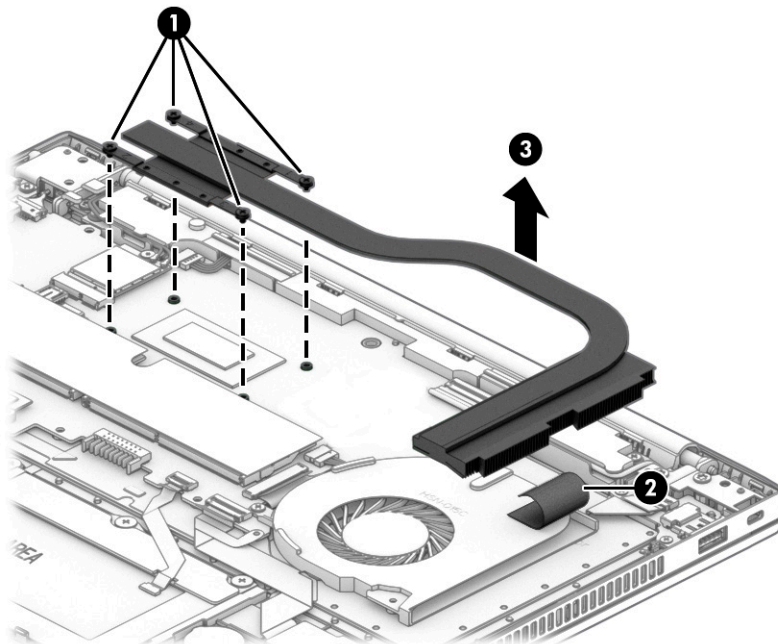


- d. Thoroughly clean thermal material from the surfaces of the system board components **(1) (3) (5)** and the heat sink **(2) (4) (6)** each time you remove the heat sink. All heat sink and system board spare part kits include thermal material.

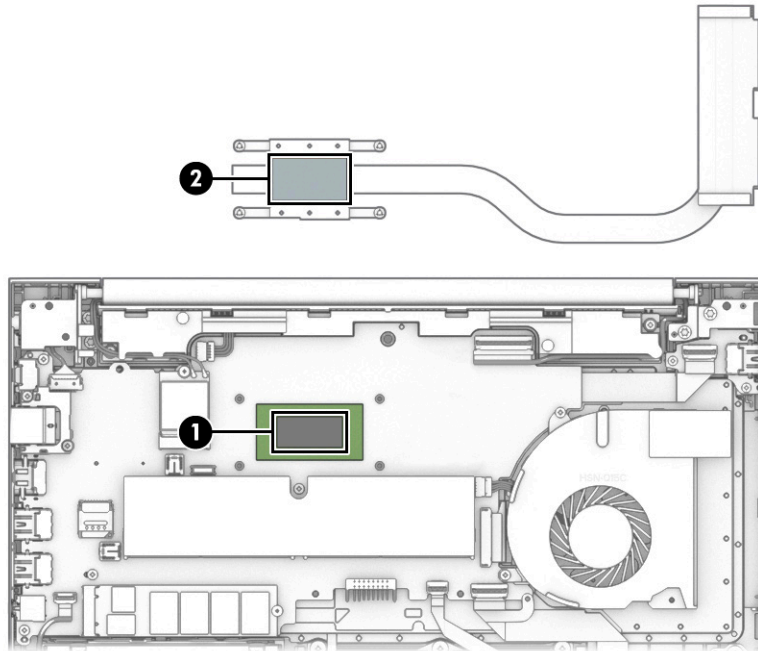


2. To remove the heat sink on models with UMA graphics memory:

- a. In the order indicated on the heat sink, loosen the four captive Phillips screws **(1)** that secure the heat sink to the system board.
- b. Lift the tape that secures the heat sink to the fan **(2)**.
- c. Remove the heat sink from the system board **(3)**.



- d. Thoroughly clean thermal material from the surfaces of the system board component **(1)** and the heat sink **(2)** each time you remove the heat sink. All heat sink and system board spare part kits include thermal material.



Reverse this procedure to install the heat sink.

USB board

Table 5-10 USB board and cable descriptions and part numbers

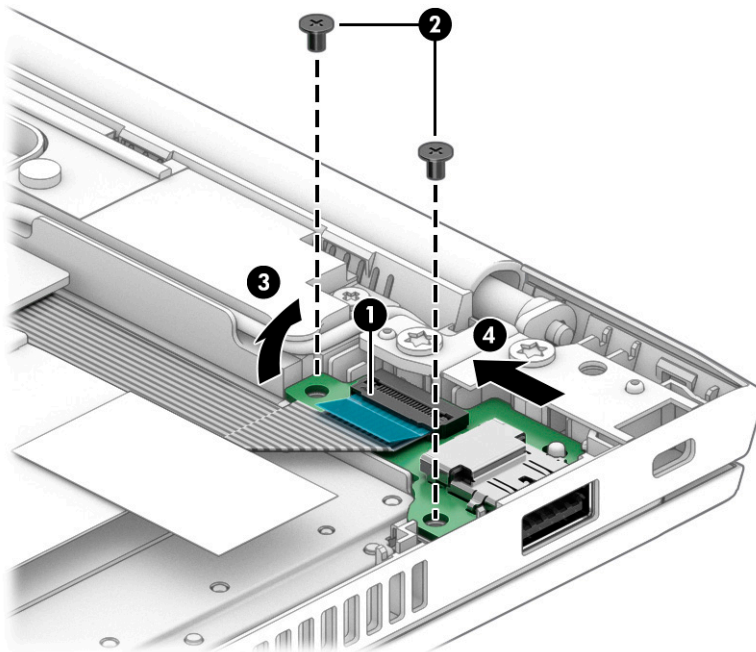
Description	Spare part number
USB board (includes cable)	L44578-001

Before removing the USB board, follow these steps:

1. Prepare the computer for disassembly ([Preparation for disassembly on page 28](#)).
2. Place the computer in Battery Safe mode ([Battery Safe mode on page 28](#)).
3. Remove the bottom cover ([Bottom cover on page 29](#)).
4. Remove the battery ([Battery on page 30](#)).

Remove the USB board:

1. Disconnect the cable from the ZIF connector on the USB board **(1)**.
2. Remove the two Phillips M2.0 × 4.0 screws **(2)** that secure the board to the computer.
3. Lift the rear of the board up **(3)**, and then pull the board away from the connector and out of the computer to remove it **(4)**.



Reverse this procedure to install the USB board.

Touchpad assembly

Table 5-11 Touchpad assembly description and part number

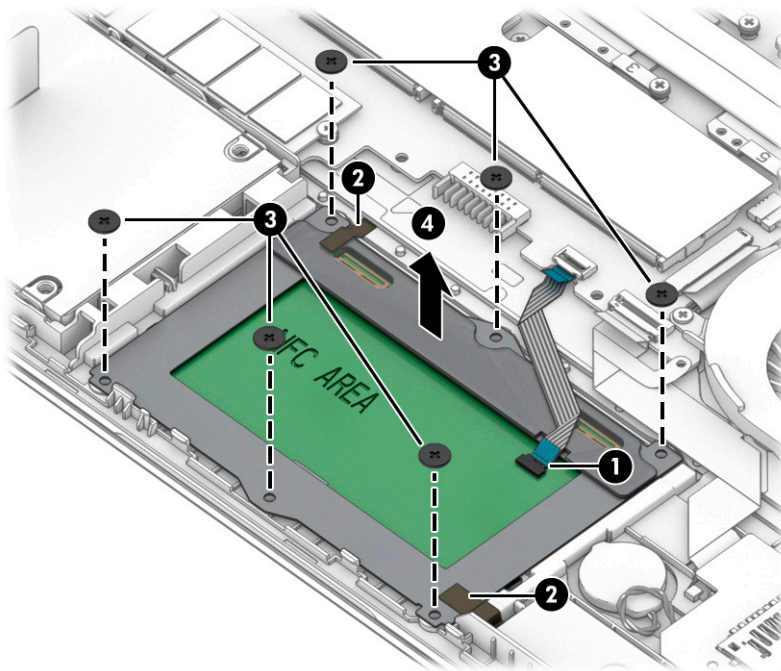
Description	Spare part number
Touchpad assembly (includes cable)	L77252-001

Before removing the touchpad assembly, follow these steps:

1. Prepare the computer for disassembly ([Preparation for disassembly on page 28](#)).
2. Place the computer in Battery Safe mode ([Battery Safe mode on page 28](#)).
3. Remove the bottom cover ([Bottom cover on page 29](#)).
4. Remove the battery ([Battery on page 30](#)).

Remove the touchpad assembly:

1. Disconnect the cable from the ZIF connector on the touchpad **(1)**.
2. Lift the silver tape from the two locations that secure touchpad to the computer **(2)**.
3. Remove the six broad head Phillips M2.0 × 2.0 screws **(3)** that secure the touchpad to the computer.
4. Lift the touchpad from the computer **(4)**.



Reverse this procedure to install the touchpad assembly.

Fingerprint sensor assembly

Table 5-12 Fingerprint sensor assembly descriptions and part numbers


Description	Spare part number
Fingerprint sensor assembly	L77229-001
Fingerprint sensor bracket (included in Bracket Kit)	L77264-001
Fingerprint sensor cable (included in the Cable Kit)	L77263-001
Fingerprint sensor insert (included in Plastics Kit; for use in models without a fingerprint sensor)	L77265-001

Before removing the fingerprint sensor assembly, follow these steps:

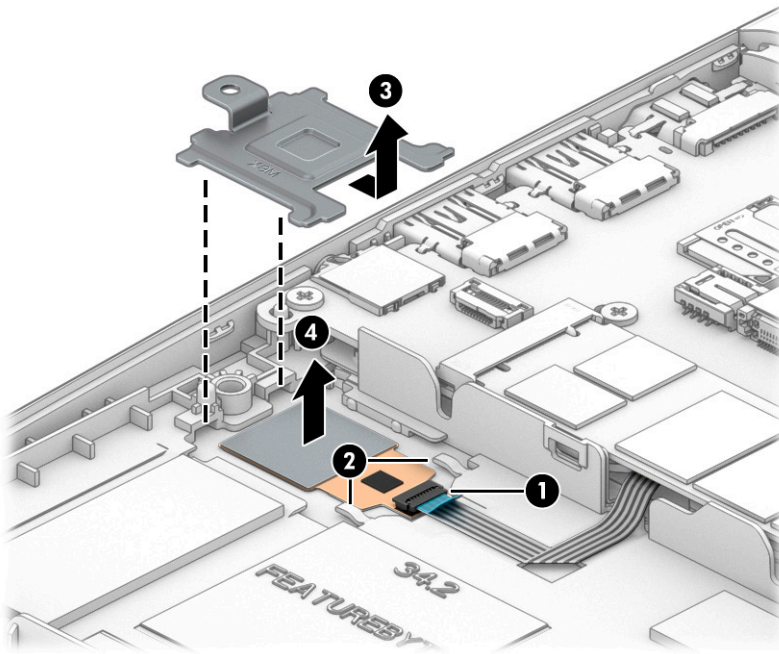
1. Prepare the computer for disassembly ([Preparation for disassembly on page 28](#)).
2. Place the computer in Battery Safe mode ([Battery Safe mode on page 28](#)).
3. Remove the following components:
 - a. Bottom cover ([Bottom cover on page 29](#)).
 - b. Battery ([Battery on page 30](#)).
 - c. Hard drive ([Hard drive on page 36](#))

Remove the fingerprint sensor assembly:

1. Disconnect the cable from the ZIF connector on the fingerprint sensor **(1)**.
2. Lift the two plastic tabs that hold the bracket in place **(2)**.
3. Slide the bracket toward the inside of the computer, and then lift it off the fingerprint sensor board **(3)**.

 **TIP:** A tool may be required to release the bracket.

4. Remove the fingerprint sensor from the computer **(4)**.



Reverse this procedure to install the fingerprint sensor assembly.

Card reader board

Table 5-13 Card reader board description and part number

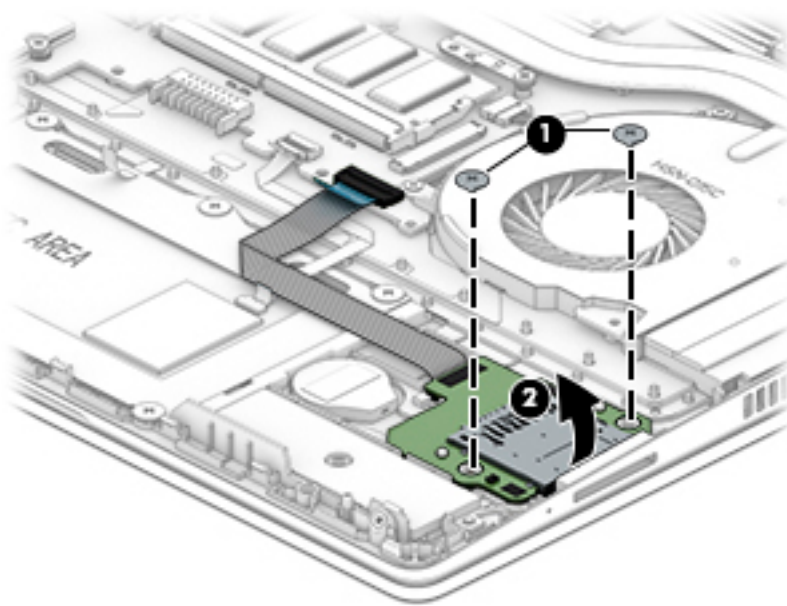
Description	Spare part number
Card reader board assembly (includes cable)	L44579-001

Before removing the card reader board, follow these steps:

1. Prepare the computer for disassembly ([Preparation for disassembly on page 28](#)).
2. Place the computer in Battery Safe mode ([Battery Safe mode on page 28](#)).
3. Remove the bottom cover ([Bottom cover on page 29](#)).
4. Remove the battery ([Battery on page 30](#)).

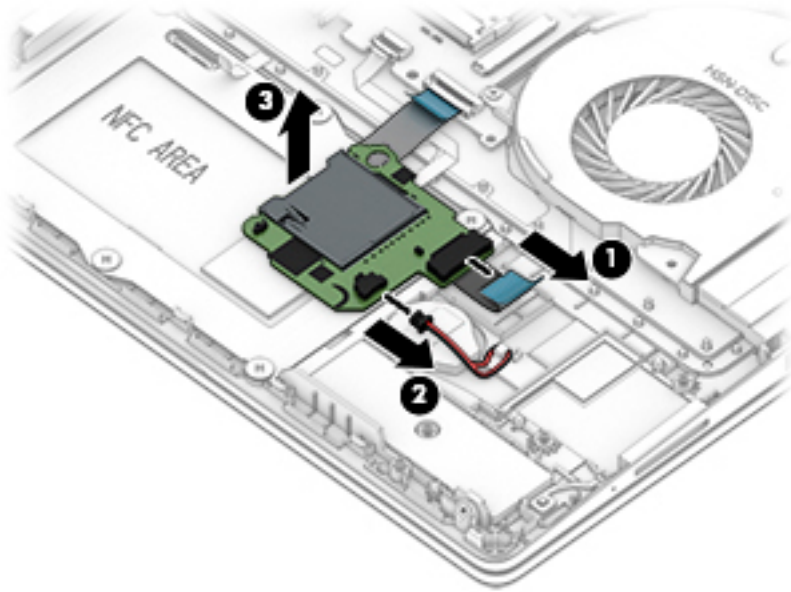
Remove the card reader board:

1. Remove the two Phillips M2.0 × 2.0 screws **(1)** that secure the card reader board to the computer.
2. Lift the board up so that you can access the connectors underneath **(2)**.



3. Disconnect the card reader board cable from the ZIF connector on the card reader board **(1)**.
4. Disconnect the RTC battery from the card reader board **(2)**.

5. Remove the card reader board from the computer **(3)**.



Reverse this procedure to install the card reader board.

RTC battery

Table 5-14 RTC battery description and part number

Description	Spare part number
RTC battery	L02772-001

Before removing the RTC battery, follow these steps:

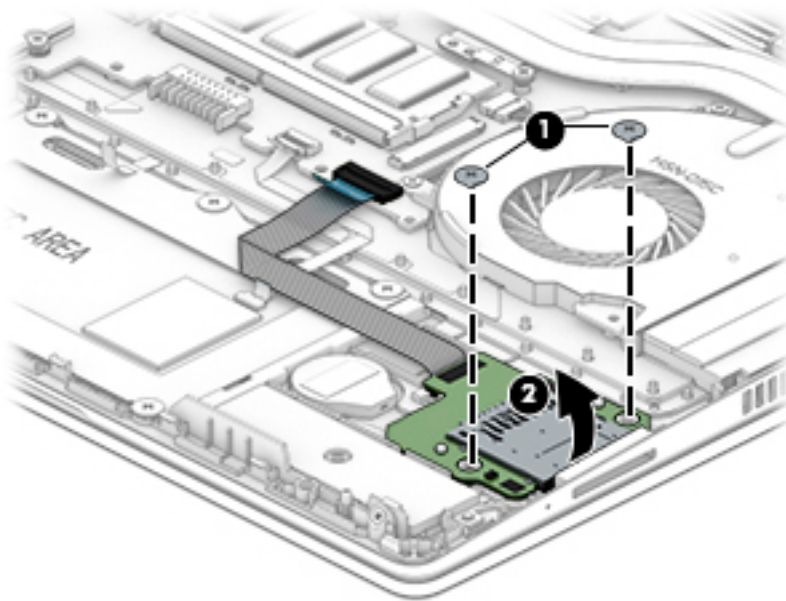
1. Prepare the computer for disassembly ([Preparation for disassembly on page 28](#)).
2. Place the computer in Battery Safe mode ([Battery Safe mode on page 28](#)).
3. Remove the bottom cover ([Bottom cover on page 29](#)).
4. Remove the battery ([Battery on page 30](#)).

Remove the RTC battery:



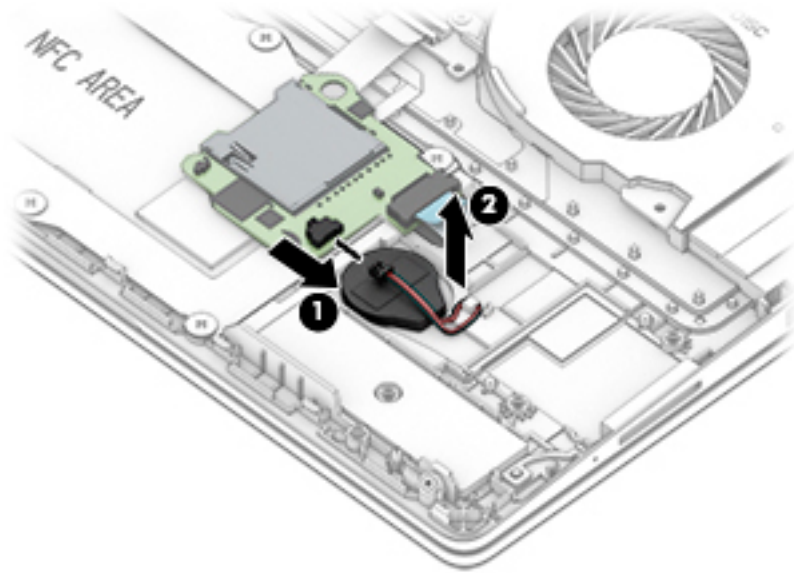
NOTE: The RTC battery connector is located on the bottom of the card reader board.

1. Remove the two Phillips M2.0 × 2.0 screws **(1)** that secure the card reader board to the computer.
2. Lift the board up so that you can access the connectors underneath **(2)**.



3. Disconnect the RTC battery from the card reader board **(1)**.

4. Lift the battery to disengage it from the adhesive that secures it to the computer **(2)**.



Reverse this procedure to install the RTC battery.

Power connector cable

Table 5-15 Power connector cable description and part number

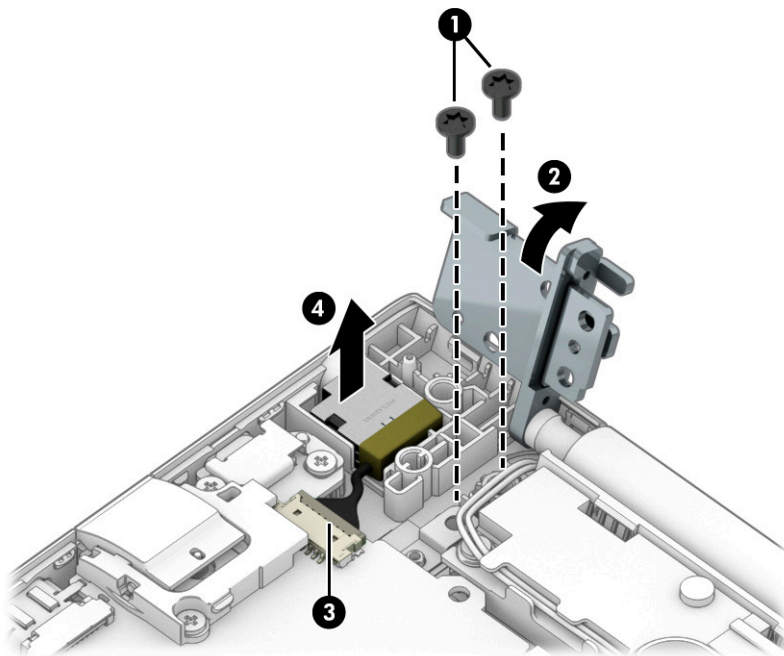
Description	Spare part number
Power connector cable	L01048-001

Before removing the power connector cable, follow these steps:

1. Prepare the computer for disassembly ([Preparation for disassembly on page 28](#)).
2. Place the computer in Battery Safe mode ([Battery Safe mode on page 28](#)).
3. Remove the bottom cover ([Bottom cover on page 29](#)).
4. Remove the battery ([Battery on page 30](#)).

Remove the power connector cable:

1. Remove the two Torx T8 2.5 × 4.0 screws **(1)** that secure the right hinge to the computer, and the rotate the hinge to the open position **(2)**.
2. Disconnect the cable from the system board **(3)**.
3. Remove the power connector cable from the computer **(4)**.



Reverse this procedure to install the power connector cable.

System board



NOTE: All system board spare part kits include replacement thermal material.

All system boards use the following part numbers:

xxxxxx-001: Non-Windows operating systems

xxxxxx-601: Windows 10 operating system

Table 5-16 System board descriptions and part numbers

Description	Spare part number
Intel Core i5-10210U processor for use in models with UMA graphics memory	L77249-xxx
Intel Core i7-10510U processor for use in models with discrete graphics memory	L77251-xx1
Intel Core i5-10210U processor for use in models with discrete graphics memory	L77250-xx1

Before removing the system board, follow these steps:

1. Prepare the computer for disassembly ([Preparation for disassembly on page 28](#)).
2. Place the computer in Battery Safe mode ([Battery Safe mode on page 28](#)).
3. Remove the following components:
 - a. Bottom cover ([Bottom cover on page 29](#)).
 - b. Battery ([Battery on page 30](#))
 - c. Fan ([Fan on page 39](#))

When replacing the system board, be sure to remove the following components (as applicable) from the defective system board and install on the replacement system board:

- Memory modules ([Memory modules on page 31](#))
- WLAN/Bluetooth module ([WLAN/Bluetooth combo card on page 33](#))
- M.2 solid-state drive ([M.2 solid-state drive on page 35](#))
- Heat sink ([Heat sink on page 40](#))

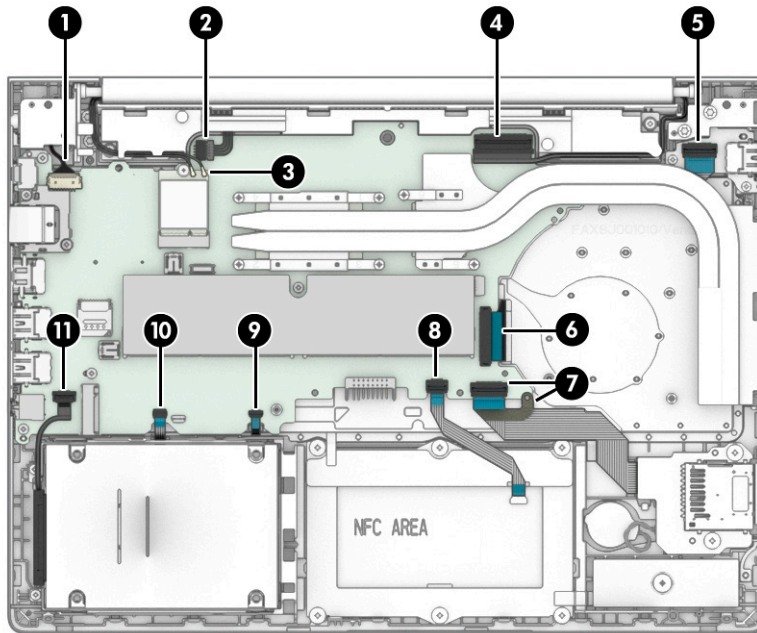
Remove the system board:

1. Disconnect the following cables from the system board:
 - (1) Power connector cable
 - (2) Speaker cable
 - (3) Antennas from WLAN module (select models only)
 - (4) Display cable (ZIF)
 - (5) USB cable from USB board (ZIF)
 - (6) Keyboard cable (ZIF)
 - (7) Card reader cable (ZIF) and tape
 - (8) Touchpad cable (ZIF)

(9) Keyboard backlight cable (ZIF)

(10) Fingerprint sensor cable (ZIF)

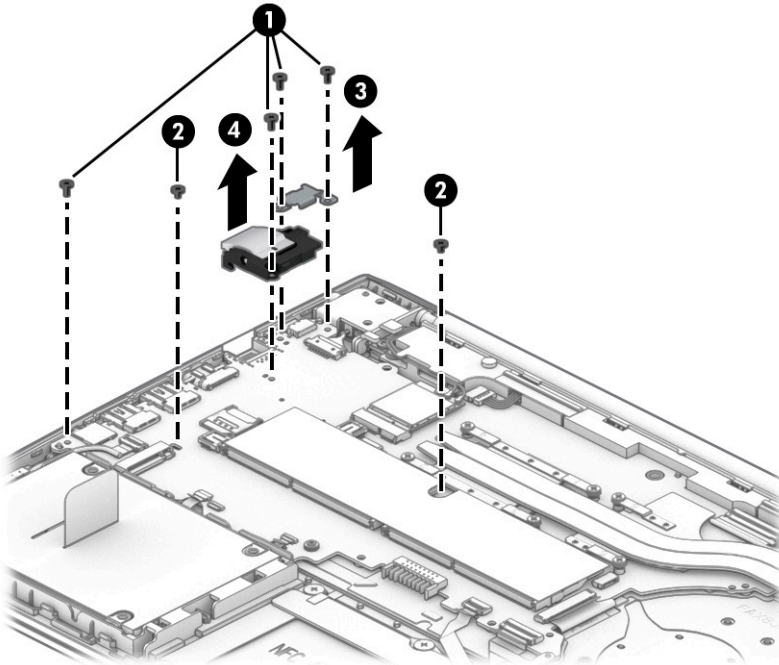
(11) Hard drive cable (ZIF)



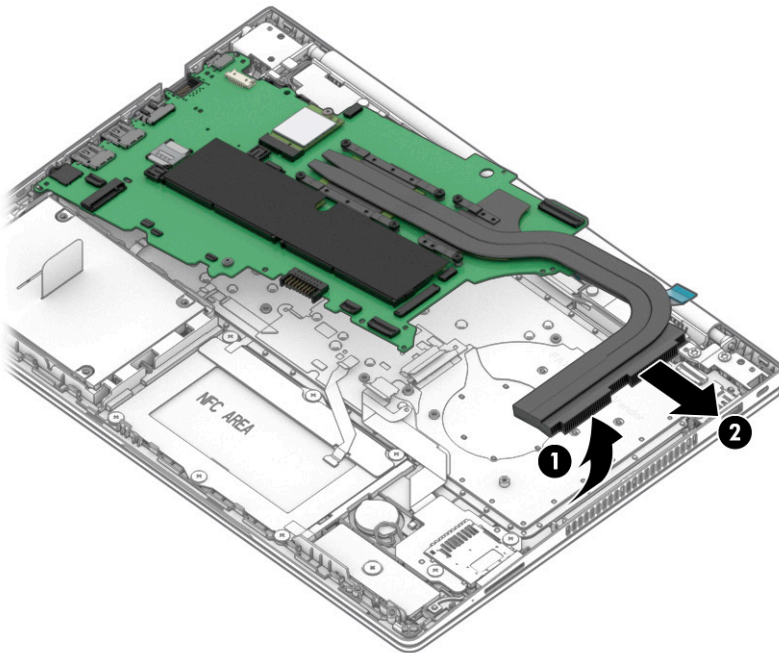
- 2.** Remove the four Phillips M2.0 × 4.0 screws **(1)** that secure the system board to the computer.
- 3.** Remove the two Phillips M2.0 × 2.5 screws **(2)** that secure the system board to the computer.
- 4.** Remove the bracket that covers the USB-Type C port **(3)**.

5. Remove the RJ-45 cover (4).

The USB bracket and RJ-45 cover are available in the Bracket Kit as spare part number L77264-001.



6. Rotate the right side of the system board upward (1).
7. Pull the system board away from the connectors on the side of the chassis to remove it from the computer (2).



Reverse this procedure to install the system board.

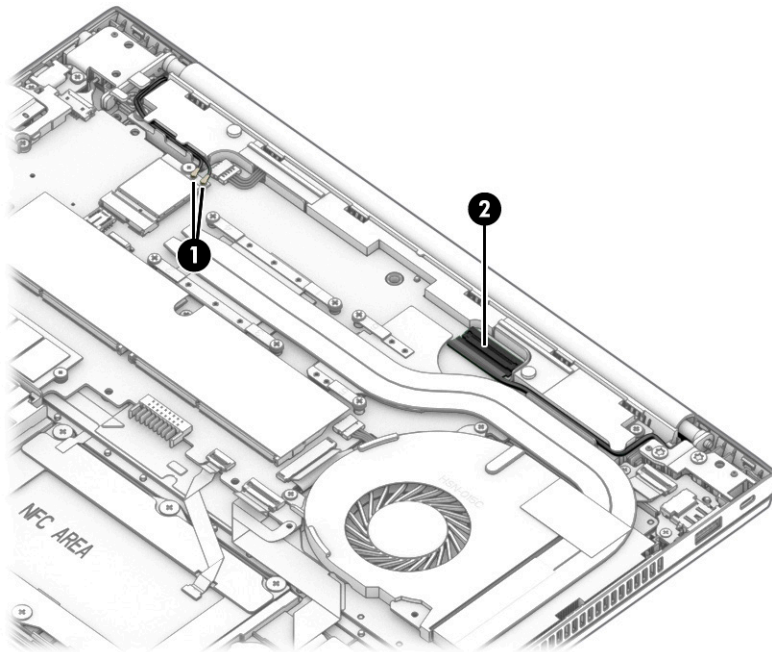
Display assembly

Before disassembling the display assembly, follow these steps:

1. Prepare the computer for disassembly ([Preparation for disassembly on page 28](#)).
2. Place the computer in Battery Safe mode ([Battery Safe mode on page 28](#)).
3. Remove the bottom cover ([Bottom cover on page 29](#)).
4. Remove the battery ([Battery on page 30](#)).

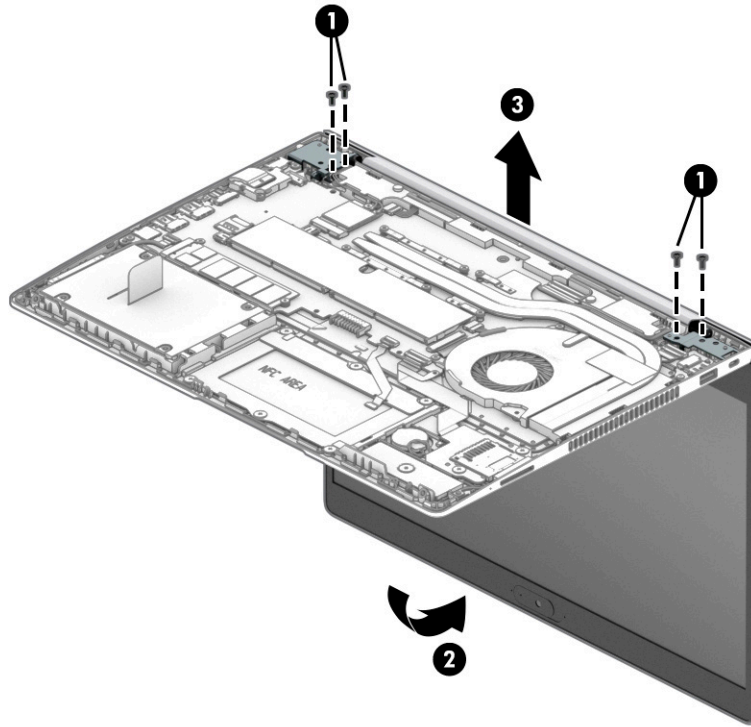
Disassemble the display assembly:

1. Remove the display assembly from the computer:
 - a. Disconnect the antenna cables from the WLAN module **(1)**.
 - b. Disconnect the display cable from the system board ZIF connector **(2)**.



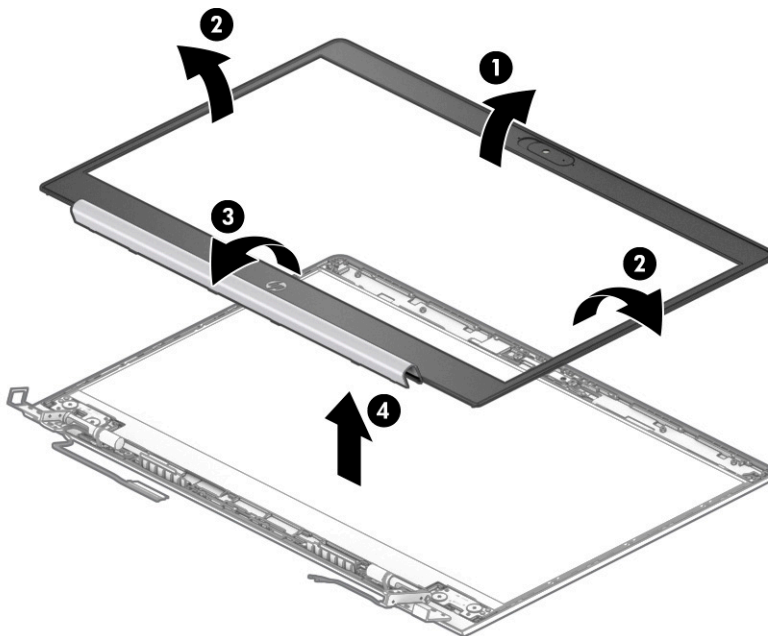
- c. Remove the four Torx T8 2.5 × 4.0 screws **(1)** that secure the display assembly to the computer.

- d. Open the display to an approximate 90° angle (2), and then separate the display from the computer (3).




2. Flex the top (1) of the bezel, the inside edges of the left and right sides (2), and the bottom (3) of the bezel until it disengages from the display enclosure.
3. Remove the display bezel (4).

The bezel is available as spare part number L77253-001.



4. The display panel is secured to the display enclosure with tape that is installed under the left and right sides of the panel. To remove the panel, use tweezers to grasp the end of the tape **(1)**. While turning the tweezers **(2)**, wrap the tape around the tweezers **(3)** as you continue to pull the tape out from behind the display panel. You must pull the tape multiple times before it is completely removed.

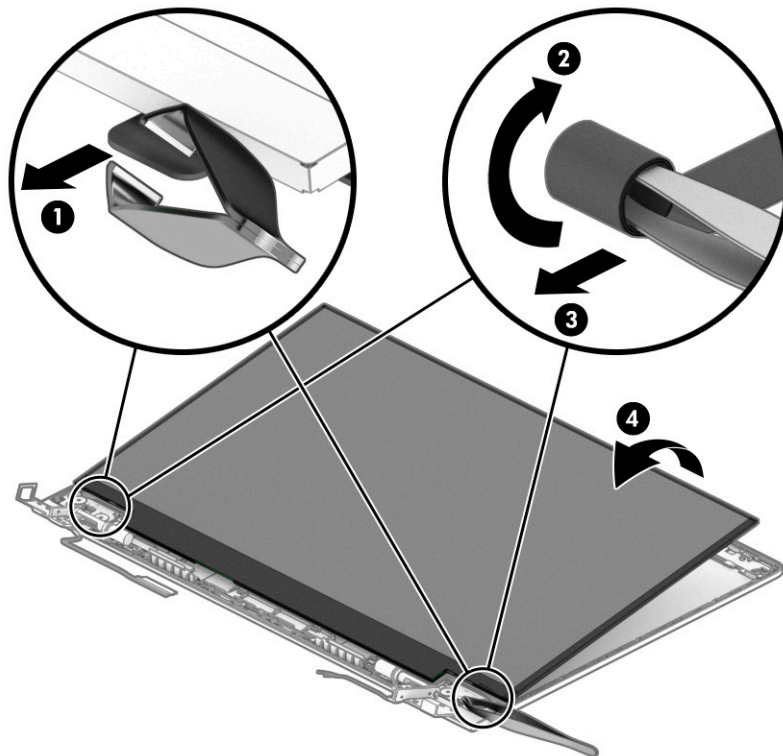
 **IMPORTANT:** If the tape tears, do not attempt to pry the panel off the enclosure. Doing so might break the panel.

The ends of the tape are accessible at both the top and bottom of the display panel.

To avoid tearing the tape, do not pull on it with the sharp end of tweezers.

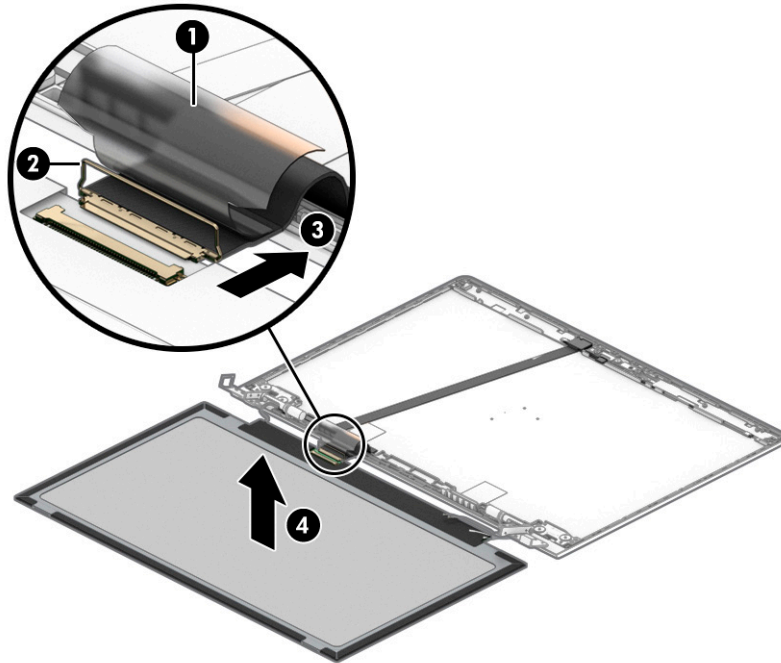
5. Rotate the display panel over and place next to the display enclosure **(4)**.

Display panels are available as spare part number L77256-001 for 250-nit panels and L77257-001 for 400-nit panels.



6. Lift the tape from the connector on the display panel **(1)**, lift the locking lever **(2)**, and then disconnect the cable from the panel **(3)**.

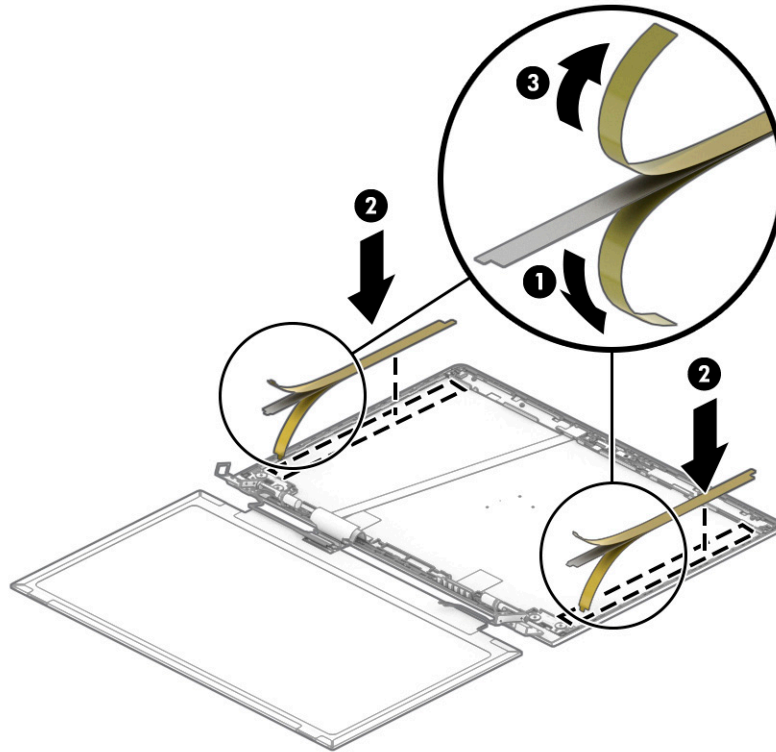
7. Remove the panel **(4)**.



8. Use the following steps to install a display panel:

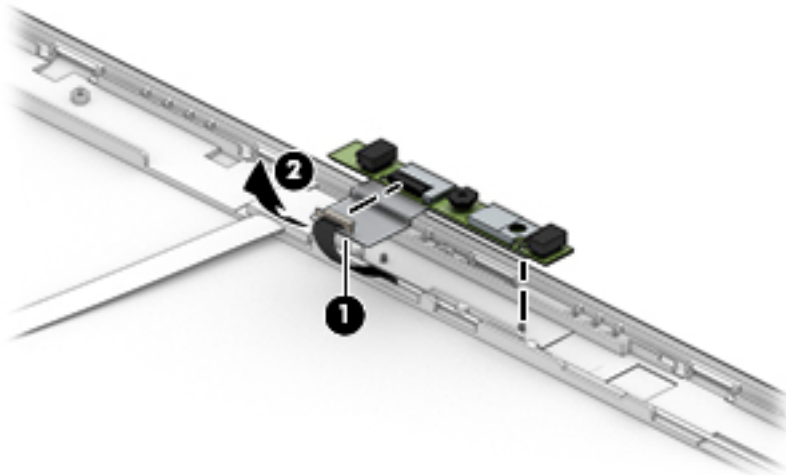
- a. Remove the backing from the bottom of the new tape to install in the display enclosure **(1)**.
- b. Locate the tape alignment marks, and then install the tape onto the left and right sides on the inside of the enclosure **(2)**.
- c. Remove the backing from the top of the installed tape **(3)**.

- d. Rotate the panel into place in the display enclosure.

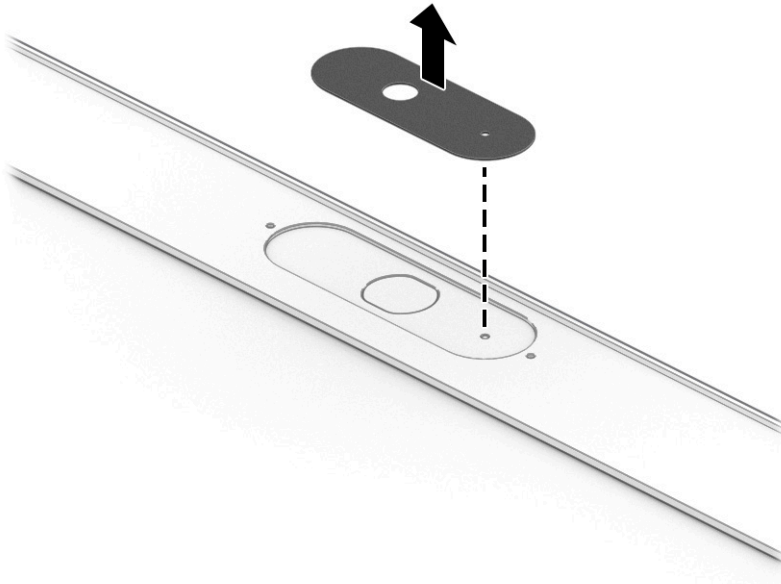


9. If it is necessary to remove or replace the HD camera, disconnect the cable from the camera (1), and then peel the silver tape up to remove the module from the enclosure (2).

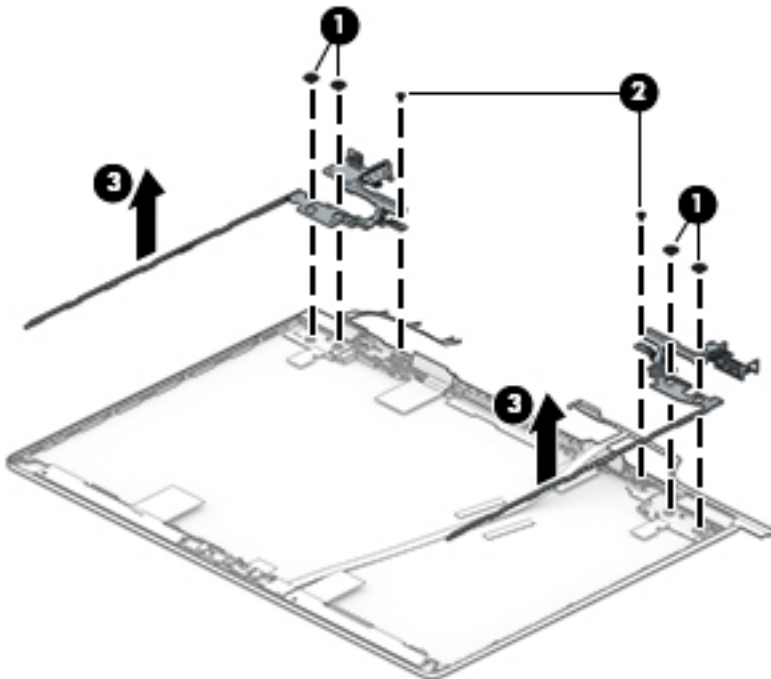
The HD camera is available as spare part number L81889-001.



10. If it is necessary to remove the camera privacy cover, lift the cover straight up and off the display. The camera privacy cover is available as spare part number L77237-001.

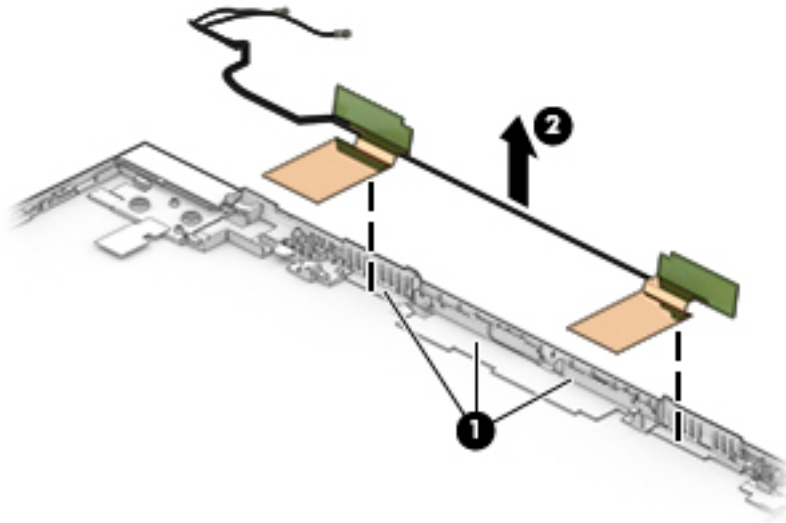


11. If it is necessary to remove the hinges from the display enclosure, remove the two Phillips broad head M2.5 × 2.5 screws (1) and the Phillips M2.0 × 4.0 screw (2) from the bottom of each hinge.
 12. Remove the hinges from the enclosure (3).
- The display hinges are available as spare part number L78093-001.



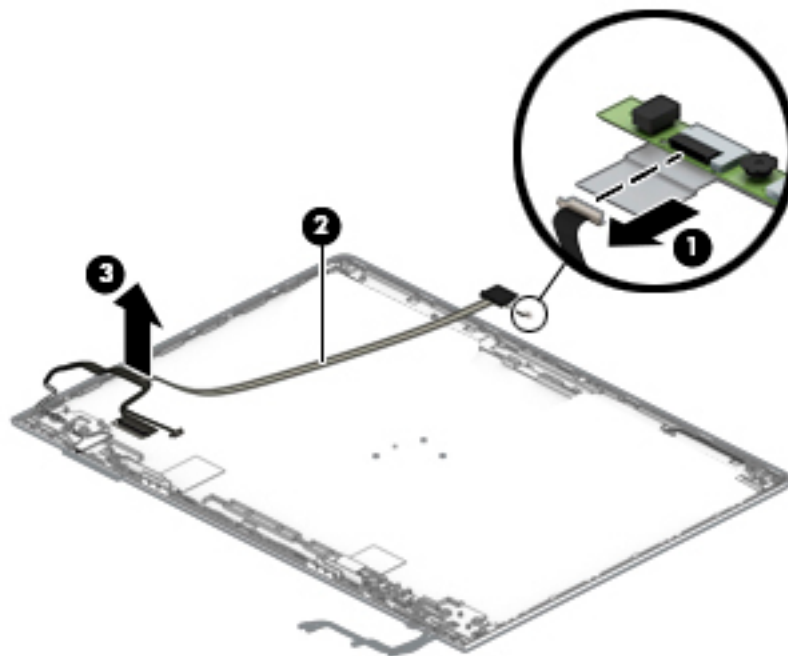
- 13.** If it is necessary to replace the WLAN antennas, remove the cables from the clips in the bottom of the enclosure **(1)**, and then peel the antennas and remove them from the display enclosure **(2)**.

WLAN antennas are available as spare part number L78070-001.



- 14.** If it is necessary to remove or replace the display/camera cable, use the following steps:

- a.** Disconnect the cable from the ZIF connector on the camera module **(1)**.
- b.** Pull the cable up to disengage it from the adhesive that secures it to the inside of the enclosure **(2)**, and then remove the cable from the enclosure **(3)**.



Reverse this procedure to reassemble the display assembly.

Keyboard/top cover

The top cover with keyboard remains after removing all other spare parts from the computer.

Table 5-17 Keyboard/top cover descriptions and part numbers

Description	Spare part number
Keyboard/top cover, no backlight, for use in the People's Republic of China	L67442-001
Keyboard/top cover, with backlight, for use in the People's Republic of China	L67441-001

6 Computer Setup (BIOS), TPM, and HP Sure Start

Using Computer Setup

Computer Setup, or Basic Input/Output System (BIOS), controls communication between all the input and output devices on the system (such as disk drives, display, keyboard, mouse, and printer). Computer Setup includes settings for the types of devices installed, the startup sequence of the computer, and the amount of system and extended memory.

 **NOTE:** Use extreme care when making changes in Computer Setup. Errors can prevent the computer from operating properly.

Starting Computer Setup

- ▲ Turn on or restart the computer, and when the HP logo appears, press **f10** to enter Computer Setup.

Navigating and selecting in Computer Setup

- To select a menu or a menu item, use the **tab** key and the keyboard arrow keys and then press **enter**, or use a pointing device to select the item.
- To scroll up and down, select the up arrow or the down arrow in the upper-right corner of the screen, or use the up arrow key or the down arrow key on the keyboard.
- To close open dialog boxes and return to the main Computer Setup screen, press **esc**, and then follow the on-screen instructions.

To exit Computer Setup, choose one of the following methods:

- To exit Computer Setup menus without saving your changes, select **Main**, select **Ignore Changes and Exit**, and then select **Yes**.

 **NOTE:** If you are using arrow keys to highlight your choice, you must then press **enter**.

- To save your changes and exit Computer Setup menus, select **Main**, select **Save Changes and Exit**, and then select **Yes**.

 **NOTE:** If you are using arrow keys to highlight your choice, you must then press **enter**.

Your changes go into effect when the computer restarts.


Restoring factory settings in Computer Setup

 **NOTE:** Restoring defaults will not change the hard drive mode.

To return all settings in Computer Setup to the values that were set at the factory, follow these steps:

1. Start Computer Setup. See [Starting Computer Setup on page 63](#).
2. Select **Main**, select **Apply Factory Defaults and Exit**, and then select **Yes**.

 **NOTE:** If you are using arrow keys to highlight your choice, you must then press **enter**.

 **NOTE:** On select products, the selections may display **Restore Defaults** instead of **Apply Factory Defaults and Exit**.

Your changes go into effect when the computer restarts.

 **NOTE:** Your password settings and security settings are not changed when you restore the factory settings.

Updating the BIOS

Updated versions of the BIOS may be available on the HP website.

Most BIOS updates on the HP website are packaged in compressed files called *SoftPaqs*.

Some download packages contain a file named *Readme.txt*, which contains information regarding installing and troubleshooting the file.

Determining the BIOS version

To decide whether you need to update Computer Setup (BIOS), first determine the BIOS version on your computer.


BIOS version information (also known as *ROM date* and *System BIOS*) can be accessed by pressing **fn+esc** (if you are already in Windows) or by using Computer Setup.

1. Start Computer Setup. See [Starting Computer Setup on page 63](#).
2. Select **Main**, and then select **System Information**.
3. To exit Computer Setup menus without saving your changes, select **Main**, select **Ignore Changes and Exit**, and then select **Yes**.

 **NOTE:** If you are using arrow keys to highlight your choice, you must then press **enter**.

To check for later BIOS versions, see [Downloading a BIOS update on page 64](#).

Downloading a BIOS update

 **CAUTION:** To reduce the risk of damage to the computer or an unsuccessful installation, download and install a BIOS update only when the computer is connected to reliable external power using the AC adapter. Do not download or install a BIOS update while the computer is running on battery power, docked in an optional docking device, or connected to an optional power source. During the download and installation, follow these instructions:

Do not disconnect power on the computer by unplugging the power cord from the AC outlet.


Do not shut down the computer or initiate Sleep.

Do not insert, remove, connect, or disconnect any device, cable, or cord.

1. Type `support` in the taskbar search box, and then select the HP Support Assistant app.
– or –
Select the question mark icon in the taskbar.
2. Select **Updates**, and then select **Check for updates and messages**.
3. Follow the on-screen instructions.
4. At the download area, follow these steps:

- a. Identify the most recent BIOS update and compare it to the BIOS version currently installed on your computer. Make a note of the date, name, or other identifier. You may need this information to locate the update later, after it has been downloaded to your hard drive.
- b. Follow the on-screen instructions to download your selection to the hard drive.

Make a note of the path to the location on your hard drive where the BIOS update is downloaded. You will need to access this path when you are ready to install the update.


 **NOTE:** If you connect your computer to a network, consult the network administrator before installing any software updates, especially system BIOS updates.

BIOS installation procedures vary. Follow any instructions that are displayed on the screen after the download is complete. If no instructions are displayed, follow these steps:

1. Type `file` in the taskbar search box, and then select **File Explorer**.
2. Select your hard drive designation. The hard drive designation is typically Local Disk (C:).
3. Using the hard drive path you recorded earlier, open the folder that contains the update.
4. Double-click the file that has an `.exe` extension (for example, `filename.exe`).

The BIOS installation begins.

5. Complete the installation by following the on-screen instructions.


 **NOTE:** After a message on the screen reports a successful installation, you can delete the downloaded file from your hard drive.

Changing the boot order using the f9 prompt

To dynamically choose a boot device for the current startup sequence, follow these steps:

1. Access the Boot Device Options menu:
 - Turn on or restart the computer, and when the HP logo appears, press **f9** to enter the Boot Device Options menu.
2. Select a boot device, press **enter**, and then follow the on-screen instructions.

TPM BIOS settings (select products only)

 **IMPORTANT:** Before enabling Trusted Platform Module (TPM) functionality on this system, you must ensure that your intended use of TPM complies with relevant local laws, regulations and policies, and approvals or licenses must be obtained if applicable. For any compliance issues arising from your operation/usage of TPM which violates the above mentioned requirement, you shall bear all the liabilities wholly and solely. HP will not be responsible for any related liabilities.

TPM provides additional security for your computer. You can modify the TPM settings in Computer Setup (BIOS).

 **NOTE:** If you change the TPM setting to Hidden, TPM is not visible in the operating system.

To access TPM settings in Computer Setup:

1. Start Computer Setup. See [Starting Computer Setup on page 63](#).
2. Select **Security**, select **TPM Embedded Security**, and then follow the on-screen instructions.

Using HP Sure Start (select products only)

Select computer models are configured with HP Sure Start, a technology that monitors the computer's BIOS for attacks or corruption. If the BIOS becomes corrupted or is attacked, HP Sure Start automatically restores the BIOS to its previously safe state, without user intervention.

HP Sure Start is configured and already enabled so that most users can use the HP Sure Start default configuration. The default configuration can be customized by advanced users.

To access the latest documentation on HP Sure Start, go to <http://www.hp.com/support>. Select **Find your product**, and then follow the on-screen instructions.

7 Using HP PC Hardware Diagnostics

Using HP PC Hardware Diagnostics Windows (select products only)

HP PC Hardware Diagnostics Windows is a Windows-based utility that allows you to run diagnostic tests to determine whether the computer hardware is functioning properly. The tool runs within the Windows operating system to diagnose hardware failures.

If HP PC Hardware Diagnostics Windows is not installed on your computer, first you must download and install it. To download HP PC Hardware Diagnostics Windows, see [Downloading HP PC Hardware Diagnostics Windows on page 67](#).

After HP PC Hardware Diagnostics Windows is installed, follow these steps to access it from HP Help and Support or HP Support Assistant.

1. To access HP PC Hardware Diagnostics Windows from HP Help and Support:

- a. Select the **Start** button, and then select **HP Help and Support**.
- b. Select **HP PC Hardware Diagnostics Windows**.

– or –

To access HP PC Hardware Diagnostics Windows from HP Support Assistant:

- a. Type `support` in the taskbar search box, and then select the **HP Support Assistant** app.

– or –

Select the question mark icon in the taskbar.

- b. Select **Troubleshooting and fixes**.
- c. Select **Diagnostics**, and then select **HP PC Hardware Diagnostics Windows**.

2. When the tool opens, select the type of diagnostic test that you want to run, and then follow the on-screen instructions.



NOTE: To stop a diagnostic test, select **Cancel**.

When HP PC Hardware Diagnostics Windows detects a failure that requires hardware replacement, a 24-digit Failure ID code is generated. The screen displays one of the following options:

- A Failure ID link is displayed. Select the link and follow the on-screen instructions.
- Instructions for calling support are displayed. Follow those instructions.

Downloading HP PC Hardware Diagnostics Windows

- The HP PC Hardware Diagnostics Windows downloading instructions are provided in English only.
- You must use a Windows computer to download this tool because only .exe files are provided.

Downloading the latest HP PC Hardware Diagnostics Windows version

To download HP PC Hardware Diagnostics Windows, follow these steps:

1. Go to <http://www.hp.com/go/techcenter/pcdiags>. The HP PC Diagnostics home page is displayed.
2. Select **Download HP Diagnostics Windows**, and then select a location on your computer or a USB flash drive.

The tool downloads to the selected location.

Downloading HP Hardware Diagnostics Windows by product name or number (select products only)



NOTE: For some products, you might have to download the software to a USB flash drive by using the product name or number.

To download HP PC Hardware Diagnostics Windows by product name or number, follow these steps:

1. Go to <http://www.hp.com/support>.
2. Select **Get software and drivers**, select your type of product, and then enter the product name or number in the search box that is displayed.
3. In the **Diagnostics** section, select **Download**, and then follow the on-screen instructions to select the specific Windows diagnostics version to be downloaded to your computer or USB flash drive.

The tool downloads to the selected location.

- or -

You can use the following steps to download the HP PC Hardware Diagnostics Windows from the Microsoft Store:

1. Select the Microsoft app on your desktop or enter `Microsoft Store` in the taskbar search box.
2. Enter `HP PC Hardware Diagnostics Windows` in the Microsoft Store search box.
3. Follow the on-screen directions.

The tool downloads to the selected location.

Installing HP PC Hardware Diagnostics Windows

To install HP PC Hardware Diagnostics Windows, follow these steps:

- ▲ Navigate to the folder on your computer or the USB flash drive where the .exe file downloads, double-click the .exe file, and then follow the on-screen instructions.

Using HP PC Hardware Diagnostics UEFI




NOTE: For Windows 10 S computers, you must use a Windows computer and a USB flash drive to download and create the HP UEFI support environment because only .exe files are provided. For more information, see [Downloading HP PC Hardware Diagnostics UEFI to a USB flash drive on page 69](#).

HP PC Hardware Diagnostics UEFI (Unified Extensible Firmware Interface) allows you to run diagnostic tests to determine whether the computer hardware is functioning properly. The tool runs outside the operating system so that it can isolate hardware failures from issues that are caused by the operating system or other software components.

If your PC does not start in Windows, you can use HP PC Hardware Diagnostics UEFI to diagnose hardware issues.

When HP PC Hardware Diagnostics UEFI detects a failure that requires hardware replacement, a 24-digit Failure ID code is generated. For assistance in solving the problem:

- ▲ Select **Contact HP**, accept the HP privacy disclaimer, and then use a mobile device to scan the Failure ID that appears on the next screen. The HP Customer Support - Service Center page appears with your Failure ID and product number automatically filled in. Follow the on-screen instructions.
- or –
- Contact support, and provide the Failure ID code.

 **NOTE:** To start diagnostics on a convertible computer, your computer must be in notebook mode, and you must use the attached keyboard.

 **NOTE:** If you need to stop a diagnostic test, press *esc*.

Starting HP PC Hardware Diagnostics UEFI

To start HP PC Hardware Diagnostics UEFI, follow these steps:

1. Turn on or restart the computer, and quickly press *esc*.
2. Press *f2*.

The BIOS searches three places for the diagnostic tools, in the following order:

- a. Connected USB flash drive

 **NOTE:** To download the HP PC Hardware Diagnostics UEFI tool to a USB flash drive, see [Downloading the latest HP PC Hardware Diagnostics UEFI version on page 69](#).

- b. Hard drive


- c. BIOS

3. When the diagnostic tool opens, select a language, select the type of diagnostic test you want to run, and then follow the on-screen instructions.

Downloading HP PC Hardware Diagnostics UEFI to a USB flash drive

Downloading HP PC Hardware Diagnostics UEFI to a USB flash drive can be useful in the following situations:

- HP PC Hardware Diagnostics UEFI is not included in the preinstallation image.
- HP PC Hardware Diagnostics UEFI is not included in the HP Tool partition.
- The hard drive is damaged.

 **NOTE:** The HP PC Hardware Diagnostics UEFI downloading instructions are provided in English only, and you must use a Windows computer to download and create the HP UEFI support environment because only .exe files are provided.

Downloading the latest HP PC Hardware Diagnostics UEFI version

To download the latest HP PC Hardware Diagnostics UEFI version to a USB flash drive:

1. Go to <http://www.hp.com/go/techcenter/pcdiags>. The HP PC Diagnostics home page is displayed.
2. Select **Download HP Diagnostics UEFI**, and then select **Run**.

Downloading HP PC Hardware Diagnostics UEFI by product name or number (select products only)



NOTE: For some products, you might have to download the software to a USB flash drive by using the product name or number.

To download HP PC Hardware Diagnostics UEFI by product name or number (select products only) to a USB flash drive:

1. Go to <http://www.hp.com/support>.
2. Enter the product name or number, select your computer, and then select your operating system.
3. In the **Diagnostics** section, follow the on-screen instructions to select and download the specific UEFI Diagnostics version for your computer.

Using Remote HP PC Hardware Diagnostics UEFI settings (select products only)

Remote HP PC Hardware Diagnostics UEFI is a firmware (BIOS) feature that downloads HP PC Hardware Diagnostics UEFI to your computer. It can then execute the diagnostics on your computer, and it might upload results to a preconfigured server. For more information about Remote HP PC Hardware Diagnostics UEFI, go to <http://www.hp.com/go/techcenter/pcdiags>, and then select **Find out more**.

Downloading Remote HP PC Hardware Diagnostics UEFI



NOTE: HP Remote PC Hardware Diagnostics UEFI is also available as a SoftPaq that you can download to a server.

Downloading the latest Remote HP PC Hardware Diagnostics UEFI version

To download the latest Remote HP PC Hardware Diagnostics UEFI version, follow these steps:

1. Go to <http://www.hp.com/go/techcenter/pcdiags>. The HP PC Diagnostics home page is displayed.
2. Select **Download Remote Diagnostics**, and then select **Run**.

Downloading Remote HP PC Hardware Diagnostics UEFI by product name or number



NOTE: For some products, you might have to download the software by using the product name or number.

To download HP Remote PC Hardware Diagnostics UEFI by product name or number, follow these steps:

1. Go to <http://www.hp.com/support>.
2. Select **Get software and drivers**, select your type of product, enter the product name or number in the search box that is displayed, select your computer, and then select your operating system.
3. In the **Diagnostics** section, follow the on-screen instructions to select and download the **Remote UEFI** version for the product.

Customizing Remote HP PC Hardware Diagnostics UEFI settings

Using the Remote HP PC Hardware Diagnostics setting in Computer Setup (BIOS), you can perform the following customizations:

- Set a schedule for running diagnostics unattended. You can also start diagnostics immediately in interactive mode by selecting **Execute Remote HP PC Hardware Diagnostics**.
- Set the location for downloading the diagnostic tools. This feature provides access to the tools from the HP website or from a server that has been preconfigured for use. Your computer does not require the traditional local storage (such as a hard drive or USB flash drive) to run remote diagnostics.
- Set a location for storing the test results. You can also set the user name and password that you use for uploads.
- Display status information about the diagnostics run previously.

To customize Remote HP PC Hardware Diagnostics UEFI settings, follow these steps:


1. Turn on or restart the computer, and when the HP logo appears, press **f10** to enter Computer Setup.
2. Select **Advanced**, and then select **Settings**.
3. Make your customization selections.
4. Select **Main**, and then **Save Changes and Exit** to save your settings.

Your changes take effect when the computer restarts.

8 Backing up, restoring, and recovering

This chapter provides information about the following processes, which are standard procedure for most products:


- **Backing up your personal information**—You can use Windows tools to back up your personal information (see [Using Windows tools on page 72](#)).
- **Creating a restore point**—You can use Windows tools to create a restore point (see [Using Windows tools on page 72](#)).
- **Creating recovery media** (select products only)—You can use the HP Cloud Recovery Download Tool (select products only) to create recovery media (see [Using the HP Cloud Recovery Download Tool to create recovery media \(select products only\) on page 72](#)).
- **Restoring and recovery**—Windows offers several options for restoring from backup, refreshing the computer, and resetting the computer to its original state (see [Using Windows tools on page 72](#)).

 **IMPORTANT:** If you will be performing recovery procedures on a tablet, the tablet battery must be at least 70% charged before you start the recovery process.

IMPORTANT: For a tablet with a detachable keyboard, connect the tablet to the keyboard base before beginning any recovery process.

Backing up information and creating recovery media

Using Windows tools


 **IMPORTANT:** Windows is the only option that allows you to back up your personal information. Schedule regular backups to avoid information loss.

You can use Windows tools to back up personal information and create system restore points and recovery media.

 **NOTE:** If computer storage is 32 GB or less, Microsoft System Restore is disabled by default.

For more information and steps, see the Get Help app.

1. Select the **Start** button, and then select the **Get Help** app.
2. Enter the task you want to perform.

 **NOTE:** You must be connected to the Internet to access the Get Help app.

Using the HP Cloud Recovery Download Tool to create recovery media (select products only)

You can use the HP Cloud Recovery Download Tool to create HP Recovery media on a bootable USB flash drive.

To download the tool:

- ▲ Go to the Microsoft Store and search for HP Cloud Recovery.

For details, go to <http://www.hp.com/support>, search for HP Cloud Recovery, and then select "HP PCs – Using the Cloud Recovery Tool (Windows 10, 7)."



NOTE: If you cannot create recovery media yourself, contact support to obtain recovery discs. Go to <http://www.hp.com/support>, select your country or region, and then follow the on-screen instructions.

Restoring and recovery

Restoring, resetting, and refreshing using Windows tools

Windows offers several options for restoring, resetting, and refreshing the computer. For details, see [Using Windows tools on page 72](#).

Recovering using HP Recovery media

HP Recovery media is used to recover the original operating system and software programs that were installed at the factory. On select products, it can be created on a bootable USB flash drive using the HP Cloud Recovery Download Tool. For details, see [Using the HP Cloud Recovery Download Tool to create recovery media \(select products only\) on page 72](#).



NOTE: If you cannot create recovery media yourself, contact support to obtain recovery discs. Go to <http://www.hp.com/support>, select your country or region, and then follow the on-screen instructions.

To recover your system:

- ▲ Insert the HP Recovery media, and then restart the computer.

Changing the computer boot order

If your computer does not restart using the HP Recovery media, you can change the computer boot order. This is the order of devices listed in BIOS where the computer looks for startup information. You can change the selection to an optical drive or a USB flash drive, depending on the location of your HP Recovery media.

To change the boot order:



IMPORTANT: For a tablet with a detachable keyboard, connect the tablet to the keyboard base before beginning these steps.

1. Insert the HP Recovery media.
2. Access the system **Startup** menu.

For computers or tablets with keyboards attached:

- ▲ Turn on or restart the computer or tablet, quickly press **esc**, and then press **f9** for boot options.

For tablets without keyboards:

- ▲ Turn on or restart the tablet, quickly hold down the volume up button, and then select **f9**.

– or –

Turn on or restart the tablet, quickly hold down the volume down button, and then select **f9**.

3. Select the optical drive or USB flash drive from which you want to boot, and then follow the on-screen instructions.

Using HP Sure Recover (select products only)

Select computer models are configured with HP Sure Recover, a PC OS recovery solution built into the hardware and firmware. HP Sure Recover can fully restore the HP OS image without installed recovery software.

Using HP Sure Recover, an administrator or user can restore the system and install:

- Latest version of the operating system
- Platform-specific device drivers
- Software applications, in the case of a custom image

To access the latest documentation for HP Sure Recover, go to <http://www.hp.com/support>. Select **Find your product**, and then follow the on-screen instructions.

9 Specifications

Computer specifications

Table 9-1 Computer specifications

	Metric	U.S.
Dimensions		
Depth	237.70 mm	9.36 in
Width	324.20 mm	12.76 in
Height	17.95 mm	0.71 in
Weight		
M.2 SSD models	1.6 kg	3.53 lbs
Hard drive models	1.7 kg	3.75 lbs
Input power		
Operating voltage	19.0 V dc @ 4.74 A – 90 W or 18.5 V dc @ 3.5 A – 65 W	
Operating current	4.74 A or 3.5 A	
Temperature		
Operating (not writing to optical disc)	0°C to 35°C	32°F to 95°F
Operating (writing to optical disc)	5°C to 35°C	41°F to 95°F
Nonoperating	–20°C to 60°C	–4°F to 140°F
Relative humidity		
Operating	10% to 90%	
Nonoperating	5% to 95%	
Maximum altitude (unpressurized)		
Operating (14.7 to 10.1 psia)	–15 m to 3,048 m	–50 ft to 10,000 ft
Nonoperating (14.7 to 4.4 psia)	–15 m to 12,192 m	–50 ft to 40,000 ft
Shock		
Operating	125 g, 2 ms, half-sine	
Nonoperating	200 g, 2 ms, half-sine	

NOTE: Applicable product safety standards specify thermal limits for plastic surfaces. The computer operates well within this range of temperatures.

35.6 cm (14.0 in) display specifications

Table 9-2 Display specifications

	Metric	U.S.
Active diagonal size	35.6 cm	14.0 in
Resolution	1366 × 768 (HD) 1920 × 1080 (FHD)	
Surface treatment	Antiglare	
Brightness	220 nits (typical)	
Viewing angle	SVA (HD) UWVA (FHD)	
Backlight	LED	
Display panel interface	eDP	

Hard drive specifications

Table 9-3 Hard drive specifications

	1 TB*	500 GB*
Dimensions		
Height	7.0 mm	7.0 mm
Width	70 mm	70 mm
Weight	115 g	101 g or 95 g
Interface type	SATA	SATA
Transfer rate	100 MB/s	100 MB/s
Security	ATA security	ATA security
Seek times (typical read, including setting)		
Single track	1.4 ms	3 ms
Average	10 ms	13 ms
Maximum	12 ms	24 ms
Logical blocks	1,938,921,461	1,048,576,000
Disc rotational speed	5400 rpm	7200 rpm or 5400 rpm
Operating temperature	0°C to 70°C (32°F to 158°F)	
*1 GB = 1 billion bytes when referring to hard drive storage capacity. Actual accessible capacity is less. Actual drive specifications may differ slightly.		
NOTE: Certain restrictions and exclusions apply. Contact technical support for details.		

Solid-state drive specifications

Table 9-4 Solid-state drive specifications


	128 GB*	256 GB*	512 GB*
Height	1.0 mm	1.0 mm	1.0 mm
Length	50.8 mm	50.8 mm	50.8 mm
Width	28.9 mm	28.9 mm	28.9 mm
Weight	< 10 g	< 10 g	< 10 g
Transfer rate			
Sequential read	up to 2150 MB/s	up to 2150 MB/s	up to 2150 MB/s
Random read	Up to 300,000 IOPs	Up to 300,000 IOPs	Up to 300,000 IOPs
Sequential write	up to 1260 MB/s	up to 1550 MB/s	up to 1550 MB/s
Random write	Up to 100,000 IOPs	Up to 100,000 IOPs	Up to 100,000 IOPs
Interface type	SATA-3	PCIe	PCIe
Ready time, maximum (to not busy)	1.0 ms	< 1.0 ms	< 1.0 ms
Access times, logical	0.1 ms	0.1 ms	0.1 ms
Total logical sectors	234,441,648	468,883,296	1,000,215,216
Operating temperature	0°C to 70°C (32°F to 158°F)		
*1 GB = 1 billion bytes when referring to hard drive storage capacity. Actual accessible capacity is less. Actual drive specifications may differ slightly.			
NOTE: Certain restrictions and exclusions apply. Contact technical support for details.			

10 Statement of memory volatility

The purpose of this chapter is to provide general information regarding nonvolatile memory in HP Business computers. This chapter also provides general instructions for restoring nonvolatile memory that can contain personal data after the system has been powered off and the hard drive has been removed.

HP Business computer products that use Intel®-based or AMD®-based system boards contain volatile DDR memory. The amount of nonvolatile memory present in the system depends upon the system configuration. Intel-based and AMD-based system boards contain nonvolatile memory subcomponents as originally shipped from HP, assuming that no subsequent modifications have been made to the system and assuming that no applications, features, or functionality have been added to or installed on the system.

Following system shutdown and removal of all power sources from an HP Business computer system, personal data can remain on volatile system memory (DIMMs) for a finite period of time and will also remain in nonvolatile memory. Use the steps to remove personal data from the computer, including the nonvolatile memory found in Intel-based and AMD-based system boards.

 **NOTE:** If your tablet has a keyboard base, connect to the keyboard base before beginning steps in this chapter.

Current BIOS steps

1. Follow steps (a) through (l) to restore the nonvolatile memory that can contain personal data. Restoring or reprogramming nonvolatile memory that does not store personal data is neither necessary nor recommended.
 - a. Turn on or restart the computer, and then press **esc** while the “Press the ESC key for Startup Menu” message is displayed at the bottom of the screen.

 **NOTE:** If the system has a BIOS administrator password, enter the password at the prompt.

- b. Select **Main**, select **Apply Factory Defaults and Exit**, and then select **Yes** to load defaults.

The computer reboots.

- c. During the reboot, press **esc** while the “Press the ESC key for Startup Menu” message is displayed at the bottom of the screen.

 **NOTE:** If the system has a BIOS administrator password, enter the password at the prompt.





- d. Select the **Security** menu, select **Restore Security Settings to Factory Defaults**, and then select **Yes** to restore security level defaults.

The computer reboots.

- e. During the reboot, press **esc** while the “Press the ESC key for Startup Menu” message is displayed at the bottom of the screen.

 **NOTE:** If the system has a BIOS administrator password, enter the password at the prompt.

- f. If an asset or ownership tag is set, select the **Security** menu and scroll down to the **Utilities** menu. Select **System IDs**, and then select **Asset Tracking Number**. Clear the tag, and then make the selection to return to the prior menu.

- g. If a DriveLock password is set, select the **Security** menu, and scroll down to **Hard Drive Utilities** under the **Utilities** menu. Select **Hard Drive Utilities**, select **DriveLock**, then clear the check box for **DriveLock password on restart**. Select **OK** to proceed.
 - h. Select the **Main** menu, and then select **Reset BIOS Security to factory default**. Click **Yes** at the warning message.
The computer reboots.
 - i. During the reboot, press **esc** while the “Press the ESC key for Startup Menu” message is displayed at the bottom of the screen.
-
-  **NOTE:** If the system has a BIOS administrator password, enter the password at the prompt.
-
- j. Select the **Main** menu, select **Apply Factory Defaults and Exit**, select **Yes** to save changes and exit, and then select **Shutdown**.
 - k. Reboot the system. If the system has a Trusted Platform Module (TPM), fingerprint reader, or both, one or two prompts will appear—one to clear the TPM and the other to Reset Fingerprint Sensor. Press or tap **f1** to accept or **f2** to reject.
 - l. Remove all power and system batteries for at least 24 hours.
2. Complete one of the following:
- Remove and retain the storage drive.
 - or –
 - Clear the drive contents by using a third-party utility designed to erase data from an SSD.
 - or –
 - Clear the contents of the drive by using the following BIOS Setup Secure Erase command option steps:
-
-  **IMPORTANT:** If you clear data using Secure Erase, it cannot be recovered.
-
- a. Turn on or restart the computer, and then press **esc** while the “Press the ESC key for Startup Menu” message is displayed at the bottom of the screen.
 - b. Select the **Security** menu and scroll down to the **Utilities** menu.
 - c. Select **Hard Drive Utilities**.
 - d. Under **Utilities**, select **Secure Erase**, select the hard drive storing the data you want to clear, and then follow the on-screen instructions to continue.
- or –
- Clear the contents of the drive using the following Disk Sanitizer commands steps:
-
-  **IMPORTANT:** If you clear data using Disk Sanitizer, it cannot be recovered.
-
-  **NOTE:** The amount of time it takes for Disk Sanitizer to run can take several hours. Plug the computer into an AC outlet before starting.
-
- a. Turn on or restart the computer, and then press **esc** while the “Press the ESC key for Startup Menu” message is displayed at the bottom of the screen.
 - b. Select the **Security** menu and scroll down to the **Utilities** menu.

- c. Select **Hard Drive Utilities**.
- d. Under **Utilities**, select **Disk Sanitizer**, select the hard drive storing the data you want to clear, and then follow the on-screen instructions to continue.

Nonvolatile memory usage

Table 10-1 Troubleshooting steps for nonvolatile memory usage

Nonvolatile memory type	Amount (Size)	Does this memory store customer data?	Does this memory retain data when power is removed?	What is the purpose of this memory?	How is data entered into this memory?	How is this memory write-protected?
HP Sure Start flash (select models only)	8 MB	No	Yes	Provides protected backup of critical System BIOS code, EC firmware, and critical computer configuration data for select platforms that support HP Sure Start. For more information, see Using HP Sure Start (select models only) on page 83 .	Data cannot be written to this device via the host processor. The content is managed solely by the HP Sure Start Embedded Controller.	This memory is protected by the HP Sure Start Embedded Controller.
Real Time Clock (RTC) battery backed-up CMOS configuration memory	256 bytes	No	Yes	Stores system date and time and noncritical data.	RTC battery backed-up CMOS is programmed using Computer Setup (BIOS), or by changing the Microsoft® Windows date & time.	This memory is not write-protected.
Controller (NIC) EEPROM	64 KB (not customer accessible)	No	Yes	Stores NIC configuration and NIC firmware.	NIC EEPROM is programmed using a utility from the NIC vendor that can be run from DOS.	A utility must be used to write data to this memory and is available from the NIC vendor. Writing data to this ROM in an inappropriate manner will render the NIC non-functional.
DIMM Serial Presence Detect (SPD) configuration data	256 bytes per memory module, 128 bytes programmable (not customer accessible)	No	Yes	Stores memory module information.	DIMM SPD is programmed by the memory vendor.	Data cannot be written to this memory when the module is installed in a computer. The specific write-protection method varies by memory vendor.

Table 10-1 Troubleshooting steps for nonvolatile memory usage (continued)

Nonvolatile memory type	Amount (Size)	Does this memory store customer data?	Does this memory retain data when power is removed?	What is the purpose of this memory?	How is data entered into this memory?	How is this memory write-protected?
System BIOS	9 MB	Yes	Yes	Stores system BIOS code and computer configuration data.	System BIOS code is programmed at the factory. Code is updated when the system BIOS is updated. Configuration data and settings are entered using the Computer Setup (BIOS) or a custom utility.	NOTE: Writing data to this ROM in an inappropriate manner can render the computer non-functional. A utility must be used for writing data to this memory and is available on the HP website; go to http://www.hp.com/support . Select Find your product , and then follow the on-screen instructions.
Intel Management Engine Firmware (present only in select Elite or Z models. For more information, go to http://www.hp.com/support . Select Find your product , and then follow the on-screen instructions.)	1.5 MB or 7 MB	Yes	Yes	Stores Management Engine Code, Settings, Provisioning Data and iAMT third-party data store.	Management Engine Code is programmed at the factory. Code is updated via Intel secure firmware update utility. Unique Provisioning Data can be entered at the factory or by an administrator using the Management Engine (MEBx) setup utility. The third-party data store contents can be populated by a remote management console or local applications that have been registered by an administrator to have access to the space.	The Intel chipset is configured to enforce hardware protection to block all direct read/write access to this area. An Intel utility must be used for updating the firmware. Only firmware updates digitally signed by Intel can be applied using this utility.
Bluetooth flash (select products only)	2 Mb	No	Yes	Stores Bluetooth configuration and firmware.	Bluetooth flash is programmed at the factory. Tools for writing data to this memory are not publicly available but can be obtained from the silicon vendor.	A utility must be used for writing data to this memory and is made available through newer versions of the driver whenever the flash requires an upgrade.
802.11 WLAN EEPROM	4 kilobit to 8 kilobit	No	Yes	Stores configuration and calibration data.	802.11 WLAN EEPROM is programmed at the factory. Tools for writing data to this memory are not made public.	A utility must be used for writing data to this memory and is typically not made available to the public unless a firmware upgrade is necessary to address a unique issue.
Webcam (select products only)	64 kilobit	No	Yes	Stores webcam configuration and firmware.	Webcam memory is programmed using a utility from the device manufacturer that can be run from Windows.	A utility must be used for writing data to this memory and is typically not made available to the public unless a firmware

Table 10-1 Troubleshooting steps for nonvolatile memory usage (continued)

Nonvolatile memory type	Amount (Size)	Does this memory store customer data?	Does this memory retain data when power is removed?	What is the purpose of this memory?	How is data entered into this memory?	How is this memory write-protected?
Fingerprint reader (select products only)	512 KB flash	Yes	Yes	Stores fingerprint templates.	Fingerprint reader memory is programmed by user enrollment in HP ProtectTools Security Manager.	upgrade is necessary to address a unique issue. Only a digitally signed application can make the call to write to the flash.

Questions and answers

1. How can the BIOS settings be restored (returned to factory settings)?



IMPORTANT: Restore defaults does not securely erase any data on your hard drive. See question and answer 6 for steps to securely erase data.

Restore defaults does not reset the Custom Secure Boot keys. See question and answer 7 for information about resetting the keys.

- Turn on or restart the computer, and then press **esc** while the “Press the ESC key for Startup Menu” message is displayed at the bottom of the screen.
- Select **Main**, and then select **Apply Factory Defaults and Exit**.
- Follow the on-screen instructions.
- Select **Main**, select **Save Changes and Exit**, and then follow the on-screen instructions.

2. What is a UEFI BIOS, and how is it different from a legacy BIOS?

The Unified Extensible Firmware Interface (UEFI) BIOS is an industry-standard software interface between the platform firmware and an operating system (OS). It is a replacement for the older BIOS architecture, but supports much of the legacy BIOS functionality.

Like the legacy BIOS, the UEFI BIOS provides an interface to display the system information and configuration settings and to change the configuration of your computer before an OS is loaded. BIOS provides a secure run-time environment that supports a Graphic User Interface (GUI). In this environment, you can use either a pointing device (touch screen, touchpad, pointing stick, or USB mouse) or the keyboard to navigate and make menu and configuration selections. The UEFI BIOS also contains basic system diagnostics.

The UEFI BIOS provides functionality beyond that of the legacy BIOS. In addition, the UEFI BIOS works to initialize the computer’s hardware before loading and executing the OS; the run-time environment allows the loading and execution of software programs from storage devices to provide more functionality, such as advanced hardware diagnostics (with the ability to display more detailed system information) and advanced firmware management and recovery software.

HP has provided options in Computer Setup (BIOS) to allow you to run in legacy BIOS, if required by the operating system. Examples of this requirement would be if you upgrade or downgrade the OS.

3. Where does the UEFI BIOS reside?

The UEFI BIOS resides on a flash memory chip. A utility must be used to write to the chip.

4. What kind of configuration data is stored on the DIMM Serial Presence Detect (SPD) memory module? How would this data be written?

The DIMM SPD memory contains information about the memory module, such as size, serial number, data width, speed/timing, voltage, and thermal information. This information is written by the module manufacturer and stored on an EEPROM. This EEPROM cannot be written to when the memory module is installed in a computer. Third-party tools do exist that can write to the EEPROM when the memory module is not installed in a computer. Various third-party tools are available to read SPD memory.

5. What is meant by “Restore the nonvolatile memory found in Intel-based system boards”?

This message relates to clearing the Real Time Clock (RTC) CMOS memory that contains computer configuration data.

6. How can the BIOS security be reset to factory defaults and data erased?



IMPORTANT: Resetting results in the loss of information.

These steps do not reset Custom Secure Boot Keys. See question and answer 7 for information about resetting the keys.

- a. Turn on or restart the computer, and then press **esc** while the “Press the ESC key for Startup Menu” message is displayed at the bottom of the screen.
- b. Select **Main**, and then select **Reset Security to Factory Defaults**.
- c. Follow the on-screen instructions.
- d. Select **Main**, select **Save Changes and Exit**, and then follow the on-screen instructions.

7. How can the Custom Secure Boot Keys be reset?

Secure Boot is a feature to ensure that only authenticated code can start on a platform. If you enabled Secure Boot and created Custom Secure Boot Keys, simply disabling Secure Boot does not clear the keys. You must also select to clear the Custom Secure Boot Keys. Use the same Secure Boot access procedure you used to create the Custom Secure Boot Keys, but make the selection to clear or delete all Secure Boot Keys.

- a. Turn on or restart the computer, and then press **esc** while the “Press the ESC key for Startup Menu” message is displayed at the bottom of the screen.
- b. Select the **Security** menu, select **Secure Boot Configuration**, and then follow the on-screen instructions.
- c. At the **Secure Boot Configuration** window, select **Secure Boot**, select **Clear Secure Boot Keys**, and then follow the on-screen instructions to continue.

Using HP Sure Start (select models only)

Select computer models are configured with HP Sure Start, a technology that continuously monitors your computer's BIOS for attacks or corruption. If the BIOS becomes corrupted or is attacked, HP Sure Start restores the BIOS to its previously safe state, without user intervention. Those select computer models ship with HP Sure Start configured and enabled. HP Sure Start is configured and already enabled so that most users can use the HP Sure Start default configuration. The default configuration can be customized by advanced users.

To access the latest documentation on HP Sure Start, go to <http://www.hp.com/support>. Select **Find your product**, and then follow the on-screen instructions.

11 Power cord set requirements

The wide-range input feature of the computer permits it to operate from any line voltage from 100 to 120 V ac, or from 220 to 240 V ac.

The 3-conductor power cord set included with the computer meets the requirements for use in the country or region where the equipment is purchased.

Power cord sets for use in other countries or regions must meet the requirements of the country and region where the computer is used.

Requirements for all countries

The following requirements are applicable to all countries and regions:

- The length of the power cord set must be at least **1.0 m** (3.3 ft) and no more than **2.0 m** (6.5 ft).
- All power cord sets must be approved by an acceptable accredited agency responsible for evaluation in the country or region where the power cord set will be used.
- The power cord sets must have a minimum current capacity of 10 A and a nominal voltage rating of 125 or 250 V ac, as required by the power system of each country or region.
- The appliance coupler must meet the mechanical configuration of an EN 60 320/IEC 320 Standard Sheet C13 connector for mating with the appliance inlet on the back of the computer.

Requirements for specific countries and regions

Table 11-1 Power cord requirements for specific countries and regions

Country/region	Accredited agency	Applicable note number
Argentina	IRAM	1
Australia	SAA	1
Austria	OVE	1
Belgium	CEBEC	1
Brazil	ABNT	1
Canada	CSA	2
Chile	IMQ	1
Denmark	DEMKO	1
Finland	FIMKO	1
France	UTE	1
Germany	VDE	1
India	BIS	1
Israel	SII	1
Italy	IMQ	1
Japan	JIS	3
The Netherlands	KEMA	1
New Zealand	SANZ	1
Norway	NEMKO	1
The People's Republic of China	CCC	4
Saudi Arabia	SASO	7
Singapore	PSB	1
South Africa	SABS	1
South Korea	KTL	5
Sweden	SEMKO	1
Switzerland	SEV	1
Taiwan	BSMI	6
Thailand	TISI	1
The United Kingdom	ASTA	1
The United States	UL	2

1. The flexible cord must be Type H05VV-F, 3-conductor, 0.75 mm² conductor size. Power cord set fittings (appliance coupler and wall plug) must bear the certification mark of the agency responsible for evaluation in the country or region where it will be used.

Table 11-1 Power cord requirements for specific countries and regions (continued)

Country/region	Accredited agency	Applicable note number
		2. The flexible cord must be Type SVT/SJT or equivalent, No. 18 AWG, 3-conductor. The wall plug must be a two-pole grounding type with a NEMA 5-15P (15 A, 125 V ac) or NEMA 6-15P (15 A, 250 V ac) configuration. CSA or C-UL mark. UL file number must be on each element.
		3. The appliance coupler, flexible cord, and wall plug must bear a “T” mark and registration number in accordance with the Japanese Dentori Law. The flexible cord must be Type VCTF, 3-conductor, 0.75 mm ² or 1.25 mm ² conductor size. The wall plug must be a two-pole grounding type with a Japanese Industrial Standard C8303 (7 A, 125 V ac) configuration.
		4. The flexible cord must be Type RVV, 3-conductor, 0.75 mm ² conductor size. Power cord set fittings (appliance coupler and wall plug) must bear the CCC certification mark.
		5. The flexible cord must be Type H05VV-F 3-conductor, 0.75 mm ² conductor size. KTL logo and individual approval number must be on each element. Approval number and logo must be printed on a flag label.
		6. The flexible cord must be Type HVCTF 3-conductor, 1.25 mm ² conductor size. Power cord set fittings (appliance coupler, cable, and wall plug) must bear the BSMI certification mark.
		7. For 127 V ac, the flexible cord must be Type SVT or SJT 3-conductor, 18 AWG, with plug NEMA 5-15P (15 A, 125 V ac), with UL and CSA or C-UL marks. For 240 V ac, the flexible cord must be Type H05VV-F 3-conductor, 0.75 mm ² or 1.00 mm ² conductor size, with plug BS 1363/A with BSI or ASTA marks.

12 Recycling

When a non-rechargeable or rechargeable battery has reached the end of its useful life, do not dispose of the battery in general household waste. Follow the local laws and regulations in your area for battery disposal.

HP encourages customers to recycle used electronic hardware, HP original print cartridges, and rechargeable batteries. For more information about recycling programs, see the HP Web site at <http://www.hp.com/recycle>.

Index

- A**
 - AC adapter, spare part numbers 22
 - antennas
 - disconnecting 33
 - audio, product description 2
 - audio-out (headphone)/audio-in (microphone) combo jack, identifying 5
 - B**
 - backup, creating 72
 - backups 72
 - battery
 - light 6
 - removing 30
 - spare part number 30
 - BIOS
 - determining version 64
 - downloading an update 64
 - updating 64
 - Bluetooth card
 - spare part number 33
 - Bluetooth label 14
 - boot order
 - changing using the f9 prompt 65
 - boot order, changing 73
 - bottom cover
 - removing 29
 - spare part number 17, 29
 - Bracket Kit
 - contents 20
 - spare part number 20
 - buttons
 - left touchpad 9
 - power 11
 - right touchpad 9
 - C**
 - Cable Kit
 - contents 19
 - spare part number 19
 - camera 8
 - identifying 8
 - product description 2
 - camera light, identifying 8
 - camera module
 - spare part number 18
 - camera privacy cover
 - identifying 8
 - caps lock light, identifying 10
 - card reader board
 - removal 47
 - spare part number 16, 47
 - cautions
 - electrostatic discharge 24
 - components
 - bottom 13
 - display 8
 - keyboard area 9
 - left side 7
 - right side 5
 - Computer Setup
 - navigating and selecting 63
 - restoring factory settings 63
 - starting 63
 - computer setup 63
 - computer specifications 75
 - connector, power 6
 - D**
 - display assembly
 - removal 55
 - spare part numbers 18, 55
 - display bezel
 - spare part numbers 18
 - display components 8
 - display panel
 - product description 1
 - display rear cover
 - spare part number 18
 - display specifications 76
 - docking
 - product description 3
 - drive light, identifying 7
 - E**
 - electrostatic discharge (ESD) 24
 - preventing damage 25
 - embedded numeric keypad, identifying 12
 - esc key, identifying 12
- F**
 - fan
 - removing 39
 - spare part number 16
 - fingerprint reader, identifying 11
 - fingerprint sensor assembly
 - removal 45
 - spare part number 16, 45
 - fn key, identifying 12
 - G**
 - graphics, product description 1
 - grounding methods 26
 - guidelines
 - packaging 27
 - transporting 27
 - workstation 24
 - H**
 - hard drive
 - product description 1
 - removing 36
 - spare part numbers 17, 21, 36
 - specifications 76
 - Hard Drive Hardware Kit
 - spare part number 21, 36
 - HDMI port, identifying 5
 - heat sink
 - removal 40
 - spare part number 16
 - Hinge Kit
 - spare part number 18
 - HP PC Hardware Diagnostics UEFI
 - downloading 69
 - starting 69
 - using 68
 - HP PC Hardware Diagnostics Windows
 - downloading 67
 - installing 68
 - using 67

HP Recovery media
 recovery 73
HP Sure Recover 74
HP Sure Start 83

I
internal microphones, identifying 8

J
jacks
 audio-out (headphone)/audio-in
 (microphone) combo 5
 network 5
 RJ-45 (network) 5

K
keyboard
 product description 3
 spare part numbers 16
keyboard/top cover
 removal 62
 spare part numbers 62
keypad
 embedded numeric 12
keys
 esc 12
 fn 12
 num lock 12
 Windows 12

L
labels
 Bluetooth 14
 regulatory 14
 serial number 14
 service 14
 wireless certification 14
 WLAN 14
left side components 7
lights
 AC adapter and battery 6
 battery 6
 camera 8
 caps lock 10
 drive 7
 microphone mute 10
 num lock 10
 power 10
 RJ-45 (network) 5
 wireless 10

M
mass storage devices, spare part
 numbers 21
media card reader, product
 description 2
memory
 nonvolatile 78
 volatile 78
memory card reader, identifying 7
memory module
 product description 1
 removal 31
 spare part numbers 16, 31
microphone (audio-in) jack
 product description 2
microphone board
 spare part number 18
microphone mute light, identifying
 10
mini card
 product description 1
model name 1

N
network jack, identifying 5
nonvolatile memory 78
num lock light 10

O
operating system, product
 description 4
optical drive
 product description 2

P
packaging guidelines 27
pointing device, product
 description 3
ports
 HDMI 5
 product description 2
 USB powered 7
 USB SuperSpeed 5
 USB Type-C DisplayPort 5
 USB Type-C power connector 5
 USB Type-C SuperSpeed 5
power button, identifying 11
power cable
 spare part number 16
power connector
 identifying 5, 6

power connector cable
 removal 51
 spare part number 51
power cord
 requirements for all countries
 84
 requirements for specific
 countries and regions 85
 set requirements 84
 spare part numbers 22
power lights 10
power requirements, product
 description 3
processor
 product description 1
product description
 audio 2
 camera 2
 display panel 1
 docking 3
 graphics 1
 hard drives 1
 keyboard 3
 media card reader 2
 memory module 1
 microphone 2
 mini card 1
 operating system 4
 optical drive 2
 pointing devices 3
 ports 2
 power requirements 3
 processors 1
 product name 1
 RJ-45 (network) 2
 security 3
 sensors 3
 serviceability 4
 wireless 2
product name 1
product name and number,
 computer 14

R
recovery 72
 discs 73
 HP Recovery partition 73
 media 73
 USB flash drive 73

- recovery media
 - creating using HP Cloud Recovery Download Tool 72
 - creating using Windows tools 72
- regulatory information
 - regulatory label 14
 - wireless certification labels 14
- Remote HP PC Hardware Diagnostics UEFI settings
 - customizing 70
 - using 70
- removal/replacement
 - procedures, Authorized Service Provider 28
- removing personal data from volatile system memory 78
- restoring 72
- right side components 5
- RJ-45 (network) jack, identifying 5
- RJ-45 (network) lights, identifying 5
- RJ-45 (network), product description 2
- RTC battery
 - removal 49
 - spare part number 16, 49

S

- Screw Kit, spare part number 22
- security cable slot, identifying 7
- security, product description 3
- sensors
 - product description 3
- serial number, computer 14
- service labels, locating 14
- serviceability, product description 4
- setup utility
 - navigating and selecting 63
 - restoring factory settings 63
- slots
 - security cable 7
- solid-state drive
 - removal 35
 - spare part numbers 17, 21, 35
 - specifications 77
- speaker assembly
 - removal 38
 - spare part number 16, 38
- speakers, identifying 11
- special keys, using 12

- specifications
 - computer 75
 - display 76
 - hard drive 76
 - solid-state drive 77
- static electricity 25
- Sure Start
 - using 66
- system board
 - removal 52
 - spare part numbers 16, 52
- system memory, removing personal data from volatile 78
- system restore point, creating 72

T

- thermal material, replacement 41, 42
- touchpad
 - spare part number 16
- touchpad assembly
 - removal 44
 - spare part number 44
- touchpad buttons
 - identifying 9
- touchpad zone
 - identifying 9
- TPM settings 65
- transporting guidelines 27
- traveling with the computer 14

U

- USB board
 - removal 43
 - spare part number 16, 43
- USB powered port, identifying 7
- USB SuperSpeed port, identifying 5
- USB Type-C power connector port, identifying 5
- USB Type-C SuperSpeed port, identifying 5

V

- vents, identifying 7, 11, 13

W

- Windows
 - backup 72
 - recovery media 72
 - system restore point 72
- Windows key, identifying 12

- Windows tools, using 72
- wireless antennas
 - disconnecting 33
- wireless certification label 14
- wireless light, identifying 10
- wireless, product description 2
- WLAN antennas, identifying 8
- WLAN device 14
- WLAN label 14
- WLAN/Bluetooth combo card
 - removal 33
 - spare part number 16, 33
- workstation guidelines 24