



Maintenance and Service Guide

22x model

SUMMARY

This guide provides information about spare parts, removal and replacement of parts, diagnostic tests, problem troubleshooting, and more.

© Copyright 2019 HP Development Company, L.P.

AMD is a trademark of Advanced Micro Devices, Inc. Bluetooth is a trademark owned by its proprietor and used by HP Inc. under license. NVIDIA is a trademark and/or registered trademark of NVIDIA Corporation in the U.S. and other countries. USB Type-C and USB-C are registered trademarks of USB Implementers Forum. DisplayPort and the DisplayPort logo are trademarks owned by the Video Electronics Standards Association (VESA) in the United States and other countries.

The information contained herein is subject to change without notice. The only warranties for HP products and services are set forth in the express warranty statements accompanying such products and services. Nothing herein should be construed as constituting an additional warranty. HP shall not be liable for technical or editorial errors or omissions contained herein.

First Edition: March 2021

Document Part Number: L58640-22x-MSG-V1

Assembly part number: L58640-001

Product notice

Only trained service personnel familiar with this product should service it. Before performing any maintenance or service, be sure to read "Important Safety Information".

Table of Contents

1	Getting started	1
	Important safety information	1
	Important service information and precautions	1
	RoHS (2002/95/EC) requirements	2
	General descriptions	2
	Firmware updates	2
	Before returning the repaired product to the customer	2
2	Monitor features	3
	Features	3
	Front components	4
	Rear components	5
	Locating the serial number and product number	6
3	Illustrated parts catalog	8
	How to order parts	9
4	Removal and replacement procedures	9
	Preparation for disassembly	10
	RC	10
	Function test	18
	Support and troubleshooting	18
	Index	20

1 Getting started

Read this chapter to learn about safety information and where to find additional HP resources.

Important safety information

Carefully read the cautions and notes within this document to minimize the risk of personal injury to service personnel. The cautions and notes are not exhaustive. Proper service methods are important to the safe, reliable operation of equipment. Improper service methods can damage equipment.

The service procedures recommended and described in this service manual provide effective methods of performing service operations. Service engineers should have prior repair knowledge and experience as well as appropriate training for the product before performing service procedures.

- Be sure your working environment is dry and clean and meets all government safety requirements.
- Be sure that other persons are safe while you are servicing the product.
- Do not perform any action that can cause a hazard to the customer or make the product unsafe.
- Use proper safety devices to ensure your personal safety.
- Always use approved tools and test equipment for servicing.
- Never assume the product's power is disconnected from the main power supply. Check that it is disconnected before opening the product's cabinet.
- Modules containing electrical components are sensitive to electrostatic discharge (ESD). Follow ESD safety procedures while handling these parts.
- Some products contain more than one battery. Do not disassemble or expose a battery to high temperatures, such as throwing into fire, or the battery may explode.
- Refer to government requirements for battery recycling or disposal.

This information provides general service information for the monitor. Adherence to the procedures and precautions is essential for proper service.

IMPORTANT: Only trained service personnel who are familiar with this HP product should perform service or maintenance for it. Before performing any service or maintenance, personnel must read the important safety information.

IMPORTANT: You must disconnect the power cord from the power source before opening the monitor to prevent component damage.

Important service information and precautions

- Repair must be performed by professional service technicians in a repair center. End users should not perform these procedures.
- Please note during servicing that the primary side is the high voltage area.
- This monitor meets ROHS requirements. Be sure to use lead-free solder wire when soldering.
- If you must change a capacitor, be sure to match the polarity as printed on the PCB.
- If you must replace a capacitor, make sure the specification and part number match the BOM and location.

- If you must replace a capacitor, insert new parts carefully to avoid a short circuit caused by the near pin.
- Do not get the board wet. Water and moisture can cause a short circuit that causes malfunctions.
- To avoid damage, be sure to use lead-free solder.
- When soldering, work quickly to avoid overheating the circuit board.
- Keep the soldering iron tip clean and well tinned when replacing parts.
- After repair, perform a close inspection of the circuit board to confirm it is in good condition.
- After repair, perform a function test to confirm the power supply is working properly.

ERP Lot5 requirement

1. A professional repairer must have the technical competence to repair electronic displays and comply with the applicable regulations for repairers of electrical equipment in the Member States where the repairer operates. Reference to an official registration system as professional repairer, where such a system exists in the Member States, shall be accepted as proof of compliance.
2. A professional repairer must have insurance that covers liabilities resulting from repairs, regardless of whether required by the Member State.

RoHS (2002/95/EC) requirements

Applied to all countries that require RoHS.

The RoHS (Restriction of Hazardous Substance in Electrical and Electronic Equipment Directive) is a legal requirement by the EU (European Union) for the global electronics industry sold in the EU and other countries. Any electrical and electronics products launched in the market after June 2006 should meet this RoHS requirement. Products launched in the market before June 2006 are not required to be compliant with RoHS parts. If the original parts are not RoHS compliant, the replacement parts can be non-ROHS compliant. If the original parts are RoHS compliant, the replacement parts **MUST** be RoHS compliant.

If product service or maintenance requires replacing parts, confirm the RoHS requirement before replacement.

General descriptions

This manual contains general information. There are two levels of service:

Level 1: Cosmetic/appearance/alignment service

Level 2: Circuit board or standard parts replacement

Firmware updates

Firmware updates for the monitor are available at support.hp.com. If no firmware is posted, the monitor does not need a firmware update.

Before returning the repaired product to the customer

Perform an AC leakage current check on exposed metallic parts to be sure the product is safe to operate without the potential of electrical shock. Do not use a line isolation transformer during this check.

Measurements that are not within specified limits present a possible shock hazard. You must check and repair the product before returning it to the customer.

2 Monitor features

This chapter provides an overview of the monitor's features.

Features

Depending on the model, your monitor might include the following features:

- 54.6 cm (21.5 in) diagonal viewable area with 1920 × 1080 resolution, plus full-screen support for lower resolutions, includes custom scaling for maximum image size while preserving the original aspect ratio
The monitors include the following features:
- Anti-Glare panel with an LED backlight
- Wide viewing angle to allow viewing from a sitting or standing position, or moving from side to side
- Tilt capability
- Pivot capability to rotate the monitor head from landscape to portrait mode (Select Models)
- Swivel and height adjustment capabilities (Select Models)
- VGA video input (Select Models)
- Removable stand for flexible monitor head mounting solutions
- DisplayPort video input (Select Models)
- High-Definition Multimedia Interface (HDMI) video input
- Audio headphone/variable line-out jack (Select Models)
- Plug-and-play capability if supported by your operating system
- Security cable slot provision on rear of monitor for optional security cable
- On-Screen Display (OSD) adjustments in several languages for easy setup and screen optimization
- High-Bandwidth Digital Content Protection (HDCP) copy protection on all digital inputs
- Energy saver feature to meet requirements for reduced power consumption

NOTE: For safety and regulatory information, refer to the Product Notices provided in your documentation kit. To access the latest user guides or manuals for your product, go to <http://www.hp.com/support> and follow the instructions to find your product. Then select **Manuals**.

Front components

To identify the components on the front of the monitor, use this illustration and table.



Table 1-1: Front components and their descriptions

Control	Description
1 Menu button	Press to open the OSD menu, select a menu item from the OSD, or close the OSD menu.
2-4 Function buttons	When the OSD menu is open, press the buttons to navigate through the menu. The function light icons indicate the default button functions. For a description of these functions, see Using the function buttons on page 16 . You can reassign the function buttons to quickly select the most commonly used operations. See Reassigning the function buttons on page 16 .
5 Power	Turns the monitor on or off.
6 Power light	White: The monitor is on. Amber: The monitor is in standby mode.

Rear components

To identify the components on the rear of the monitor, use this illustration and table.

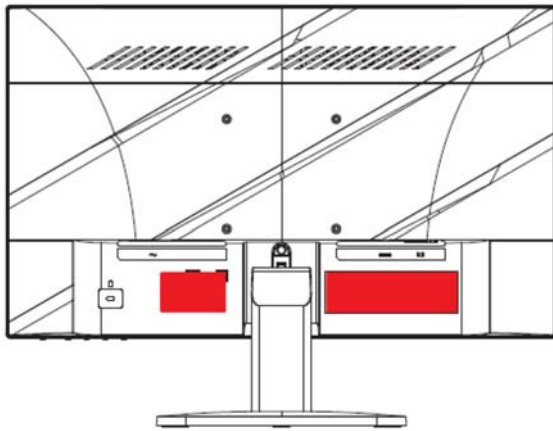


Table 1-2: Rear components and their descriptions

Component	Description
1 Power connector	Connects the power cable to the monitor
2 HDMI connector	Connects the HDMI cable to the monitor
3 VGA connector	Connects the VGA cable to the monitor

Locating the serial number and product number

The SPEC label (1) and Barcode label (2) are located on the rear of the monitor. The serial number and product number are located on a Safety label. You may need these numbers when contacting HP about the monitor model.

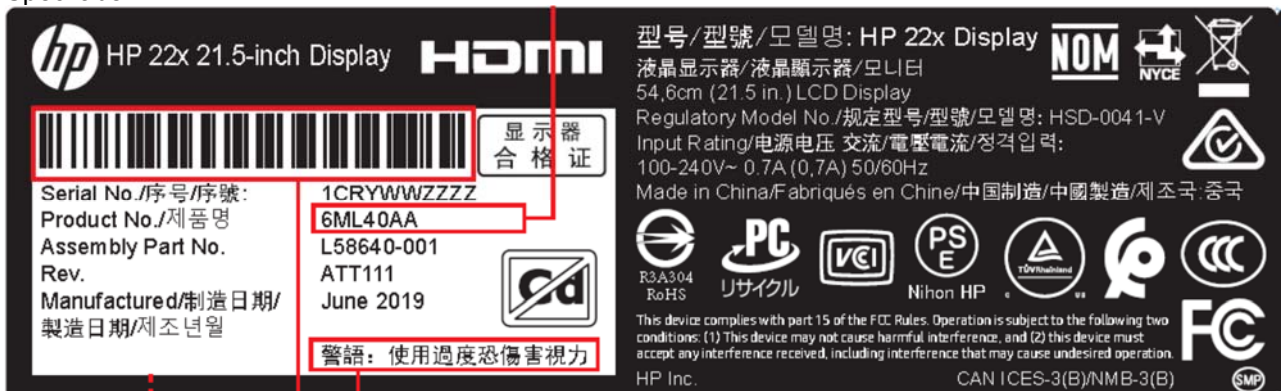


For worldwide models (except India):

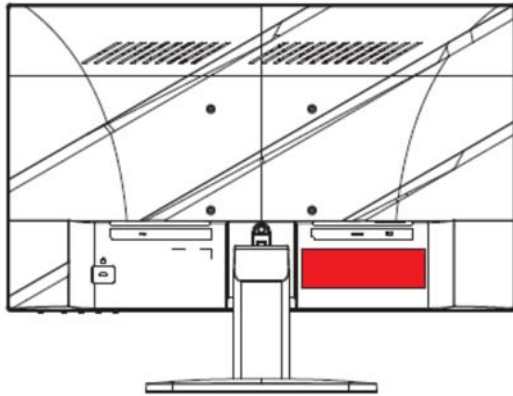
Barcode label



Spec label



For India:

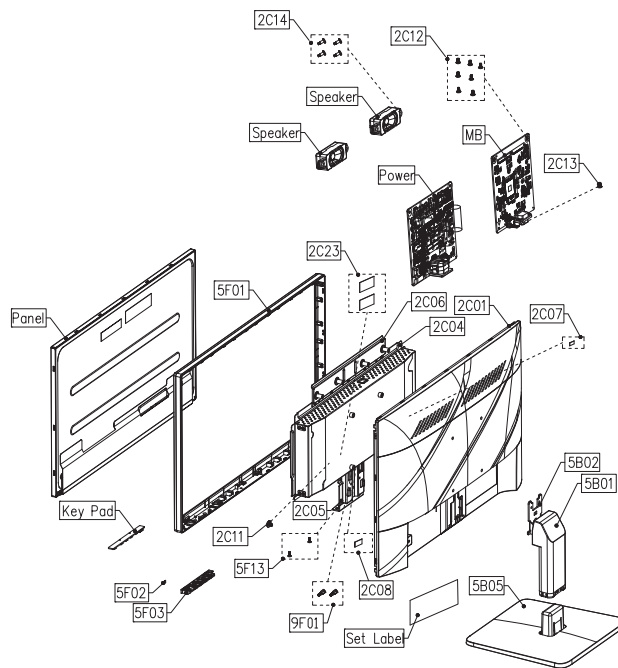


label

 Video Monitor/液晶显示器/液晶顯示器/모니터		Regulatory Model No./規定型号/型號/모델명: HSD-0041-V Input Rating/电源电压 交流/電壓電流/정격입력: 100-240V~ 0.7A (0.7A) 50/60Hz	
		 SAFETY MARK 190411-11 IS 13252 (Part 1)/ IEC 60950-1	
 显示器合格证		 Low Blue Light Center  CCC  RoHS  PC  PSE  VCCI  リサイクル  Nikon HP  RoHS	
Serial No./序号/序號 Product No./제품명 Assembly Part No. Rev. Manufactured/制造日期/ 製造日期/제조년월 Made in China/中国制造/中國製造/제조국:중국	1CRYWWZZZZ 6ML40AA/6ML41AA L58640-001 ATT111 June 2019 警語: 使用過度恐傷害視力	R-R-hpi-HSD-0041-V XU100017-1 9053A K-Tronics (Suzhou) Technology Co., Ltd A/S 연락처 : 1588-3003 24219 R3A304 RoHS R-41083445 www.bis.gov.in	

3 Illustrated parts catalog

To identify the monitor major components, use this illustration and table.



How to order parts

The HP authorized repair center can purchase the power board from HP.

Power board

Description	HP spare part number	Manufacturer part number
PSU 22x, 21204-00854-S01	M74461-001	21204-00854

Capacitors and connectors are available for purchase from the following EU distributors:

- Digi-Key: digikey.co.uk

Capacitors by distributor

Component description	Location	Component distributor	Distributor part number
Capacitor_820uF_25V_10*16	C812 、 C813 、 C814 、 C818 、 C921	Digi Key	1189-3647-ND
Capacitor_820uF_25V_10*16		Digi Key	1189-3647-ND

Connectors by manufacturer

Component description	Location identifier	Component distributor	Distributor part number
VGA	P101	Digi Key	609-5181-ND
HDMI	P102	Digi Key	1175-1701-ND

NOTE: The connector may need to be modified to meet functionality, regulatory and safety requirements if it is not an exact match.

You can purchase cables from the HP part store at <https://partsurfer.hp.com/Search.aspx>.

NOTE: HP continually improves and changes product parts. For complete and current information about supported parts for your computer, go to <http://partsurfer.com>, select your country or region, and then follow the on-screen instructions.

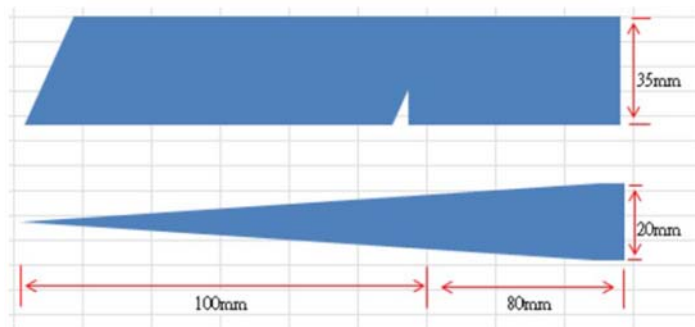
4 Removal and replacement procedures

Adherence to these procedures and precautions is essential for proper service.

Preparation for disassembly

Use this information to properly prepare to disassemble and reassemble the monitor.

- 1) Read the “Important safety information” and “Important service information and precautions” sections in the “Getting started” chapter of this guide.
- 2) Clean the room for disassembly.
- 3) Identify the disassembly area.
- 4) Check the position that the monitors are to be placed along with the number of monitors. Prepare the area for material flow according to the disassembly layout.
- 5) Be sure to have the following equipment and materials:
 - Press fixture
 - Working table
 - Screwdriver
 - Knife
 - Gloves
 - Cleaning cloth
 - ESD protection
 - Scraper bar in the following dimensions:

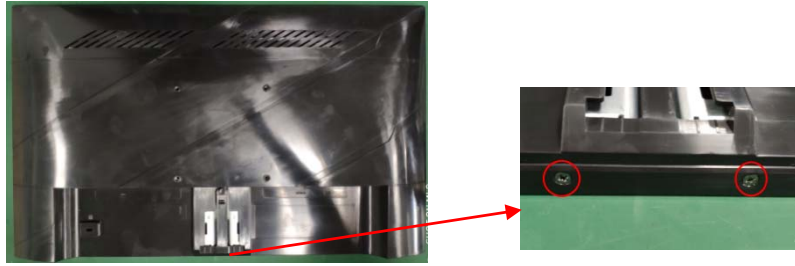


RC

Before removing the RC, follow these steps:

- ▲ Prepare the monitor for disassembly.

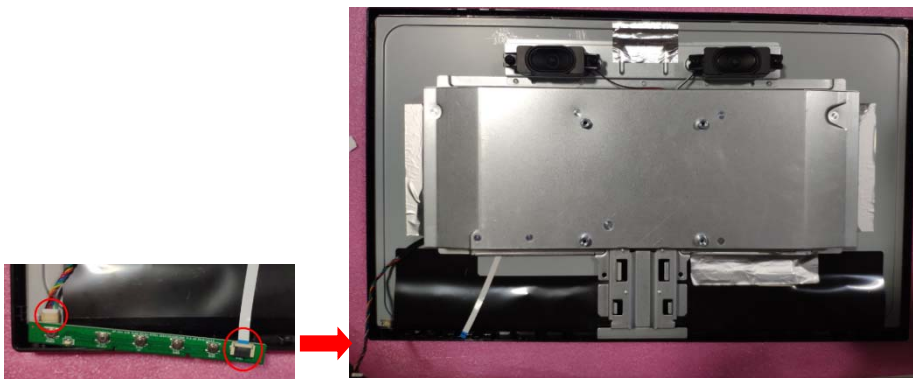
- 1) After unpacking, lay the machine flat on the working table and remove the two screws on the lower side.



- 2) Remove the back cover.



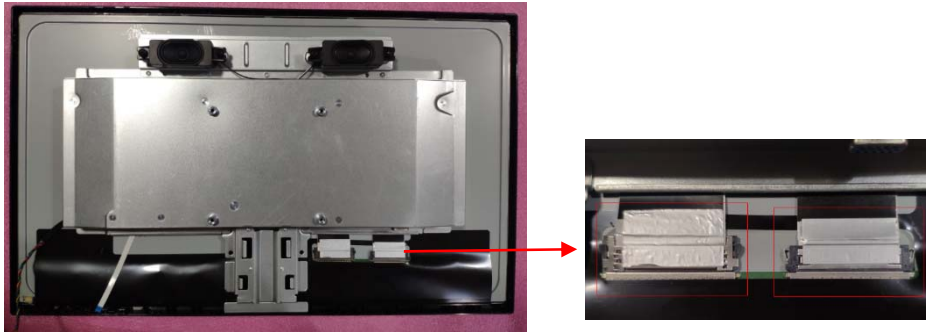
- 3) Remove the function key and backlight line before removing the function keypad.



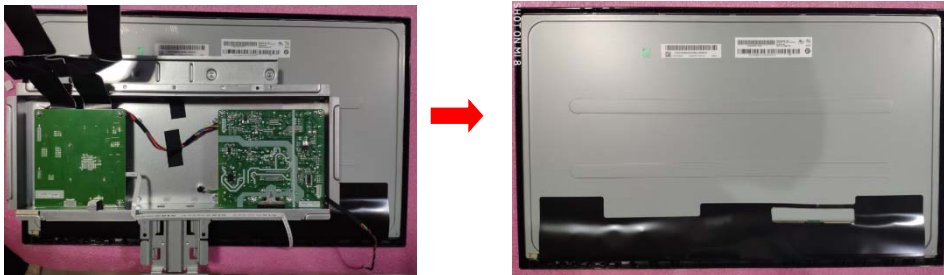
- 4) Remove the aluminum foil around the enclosure.



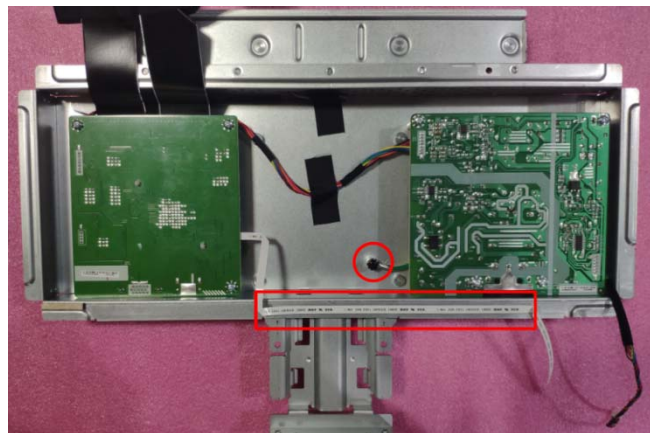
- 5) Unplug the mainboard and mirror connector.



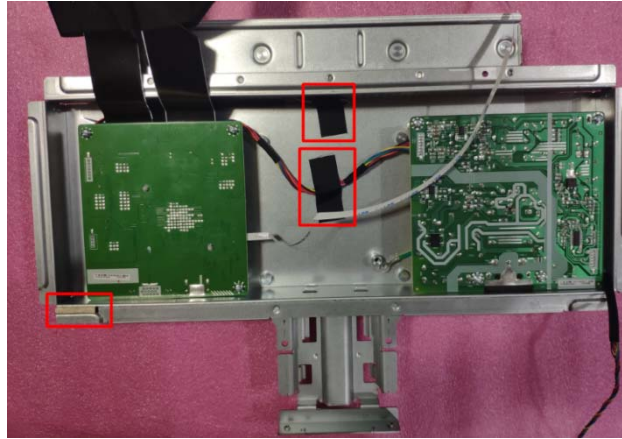
- 6) Remove the enclosure.



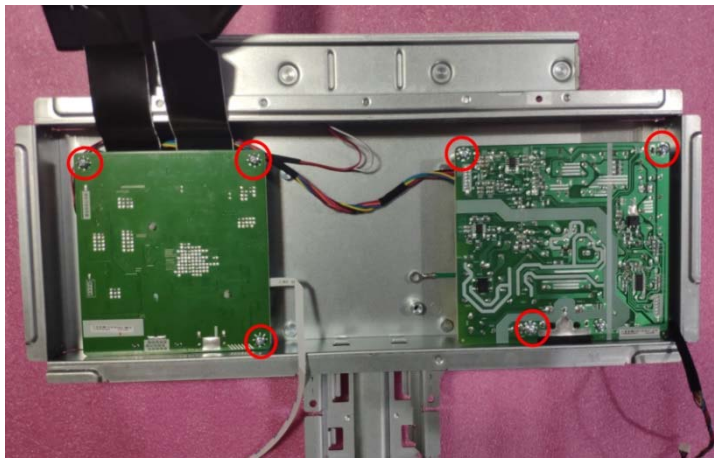
- 7) Remove the grounding screw of the power board and remove the back glue of the fixed function key wire.



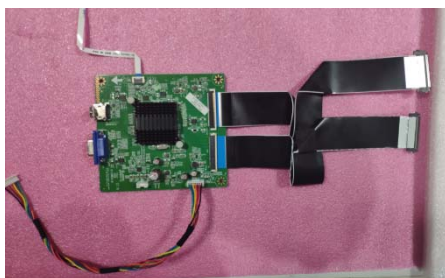
- 8) As shown in the figure, remove the side conductive foam, and then remove the two pieces of tape holding the wire.



- 9) Remove the screws fixing the mainboard and power board respectively.



- 10) Remove the main board and power board respectively.



Power board

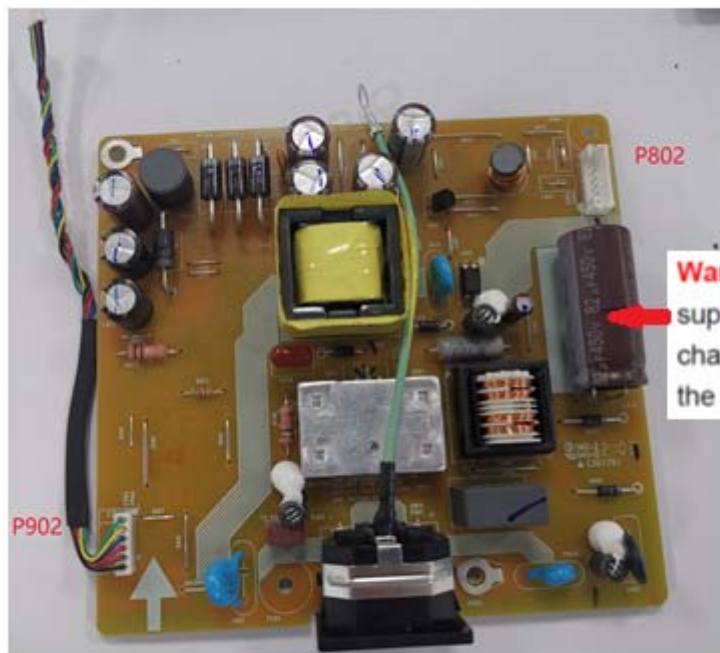
The power board part number is 21204-00854.

Before removing the power board, follow these steps:

- ▲ Prepare the monitor for disassembly. See Preparation for disassembly on page 10.

Remove the power board:

- 1) The HP 22X power board connector position is as follows:



P902 BOE P/N: 61003-02764

P802 BOE P/N: 60903-00033

- 2) Locate the part number location on the board.



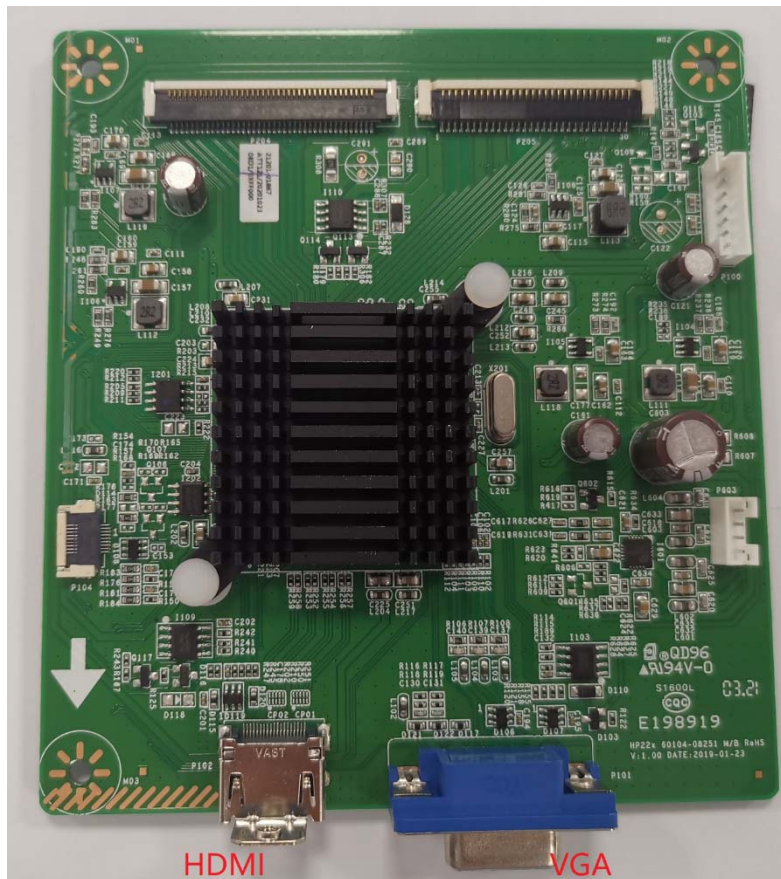
DisplayPort connector location

This procedure includes HDMI, VGA connectors.

The connectors are on the main board (board part number 21201-01867).

The connectors identifiers are as follows:

Connector	Location
HDMI	P102
VGA	P101



Before repairing connectors, follow these steps:

- ▲ Prepare the monitor for disassembly. See [Preparation for disassembly](#) on page 10.

VGA connector P101

Repair the audio connector:

- 3) Use a hot air gun to melt the solder on the pins. Pin solder with soldering iron and absorber. You can gently push down with the soldering iron once everything is molten to move the P101 out of the through holes.



- 4) Lift the P101 connector from the PCB.
- 5) Place the new component on the PCB. Be sure that it matches the PCB footprint.
- 6) Solder the new component.

HDMI connector P102

Repair the HDMI connector:

- 7) Use a soldering iron and a desoldering pump to remove as much solder as possible from the pin.



8) Use a hot air gun to melt the solder on the pins.



9) Lift the P102 connector from the PCB.

10) Place the new component on the PCB. Be sure that it matches the PCB footprint.

11) Solder the new component.

Function test

After repair, be sure to confirm that all functions are working.

Table 4-1: Function test

Test item	Operating description	Tool used
HDMI test	Confirm whether image displays and sound plays correctly on the monitor.	Computer or DVD player
VGA test	Confirm whether image displays plays correctly on the monitor.	Computer or DVD player

Support and troubleshooting

The following table lists possible problems, the possible cause or each problem, and the recommended solutions.

Table 4-2: Solving common problems

Problem	Possible cause	Solution
Screen is blank or video is flashing.	Power cord is disconnected.	Connect the power cord.
	Monitor is off.	Power the power button. NOTE: If pressing the Power button has no effect, press and hold the power button for 10 seconds to disable the Power button lockout feature.
	Video cable is improperly connected.	Connect the video cable properly.
	System is in Sleep mode.	Press any key on the keyboard or move the mouse to exit Sleep mode.
	Video card is incompatible.	Open the OSD menu and select the Input Control menu. Set Auto-Switch Input to Off and manually select the input
Image appears blurred, indistinct, or too dark.	Brightness is too low.	Open the OSD menu and select Brightness to adjust the brightness scale as needed.
Check Video Cable is	Monitor video cable is disconnected.	Connect the appropriate video signal cable

displayed on screen.		between the computer and monitor. Be sure that the computer power is off while you connect the video cable.
Input Signal Out of Range is displayed on screen.	Video resolution and/or refresh rate are set higher than what the monitor supports.	Change the settings to a supported setting.
The monitor is off, but it did not seem to enter into Sleep mode.	The monitor's power saving control is disabled.	Open the OSD menu and select Power Control > Auto-Sleep Mode and set auto-sleep to On .
On-Screen Menus are Locked is displayed.	The monitor's OSD lock function is enabled.	Press and hold the Menu button on the front bezel to 10 seconds to disable the OSD lockout function.
Power Button is Locked is Displayed	The monitor's power button is locked.	Press and hold the power button for 10 seconds to disable the power button lock function.

Index

- components
 - front, 4
 - rear, 5
- DisplayPort connector location, 15
- features, 3
- firmware updates, 2
- front components, 4
- function button, 4
- function test, 18
- HDMI connector location, 17
- how to order parts, 9
- illustrated parts catalog, 8
- menu button, 19
- parts, 9
- power board, 9
- precautions, 1
- preparation for disassembly, 10
- rear components, 5
- removal
 - power board, 14
 - RC, 10
- removal and replacement procedures, 10
- RoHS (2002/95/EC) requirements, 2
- safety information, 1
- serial number, 8
- service information, 1
- spare parts, 9
- support and troubleshooting, 18
- troubleshooting, 18
- VGA connector location, 16