

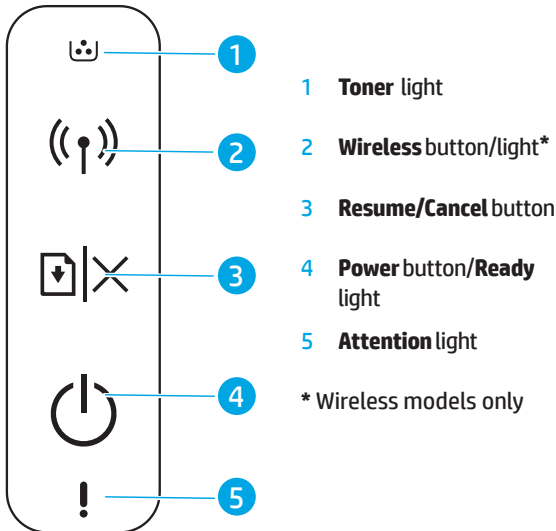
HP Laser 1000 series



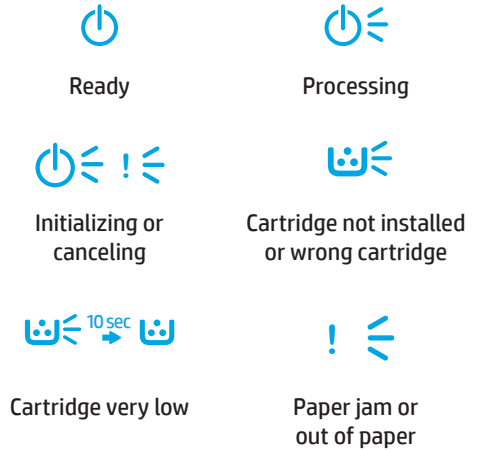
Reference Guide

Read this guide to get to know the printer control panel, learn how to interpret control panel light patterns, solve wireless connection problems, and find more information.

Printer control panel



Control panel light patterns



Printer operating environment guidelines



Keep printer out of direct sunlight



Recommended temperature range:
17.5° – 25° C
(63.5° – 77° F)



Recommended humidity range:
30% – 70%



Keep printer in well-ventilated area



Do not exceed voltage limits

Learn more



Product support

www.hp.com/support/laser1000

Printed in China

© Copyright 2022 HP Development Company, L.P.



71428-90002