

---

HP Notebook PC

**Reference Guide**

---

## Notice

This manual and any examples contained herein are provided “as is” and are subject to change without notice. Hewlett-Packard Company makes no warranty of any kind with regard to this manual, including, but not limited to, the implied warranties of merchantability and fitness for a particular purpose. Hewlett-Packard Co. shall not be liable for any errors or for incidental or consequential damages in connection with the furnishing, performance, or use of this manual or the examples herein.

Consumer transactions in Australia and the United Kingdom: The above disclaimers and limitations shall not apply to Consumer transactions in Australia and the United Kingdom and shall not affect the statutory rights of Consumers.

© Copyright Hewlett-Packard Company 2000. All rights reserved. Reproduction, adaptation, or translation of this manual is prohibited without prior written permission of Hewlett-Packard Company, except as allowed under the copyright laws.

The programs that control this product are copyrighted and all rights are reserved. Reproduction, adaptation, or translation of those programs without prior written permission of Hewlett-Packard Co. is also prohibited.

Portions of the programs that control this product may also be copyrighted by Microsoft Corporation, Phoenix Technologies, Ltd., ESS, S3 Incorporated, Accton, and Adobe Systems Incorporated. See the individual programs for additional copyright notices.

Microsoft, MS, MS-DOS, and Windows are registered trademarks of Microsoft Corporation. Pentium and the Intel Inside logo are U.S. registered trademarks and MMX is a U.S. trademark of Intel Corporation. Adobe and Acrobat are trademarks of Adobe Systems Incorporated.

**Hewlett-Packard Company**  
**HP Notebook Customer Care**  
**1000 NE Circle Blvd., MS 425E**  
**Corvallis, OR 97330, U.S.A.**

---

## HP Software Product License Agreement

Your notebook PC contains factory-installed software programs. Please read the Software License Agreement before proceeding.

**Carefully read this License Agreement before proceeding to operate this equipment. Rights in the software are offered only on the condition that the customer agrees to all terms and conditions of the License Agreement. Proceeding to operate the equipment indicates your acceptance of these terms and conditions. If you do not agree with the terms of the License Agreement, you must now either remove the software from your hard disk drive and destroy the Recovery CD, or return the complete computer and software for a full refund.**

**Proceeding with configuration signifies your acceptance of the License Terms.**

**Unless otherwise stated below, this HP Software Product License Agreement shall govern the use of all software that is provided to you, the customer, as part of the HP computer product. It shall supersede any non-HP software license terms that may be found online, or in any documentation or other materials contained in the computer product packaging.**

**Note:** Operating System Software by Microsoft is licensed to you under the Microsoft End User License Agreement (EULA).

The following License Terms govern the use of the software:

**Use.** Customer may use the software on any one computer. Customer may not network the software or otherwise use it on more than one computer. Customer may not reverse assemble or decompile the software unless authorized by law.

**Copies and Adaptations.** Customer may make copies or adaptations of the software (a) for archival purposes or (b) when copying or adaptation is an essential step in the use of the software with a computer so long as the copies and adaptations are used in no other manner.

**Ownership.** Customer agrees that he/she does not have any title or ownership of the software, other than ownership of the physical media. Customer acknowledges and agrees that the software is copyrighted and protected under the copyright laws. Customer acknowledges and agrees that the software may have been developed by a third party software supplier named in the copyright notices included with the software, who shall be authorized to hold the Customer responsible for any copyright infringement or violation of this Agreement.

**Product Recovery CD-ROM.** If your computer was shipped with a product recovery CD-ROM: (i) The product recovery CD-ROM and/or support utility software may be used only for restoring the hard disk of the HP computer with which the product recovery CD-ROM was originally provided. (ii) The use of any operating system software by Microsoft contained in any such product recovery CD-ROM shall be governed by the Microsoft End User License Agreement (EULA).

**Transfer of Rights in Software.** Customer may transfer rights in the software to a third party only as part of the transfer of all rights and only if Customer obtains the prior agreement of the third party to be bound by the terms of this License Agreement. Upon such a transfer, Customer agrees that his/her rights in the software are terminated and that he/she will either destroy his/her copies and adaptations or deliver them to the third party.

**Sublicensing and Distribution.** Customer may not lease, sublicense the software, or distribute copies or adaptations of the software to the public in physical media or by telecommunication without the prior written consent of Hewlett-Packard.

**Termination.** Hewlett-Packard may terminate this software license for failure to comply with any of these terms provided Hewlett-Packard has requested Customer to cure the failure and Customer has failed to do so within thirty (30) days of such notice.

**Updates And Upgrades.** Customer agrees that the software does not include updates and upgrades which may be available from Hewlett-Packard under a separate support agreement.

**Export Clause.** Customer agrees not to export or re-export the software or any copy or adaptation in violation of the U.S. Export Administration regulations or other applicable regulation.

**U.S. Government Restricted Rights.** Use, duplication, or disclosure by the U.S. Government is subject to restrictions as set forth in subparagraph (c)(1)(ii) of the Rights in Technical Data and Computer Software clause in DFARS 252.227-7013. Hewlett-Packard Company, 3000 Hanover Street, Palo Alto, CA 94304, U.S.A. Rights for non-DOD U.S. Government Departments and Agencies are as set forth in FAR 52.227-19(c)(1,2).

---

## Edition History

Edition 1 ..... October 2000  
Edition 2 ..... January 2001



This manual is printed on recycled paper.

---

## Contents

<b>Introducing Your Computer</b> .....	<b>9</b>
Taking Inventory .....	10
Software bundled on your computer .....	10
To buy accessories .....	10
To find more information .....	11
Identifying Parts of the Notebook .....	12
Top and right side view .....	12
Front view .....	13
Rear and left side view .....	14
Bottom view .....	15
Status lights .....	16
Status panel .....	17
Power switch and standby button .....	18
Setting Up the Computer .....	19
To install the battery .....	19
To connect AC power .....	20
To connect a phone line .....	21
To turn on the computer .....	21
To set up Windows .....	22
To register your computer .....	23
To connect to an Internet Service Provider .....	24
To reset your computer .....	25
<b>Using Your Computer</b> .....	<b>27</b>
Operating the Computer .....	28
To use the Fn hot keys .....	28
To use the Windows and Applications keys .....	29
To use the embedded keypad .....	30
To use the ALT GR key .....	30
To adjust the display brightness .....	30
To adjust the volume .....	31
To use the touch pad .....	32
To use the One-Touch buttons .....	33
To insert or remove a CD or DVD .....	35
To use your DVD drive or CD-RW/DVD drive .....	36
To use your CD-RW drive or CD-RW/DVD drive .....	36
Securing the Computer .....	37
To set up password protection .....	37
To attach a security cable .....	39
To use virus-protection software .....	40
Working in Comfort with a Notebook PC .....	41

Caring for Your Computer .....	43
To protect your hard disk drive .....	43
To take care of your computer.....	43
To safeguard your data .....	44
To extend the life of the display .....	44
To get the most from your batteries .....	45
To clean your computer.....	45
<b>Traveling with Your Computer .....</b>	<b>47</b>
Managing Power Consumption.....	48
To use automated power management .....	48
To use manual power management .....	50
Using Battery Power .....	53
To check the battery status .....	53
To respond to a low-battery warning .....	54
To optimize battery operating time .....	54
To control the processor speed with SpeedStep.....	55
<b>Making Connections .....</b>	<b>57</b>
Using the Modem .....	58
Important Safety Information .....	58
To connect the modem .....	59
To connect to the Internet.....	60
To disconnect from the Internet .....	61
To dial in to a network.....	61
To change your modem settings.....	61
To send and receive e-mail.....	62
To send and receive faxes (Windows 98 and Windows ME).....	63
To send and receive faxes (Windows 2000) .....	64
Connecting to a LAN .....	66
Connecting PC Cards .....	67
Connecting External Components.....	69
To identify the ports .....	69
To connect a printer (or another parallel device) .....	71
To connect an external keyboard or PS/2 mouse .....	72
To connect a USB device .....	72
To connect audio devices .....	73
To use infrared devices.....	73
To use an external monitor .....	75
To use a TV set as monitor .....	76
To use the port replicator.....	78

<b>Configuring and Expanding Your Computer .....</b>	<b>81</b>
Using the BIOS Setup Utility .....	82
Installing RAM modules .....	83
Removing RAM modules.....	85
Expanding the hibernate partition .....	86
Updating Windows Drivers.....	87
To download the latest Windows drivers .....	87
To use digitally signed drivers in Windows 98 and Windows ME .....	87
<b>Service and Support.....</b>	<b>89</b>
Hewlett-Packard Limited Warranty Statement .....	90
Getting Support for Your HP Notebook PC .....	92
To use the <i>Reference Guide</i> .....	92
To get help from the HP notebook website .....	92
To call HP for Service and Support.....	93
Obtaining Repair Service .....	96
To receive warranty repair service .....	96
To prepare your computer for shipment.....	96
<b>Solving Problems with Your Computer.....</b>	<b>99</b>
Troubleshooting Techniques .....	100
Audio problems .....	100
CD-ROM drive problems .....	100
Display problems.....	101
DVD problems.....	102
Hard disk drive problems .....	104
Heat problems.....	105
Keyboard, touch pad, and mouse problems .....	105
Memory problems.....	106
Modem problems.....	106
One-Touch button problems.....	108
PC card problems.....	109
Performance problems .....	110
Port replicator problems .....	110
Power and battery problems .....	111
Printing problems .....	112
Serial, parallel, and USB problems .....	113
Startup problems.....	114
Standby and resume problems.....	115
Testing Hardware Operation .....	116
Recovering and Reinstalling Software.....	118
To recover the factory installation of your hard disk.....	118
To replace a damaged Recovery CD .....	119

To update the HP notebook BIOS .....	119
To recover an application .....	120
Removing and Reinstalling the Hard Disk Drive .....	121
If you decide to remove the hard disk drive .....	121
To install the hard disk drive again .....	123
<b>Specifications and Regulatory Information.....</b>	<b>125</b>
Hardware and Software Specifications .....	126
BIOS Setup utility options.....	126
Hardware specifications .....	130
Software specifications.....	134
Software system resources.....	135
Modem Reference Information .....	137
AT Commands (Ambit).....	137
S-Registers (Ambit).....	142
Selected Result Codes (Ambit) .....	143
Safety Information.....	144
Power Cords.....	144
Battery Safety .....	145
Laser Safety .....	146
LED Safety .....	146
Regulatory Information .....	147
U.S.A. ....	147
Canada .....	148
European Union.....	148
Japan .....	149
Russia.....	149
International.....	149
<b>Index .....</b>	<b>151</b>



---

## Introducing Your Computer

---

## Taking Inventory

Your HP notebook PC is shipped with these items:

- battery
- AC adapter and power cord
- *Quick Start* sheet
- HP notebook PC *Startup Guide*
- Recovery CD (or CDs), used to restore Windows and all software included with your computer
- Microsoft Windows manual (Windows 98, Windows Millennium Edition [ME] or Windows 2000)
- telephone cord (if your computer has a built-in modem)

---

## Software bundled on your computer

Your HP notebook PC comes with preinstalled software, and various models are configured with different combinations of software. To see the list of software included with your computer, check HP Notes in the HP Library: click Start, Programs, HP Library, HP Notes—or double-click the HP Notes icon on the desktop.

For Windows ME, click Start, Help, Your HP Notebook, HP Notes.

---

## To buy accessories

You can buy accessories for your computer online. For the latest accessories and options, visit us at [www.hp.com/notebooks](http://www.hp.com/notebooks). As new accessories become available, you'll find them listed here.

Some of the HP notebook accessories and replacement modules offered are:

- port replicator (on selected models)
- auto/airline adapter
- AC adapter

- ultraslim AC adapter
- primary lithium ion battery
- PS/2 Y adapter for mouse and keyboard
- additional RAM—HP SDRAM:
  - 64 MB
  - 128 MB
  - 256 MB

---

## To find more information

Here are some sources of information about your HP notebook PC.

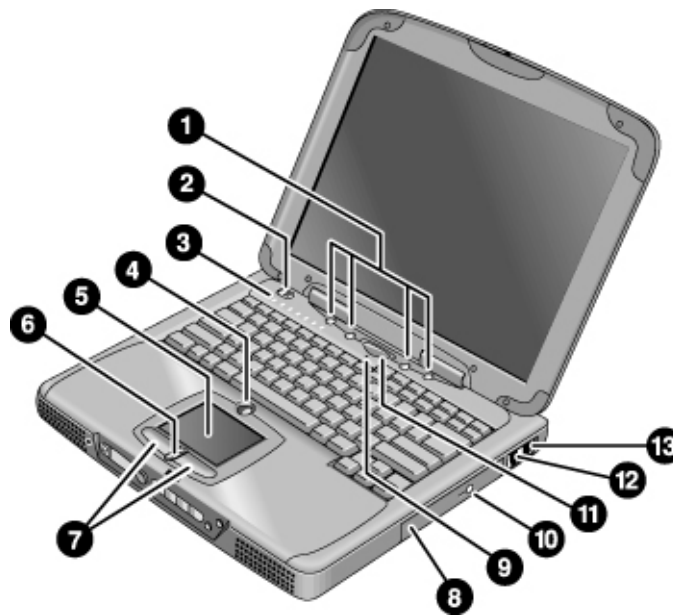
<b>Source</b>	<b>Description</b>
<i>Quick Start</i> sheet	This pictorial introduction shows you how to get the computer up and running quickly.
<i>Startup Guide</i>	The <i>Startup Guide</i> is the printed HP manual that came with your computer. It shows how to set up and operate your computer and where to go for help if you run into trouble.
HP Notes	This document contains late-breaking information available after the <i>Reference Guide</i> was completed (Start, Programs, HP Library, HP Notes—or double-click the HP Notes icon on the desktop).
Introductory Microsoft manual for Windows	For Windows ME: Click Start, Help, Your HP Notebook, HP Notes. This manual contains information about using the standard features of Microsoft Windows (Windows 98, Windows ME or Windows 2000, depending on which operating system your computer is shipped with).
Windows Help	Click Start, Help.
HP notebook PC website	<a href="http://www.hp.com/notebooks">www.hp.com/notebooks</a>

---

## Identifying Parts of the Notebook

---

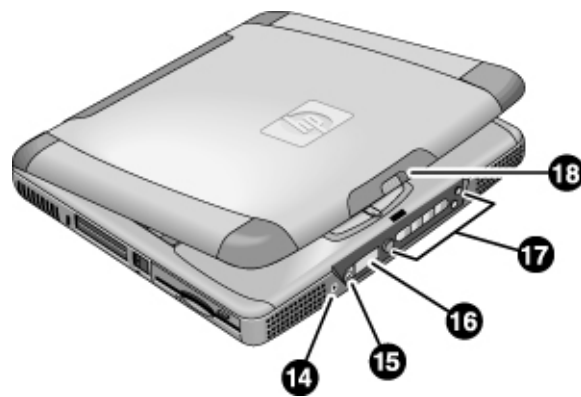
### Top and right side view



- |   |                                                |    |                                          |
|---|------------------------------------------------|----|------------------------------------------|
| 1 | One-Touch buttons                              | 8  | CD-ROM, CD-RW, DVD, or CD-RW/DVD drive   |
| 2 | Power switch                                   | 9  | Microphone                               |
| 3 | Status lights (see “Status lights” on page 16) | 10 | CD-ROM or DVD eject button               |
| 4 | Pad Lock touch pad on/off button               | 11 | Blue standby button                      |
| 5 | Touch pad (pointing device)                    | 12 | Modem port ( <b>on selected models</b> ) |
| 6 | Scroll up/down toggle                          | 13 | LAN port ( <b>on selected models</b> )   |
| 7 | Click buttons                                  |    |                                          |

---

Front view

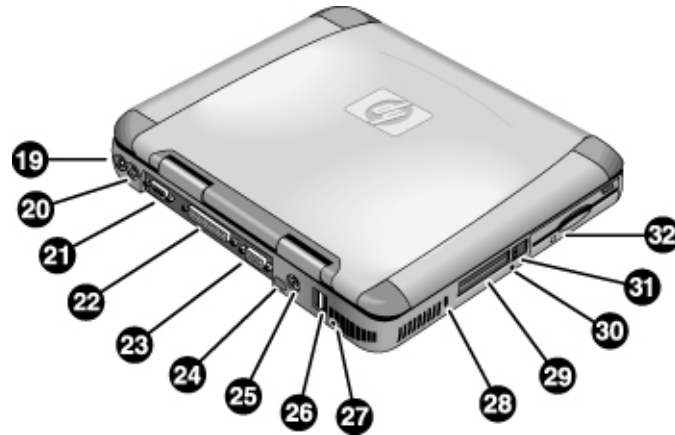


- 14 Headphone audio jack
- 15 Status panel mode select button **(on selected models)**
- 16 Status panel **(on selected models)**
- 17 Multimedia buttons **(on selected models)**
- 18 Latch (to open computer)

Introducing Your Computer  
**Identifying Parts of the Notebook**

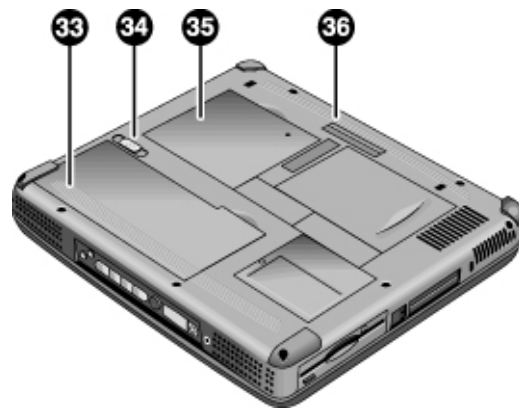
---

Rear and left side view



- |    |                                           |    |                                            |
|----|-------------------------------------------|----|--------------------------------------------|
| 19 | AC adapter (power) jack                   | 26 | USB ports                                  |
| 20 | PS/2 port (external mouse or keyboard)    | 27 | Microphone jack                            |
| 21 | Serial port                               | 28 | Kensington lock slot (security connector)  |
| 22 | Parallel port                             | 29 | PC card slots                              |
| 23 | VGA port (external monitor)               | 30 | System-off button (for resetting computer) |
| 24 | Infrared port <b>(on selected models)</b> | 31 | PC card eject buttons                      |
| 25 | TV output port                            | 32 | Floppy disk drive                          |

Bottom view

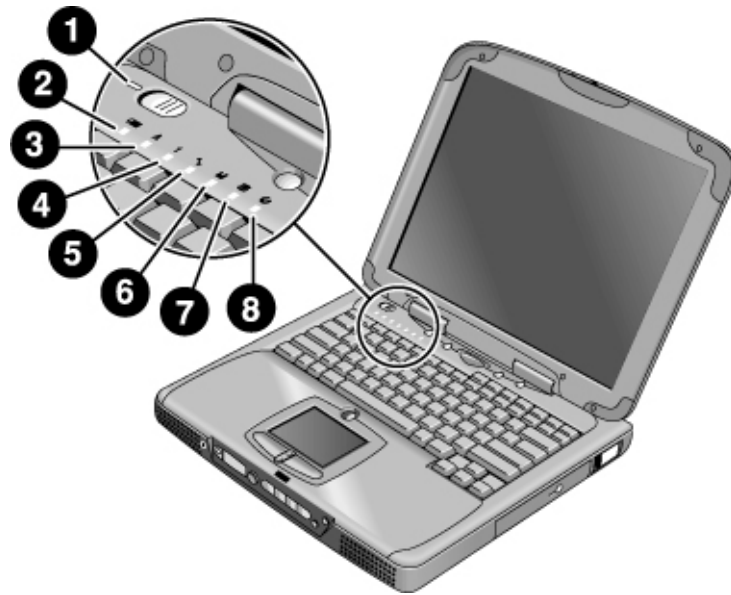


- 33 Battery
- 34 Battery latch
- 35 RAM expansion cover
- 36 Port replicator (docking) connector **(on selected models)**

Introducing Your Computer  
**Identifying Parts of the Notebook**

---

Status lights



- 1 Power
- 2 Battery
- 3 Caps lock (capital letters)
- 4 Num lock (numeric keypad)
- 5 Scroll lock
- 6 Floppy disk drive access
- 7 Hard disk drive access
- 8 CD-ROM, CD-RW, DVD, or CD-RW/DVD drive access



## Status panel

**(Provided for selected models.)** The status panel on the front of the computer provides information about CD playback status, system power management, system date and time, and battery status. Messages are displayed on the 8-character LCD display, and you can switch from one kind of message to another by pressing the mode button to the left of the display.

When the computer is on, these modes are displayed sequentially as you press the mode button:

- power management status: on, off, standby (STBY), or hibernate (ZZZZ)
- date
- time
- battery charging status: percentage charged

When the CD player is on and the computer is off, the CD playback mode is displayed. It shows the CD track number, the time elapsed, and an arrow when the CD is playing or two parallel lines when it is paused—and when you press the mode button, you can also display sequentially the four modes listed above.

When the computer is off and the CD player is off, you can view the status panel by sliding the multimedia power switch to the left to turn it on. Remember to turn it off when you are through checking the status panel.

If you change the Windows time or date (from Control Panel or the taskbar), the change displays on the status panel only after you shut down and restart the computer. Click Start, Shut Down; and after the power is off, slide the power switch to restart.

If you want to change the format displayed for date or time in the status panel, change it in the BIOS; see “Using the BIOS Setup Utility” on page 82.

## Power switch and standby button

There are two controls above the keyboard that affect power in the HP notebook PC. The switch at the top left turns computer power on and off, and the large blue button in the top center puts the system in standby mode—or, if it is already in standby mode, returns it to normal operation.

### **To use the power switch**

To turn on the computer when it is off, slide the power switch to the left and release it. If the computer is plugged into AC power or contains a charged battery, the system turns on and Windows starts automatically.

When the computer is on, you can also use the power switch to turn the system off. In most situations, however, it is preferable to shut down Windows instead. Click Start, Shut Down, then select Shut down and click OK. Windows will shut down, and the computer will automatically turn off.

### **To use the standby button**

You can use the standby button to save the current state of your computer and then to return quickly to the same state when you are ready to resume work.

To put the computer in standby mode when it is on, press the large blue standby button, which is found in the middle of the four smaller One-Touch buttons above the center of the keyboard. Pressing the standby button turns off the display and the hard disk drive, and it saves your current session to RAM. (Standby can also occur automatically when the timeout setting in the Power Management Properties is reached.)

To return the computer to normal operation when it is in standby mode, press the standby button again. The display and the hard disk drive will turn on, and the session you were working on earlier will be recovered from RAM.

---

#### **Hint**

If your notebook does not turn on when operating on battery power, the battery may not be sufficiently charged. Plug in the AC adapter and slide the power switch to the left and release it. Keep the adapter plugged in until your battery is charged again.

---

---

## Setting Up the Computer

---

### To install the battery

Your computer is shipped with the battery installed. If the battery has been removed, you can install it by inserting it into the battery bay on the bottom of your computer. Insert the back edge first, as shown, then press down the front edge until the battery latch clicks shut.



Once you have installed the battery, connect the AC adapter to the computer and recharge the battery while you work. You can also replace a low battery with another that is more fully charged.

---

#### **WARNING**

---

**Do not mutilate, puncture, or dispose of batteries in fire. A battery can burst or explode, releasing hazardous chemicals. A rechargeable battery must be recycled or disposed of properly.**

Introducing Your Computer  
**Setting Up the Computer**

---

## To connect AC power

Plug in the AC adapter, then connect the AC adapter to the rear of the computer. The battery starts charging.



---

**CAUTION**

**Use only an HP AC adapter intended for this product, either the adapter that came with the computer or another authorized HP adapter. Using an unauthorized AC adapter can damage the computer and may void your warranty. Refer to the warranty statement for your product.**

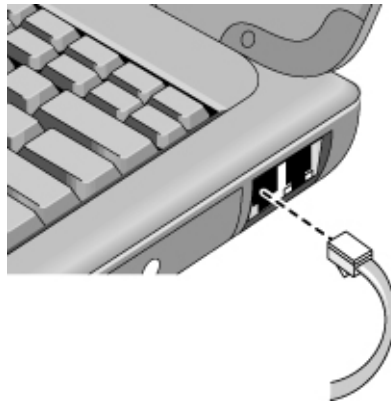
---

---

## To connect a phone line

Selected models of the HP notebook PC include a built-in modem. If you prefer, you can instead use a PC card modem or an external modem to connect a phone line.

1. Plug one end of the phone line into the modem phone jack on the computer. Be sure it clicks into place.



2. Plug the other end of the phone line into a telephone jack. (If the phone line does not fit your telephone jack, you may need to use an adapter.)

---

### CAUTION

**Your built-in modem may not work with multiple phone lines or a private branch exchange (PBX). It cannot be connected to a coin-operated telephone, and it does not work with party lines. Some of these connections may result in excess electrical voltage and could cause a malfunction in the internal modem. Check your telephone line type prior to connecting your phone line.**

---

## To turn on the computer

Slide the power switch to the left—it's the control above the left side of the keyboard. Windows starts automatically. If you are turning on the computer for the first time, go to "To set up Windows" on page 22.

The power status light next to the power switch (see "Status lights" on page 16) reports the following:

- steady green light: computer is on

## Introducing Your Computer

### Setting Up the Computer

- steady amber light: computer is in system standby (or suspend) mode
- no light: computer is off or in hibernate mode

See “Managing Power Consumption” on page 48 for additional information about turning off your computer.

---

**Hint**

If your computer does not turn on when operating on battery power, the battery may be out of power. Plug in the AC adapter and slide the power switch to the left again.

---

## To set up Windows

Your HP notebook has Microsoft Windows—either Windows 98, Windows ME or Windows 2000—preinstalled on the hard disk drive. The first time you turn on your computer, a Windows Setup program will automatically run so that you can customize your setup.

Before you begin, connect the AC adapter to your notebook, since your battery may not be sufficiently charged to complete the Windows setup. Also, be sure to connect the notebook to a phone line; see “To connect a phone line” on page 21.

1. Slide the power switch to the left.
2. The Windows Setup program starts automatically.
3. Follow the instructions as they appear on the screen.

During setup, you are prompted to:

- enter a user name
- accept the License Agreement

You can also register your computer at this time. Follow the instructions on the screen during setup, or—if registration does not occur during setup—double-click the HP Notebook Registration icon on the desktop.

---

**Note**

You may be required to enter your Windows ID number. To locate it, look on the Certificate of Authenticity packaged with the Microsoft Windows manual or look for a sticker in the battery compartment.

If you have any connection problems with your modem, try redialing. If that doesn't work, you can skip registration for now.

---

---

## To register your computer

Be sure to register your computer. Registering is free and fast, and it ensures you will receive quicker, more personalized support. The information you provide during registration will be used to provide you with better products and services.

There are three ways to register:

- by modem
- by phone
- by fax

### **By modem**

If you have Windows 98 or Windows ME, you are prompted automatically to register. To register by modem, see that the phone is connected, then follow the onscreen instructions.

If you have Windows 2000, you are not prompted to register, but you can register by modem if you double-click the HP Notebook Registration icon on the desktop or click the Register link in the Windows 2000 welcome screen. See that the phone line is connected and follow the onscreen instructions.

If you choose not to register right away, you can register by modem later by double-clicking the Registration icon on the desktop. This icon disappears after you register.

---

#### **Note**

In Windows 2000, if the registration application is launched from a reminder (e.g., from the Microsoft Task Scheduler), it may fail to find a phone number for your country. In this case, double-click the HP Notebook Registration icon on the desktop and the application will succeed in finding a phone number to register successfully.

---

#### **Note**

If you encounter a busy signal while attempting to register by modem, the registration client may suspend with an hourglass icon. Click the Back button and dial-out again.

If your computer does not have a built-in modem, you can register after you set up a PC card modem or an external modem—or you can register by phone or fax.

### **By phone**

You can call your HP Customer Care Center and register by phone. Check “To call HP ” on page 93 for the phone number.

## Introducing Your Computer Setting Up the Computer

### By fax

If a printer is connected to your computer, you can print a copy of your registration and fax it to HP. You will find the fax number on the registration form.

By completing registration, you will:

- Record your ownership of the computer with Hewlett-Packard and gain access to service, support, and information.
- Record your ownership of the Windows operating system with Microsoft. If you have Windows 2000, please contact Microsoft separately for registration of the operating system.

---

## To connect to an Internet Service Provider

Before you can connect to the Internet, you need to set up an account with an Internet Service Provider (ISP). In some countries, Hewlett-Packard provides easy Internet sign-up so that you can connect quickly to an ISP.

1. Connect the included telephone cord to your built-in modem. (If your computer does not have a built-in modem, you can instead use a PC card modem or an external modem.)
2. Click Start, Programs, Online Services and select one of the listed ISPs. This begins the registration process for the ISP you have chosen.

*OR*

If available, double-click the desktop icon labeled “Connect to the Internet.” This will launch the Internet Connection wizard, which will help you locate an ISP in your area.

*OR*

If available, double-click the desktop icon labeled “HP e-Center” and select “Internet sign-up”.

*OR*

If available, double-click the desktop icon labeled “Easy Internet Signup”.

If AOL is your ISP, click Start, Settings, Control Panel, Internet Options and select the Connections tab. Select either “Dial whenever network connection is not present” or “Always dial my default connection” in order for HP e-Center to connect to AOL.

You can also make arrangements with an ISP of your choice for Internet connection.

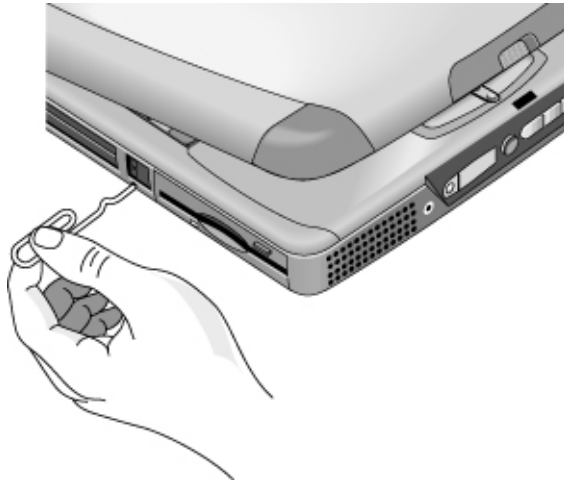


---

## To reset your computer

If Windows or your computer stops responding, you can reset the computer and restart Windows.

1. If possible, shut down Windows (Start, Shut Down, Shut down, OK).
2. If the computer does not shut down, slide and hold the power switch for five seconds, then release it.
3. If the computer still does not shut down, insert a pin or straightened paper clip into the recess on the left side of the computer, underneath the PC card eject buttons.



4. After the computer shuts down, slide the power switch and release it to turn the computer on again.



---

## Using Your Computer

---

## Operating the Computer

---

### To use the Fn hot keys



The combination of the Fn key plus another key creates a *hot key*—a shortcut key sequence—for various system controls. Press *and hold* Fn while pressing the appropriate key. (When using an external keyboard, press and hold Ctrl+Alt with the appropriate key—use the Ctrl and Alt keys on the left side of the keyboard.)

<b>Hot key</b>	<b>Does this</b>
Fn+F1	Decreases the display's brightness (TFT screens only)
Fn+F2	Increases the display's brightness (TFT screens only)
Fn+F3	Decreases the display's brightness (HPA screens only)
Fn+F4	Increases the display's brightness (HPA screens only)
Fn+F5	Switches among the built-in display, an external display, and simultaneous displays
Fn+F7	Toggles the sound on and off (mutes sound)
Fn+F8	Toggles the embedded numeric keypad on and off (see "To use the embedded keypad" on page 30)
Fn+Lock key*	Toggles Scroll Lock on and off (except on external keyboard)
Fn+Up arrow	Increases sound volume (except on external keyboard)
Fn+Down arrow	Decreases sound volume (except on external keyboard)

\*The Lock key is in the top row of the keyboard:



---

## To use the Windows and Applications keys



The Windows key brings up the Windows Start menu. This is the same as clicking the Start button on the taskbar.




The Applications key brings up the shortcut menu for the current application. This is the same menu that appears when you click the right mouse button while pointing at the application.

### **Windows key combinations**

<b>Key combination</b>	<b>Does this</b>
Windows key+BREAK	Displays System Properties dialog box (Windows 2000 and Windows ME)
Windows key+E	Runs Windows Explorer (Windows 98) or My Computer (Windows 2000 and Windows ME)
Windows key+F1	Runs Windows Help
Windows key+F	Runs Windows Find: Files or Folders
Windows key+M	Minimizes all displayed windows
Shift+Windows key+M	Returns all minimized windows to original size
Windows key+R	Starts the Windows Run dialog box
Windows key+U	Opens Utility Manager (Windows 2000 and Windows ME)

## To use the embedded keypad

After pressing Fn+F8 to activate the numeric keypad, you must press the Lock key  (in the top row of the keyboard) to turn number lock on or off.

When number lock is on:

- Keys change to the numeric or arithmetic designations printed on the right side of the keys in the numeric keypad area.
- The Num Lock status indicator is lit.
- To turn off the embedded keypad, press Fn+F8 again.

---

## To use the ALT GR key

Non-U.S. keyboards have an ALT GR key to the right of the spacebar. This is a shift key providing access to certain keyboard characters.

- For a character in the lower-right corner of a key, press and hold ALT GR to type the character.



1. Shifted.
2. Unshifted.
3. ALT GR.

---

## To adjust the display brightness

You can adjust the brightness of your notebook's display.

For TFT screens:

- To decrease the brightness, press Fn+F1.
- To increase the brightness, press Fn+F2.

For HPA screens:

- To decrease the brightness, press Fn+F3.
- To increase the brightness, press Fn+F4.

When you are using battery power, the display dims automatically to conserve power. You can use the brightness controls to override this adjustment.

---

## To adjust the volume

### **From the keyboard**

- To increase the volume, press Fn+Up arrow.
- To decrease the volume, press Fn+Down arrow.
- To temporarily silence the speaker without changing the volume setting, press Fn+F7. Press Fn+F7 again to restore the speaker output.

### **In Windows**

1. Click the speaker symbol in the taskbar.
2. Drag the volume control bar up or down to adjust the volume.
3. To temporarily silence the speaker without changing the volume setting, click Mute.

### **With the multimedia buttons**

If your computer has multimedia buttons (located on the front of the computer), you can use the volume control buttons to adjust volume for most audio applications, including the CD player, when the computer is on. When the computer is off, you can use these buttons to adjust the volume for music CDs.

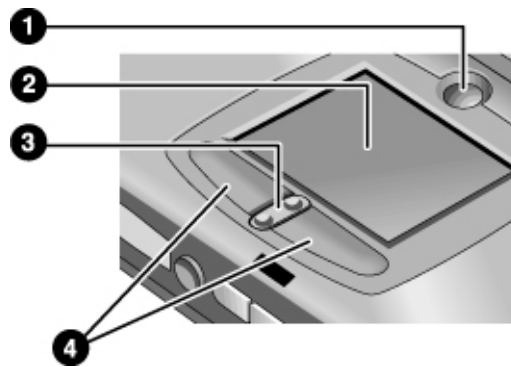
- To increase the volume, press the volume control up button.
- To decrease the volume, press the volume control down button.

### **From within an application**

Many audio applications contain volume controls within the software; consult Help in an application to use such controls. In some cases, the application responds only to those controls.

## To use the touch pad

The touch pad, a touch-sensitive pointing device that controls the motion and speed of the pointer on the screen, is built into your computer.



- 1 Pad Lock (touch pad on/off button)
- 2 Touch pad (pointing device)
- 3 Scroll up/down toggle
- 4 Click buttons

- Move a thumb or finger across the touch pad in the direction you want the pointer to move.
- Use the click buttons, which function like the left and right buttons on a mouse, to make your selection. You can also tap on the touch pad instead of clicking a button.
- To open an application, move the pointer over the icon, then press the left click button twice rapidly (double-click). You can instead tap twice on the touch pad.
- To make a menu selection, move the pointer to the item and click the left click button once.
- To open the shortcut menu for an item, move the pointer over the item and click the right click button.
- To drag an item, move the pointer over the item. Press and hold the left click button while you move the pointer to the new location. Release the button.
- To scroll up and down, press the top or bottom of the center toggle below the touch pad.



- To disable the touch pad, press the Pad Lock button. (The amber touch pad indicator lights.) To reenable it, press the Pad Lock button again. You may wish to disable the touch pad, for example, when you are entering text and do not want to move the cursor accidentally. Avoid contact with the touch pad itself at the same time you are pressing the Pad Lock button (to disable or to reenable); simultaneous contact will not allow the Pad Lock button to work properly.

To customize the operation of the touch pad (and an external PS/2 or serial mouse, if installed), double-click the Synaptics Touch Pad icon to access Mouse Properties; you will find the icon in the taskbar, toward the lower right corner of your screen. Select the tab corresponding to the characteristics you want to configure, including:

- button configuration for right-handed or left-handed operation (Button tab for mouse, Button Actions tab for touch pad)
- double-click speed, pointer speed, and pointer trail
- click sensitivity

---

**Note**

The touch pad is by default inactive when an external mouse is installed. You can enable both touch pad and an external pointing device by changing the BIOS setting. See “Using the BIOS Setup Utility” on page 82

---

## To use the One-Touch buttons

The One-Touch buttons on your HP notebook allow you to start your e-mail or a Web browser—or any other application—by pressing a single button. The buttons are configured initially for specific applications, but you can change the configuration to start any applications you want.

When you press a One-Touch button, the name of the application that’s starting appears onscreen. You can modify the appearance of the name by selecting the color, size, and style you prefer.

### To configure a One-Touch button

1. Click Start, Settings, Control Panel.
2. Double-click Keyboard. (If you do not see Keyboard, click Show All Control Panels.)
3. Select the One-Touch buttons tab.
4. Click on the button of the key you want to reconfigure.

## Using Your Computer

### Operating the Computer

5. In the Button Label field, type the name of the application you want to start with this button. This name will appear onscreen when you press the button.
6. From the list of preinstalled applications, select the application to be associated with the button.

*OR*

If the desired application is not on the list, select “Select a file on your computer” and click the Browse button to choose any file on your notebook.

*OR*

If you want to attach a Web page to the button, select “Type in a Web site address” and then select a Favorites page or type the URL of the page you want.

7. If you want the computer to start automatically (and then start this application—or find this website), select “Enable system wake-up for this button.”
8. Click OK, then OK again to close the Keyboard properties window.

#### **To format display of application names**

When you press a One-Touch button on your HP notebook, the name of the application that is starting appears onscreen. You can change the size, color, and font of the display, as well as the length of time it appears. (These settings also affect the display of multimedia messages when you play an audio CD or a movie DVD with the optional multimedia buttons on the front of the unit.)

#### **To format the display**

1. Click Start, Settings, Control Panel.
2. Double-click Keyboard. (If you do not see Keyboard, click Show All Control Panels.)
3. Select the One-Touch buttons tab.
4. Click Change Onscreen Display.
5. Follow the instructions below for specific formatting actions.

#### **To change the font of the display**

1. Select Change Font.
2. Choose the desired typeface and style.
3. Click OK, then Done, then OK.

**To change the color of the display**

1. Select Change Color.
2. Click on the desired color swatch.
3. Click OK, then Done, then OK.

**To enable or disable Onscreen Display**

1. Check Enable to enable onscreen display. (Or uncheck Enable to disable.)
2. Click Done, then OK.

**To change the size of the display**

1. Click the Size arrow.
2. Select the desired size.
3. Click Preview to see a sample message displayed in that size.
4. Click Done, then OK.

**To change the length of time the display appears**

1. Click a Timeout arrow repeatedly to choose a number from 1 to 10 seconds.
2. Click Preview to see a sample message displayed for that time.
3. Click Done, then OK.

---

**To insert or remove a CD or DVD**

---

**CAUTION**

---

**Do not insert or remove a CD while the computer is reading it. Otherwise, the computer could stop responding and you could lose data.**

1. Press the button on the face of the CD-ROM or DVD drive. If you are using this drive for the first time, be sure to remove any packing material that may be present.
2. Place the CD into the drive (label facing up) *and gently press down to seat it on the spindle, making sure that the CD snaps onto the spindle.*

*OR*

Remove the CD.

## Using Your Computer

### Operating the Computer

3. Slide the tray back into the module to close it.

---

**Note**

---

If your computer loses power, you can manually open the drive to remove a CD by inserting a straightened paper clip into the recessed hole on the front of the drive.

---

### To use your DVD drive or CD-RW/DVD drive

If your computer came with a DVD drive, the software needed to play DVD movies has been preinstalled on your computer. Click Start, Programs, DVD player software. (The name of the DVD player program can vary.)

If you need to reinstall the DVD player software, run  
C:\HP\PROGRAMS\DVD\SETUP.EXE.

---

**Note**

---

The DVD player in your notebook PC performs to high and advanced specifications. It would *not* benefit from the installation of a software program called “PC Friendly” that is included with many DVD titles. We recommend against installing PC Friendly on your notebook PC. In fact, PC Friendly can cause your DVD player to perform erratically and produce errors. If this should happen, uninstall PC Friendly, reboot, and try playing your DVD again.

---

### To use your CD-RW drive or CD-RW/DVD drive

If your computer came with a CD-RW drive, the software needed to read, write, and rewrite CDs will need to be installed.

Depending on the operating system on your notebook, continue with one of the following procedures:

- Adaptec software preloaded: Click Start, Programs, Adaptec Easy CD Creator, Setup. Click on “Easy CD Creator” or “DirectCD” to choose your installation. (You can also go to C:\HP\PROGRAMS\CDRW\SETUP.EXE to run the install directly.)
- Adaptec software on CD: Locate the Adaptec CD, insert it into the drive and setup will run automatically. Follow the instructions on the screen.

---

## Securing the Computer

It is important to maintain security of the computer and of your data. You can improve security by—among other methods—using a password, locking the computer with a cable, or setting up virus protection.

---

### To set up password protection

You can protect your computer from access by another user when you set up password protection, which is available either through Windows (software) or through the BIOS Setup utility (hardware). Both methods provide protection when the computer is rebooted: a user must then enter the password. However, the BIOS password protection does not ask for a password when your computer resumes after standby (suspend) or hibernate, while Windows does provide that security.

If you want to set up hardware password protection, see “Using the BIOS Setup Utility” on page 82.

#### **To set up password protection in Windows 98**

1. Click Start, Settings, Control Panel.
2. Double-click Passwords.
3. Select Change Passwords tab.
4. Click Change Windows Password.
5. Enter your old Windows password, if you had one; if not, leave Old Password blank.
6. Enter your new password twice.
7. Click OK, OK .

#### **To activate password protection when resuming in Windows 98**

1. Check that you have set up a Windows password, as described above.
2. Click Start, Settings, Control Panel
3. Double-click Power Management.
4. Select Advanced tab.

## Using Your Computer

### **Securing the Computer**

5. Check "Prompt for password when computer goes off standby."
6. Click OK.

#### **To set up password protection in Windows 2000**

1. Press Ctrl+Alt+Del.
2. Click Change Password.
3. Enter your old Windows password, if you had one; if not, leave Old Password blank.
4. Enter your new password twice.
5. Click OK.
6. Click Cancel

If you want to set up hardware password protection for a non-Administrator account, see Windows Help and Support (click Start, Help).

#### **To activate password protection when resuming in Windows 2000**

1. Check that you have set up a Windows password, as described above.
2. Click Start, Settings, Control Panel
3. Double-click Power Options.
4. Select Advanced tab.
5. Check "Prompt for password when computer goes off standby".
6. Click OK.

#### **To set up password protection in Windows ME**

1. Click Start, Settings, Control Panel.
2. Double-click Passwords. (If you do not see the Passwords control panel, click on the View all Control Panels option.)
3. Select Change Passwords tab.
4. Click Change Windows Password.
5. Enter your old Windows password, if you had one; if not, leave Old Password blank.
6. Enter your new password twice.
7. Click OK and Close.

### **To activate password protection when resuming in Windows ME**

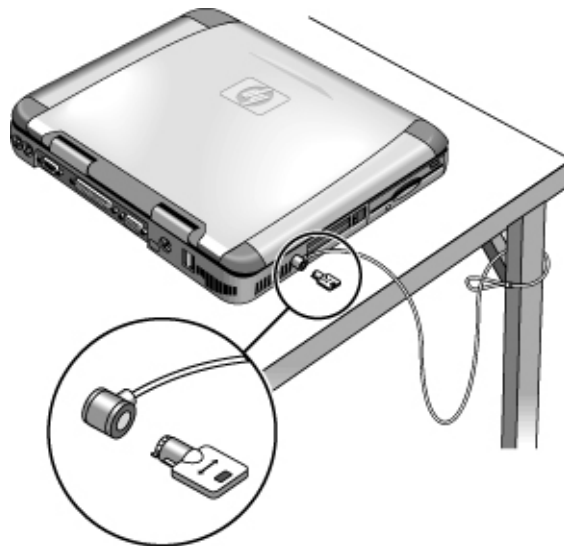
1. Check that you have set up a Windows password, as described above.
2. Click Start, Settings, Control Panel
3. Double-click Power Options.
4. Select Advanced tab.
5. Check "Prompt for password when computer goes off standby and hibernate."
6. Click OK.

---

### **To attach a security cable**

Your computer has a built-in connector that allows you to secure the computer with a cable. The Kensington MicroSaver lock system works with this connector and is available at many computer stores.

1. Wrap the cable around a stationary object, such as a table leg.



2. Loop the cable to create a slipknot around the stationary object—make sure it can't slip off.

Using Your Computer  
**Securing the Computer**

3. Insert the lock into the computer's security connector and release the key. Store the key in a safe place away from the computer.

---

## To use virus-protection software

Virus-protection software can help protect the integrity of your data. This is especially important when you are connected to the Internet.

To access virus-protection software, click Start, Programs, McAfee VirusScan (in Windows 2000, click Start, Programs, Network Associates, VirusScan). Refer to help within the application for tips on usage.



---

## Working in Comfort with a Notebook PC

You can use your HP notebook computer virtually anywhere, anytime. The following recommendations should help you work more comfortably.

Note that if you are using your portable computer as your primary computer, or using it for extended periods, you should use it with a full-size keyboard, monitor, and mouse. This will give your portable computer the adjustability and comfort features of a desktop unit. HP docking accessories offer quick, easy connections to these devices. More information on how to prepare your workspace environment and set up your HP equipment is available in *Working in Comfort*, which is preloaded on the hard disk in the HP Library (under Start, Programs, HP Library) and available on the Recovery CD in \hp\library—as well as at [www.hp.com/ergo](http://www.hp.com/ergo). (In Windows ME, you can access *Working in Comfort* by clicking Start, Help, Your HP Notebook, Working in Comfort.)

---

### **WARNING**

**Improper use of keyboards and other input devices has been associated with ergonomic injury. For more information about reducing your risk, visit our ergonomics website or see *Working in Comfort* in the online HP Library.**

---

#### **Your mobile work environment**

- Use a chair that provides good support for your lower back. If an adjustable chair is not available, you can use a pillow or rolled-up towel to provide lower back support.
- Try to keep your thighs parallel to the floor and your feet flat on the floor. In a mobile environment, you can do this by using a phone book or briefcase to support your feet.
- Adjust the height of either your work surface or chair to keep your arms in a neutral position. Your arms should be relaxed and loose, elbows at your sides, with the forearms and hands parallel with the floor.
- Position your notebook computer display to minimize glare and reflection. For example, on an airplane, lower the window shade; or in a hotel room, draw the curtains. You also should maintain a comfortable viewing distance—approximately 40 to 60 cm (16 to 24 inches). Adjust the angle of your display to help keep your head angled slightly downward in a comfortable position.

Using Your Computer  
**Working in Comfort with a Notebook PC**

**Using your mobile computer**

- Position the computer so your wrists and hands are in a neutral position. Your wrists should be as straight as possible and should not have to bend sideways or more than 10 degrees up or down. Your HP notebook computer has a built-in palm rest, which is ideal for this purpose.
- Try to type as lightly as possible. The notebook keyboard requires little force to activate.
- Take frequent, short rest breaks—this is especially important in a mobile computing environment.
- Portable computers weigh between approximately 1.5 and 4 kilograms (approximately 3 to 8 pounds). When traveling, be sure to carry your computer properly to minimize strain on your body. Shift the bag containing your notebook equipment frequently between your left and right hands and shoulders.

---

## Caring for Your Computer

Here are some recommendations for maintaining your computer during everyday use, as well as preventing potential physical damage or data loss.

---

### To protect your hard disk drive

Hard disk drives, like other internal components, are not indestructible and can be damaged by inappropriate handling and operation.

- Avoid bumps or jolts.
- Do not operate the computer while traveling over bumpy terrain.
- Standby, hibernate or shut down the computer before transporting it. This turns off the hard drive. A drop of a few inches onto a rigid surface while the hard drive is operating could cause loss of data or damage to the drive.
- Carry the computer in a padded case to protect against bumps and jolts.
- Set the computer down gently.
- When the computer has been in a very cold or very hot environment, do not start it again until it has returned to a more moderate temperature.

---

### To take care of your computer

- Provide adequate ventilation around the computer. Ensure that the notebook is sitting on a flat surface, so that air is able to flow underneath the unit. See that there is adequate clearance to the rear and sides of the computer, so that fan vents are not blocked.
- Be sure to shut down, hibernate, or standby the computer before putting it in a carrying case or other enclosed space.
- Do not pick up or carry the computer by the display.
- Do not use the computer outside in the rain or snow (or other inclement weather) or in any extremes of temperature or humidity.

## To safeguard your data

- Do not touch the touch pad or activate any other device that interrupts operation while the system is starting or stopping.
- Back up your work regularly. Copy files to floppy disk, tape, or network drives.
- Use a virus-scanning program, such as VirusScan, to check the integrity of your files and operating system. Since new viruses appear frequently, you will also want to update the program's virus definitions from time to time. Updates for VirusScan are on the Web at [www.networkassociates.com](http://www.networkassociates.com); if you are using another application, see help for updating information.
- For Windows 98 and Windows ME, check your disk using the scandisk utility (click Start, Programs, Accessories, System Tools, ScanDisk).
- For Windows 2000, check your disk using error-checking (open My Computer, select the disk you want to scan, click File, click Properties, select the Tools tab, and click Check Now).

---

## To extend the life of the display

Observe the following guidelines to extend the life of the backlight in the computer display.

- When working at your desk, connect an external monitor and turn off the internal display (Fn+F5).
- If you are not using an external monitor, set the Turn off monitor timeouts (for both AC and battery operation) to the shortest comfortable interval (Control Panel, Power Options (in Windows 98: Power Management), Power Schemes tab).
- Set the brightness control to the minimum level for your comfort (Fn+F1 or Fn+F2 for TFT display).

---

## To get the most from your batteries

- Do not leave batteries unused for long periods of time. If you have more than one, rotate them.
- If you normally use AC power, make a practice, at least once a week, of using the battery as your power source.
- Unplug the AC adapter when the computer is not in use.
- To lengthen the life of a battery, be sure to charge the battery regularly.
- For long-term storage, the battery must be charged at 20–50% to minimize capacity loss by self-discharge and to avoid deterioration of battery performance.
- For a model with a dual-speed processor, use the lower speed on battery power (see “To control the processor speed” on page 55). The default settings conserve battery power.

---

## To clean your computer

You can clean the computer with a soft cloth dampened either with clean water or with water containing a mild detergent.

- Do not use an excessively wet cloth or allow water inside the case.
- Do not use any abrasive cleaners, especially on the display. Do not apply any cleaner directly to the display. Instead, apply the cleaner to a soft cloth and then gently wipe the display.
- You can clean the keyboard with a vacuum cleaner to remove accumulated dust.



---

## Traveling with Your Computer

---

## Managing Power Consumption

When you are not using your computer, you will want to maximize battery operating time without compromising performance. It is not necessary to turn the computer off in order to reduce power consumption and extend battery life.

With Windows 98, Windows ME and Windows 2000, Advanced Configuration and Power Interface (ACPI) provides both manual and automated tools for reducing power consumption.

- You can set power management options to occur automatically, based on timeout values entered.
- You can also invoke power management options manually at any time by pressing the appropriate key. See “To use manual power management” below.

---

### To use automated power management

System hibernation, standby, monitor, and hard disk timeouts automatically occur based on the values set in the Power Management Properties window (Windows 98) or the Power Options Properties window (Windows ME and Windows 2000). The following tables describe the power management timeouts you can set in Windows.

#### System hibernation

<b>Action</b>	Saves current session to disk, then shuts down. Provides maximum power savings while still allowing you to recover the current session.
<b>When</b>	After being in standby for the specified interval. (Windows ME and Windows 2000 only) -OR- Critical low battery.
<b>Resume</b>	Slide the power switch to the left to recover your current session. This may take several minutes.

When battery power reaches a critically low level, see “To respond to a low-battery warning” on page 54.



---

**Note**

When the system hibernates as a result of a critically low battery, you will find when resuming that all your data has been saved but that some functions may be disabled. To resume normal operation, restore power (by connecting AC power or installing a charged battery), perform a full shutdown, and then restart the computer.

---

**Turn off monitor**

<b>Action</b>	Turns off the display. This conserves battery power and extends the life of the display.
<b>When</b>	No activity of the keyboard or mouse for the specified interval.
<b>Resume</b>	Press any key or move the pointer to return to your current session.

**Turn off hard disks**

<b>Action</b>	Turns off only the hard disk drive. This is usually set to occur shortly after the monitor is turned off.
<b>When</b>	No hard disk access for the specified interval.
<b>Resume</b>	Press any key or move the pointer to return to your current session.

**System standby**

<b>Action</b>	Turns off the display and hard disk drive to conserve battery power.
<b>When</b>	No activity of the keyboard or mouse, no disk drive access, and no port (serial, parallel, or IR) activity for the specified interval.
<b>Resume</b>	Press the blue standby button to return to your current session.

A message box appears 15 seconds before system standby takes effect. This allows you to stop the process and save your work if you have not recently done so. (In Windows 98, Windows ME and Windows 2000, *standby* and *suspend* are equivalent terms.)

---

**CAUTION**

**Make a habit of saving your work before allowing your computer to go to system standby. If there is an interruption in power while the computer is in standby, information that has not been saved will be lost.**

---

## Traveling with Your Computer

### Managing Power Consumption

You can also create power schemes that will automatically shut down the computer components (not the computer itself) after a specified period of nonuse. Define these schemes so that they best support the ways you use your computer.

#### To set power management properties

1. Click Start, Settings, Control Panel.
2. Double-click Power Management in Windows 98; double-click Power Options in Windows 2000 and Windows ME. (For details see Windows Help and Support.)
3. Set the timeout periods you prefer. (You can choose Never, but that setting is not recommended for hibernate mode.)
4. Click OK.

---

### To use manual power management

You can manage your computer's power manually whenever you need to. with any of the following three levels of power management.

#### System Standby

<b>Action</b>	Turns off the display and hard disk drive.
<b>When</b>	Press the blue standby button -OR- click Start, Shutdown, Standby -OR- Configure lid, power button, or sleep button to perform the standby action. Then close lid or press button.
<b>Resume</b>	Press the blue standby button to return to your current session.

System standby can also occur automatically when the timeout setting in the Power Management Properties window is reached. (In Windows 98, Windows ME and Windows 2000, *standby* and *suspend* are equivalent terms.)

---

#### CAUTION

**Make a habit of saving your work before allowing your computer to go to system standby. If there is an interruption in power while the computer is in standby, information that has not been saved will be lost.**

---

### System Hibernation

<b>Action</b>	Saves the current session to disk, then shuts down. Provides maximum power savings while still allowing you to recover the current session. Restores network connections.
<b>When</b>	Click Start, Shut Down, Hibernate (Windows ME and Windows 2000) -OR- Configure lid, power button, or sleep button to perform the hibernation action. Then close lid or press button (Windows 98, Windows ME, and Windows 2000). -OR- Press Fn+F12 (in Windows 2000 only)
<b>Resume</b>	Slide the power switch to the left to recover your current session. This may take several minutes.

Hibernate mode also occurs automatically when battery power reaches a critically low level. See “To respond to a low-battery warning” on page 54. In Windows 98, hibernate mode occurs automatically with critical low battery power only; and manual initiation of hibernate is not available by default (except, if you wish, you can modify the default setting for the power switch or the standby button to manually initiate hibernate mode instead).

### Off

<b>Action</b>	Turning off your computer provides maximum power savings. The current session is not saved and unsaved data will be lost.
<b>When</b>	Click Start, Shut Down, Shut down (recommended) -OR- Slide the power button and hold for 4 seconds -OR- Configure a power button (same as Hibernate mode).
<b>Resume</b>	Slide the power switch to the left to start a new session. This may take several minutes.

If the system stops responding and you are not able to turn off the computer as described above, you can still recover. See “To reset your computer” on page 25.

Traveling with Your Computer  
**Managing Power Consumption**

**To set power management properties**

1. Click Start, Settings, Control Panel.
2. Double-click Power Management in Windows 98; double-click Power Options in Windows 2000 and Windows ME. (For details see Windows Help and Support.)
3. Set the timeout periods you prefer. (You can choose Never, but that setting is not recommended for hibernate mode.)
4. Click OK.

---

## Using Battery Power

You can operate the HP notebook PC on battery power for extended periods, but you should be prepared to save your work and shut down if the battery is low. Follow the tips in this section to maximize the length of time you can operate on battery power.

---

### To check the battery status

#### From the battery status light



The battery status light reports the following information:

Green	AC attached—battery full
Amber	AC attached—battery charging
Red	AC attached—battery will not accept charge (abnormal)

## Traveling with Your Computer Using Battery Power

### From the Windows taskbar

The System Tray on the Windows taskbar includes a power icon that allows access to more detailed battery status information. The icon looks like a battery when AC is not connected.

- Place pointer over the power icon to display the percentage of charge remaining.
- Right-click the power icon to view the options for displaying power information.
- Left-click the power icon to display a menu of the available power schemes.

### From the status panel

If your computer has a status panel, press the status panel mode button repeatedly until you see the battery icon and the percentage of charge remaining.

---

## To respond to a low-battery warning

The computer automatically alerts you when the battery power drops to a critically low level. First you will hear a high-pitched beep. Then, if you have not taken restorative action within a short time, the system hibernates.

You won't be able to turn the computer on again until you restore power by one of the following actions:

- Plug in the AC adapter (see "To connect AC power" on page 20).

*OR*

- Replace the battery with one that is charged (see "To install the battery" on page 19). The system must first be shut down or put into hibernate mode before changing the battery.

---

**Note**

If you plug in the AC adapter, you can continue to work while your battery recharges.

---

## To optimize battery operating time

- Plug in the AC adapter, especially while using the CD-ROM drive or DVD, the floppy disk drive, or any external connections such as a PC card or a modem.
- If you have an I/O PC card—that is, a PC card having an external connection, such as a network card—remove it when you're not using it. Some I/O cards use significant power, even while they're inactive.

- If you work with an application that uses the serial port or an I/O PC card, exit the application when you have finished using it.
- Turn off the CD player when you are not using it.
- See “Managing Power Consumption” on page 48 for other ideas about reducing power consumption while the computer is not in use.

---

## To control the processor speed with SpeedStep

If your computer contains a high-speed Pentium III processor with Intel SpeedStep Technology, you can change settings that control the processor speed. Your computer has this feature if the taskbar contains an Intel SpeedStep Technology icon (a checkered flag).

With the default settings, the processor speed changes automatically according to the power source (AC adapter or battery). The lower speed uses power more efficiently and is typically in effect when the computer is running on battery power.

### To use automatic speed changes with SpeedStep

- If you reboot the computer with the AC adapter plugged in, the processor starts at high speed. If the computer is on battery power, the processor starts at low speed.
- If you unplug the AC adapter while the computer is running or on standby, the processor changes to low speed.
- If you plug in the AC adapter while the computer is running or on standby, the processor changes to high speed.

### To change speed settings with SpeedStep

- To set the speed used by the processor at boot, or to disable the dual-speed feature, change the Intel SpeedStep Technology setting in BIOS Setup in the Power menu. For information on how to run BIOS Setup, see “Using the BIOS Setup Utility” on page 82.
- To set the speed used by the processor while Windows is running, double-click the Intel SpeedStep Technology icon in the taskbar or use the Control Panel Power icon.





---

## Making Connections

---

## Using the Modem

By connecting your modem to a telephone line, your PC can communicate with other networked computers. You can explore the Internet, send and receive e-mail messages, and send and receive faxes. Your HP notebook PC contains several software programs that work with your modem:

- Internet Explorer, for browsing the World Wide Web
- Outlook Express, for sending and receiving e-mail messages
- QuickLink III, for sending and receiving faxes (for Windows 98 and Windows ME)
- Fax, for sending and receiving faxes (for Windows 2000)

Selected models of the HP notebook PC include a built-in high-speed V.90 modem. This modem allows you to connect to any Internet Service Provider (ISP) that has V.90 interoperable modems. Check with your ISP for a list of telephone numbers that support V.90.

Note that the maximum speed for faxing is 14.4Kbps. Even though the built-in modem is capable of downloading at 56Kbps, your ISP may not operate at this speed; please check with your service provider for information. Transmission rates also depend on the condition of the telephone line.

If your computer does not have a built-in modem (or if you prefer to use a different modem), you can install a PC card modem or attach an external modem to the serial port.

---

## Important Safety Information

---

### CAUTION

**To reduce the risk of fire, use only No. 26 AWG or larger telecommunications line cord to connect the modem to the telephone wall jack.**

When using your computer with a telephone connection, always follow basic safety precautions to reduce the risk of fire, electric shock, and injury to persons:

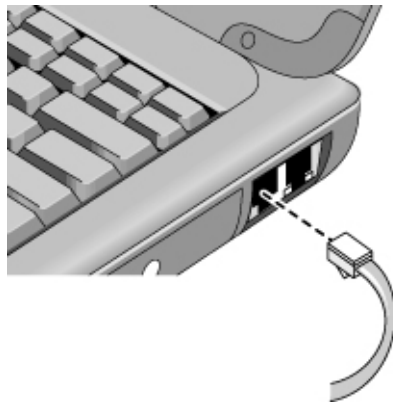
- Do not use this product with a telephone connection near water, for example, near a bathtub, sink, swimming pool, or in a wet basement.
- Avoid using a telephone connection (other than a cordless type) during an electrical storm. There may be a remote risk of electric shock from lightning.
- Do not use a telephone connection to report a gas leak in the vicinity of the leak.

- Use only the power cord and batteries indicated in this manual. Do not dispose of batteries in a fire. They may explode. Check with local codes for possible special disposal instructions.

---

## To connect the modem

1. Check that the telephone line is an analog line, sometimes called a data line. It should have 2, 3, or 4 wires. (You must not use a PBX or digital line.)
2. Connect a telephone cord with an RJ-11 plug to the built-in modem (or connect to a PC card or external modem). If the plug on the phone cord doesn't fit the modem jack, you may need to buy an adapter. *Use only No. 26 AWG or larger telecommunications line cord to connect the modem to the telephone wall jack.*



### Special notes about using a modem in certain countries

- In France, if you want to access the MiniTel system, you need MiniTel emulator software. If your computer was purchased in France, it includes the TimTel Light software. If your computer does not include TimTel Light, you must purchase emulator software separately.
- The pulse dialing feature may be disabled in certain countries, possibly because Loop Disconnect is not certified there. If pulse dialing is disabled, you should use tone dialing connections only.
- Many countries impose a blackout period after a modem repeatedly fails to connect to a service provider. The number of failed attempts and the period of time you must wait before trying again differ from country to country. Check with your telephone company. For example, if you are dialing from Italy and you fail to connect to your

## Making Connections

### Using the Modem

server or cancel the connection, you must wait one minute before dialing that same number again. If you dial before then, you will get an error message that says “delay.” After the fourth failed connection, you will need to wait one hour before trying the number again. If you dial before the hour is up, you will get a message that says “black list.”

- When using a modem in the Republic of South Africa, an external surge protector may be necessary in order to prevent computer damage by lightning or other electrical surges. Connect any approved surge protector to the modem cable whenever you are using the modem.

---

## To connect to the Internet

If you have not yet signed up with an Internet Service Provider (ISP), see “To connect to an Internet Service Provider” on page 24 for instructions.

When you have signed up with an ISP, you can connect to the Internet. Choose one of the following:

- If you signed up with AOL, AT&T WorldNet, Compuserve 2000, Earthlink, or Prodigy Internet, double-click the appropriate icon in the Online Services folder on the desktop.
- If you signed up with another ISP, double-click the Internet Explorer icon on the desktop, and then click the Connect button in the Dial-up Connection window.

When you are successfully connected to the Internet, you’ll see a connect icon (two connected computers) next to the clock on the taskbar. You are now ready to explore the Internet. To go to a specific website, enter the address (for example, [www.hp.com](http://www.hp.com)) in the browser’s Address field. To search for information on the Web, you can use the browser’s Search tool and enter the word or phrase you are looking for.

### To use AOL as your ISP

When you use AOL as your Internet Service Provider, you can access the Internet only with AOL’s own software; you can’t use a standard browser like Internet Explorer. As a result:

- You cannot view websites by clicking on links (such as those in the electronic *Reference Guide* that link to the HP notebook website).
- You cannot go to a website by entering the address in Windows Explorer.

If you try to access the Internet without using the AOL software, the Internet Connection wizard automatically launches, asking you to sign up for an ISP. In that case, cancel the wizard and launch AOL.

For additional ISP information, please refer to the Microsoft Operating Manual included in your box or Windows Help.

---

## To disconnect from the Internet

You remain connected to the Internet until you shut down the computer, disconnect the phone line from the computer, or give a command to hang up the connection.

- To disconnect from AOL, use the Sign Off menu.
- To disconnect from other ISPs, double-click the connect icon (two connected computers next to the clock) on the taskbar, and click Disconnect.

---

## To dial in to a network

You can use the modem to dial in to a LAN (local area network) that supports dial-in connections. This gives you access to network resources from a remote location.

- See Windows Help for information about setting up and using dial-in network connections—click Start, Help.

---

## To change your modem settings

The modem is already set up to be compatible with telephone systems and modems in most areas. However, in some situations, you may have to change modem settings to match local conditions. If you have questions about local requirements, contact your telephone company.

- **Control Panel.** Open Modems (Windows 98 or Windows ME) or Phone And Modem Options (Windows 2000) in Control Panel to change many modem settings.

For Windows 98 and Windows ME, on the General tab click Properties to set connection speeds or special dialing options.

For Windows 2000, on the Modems tab click Properties to set connection speeds, or on the Dialing Rules tab click Edit to set dialing options.

## Making Connections

### Using the Modem

- **Communications software.** Many communications applications provide options for controlling modem settings. See the help for your software.
- **AT commands.** You can control many aspects of modem operation using modem AT commands. AT commands are special strings of characters sent to the modem to set up specific conditions. Those command strings normally start with “AT” and contain additional characters. For a list of AT commands for the built-in modem, see “Modem Reference Information” on page 137.

For Windows 98 and Windows ME, open Modems in Control Panel. On the General tab, click Properties, then on the Connection tab click Advanced. You can type AT commands in the space for extra settings.

For Windows 2000, open Phone And Modem Options in Control Panel. On the Modems tab, click Properties. You can type AT commands on the Advanced tab in the space for Extra settings.

For example, to force the built-in modem to connect with V.34 modulation, you can use the +MS command, as shown in the table of AT commands—type AT+MS=11 in the space for extra settings.

---

## To send and receive e-mail

The steps for sending and receiving e-mail depend on your Internet provider. If you are using AOL, e-mail is part of your AOL service. For other ISPs, you can use Outlook Express (included with your computer) or an e-mail system of your choice. This section includes instructions for using Outlook Express.

### To start Outlook Express

1. Double-click the Outlook Express icon on the desktop. In Windows 2000, click Start, Programs, Outlook Express.
2. If you are not currently connected to the Internet, the Dial-up Connection window appears. Choose Connect to connect to the Internet.

### To send an e-mail message

1. Start Outlook Express.
2. Click the New Mail tool on the toolbar.
3. Fill in the information in the New Message window.
4. When you're finished, click the Send button.

### To receive e-mail messages

1. Start Outlook Express.
2. Click the Send/Recv tool on the toolbar to have Outlook deliver new messages.
3. Click the Inbox folder to view the list of messages. Unread messages appear bold on the screen.
4. To view a message, click it once. (Or double-click to view the message in its own window.)

---

## To send and receive faxes (Windows 98 and Windows ME)

Sending and receiving faxes requires just a telephone connection—you don't need an Internet connection. You can use the modem and fax software to send and receive faxes on your computer. QuickLink III fax software is included with Windows 98 and Windows ME on the hard disk.

### To start QuickLink

With Windows 98 or Windows ME:

- Click Start, Programs, QuickLink III, QuickLink III.

The first time you start QuickLink, the Setup wizard steps you through the process of setting options and customizing the program for your personal use. Follow the onscreen instructions. If you're unsure which setting to choose, accept the default choice.

### To send a fax

With Windows 98 or Windows ME:

1. In QuickLink, click the QuickFax tool on the main toolbar.
2. Enter the fax number and the recipient's name and company.
3. Type the message body in the QuickFax Note area.
4. Click Send Fax.

If instead you want to send a document as a fax, open the document in its application window, then open the Print dialog box. Change the selected printer to QuickLink III, then print the document.

## Making Connections Using the Modem

### To receive faxes

With Windows 98 and Windows ME, faxes are automatically received when QuickLink is running in an open or minimized window. New faxes are indicated in the status box in the QuickLink window. To receive a fax manually, follow these steps:

1. When a fax call is coming in, click Start on the menu bar.
2. Click Manual Fax Receive.

### To view and print a fax

With Windows 98 or Windows ME:

1. In QuickLink, click the Fax Viewer tool on the toolbar.
2. Click Yes to view the fax now.
3. Click the printer icon to print the fax.

---

## To send and receive faxes (Windows 2000)

Sending and receiving faxes requires just a telephone connection—you don't need an Internet connection. You can use the modem and fax software to send and receive faxes on your computer. Fax software is built into Windows 2000.

### To set up for faxing

With Windows 2000:

1. Click Start, Settings, Control Panel, Fax. Enter your fax information.
2. On the Advanced Options tab, add a fax printer.  
If you do not want to receive faxes, stop here.
3. On the Advanced Options tab, open the Fax Service Management window.
4. In the list under Fax, click Devices, then right-click the modem and click Properties.
5. On the General tab, enable the modem to receive faxes.
6. On the Received Faxes tab, select the option to save faxes in a folder.



**To send a fax**

With Windows 2000:

- Click Start, Programs, Accessories, Communications, Fax, Send Cover Page Fax. Follow the instructions to create and send the fax.

If instead you want to send a document as a fax, open the document in its application window, then open the Print dialog box. Change the selected printer to the fax printer, then print the document.

**To receive, view, and print faxes**

With Windows 2000, if you enabled the modem to receive faxes, they are received automatically.

1. Click Start, Programs, Accessories, Communications, Fax, My Faxes.
2. In the Received Faxes folder, double-click the fax.
3. To print, click File, Print.

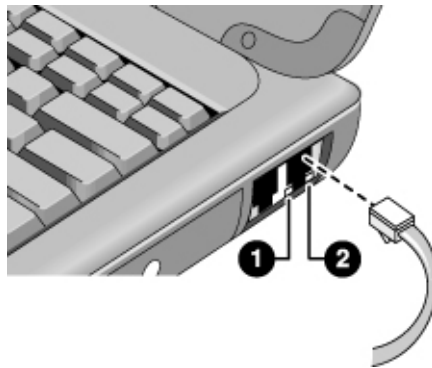
---

## Connecting to a LAN

If your computer has a LAN port, you can use it to connect to a local area network (LAN). This gives you access to network resources—such as printers and file servers on your corporate network—and in some cases also to the Internet.

### To connect to a LAN

1. Check that the existing LAN supports Ethernet 10Base-T (10 Mbps) or 100Base-TX (100 Mbps) connections.
2. Plug the LAN cable (not supplied) into the built-in LAN port. The cable must have an RJ-45 connector.



3. Windows 2000 automatically detects and sets up a LAN connection.

For Windows 98 or Windows ME, open Network in Control Panel to set up support for a LAN connection on your network. For example, you can add the Microsoft TCP/IP protocol.

See Windows Help or your Microsoft manual for information about setting up and using LAN connections—click Start, Help.

Contact your network administrator or ISP provider for network information.

Two lights under the LAN port indicate the status of the connection (see the figure above):

1. The yellow light indicates network activity.
2. The green light indicates that a link is established to the network.

---

## Connecting PC Cards

The two PC card slots are available for storing data and expanding communication capabilities. Your computer supports standard Type I, II, and III PC cards (PCMCIA and CardBus). You can use one slot or both.

---

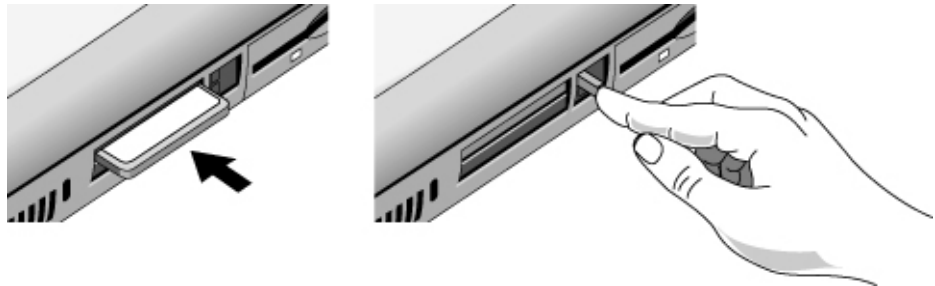
**CAUTION**

---

Do not remove a PC card while the computer is reading or writing data. If you do, you could lose data, or the computer could stop responding.

**To insert a PC card**

1. Hold the card with its face up and its connector holes toward the card slot.
2. Slide the PC card into the upper or lower slot until it is flush with the computer.

**To remove a PC card**

1. Stop the PC card:
  - Double-click on the PC card icon in the lower right of your screen.
  - In PC Card Properties, select the PC card you want to stop.
  - Click Stop.
2. Flip the eject button out, so that it sticks out from the side of the computer.
3. Press the eject button and pull out the PC card.

## Making Connections

### Connecting PC Cards

#### **To reestablish network connection after resume**

When you are using a network PC card, it is possible that you will lose network connection after a resume operation. If this occurs:

1. Stop the network PC card:
  - Double-click on the PC card icon in the lower right of your screen.
  - In PC Card Properties, select the network card.
  - Click Stop.
2. Flip the eject button out, so that it sticks out from the side of the computer.
3. Press the eject button and pull out the network card.
4. Insert the card again to reestablish network connection.

---

## Connecting External Components

You can connect external components—such as a printer, mouse, monitor, or keyboard—directly to your computer or to the optional port replicator (on models equipped with a docking connector).

---

### To identify the ports

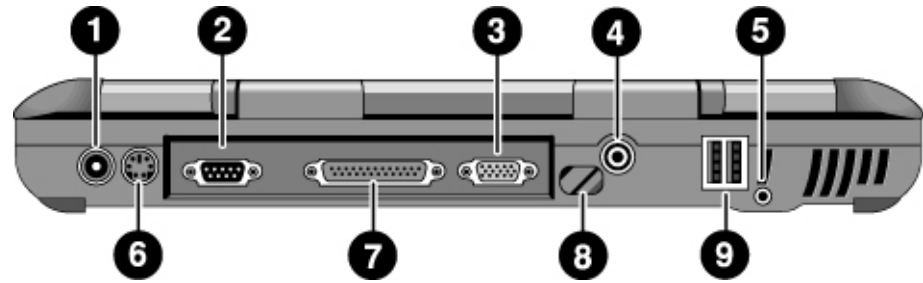
Using the ports on the rear of the computer or on the port replicator, you can connect the following external components. Table numbers refer to numbers in the figures.

Component	Port location on	
	Notebook	Port replicator (on selected models)
Audio device (input)	—	10
Infrared device ( <b>on selected models</b> )	8	—
Microphone	5	11
Modem (serial)	2	5
Monitor	3	7
Printer (parallel)	7	6
Printer (serial)	2	5
PS/2 keyboard	6*	3
PS/2 mouse	6*	2
Speakers	—	12
TV set	4	8
USB device	9	9

\*You can use a Y adapter (HP F1469A) to connect both a keyboard and mouse to your computer.

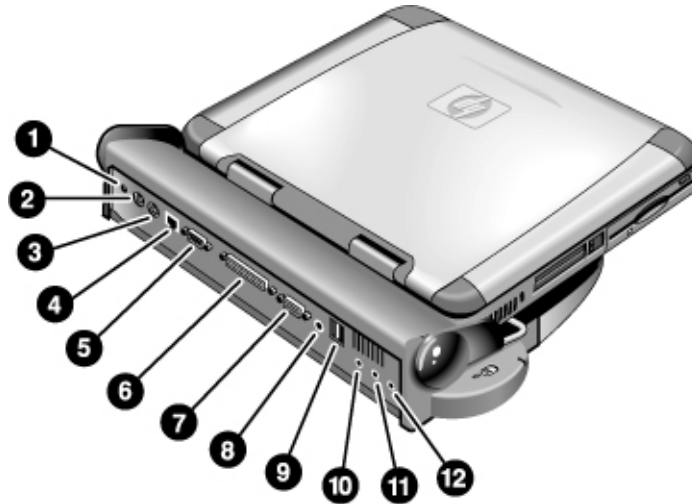
Making Connections  
**Connecting External Components**

**Notebook ports**



- 1 AC adapter jack
- 2 Serial port
- 3 VGA port (external monitor)
- 4 TV out
- 5 Microphone port
- 6 PS/2 port
- 7 Parallel port
- 8 Infrared port (**on selected models**)
- 9 USB ports

**Port replicator ports (on selected models)**



- |    |                              |
|----|------------------------------|
| 1  | AC adapter jack              |
| 2  | PS/2 mouse port              |
| 3  | PS/2 keyboard port           |
| 4  | LAN port (networking)        |
| 5  | Serial port                  |
| 6  | Parallel port                |
| 7  | VGA port (external monitor)  |
| 8  | TV out                       |
| 9  | USB ports (2)                |
| 10 | Audio in                     |
| 11 | Microphone port              |
| 12 | Audio out (external speaker) |

---

**To connect a printer (or another parallel device)**

The parallel port uses a standard 25-pin connector, most commonly used for connecting dot-matrix, ink-jet, and laser printers. You can also use it to connect a parallel Zip drive.

- Connect the parallel printer cable or other parallel cable to the parallel port of the computer or the port replicator.

## Making Connections

### Connecting External Components

---

**Note**

---

If you connect a Zip drive to the parallel port, you can enhance its performance by installing the accelerator software supplied with your Zip drive.

---

### To connect an external keyboard or PS/2 mouse

The 6-pin PS/2 port allows you to attach an external keyboard or a PS/2-compatible mouse to the computer. While an external PS/2 mouse is connected, the touch pad is normally disabled. The computer provides one PS/2 port; the optional port replicator provides two PS/2 ports.

- Plug the mouse or keyboard PS/2 cable into the PS/2 port on the computer, or plug either or both PS/2 cables into the PS/2 ports on the port replicator.
- To connect both a mouse and keyboard to the computer, use the PS/2 Y adapter, which is available separately.
- To connect a device that has a PC-type jack, first connect its cable to an adapter cable with a PS/2 jack.

---

**Note**

---

To use hot keys from an external keyboard, substitute Ctrl+Alt for the computer Fn key. Use the Ctrl and Alt keys on the left side of the keyboard. For example, to access Fn+F2 (increase display brightness), press Left Ctrl+Left Alt+F2.

---

### To connect a USB device

Universal serial bus (USB) provides a bidirectional serial interface for adding peripheral devices—such as game controllers, serial and parallel ports, and scanners—on a single bus. The computer provides two USB ports; the optional port replicator also provides two USB ports.

- Attach the USB cable to the USB port on the computer or to either USB port on the port replicator. Windows automatically recognizes the USB device.

Some USB devices can be connected to the computer in series—this is called a daisy-chain connection.

---

**Note**

---

If you have problems making this connection, contact the vendor of the peripheral device, as well as the HP website, for the latest versions of the USB drivers.

---



---

## To connect audio devices

There is a built-in microphone located just below the blue standby button. You can use it to record voice, sound, and music. You can also plug in an audio input source (such as a CD player or an external microphone) or an audio output device (such as external speakers or headphones).

- Attach the audio cable to the appropriate port—audio in, audio out, or microphone port on either the computer or the optional port replicator; see “To identify the ports”.

---

**Note**

When you plug a device into the microphone port, the built-in microphone automatically turns off. When you plug a device into the audio out port, the built-in speakers automatically turn off.

---

## To use infrared devices

**(Provided for selected models.)** You can communicate between your HP notebook PC and infrared (IR) devices without using cables.

### To enable the infrared port

---

**Note**

In the BIOS Setup utility, INFRARED COMMUNICATION IS BY DEFAULT DISABLED. BEFORE YOU USE YOUR INFRARED PORT TO TRANSFER FILES OR TO PRINT TO AN INFRARED PRINTER, YOU MUST ENABLE THE INFRARED PORT IN THE BIOS.

1. Reboot your computer.
2. When you see the HP logo, press F2.
3. Select the System Devices menu.
4. Set Infrared Port to Enabled.
5. Set Mode to FIR. When you enable IR communication, the IR mode selected by default is FIR (Fast Infrared).
6. If DMA channel conflicts with Parallel port DMA channel, change Parallel port Mode to EPP.
7. Save and Exit to continue reboot.
8. The IR hardware will be detected on the next boot into Windows and the appropriate drivers will be automatically installed.

## Making Connections

### Connecting External Components

#### To set up the infrared connection

Your notebook provides one IR port located on the rear panel. The IR port provides wireless, serial communication between your computer and other IR-equipped devices such as printers and other computers.

- Line up the notebook's IR port and the other IR port in as straight a line as possible. The two ports should be no more than one meter apart, with no obstructions in between. Noise from nearby equipment can cause transmission errors.
- To check the status of communications in Windows 98, go to Infrared Monitor. To check the status of communications in Windows 2000 and Windows ME, go to Wireless Link. You can find both under Start, Settings, Control Panel. If infrared communication is not enabled, you can enable it here; consult help in the application.

#### To print to an infrared printer

With Windows 2000 or Windows ME, when you align the IR ports of the computer and the printer, the appropriate drivers are loaded automatically. Follow the onscreen directions, and you can proceed to print.

With Windows 98, you must install the printer driver and assign it to the notebook's Infrared Printing (LPT) port, which is usually assigned to LPT3. Click Start, Settings, Printers, Add Printer, and follow the onscreen directions.

If you have already assigned a printer to the parallel port, you can assign the same printer to the infrared port by adding another printer. Windows will keep the same printer driver, and you can then also assign it to the infrared port.

You can print from your applications to an infrared printer in the same way as you would to a printer connected to the parallel port. Set the infrared printer as your default printer—or select it when you print from within the application. Be sure the computer and printer IR ports are properly aligned.

#### To transfer files with an infrared connection

To transfer files through the IR port, right-click on the name or icon of the file you want to transfer and click Send To, Infrared Recipient. In Windows 2000 and Windows ME, "Infrared Recipient" appears only when the computer is aligned with another IR device and detects it.

For higher-performance file transfer, you can also use the Direct Cable Connection software built into Windows 98, or the Wireless Link software built into Windows 2000 and Windows ME.

In Windows 98, you need to install the Direct Cable Connection software first:

1. From Control Panel, click Add/Remove Programs.
2. Click Windows Setup, Communications, and select Direct Cable Connection.

See the Windows online help for instructions about how to use Direct Cable Connection or Wireless Link.

---

## To use an external monitor

You can connect your computer to an external monitor and then use either display—or both displays at once.

### **To connect an external monitor**

1. Click Start, Shut Down, Shut down, OK.
2. Connect the monitor cable from the monitor to the VGA port on the rear of the computer or on the optional port replicator.
3. Connect the monitor to a power source and turn it on.
4. Slide the power switch to turn on the computer.

### **To switch the display to the external monitor**

- Close the computer lid.  
*OR*
- Press Fn+F5 (or Left Ctrl+Left Alt+F5 on an external keyboard) to cycle through the display options: notebook display, external monitor, both.

### **To adjust monitor resolution**

1. Click Start, Settings, Control Panel, Display.
2. On the Settings tab, adjust the Screen area.

### **To use dual display mode (Windows 98 and Windows ME)**

You can extend the desktop by connecting an external monitor to your notebook.

Dual display mode requires that your computer display be set as shown in the table below. Click Start, Settings, Control Panel, Display, Settings tab to adjust these settings.

## Making Connections

### Connecting External Components

<b>Notebook screen or Display</b>	<b>Screen area</b>	<b>Colors</b>
12-inch TFT or 13-inch HPA	800×600 pixels	256 colors or High Color (16 bit)
13-inch, 14-inch, or 15-inch	800x600 pixels or 1024×768 pixels	256 colors or High Color (16 bit) or True Color (24 bit)

1. Set your notebook display settings according to the table above. (The display settings do vary by model.)
2. Click the Start Button and select Shut down.
3. Connect the monitor cable from the monitor to the VGA port on the rear of the computer or the port replicator.
4. Connect the monitor to a power source and turn it on.
5. Slide the power switch to turn on the computer. Windows will detect the second monitor and attempt to load the proper display driver. Follow the onscreen instructions.
6. Click Start, Settings, Control Panel, Display, Settings tab. Position the second monitor to the right or left of your notebook display to match your monitor location.
7. Make sure that the Settings box “Extend my Windows desktop onto this monitor” is checked.

You can change the Screen area and Colors settings for the second monitor by selecting Display #2. These settings can be different from your notebook display settings.

---

### To use a TV set as monitor

You can connect your computer to a television set and then use it as a display. On some notebook PC models, the computer’s LCD display continues to be active when you use a TV set.

#### To connect a TV set

1. Connect a video cable (75 Ohm, with compatible RCA plugs) from the TV set to the TV output port on the rear of the computer or the port replicator. (You don’t need to turn the computer off.)

2. Connect an audio cable from the computer's headphone audio jack (using a 3.5mm or 1/8" stereo plug) to the left and right audio jacks (using two RCA plugs) on the TV set.
3. Connect the TV set to a power source and turn it on.

**To activate and adjust TV display**

- If you are running the DVD player, turn it off while you activate the TV display.
- Click the television icon in the system tray of the task bar, and select TV from the options list. The computer's display will change to 640x480.
- The TV options list includes selections to center the TV image and to adjust the position of the TV image.

**To make more advanced adjustments**

1. Click Start, Settings, Control Panel, Display.
2. Select Settings tab, click the Advanced button.
  - If you have Trident Video, select the Television tab. Here you can make further adjustments to the TV image.
  - If you have S3 Video, select the S3DuoVue tab and click TV to make further adjustments. If the TV option is grayed out, first reboot with the TV on and connected to the computer.
3. On some models, the TV Type for your country is automatically detected. (If it is incorrect, select the correct type on the Display Device tab: NTSC is used in North and South America, except for Argentina and Brazil; NTSC/Japan in Japan, South Korea, and Taiwan; and PAL in most other countries.)

On other models, it is necessary to change the Television Type in the Main menu of the BIOS Setup utility. To do this, reboot your computer and when you see the HP logo, press F2 to start the BIOS Setup utility.

**To disable TV**

*Different models of the notebook PC disable TV mode in different ways.*

To return the system to normal LCD display mode, click the television icon in the system tray and do one of the following, depending on your PC model:

- Click on LCD, or
- click the TV option to deselect it.

## Making Connections

### Connecting External Components

---

**Caution**

Selecting Exit from the monitor or display icon pop-up menu removes the icon from the system tray. If you do this, you can access the TV settings from the Control Panel as described in the above steps.

Restart the computer to restore the television icon.

---

### To use the port replicator

**(On models provided with a docking connector.)** With the optional port replicator, you can connect external components—and then avoid disconnecting and reconnecting them each time you take the computer on the road. You can find additional information about the port replicator in the manual that comes with it.

---

**Note**

The port replicator does *not* come with its own AC adapter. You use the AC adapter from the notebook PC to power the PC and the port replicator together.

---

### To connect to the port replicator

1. Plug in the AC adapter to house power, then connect it to the rear of the port replicator. Make sure that the AC status light is on.
2. Align the computer with the locator pins on the port replicator.



3. Press the computer down until it clicks into place. Make sure that the dock status light is on.
4. Open the computer and slide the power switch to the left to turn it on.  
After the computer is turned on, you can close the lid while it is running.

**To disconnect from the port replicator**

1. Press down on the release tab on the right side of the port replicator.



2. Lift the computer from the port replicator.





---

## Configuring and Expanding Your Computer

---

## Using the BIOS Setup Utility

The BIOS (Basic Input and Output System) Setup utility is a menu-driven utility that enables you to make changes to the system configuration and tailor the operation of your computer to your individual work needs.

The settings made in the BIOS Setup utility control the hardware and therefore have a fundamental effect on how the computer operates.

### **To run the BIOS Setup utility**

3. Shut down Windows and restart the computer (Click Start, Shut Down, Restart).
4. When you see the HP logo, press F2 to enter the BIOS Setup utility.
5. Select the options you want. You can find a complete list of available options in BIOS Setup utility options on page 126.
6. After you have finished making changes, press F10 (or select Exit, Saving Changes and Exit).
7. Press Enter to confirm and reboot the computer.

If the settings cause a conflict between devices during reboot, the system prompts you to run BIOS Setup, and the conflicting settings are marked.

The pointing devices are not active in the BIOS Setup utility. Press the Right and Left arrow keys to move from one menu to another. Press the Down and Up arrow keys to move among parameters in a menu. Press F5 or F6 to move through values for the current parameter or press Enter to change a setting.

### **To Boot from a Floppy Disk or CD-ROM**

---

**Note**

Your HP notebook is configured to boot from the hard drive first. If you want to boot from a floppy disk or a CD-ROM, change the boot order under the Boot menu in the BIOS Setup utility. You can also select the boot drive at startup by pressing Esc when you see the HP logo.

---

---

## Installing RAM modules

The notebook provides an optional memory expansion slot for installing up to two RAM expansion modules. Use HP SDRAM modules only; EDO RAM is not supported.

*Replace the RAM module with one of the same speed or faster: a PC133 socket can use either a PC100 or a PC133 module, but a PC100 socket can use only a PC100 module. Both the module and the motherboard's socket are marked either "PC100" or "PC133".*

---

### Note

If you are using Windows 98, you must expand the hibernate partition before installing more RAM. The hibernate partition (default size, 256MB) must be at least as large as the total RAM installed. (The hibernate partition is used to store the current Windows session before the system enters hibernation.)

See "Expanding the hibernate partition" on page 86. Expanding the hibernate partition will delete all the data on your hard drive, so be sure to back up your data first.

Following the partition expansion, you must reinstall Windows from the Recovery CD.

---

Your computer's computer chips are extremely static-sensitive. Static electricity can permanently damage computer chips. Carefully read the following caution information.

---

### CAUTION

**Handle the RAM module only by its three nonconnector edges. Otherwise, you may damage the module due to electrostatic discharge. Static electricity can permanently damage computer chips. It is therefore important to discharge the static electricity from your body before touching or installing the memory module. Discharge your body's electricity by touching the metal shielding around the connectors on the rear of the computer.**

---

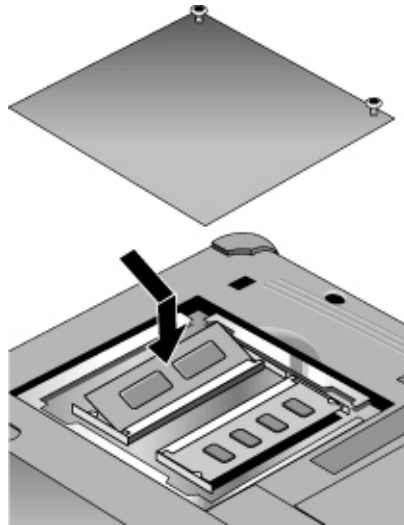
You'll need a small Phillips screwdriver to complete this procedure.

1. Click the Start Button and select Shut down.
2. Unplug the AC adapter and remove the battery.

## Configuring and Expanding Your Computer

### Installing RAM modules

3. Remove the RAM expansion cover located on the bottom of the computer, using a Phillips screwdriver.

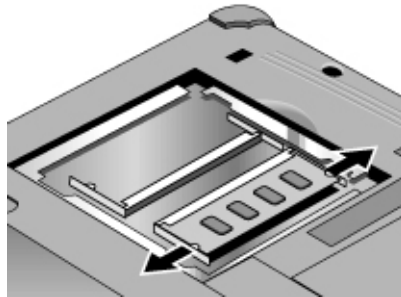


4. Insert the RAM expansion module into the connector at about a 30° angle until it's fully inserted. Then press down at both sides of the module until it latches. If the socket is marked "PC100", you can insert either a PC100 or a PC133 module. If the socket is marked "PC133", you must insert a PC133 module.
5. Replace the RAM expansion module door.
6. Insert the battery.

---

## Removing RAM modules

After you remove the RAM expansion cover:



1. Release the two latches at the sides of the RAM expansion module by pushing them gently outward (away from the sides of the module). When you release the latches, the free edge of the module pops up.
2. Pull the module out of the connector. Note the markings on the socket, so you can replace the module with a compatible module.
3. Replace the RAM expansion module door.

---

## Expanding the hibernate partition

You can create the hibernate partition by booting from the Recovery CD. The partitioning and recovery process takes approximately 10 to 15 minutes. Do not interrupt the process or unplug the AC adapter until the process is completed.

---

### CAUTION

**This procedure will format the hard disk drive and erase all data on the disk. Be sure to back up all data from your hard disk before you begin this procedure. After the hard disk drive is formatted, you'll need to reinstall any applications.**

1. Back up all data from your hard disk.
2. If you wish to install additional RAM, do so now.
3. Connect the AC adapter to the computer.
4. Insert the Recovery CD in the CD-ROM (or DVD) drive. (If your system came with two Recovery CDs, insert Disc 1.)
5. Restart the computer, and when you see the HP logo, press Esc.
6. Select CD-ROM/DVD Drive as the first boot device, and press Return to continue.
7. If you want to choose a nondefault partition size, click the Advanced button on the Recovery CD window, then select a size from the Hibernate Partition Size drop-down list. **Note:** In Windows 98, the size of the Hibernate Partition must *equal or exceed* the total memory (RAM) in your system.
8. If you want to create a hibernate partition without recovering the operating system, select the “Do not load operating system” checkbox and select one of the partition options.
9. Choose Continue.
10. Click OK to begin.  

If your system came with two Recovery CDs, you may be prompted to insert Disc 2 during the partitioning process.
11. When you are prompted to reboot your computer, remove the Recovery CD and press Ctrl+Alt+Delete.
12. Follow the onscreen instructions for setting up Windows.
13. When Windows setup is complete, reinstall any applications and restore backed-up data.

---

## Updating Windows Drivers

---

### To download the latest Windows drivers

Hewlett-Packard supports three operating systems (OSs) on your notebook—Windows 98, Windows ME and Windows 2000—and your computer was shipped with one of these OSs. If you decide to install the other OS instead, be sure to download the latest drivers for it from the Web at [www.hp.com/notebooks](http://www.hp.com/notebooks). You can also check this website to find updated drivers for your original OS.

---

### To use digitally signed drivers in Windows 98 and Windows ME

If you have chosen to enable driver signing in Windows 98 and Windows ME, you may need to obtain updated drivers for your notebook PC. During installation, Windows 98 and Windows ME expect each driver file to include a digital signature file (with a .cat extension) when driver signing is enabled. Since some files may not have been available at the time your computer was manufactured, it is possible that you will see a message prompting you for a digital signature file. If so, you need to obtain updated drivers, and when available they will be posted on the Web at [www.hp.com/notebooks](http://www.hp.com/notebooks).

Most users, however, choose to use the default Windows 98 and Windows ME configuration, which disables driver signing. In that case, you can ignore any messages prompting you for a digital signature file (with a .cat extension) during installation. The drivers will function correctly without these files, so you can skip their installation.





---

## Service and Support

---

## Hewlett-Packard Limited Warranty Statement

1. HP warrants to you, the end-user customer, that HP hardware, accessories, and supplies will be free from defects in materials and workmanship after the date of purchase, for the period specified in the Warranty Duration sheet included with your HP computer. HP Pavilion and XE Series Notebooks typically come with a standard one-year warranty. Please see your Warranty Duration sheet for more details. If HP receives notice of such defects during the warranty period, HP will, at its option, either repair or replace products which prove to be defective. Replacement products may be either new or equivalent in performance to new.
2. HP warrants to you that HP software will not fail to execute its programming instructions after the date of purchase, for the period specified in the Warranty Duration sheet included with your HP computer, due to defects in material and workmanship when properly installed and used. If HP receives notice of such defects during the warranty period, HP will replace software which does not execute its programming instructions due to such defects.
3. HP does not warrant that the operation of HP products will be uninterrupted or error free. If HP is unable, within a reasonable time, to repair or replace any product to a condition as warranted, you will be entitled to a refund of the purchase price upon prompt return of the product.
4. HP's limited warranty is valid in any country or locality where HP has a support presence for this product and where HP has marketed this product. The level of warranty service you receive may vary according to local standards. HP will not alter form, fit or function of the product to make it operate in a country for which it was never intended to function for legal or regulatory reasons.
5. Warranty does not apply to defects resulting from (a) improper or inadequate maintenance or calibration, (b) software, interfacing, parts, or supplies not supplied by HP, (c) unauthorized modification or misuse, (d) operation outside of the published environmental specifications for the product, or (e) improper site preparation or maintenance.
6. TO THE EXTENT ALLOWED BY LOCAL LAW, THE ABOVE WARRANTIES ARE EXCLUSIVE AND NO OTHER WARRANTY OR CONDITION, WHETHER WRITTEN OR ORAL, IS EXPRESSED OR IMPLIED AND HP SPECIFICALLY DISCLAIMS ANY IMPLIED WARRANTIES OR CONDITIONS OF MERCHANTABILITY, SATISFACTORY QUALITY, AND FITNESS FOR A PARTICULAR PURPOSE. Some countries, states or provinces do not allow limitations on the duration of an implied warranty, so the above limitation or exclusion might not apply to you. This warranty gives you

specific legal rights and you might also have other rights that vary from country to country, state to state, or province to province.

7. TO THE EXTENT ALLOWED BY LOCAL LAW, THE REMEDIES IN THIS WARRANTY STATEMENT ARE YOUR SOLE AND EXCLUSIVE REMEDIES. EXCEPT AS INDICATED ABOVE, IN NO EVENT WILL HP OR ITS SUPPLIERS BE LIABLE FOR LOSS OF DATA OR FOR DIRECT, SPECIAL, INCIDENTAL, CONSEQUENTIAL (INCLUDING LOST PROFIT OR DATA), OR OTHER DAMAGE, WHETHER BASED IN CONTRACT, TORT, OR OTHERWISE. Some countries, states or provinces do not allow the exclusion or limitation of incidental or consequential damages, so the above limitation or exclusion may not apply to you.

THE WARRANTY TERMS CONTAINED IN THIS STATEMENT, EXCEPT TO THE EXTENT LAWFULLY PERMITTED, DO NOT EXCLUDE, RESTRICT OR MODIFY AND ARE IN ADDITION TO THE MANDATORY STATUTORY RIGHTS APPLICABLE TO THE SALE OF THIS PRODUCT TO YOU.

---

## Getting Support for Your HP Notebook PC

HP offers a number of ways that you can get technical support for your computer. If you have questions or problems, here are the resources available to you:

- Look up information in this *Reference Guide*.
- Visit the HP notebook website.
- Use HP Instant Support on your notebook.
- Call HP support.
- Look up information in Microsoft Windows Help and the printed Windows manual.

---

### To use the *Reference Guide*

To locate information in the guide, use the Contents, Index, and Search tabs to look for information. The Contents tab lists the headings of all the topics in the guide. The Index tab provides an alphabetical list of the keywords in the guide; you can locate a keyword either by typing it in the box or by scrolling through the list. The Search tab allows you to find specific words and phrases.

---

### To get help from the HP notebook website

HP has a website on the Internet dedicated to HP notebook owners: [www.hp.com/notebooks](http://www.hp.com/notebooks). This website contains information about the various HP notebook models, warranties, support, and special promotions.

To get help with your computer at this website, click on Technical Support. In the technical support area, you will have access to:

- answers to frequently asked questions
- software, driver, and BIOS updates
- electronic manuals
- troubleshooting solutions
- self-help tools

- the basic services included with your warranty, as well as descriptions of enhanced and custom services
- latest support telephone numbers for HP products

### **To use HP Instant Support**

Available at no charge, HP Instant Support is a value-added service, featuring web-based automated diagnosis and resolution capabilities. It can be personalized to meet your business needs, delivering the support experience that works for you and accelerating the resolution of computing problems.

Choose either automated Self-Service, for online delivery of answers, or Smart Solutions, which utilizes Instant Support's "smart search" function. This intelligent tool allows you to describe problems in everyday language, then wizards you through a variety of user-friendly support options. Find more information about Instant Support on our external website at [www.hp.com/hps/instant/index.htm](http://www.hp.com/hps/instant/index.htm).

---

## **To call HP for Service and Support**

If you are unable to solve a problem with your computer, you can call the HP Customer Care Center. The Customer Care Center will assist you at no charge during the term of the warranty, for warranty-related questions; you are responsible only for cost of the telephone call. During the free assistance period, HP will assist with questions about:

- applications and operating systems included with your computer
- HP-described operation environments and conditions
- HP accessories, HP upgrades, and basic operation and troubleshooting

HP will not be able to help with questions about:

- non-HP hardware, software, operating systems, or usage not intended for—or not included by HP with—the product
- how to repair the product yourself
- product development or custom installations
- consulting

## Service and Support

### Getting Support for Your HP Notebook PC

To locate the Customer Care Center in your area, check the following table. HP Customer Care Centers will assist you for free during the term of the warranty; you are responsible only for the cost of the telephone call. Check the HP notebook website ([www.hp.com/notebooks](http://www.hp.com/notebooks)) for the most complete and current list of phone numbers.

If the HP notebook product is not normally sold and supported by HP in the country of use, the customer must call one of the supported HP Customer Care Centers located nearest the region. Currently, OmniBook XE3 and Pavilion notebook service and support assistance is only provided in the following countries:

#### Pavilion Series Notebooks

US & Canada Only – (970) 635-1000

#### OmniBook XE3 Series

##### **North America**

United States	+1 (970) 635-1000
Canada	+1 (905) 206-4663

##### **Latin America**

Mexico City	+52 58 9922
Mexico (outside Mexico City)	+52 01 800 472 6684

##### **Asia Pacific**

Australia	+61 (0)3 8877 8000
Hong Kong	+852 800 96 7729
Japan	+81 (0)3 3335 8333
Malaysia	+60 (0)3 295 2566
New Zealand	+64 (0)9 356 6640
People's Republic of China	+86 800 810 5959
Singapore	+65 272 5300
Taiwan	+886(2)2717 0055

##### **Europe**

Austria	+43 (0)7114 20 1080
Belgium (Dutch)	+32 (0)2 626 8806
Belgium (French)	+32 (0)2 626 8807
Czech Republic	+42 (0)2 6130 7310
Denmark	+45 39 29 4099
English (from outside UK)	+44 (0)207 512 52 02
Finland	+358 (0)203 47 288
France	+33 (0)1 43 62 34 34
Germany	+49 (0)180 52 58 143
Greece	+30 (0)1 619 64 11
Hungary	+36 (0)1 382 1111
Ireland	+353 (0)1 662 5525

Service and Support  
**Getting Support for Your HP Notebook PC**

Italy	+39 02 264 10350
Netherlands	+31 (0)20 606 8751
Norway	+47 22 11 6299
Poland	+48 22 519 06 00
Portugal	+351 21 317 6333
Russia (Moscow)	+7 095 797 3520
Russia (St. Petersburg)	+7 812 346 7997
Spain	+34 902 321 123
Sweden	+46 (0)8 619 2170
Switzerland	+41 (0)848 80 11 11
Turkey	+90 (0)212 221 69 69
United Kingdom	+44 (0)207 512 52 02
<b>Africa/Middle East</b>	
Israel	+972 (0)9 952 4848
Republic of South Africa	+27 (0)86-000-1030

---

## Obtaining Repair Service

---

### To receive warranty repair service

To receive warranty repair service for OmniBook XE3 and Pavilion Notebook Series, contact the appropriate HP Customer Care Center. Check “To call HP for Service and Support” on page 93 for the phone number.

Currently, HP Pavilion Notebook PC service is only provided in the United States.

The support technician will help qualify your unit for warranty repair, based on the warranty applicable to your unit and original purchase date, and will provide you with repair processes. If the HP notebook product is not normally sold and supported by HP in the country of use, it must be returned to a supported country for services. Warranty service may include the cost of shipping, handling, duties, taxes, freight, or fees to or from the service location.

### To repair your computer outside the warranty period

If your PC is no longer in the warranty period, contact the appropriate Customer Care Center. The HP support person will let you know about repair charges and processes.

---

### To prepare your computer for shipment

1. **Important.** Back up the contents of your hard disk drive to floppy disks, tape, or a network drive.

While your computer is being repaired, the hard disk may be replaced or reformatted.

2. Hewlett-Packard cannot guarantee the return of removable components. Please remove the following before you send your computer for service:
  - PC cards
  - AC adapter and power cord
  - CDs in the CD player
  - floppy disks in the floppy disk drive



3. When shipping your computer to Hewlett-Packard, please use the original product packaging or other substantial packaging in order to avoid damage in transit. Make sure to wrap at least 3 inches of protection around the unit and the courier will put it into one of their boxes.

HP recommends that you leave the hard disk drive in the computer when you send it for repair. When the computer is returned, you can restore your data from the backup you made. If you nevertheless want to remove the hard disk drive for this (or some other) reason, see “Removing and Reinstalling the Hard Disk Drive” on page 121.



---

## Solving Problems with Your Computer

---

## Troubleshooting Techniques

This section contains solutions to a few common problems and troubleshooting techniques for your HP notebook PC.

---

### Audio problems

#### **If sound is not audible**

- Press Fn+Up arrow several times.
- Click the speaker icon on the taskbar to ensure that Mute is not checked.
- When you are operating your computer in MS-DOS mode (for example, when running MS-DOS games), you may find that the sound does not operate properly. Use Windows applications for full use of sound capabilities.

#### **If sound does not record**

- Check software controls for recording sound: Click Start, Programs, Accessories, Multimedia (or Entertainment), Sound Recorder.

#### **If the PC card detection beep(s) at startup are very loud and volume cannot be adjusted**

- Download the latest audio driver from the technical support area of the HP notebook website [www.hp.com/notebooks](http://www.hp.com/notebooks).

You may also want to test the audio with diagnostics. See “Testing Hardware Operation.”

---

### CD-ROM drive problems

#### **If you can't boot from a CD in the CD-ROM drive**

- Make sure the CD is a bootable CD, such as the Recovery CD.
- If you always want to boot from a CD when one is present, check the boot order in BIOS Setup and change it.
  1. Click Start, Shut Down, Restart.

2. When you see the HP logo, press Esc to open the Boot menu. The default boot order is (1) Hard Drive, (2) Floppy Drive, and (3) CD-ROM/DVD Drive.
  3. Select CD-ROM/DVD Drive for first boot device.
  4. Exit the BIOS Setup utility.
- Reboot the computer.

You may also want to test the CD-ROM drive with diagnostics. See “Testing Hardware Operation.”

---

## Display problems

### **If the computer is on, but the screen is blank**

- Try pressing Fn+F2 or Fn+F4 to increase the brightness.
- Press Fn+F5 in case the internal display was disabled. (Do this three times to return to the state you started from.)
- If the computer is cold, allow it to warm up.

### **If the screen is difficult to read**

- Check whether the display resolution is set to its default setting—800×600 for 12" TFT and 13" HPA displays or 1024×768 for 13", 14", and 15" TFT displays.
  1. Click Start, Settings, Control Panel.
  2. Double-click Display.
  3. Click the Settings tab.

### **If part of the Windows desktop is not visible and you have to scroll down to see the taskbar**

- Your display resolution may be set to a higher resolution than your display is capable of showing.
  1. Click Start, Settings, Control Panel.
  2. Double-click Display.
  3. Click the Settings tab.
  4. Move the Screen area arrow to 800×600 pixels if you have a 12" display, 1024x768 if you have a 13", 14", or 15" display.
  5. Click OK.

## Solving Problems with Your Computer

### Troubleshooting Techniques

#### **If the Windows desktop does not fill the entire display and you have a black border surrounding the Windows desktop**

- Enlarge the screen area (Control Panel, Display, Settings tab, move arrow under Screen area);

#### **If an external display does not work**

- Check the connections.
- Press Fn+F5 in case the external monitor was disabled. (Do this three times to return to the state you started from.)
- The external monitor may not be detected. In the BIOS Setup utility, try setting Video Display Device to LCD/CRT in the Main menu.

You may also want to test the display with diagnostics. See “Testing Hardware Operation.”

---

## DVD problems

#### **If you can't boot from a CD or DVD in the DVD drive**

- Make sure the CD or DVD is bootable, such as the Recovery CD.
- If you always want to boot from a CD or DVD when one is present, check the boot order in BIOS Setup and change it.
  1. Click Start, Shut Down, Restart.
  2. When you see the HP logo, press Esc to open the Boot menu. The default boot order is (1) Hard Drive, (2) Floppy Drive, and (3) CD-ROM/DVD Drive.
  3. Select CD-ROM/DVD Drive for first boot device.
- Reboot the computer.

#### **If the DVD is playing erratically**

- Dirt or smudges can cause a disc to skip. Clean the disc with a soft cloth. If the disc is badly scratched, it will have to be replaced.
- Some DVDs come with additional software on them called “PC Friendly”. It is unnecessary to install this software due to the high quality of the DVD player in your notebook PC. With some movies this software may make the player unstable, causing errors or erratic play. If this occurs, uninstall the PC Friendly software, reboot your system, and attempt to play the movie again.

**If a DVD movie stops playing in the middle**

- The DVD may be double-sided. Open the DVD tray and read the text near the center hole of the disc. If it says Side A, flip the disc over, close the tray, and then press the Play button to continue playing the movie.
- You may have accidentally paused the DVD movie. Press the Play button to resume playing the movie.
- Several DVDs come with additional software on them called “PC Friendly”. With some movies this software may make the player unstable, causing errors or erratic play. If this occurs, uninstall the PC Friendly software, reboot your system, and attempt to play the movie again.

**If you get a Region Code error when playing a DVD movie**

- Most DVDs include regional codes that are embedded into the disc data. These codes prevent DVD movies from being played in regions of the world that are different from where they are sold. If you get a Region Code error, you are trying to play a DVD from a region that is different than the one your drive is currently set for. The region of your drive may be set a maximum of five times, after that the region becomes fixed. Since the region code is stored on your DVD drive, reinstalling the software or recovering your hard disk will not affect the region setting.
  1. To make a change to your region setting:
  2. Insert a DVD from the region you want set on your drive.
  3. Launch the DVD player software and select play.
  4. If the DVD is from a different region than your current drive setting, a message will come up asking if you wish to change the region. Follow the on-screen instructions to change the region.

**If you get a “System Error: Unable to read drive” message when running a CD program or a movie on the DVD drive**

- For a single-sided CD or DVD, make sure the disc is placed into the drive with the label facing up.
- Make sure the DVD or CD is clean.
- Make sure the DVD or CD has been snapped down onto the spindle.
- Wait 5 to 10 seconds after closing the DVD tray to give the computer sufficient time to recognize the CD or DVD.

## Solving Problems with Your Computer Troubleshooting Techniques

- Restart the system:
  1. Remove the CD or DVD.
  2. Click Start, Shut Down, Restart.
  3. Click OK.

### **If you get the error “Unable to create video window. Please try altering your display settings” when playing a movie on the DVD drive**

- If the notebook PC has only 4MB allocated to video, then it can play only in 16-bit color. You can change the display settings (Control Panel, Display, Settings tab), or change the video memory size (BIOS Setup, Main menu).

### **If the DVD movie doesn’t fill the screen**

- On a double-sided DVD, each side may have a different format (standard or widescreen). In the widescreen format, black bands appear at the top and bottom of the screen. To view the standard format, flip the disc over and play the other side.

You may also want to test the DVD drive with diagnostics. See “Testing Hardware Operation.”

---

## Hard disk drive problems

### **The hard drive’s capacity is not as large as its size**

- The hard disk drive is preconfigured to allocate some space to diagnostic software, which is used in support and service of your notebook PC. This part of the hard drive is unavailable for other uses, so it is not included in the capacity of the hard drive as reported by Windows (My Computer, Properties).

### **If the computer’s hard drive doesn’t spin**

- Make sure the computer has power. If necessary, connect the AC adapter, making sure it is plugged into a power source and into the rear of the computer.

### **If the hard disk makes a buzzing or whining noise**

- Back up the drive immediately.
- Check for alternate noise sources, such as the fan or a PC card drive.

### **If files are corrupted**

- Run the virus-scanning program.



- In Windows 98 or Windows ME, run the ScanDisk surface scan to check the platter (click Start, Programs, Accessories, System Tools, ScanDisk).
- In Windows 2000 or Windows ME, check your disk using error-checking (open My Computer, select the disk you want to scan, click File, click Properties, select the Tools tab, and click Check Now).

You may also want to test the hard disk drive with diagnostics. See “Testing Hardware Operation.”

---

## Heat problems

### **If the computer gets hot**

- Make sure the air vents are clear.
- See that the fan is working properly.
- The computer warms up with normal use. When you charge the battery, it gets even hotter; and certain applications (like DOS games) use more CPU power than others and so contribute to a greater temperature increase.

You may also want to test the fan with diagnostics. See “Testing Hardware Operation.”

---

## Keyboard, touch pad, and mouse problems

### **If the touch pad is difficult to control**

- Customize the touch pad by modifying Mouse properties.
  1. Click Start, Settings, Control Panel.
  2. Double-click Mouse.

### **If the pointing devices don't work**

- Don't touch the touch pad while booting or resuming.
- Reset the computer.

### **If an external mouse doesn't work**

- Standby or shut down the computer before you attach the mouse, to ensure that it will be detected properly.

If you want to go back to using the touch pad, you must standby or shut down the computer before you detach the mouse.

---

## Solving Problems with Your Computer Troubleshooting Techniques

### **If the embedded numeric keypad doesn't work**

- Make sure Num Lock is on—that you have pressed Fn+F8 to activate the numeric keypad and that you have pressed the Lock key to turn on number lock.
- Don't touch the touch pad while booting or resuming.

### **If a special feature on a PS/2 mouse doesn't work**

- Make sure you installed any drivers included with the mouse.
- Shut down and resume the computer, so that the system will detect the PS/2 mouse.

You may also want to test the keyboard and pointing devices with diagnostics. See “Testing Hardware Operation.”

---

**Note**

If you experience difficulty using internal and external pointing devices (touch pad and PS/2 mouse) together, check the BIOS settings, System Devices menu. See “Using the BIOS Setup Utility” on page 82.

---

## Memory problems

### **If a message says you are out of memory**

- In Windows Help and Support, search for Memory Troubleshooter.
- If you are having memory problems running MS-DOS programs, in Windows Help and Support search for MS-DOS Troubleshooter.

You may also want to test memory with the diagnostics. See “Testing Hardware Operation.”

---

## Modem problems

### **If the modem will not connect at 56K speed**

- The host modem may not support a 56K (V.90) connection speed.
- The speed at which you connect depends on several factors, such as the current condition of the telephone line. If you try connecting at another time, it's possible you may be able to connect at 56K.

**If the modem will not connect at any speed**

- Make sure the telephone line goes from the RJ-11 modem phone jack on the right side of the computer to the telephone jack on the wall.
- If you have a single telephone line for voice and modem use, make sure no one else is using the line and that the phone is not off the hook.
- Contact your Internet Service Provider (ISP). It's possible that service may be unavailable temporarily or that your settings are incorrect.
- Try restarting your computer and attempt another connection.
- Try an alternative dial-in number.
- Download the latest modem driver from the technical support area of the HP notebook website [www.hp.com/notebooks](http://www.hp.com/notebooks).
- In Windows 98 or Windows ME, run the modem diagnostics:
  1. Click Start, Settings, Control Panel.
  2. Double-click Modems.
  3. Click the Diagnostics tab.
  4. Click the port to which your modem is attached.
  5. Click More Info.
- In Windows 2000, run the modem diagnostics:
  1. Click Start, Settings, Control Panel.
  2. Double-click Phone and Modem Options.
  3. Click the Modems tab.
  4. Select the modem you want to test.
  5. Click Properties, Diagnostics, Query Modem.
- In Windows Help and Support, use the Modem Troubleshooter.

**If the modem connection is dropped when transferring large files**

- There may be static or interference on the phone line. Try connecting later.
- In Windows 98 or Windows ME, if a serial or PC card modem is not working, disable the internal modem.
  1. Click Start, Settings, Control Panel.

## Solving Problems with Your Computer Troubleshooting Techniques

2. Double-click System.
  3. Click the Device Manager tab.
  4. Double-click Modem to list the current modem devices.
  5. Double-click the internal modem.
  6. Select the checkbox “Disable in this hardware profile.”
- In Windows 2000, if a serial or PC card modem is not working, disable the internal modem.
    1. Click Start, Settings, Control Panel.
    2. Double-click Phone and Modem Options.
    3. Select the Modems tab.
    4. Select the internal modem.
    5. Click Remove.
    6. Click OK.

---

## One-Touch button problems

### **If One-Touch buttons are not working properly**

- Check that the applications associated with the buttons are the ones you want.
  1. Click Start, Settings, Control Panel.
  2. Double-click Keyboard.
  3. Select the One-Touch buttons tab.
  4. Click on the button of the key you want to reconfigure.
  5. Select the application or website you want associated with the button. (See “To configure a One-Touch button” for more details.)
  6. Click Done, then OK.

### **If the onscreen display does not appear when pressing a One-Touch button**

- Check that the Onscreen Display is enabled.
  1. Click Start, Settings, Control Panel.

2. Double-click Keyboard.
3. Select the One-Touch buttons tab.
4. Click Change Onscreen Display.
5. Check Enable if it is not checked.
6. Click Done, then OK.

---

## PC card problems

### **If the notebook doesn't recognize a PC card**

- Remove and reinsert the PC card.
- If the card requires an IRQ, check that there is one available. Look in Control Panel, System, Device Manager, Properties, Interrupt Request (IRQ) in Windows 98 or Windows ME. (In Windows 2000, look in Control Panel, Administrative Tools, Computer Management, System Information, Hardware Resources, IRQs.
- Check the HP notebook website for information about supported PC cards.
- Try the card in another computer.
- Reboot the computer.

### **If an I/O card stops communicating properly**

- The card may have been reset if the computer is on standby or turned off. Exit any applications, then remove and reinsert the card.

### **If a PC card modem is not working**

- In Windows 98 or Windows ME, disable the internal modem.
  1. Click Start, Settings, Control Panel.
  2. Double-click System.
  3. Click the Device Manager tab.
  4. Double-click Modem to list the current modem devices.
  5. Double-click the internal modem.
  6. Select the checkbox "Disable in this hardware profile."

## Solving Problems with Your Computer Troubleshooting Techniques

- In Windows 2000, disable the internal modem.
  1. Click Start, Settings, Control Panel.
  2. Double-click Phone and Modem Options.
  3. Select the Modems tab.
  4. Select the internal modem.
  5. Click Remove.
  6. Click OK.

You may also want to test the PC card with diagnostics. See “Testing Hardware Operation.”

---

## Performance problems

### **If the computer pauses or runs sluggishly**

- Press Ctrl+Alt+Del to see if an application is not responding.
  - Reboot the computer.
  - Delete temporary and unneeded files.
  - Certain background operations (such as virus-scanning software) can affect performance while they’re running.
  - Some file browsers may be unresponsive while they’re processing a graphic image or waiting for broken network connections to time out.
  - Install additional memory if Windows is spending a lot of time swapping to disk.
  - Check the amount of available free disk space.
- 

## Port replicator problems

### **If a port on a port replicator isn’t working**

- Check that AC power is connected.
  - While undocked, try using the corresponding notebook port.
  - See the manual for the port replicator.
-

## Power and battery problems

### **If the computer turns off immediately after it turns on**

- Battery power is probably extremely low. Plug in the AC adapter or insert a newly charged battery.

### **If the computer keeps beeping**

- The computer beeps for 15 seconds when the battery is low. Save your work, shut down Windows immediately, and insert a charged battery or plug in the AC adapter.

### **If the computer has a short operating time**

- Try conserving power by setting power timeouts to shorter periods. In Windows, you can adjust these settings in the Power Management (or Power Options) Properties window in Control Panel.
- If you are running any applications with an automatic save feature, such as MS Word for Windows, you can extend the save time or disable this feature to reduce hard disk access.
- If the operating time has become shorter and the battery is more than a year or two old, you may need to replace the battery.
- Set the display brightness to the lowest comfortable level.
- Heavy modem use can affect battery operating time.
- PC card use can affect battery operating time.

### **If the battery doesn't charge**

- Make sure the AC adapter is plugged into the power source and that the light on the adapter is on.
- If you're using a power strip, remove the AC adapter from the power strip and plug it directly into a wall outlet.
- Check that the battery is fully installed and locked in place.
- Turn off the computer, then check that the battery contacts are clean and that the AC adapter cables are fully plugged in.
- Move the computer away from any nearby heat source. Unplug the AC adapter and allow the battery to cool down. An elevated battery temperature prevents charging.

## Solving Problems with Your Computer Troubleshooting Techniques

- If another battery is available, try it.
- If another AC adapter is available, try it.

### **If the Time Remaining percentage for the battery is not correct**

- The Time Remaining value on the power (battery) icon is an estimate based on your current usage, not a precise value.

### **If the computer stops responding**

- Press Ctrl+Alt+Del to end the application that is not responding.
- Slide the power switch to the left, hold it for at least five seconds, and release it to turn off the computer. Then slide the power switch again to turn the computer back on.
- If nothing happens, insert a paper clip into the system-off button on the left side of the computer. Then slide the power switch to turn the computer on.

### **If the computer doesn't standby as expected**

- If you have a connection to another computer, the computer doesn't standby if the connection is actively in use.
- If the computer is performing an operation, it normally waits for the operation to finish.

You may also want to test the power management system with diagnostics. See “Testing Hardware Operation.”

---

## Printing problems

For most printing problems, use the Print Troubleshooter in Windows Help and Support.

### **If a serial or parallel printer doesn't print**

- Check that you are using a proper cable or cable adapter, and that the printer is on.
- Check for paper in the printer or other printer errors.
- Make sure the printer cable is securely attached at both ends.

### **If the left edge of printed output is missing**

- If the printer you are using is a 600-dpi (dots per inch) printer, try selecting a compatible printer driver for a 300-dpi printer. For example, for a 600-dpi HP LaserJet printer, try using the HP LaserJet IIIsi driver (300-dpi). Certain applications may not work properly with 600-dpi printers.



---

## Serial, parallel, and USB problems

---

**Note**

---

For serial and parallel port problems, be sure to check the settings in BIOS Setup: Restart the computer, then press F2 when you see the HP logo. This enters BIOS Setup. From the System Devices menu, check that the Serial Port or Parallel Port (as appropriate) is enabled.

**If a serial mouse doesn't work**

- First, make certain you completely followed the manufacturer's installation instructions to install the mouse properly.
- Check the port connection to see if it's loose.
- If you standby and resume, reboot the computer to reenable the mouse.

**If a serial modem doesn't work properly**

- In Windows Help and Support use the Modem Troubleshooter.
- Check the port connection to see if it's loose.
- In Windows 98 or Windows ME, disable the internal modem.
  1. Click Start, Settings, Control Panel.
  2. Double-click System.
  3. Click the Device Manager tab.
  4. Double-click Modem to list the current modem devices.
  5. Double-click the internal modem.
  6. Select the checkbox "Disable in this hardware profile."
- In Windows 2000, disable the internal modem.
  1. Click Start, Settings, Control Panel.
  2. Double-click Phone and Modem Options.
  3. Select the Modems tab.
  4. Select the internal modem.
  5. Click Remove.
  6. Click OK.

## Solving Problems with Your Computer Troubleshooting Techniques

### **If the serial or parallel port is not working**

- Check the port connection to see if it's loose.

### **If the USB port is not working**

- Contact the vendor of the peripheral device, or check the HP notebook website, for the latest versions of the USB drivers.

You may also want to test the ports with diagnostics. See “Testing Hardware Operation.”

---

## Startup problems

### **If the computer doesn't respond at turn-on**

- Connect the AC adapter.
- Slide the power switch to try turning on the unit.
- Use the system-off button to reset the computer.
- If you get no response, remove the battery and AC adapter, remove any PC cards, and undock the computer—then plug in the AC adapter and try resetting.
- If you still get no response, call HP for assistance.

### **If the computer doesn't boot from battery power**

- Make sure the battery is properly inserted and fully charged.
- Check battery contacts.
- If another battery is available, try it.

### **If the computer doesn't boot from the floppy disk drive**

- Check the boot order in the BIOS Setup utility.
  1. Click Start, Shut Down, Restart.
  2. When you see the HP logo, press F2 to start the BIOS Setup utility.
  3. Tab to the Boot menu. The default boot order is (1) Hard Drive, (2) Floppy Drive, and (3) CD-ROM/DVD Drive.
  4. Select Floppy Drive for first boot device.
  5. Exit the BIOS Setup utility.

## Standby and resume problems

### **If the computer takes a long time to resume after being on standby**

- In Windows, the computer can take a minute or longer to resume when a network card is installed. While the operating system is loading drivers and checking hardware and network connections, you will see a blinking cursor on your display. As soon as the hardware has been reinitialized, the Windows desktop will appear.

### **If the operating system hangs after you have gone on standby or resumed**

- Your system may hang if you dock or undock your notebook while you are in the process of going on standby or resuming the computer. Make sure your computer has completely finished going on standby or completely resumed before you dock or undock it.

---

## Testing Hardware Operation

The DiagTools program provides two levels of testing:

- Automated testing using the basic hardware test.
- Advanced testing using individual hardware tests.

The tests are designed to run after the system reboots. This ensures that the computer will be in a predictable state, so the diagnostic program can properly test the hardware components. The tests are nondestructive and are intended to preserve the state of the computer. The computer reboots when you exit the program, so that drivers can be loaded.

### **To run the diagnostic test**

1. Reboot the computer and, when you see the HP logo, press F10.
2. When you see the initial diagnostics screen, press F2 twice to continue.
3. When the hardware detection finishes, check the list of detected hardware.

If a device is not detected or fails its test, it may be configured incorrectly in the BIOS. You can confirm the problem by running BIOS Setup utility and checking the settings.

4. Press F2 twice to run the basic hardware test.
5. If you want to run additional hardware tests, press F2 twice. From the advanced test screen, select and run the appropriate tests. Tests are not listed if no such hardware is detected. Press the following keys to run tests:

Enter	Runs the highlighted test.
F5 or Space	Marks or unmarks the highlighted test.
F6	Marks or unmarks all tests in the current menu.
F7	Marks or unmarks all tests in all menus.

6. When you have finished running advanced tests, press Esc to exit.

7. If you want to view or save system and test information, press F4 repeatedly (twice if you are at the advanced test screen, three times from the basic test screen) to create a Support Ticket log file. (You will need a blank floppy disk to save the Support Ticket—or you can save it on the hard disk by following onscreen instructions.)
8. If you want to view the Support Ticket, press F7.
9. Press F3 twice to exit and reboot.

---

## Recovering and Reinstalling Software

You can use the Recovery CD to recover an original build. If you need to recover a specific application, you can reinstall the software directly from your hard drive; for instructions, see “To recover an application” on page 120.

The Recovery CD provides the HP notebook–specific Windows drivers to configure your custom system. You can find drivers:

- On the hard drive under `c:\hp\drivers`.
- On the Recovery CD, under `\hp\drivers`.
- On the HP notebook website at [www.hp.com/notebooks](http://www.hp.com/notebooks). This website contains the latest updates of software drivers for your computer.

---

### To recover the factory installation of your hard disk

The following procedure describes how to recover the original Windows software and operating system that came with your computer.

---

#### CAUTION

---

**This procedure will format the hard disk drive. After the hard disk drive is formatted, you’ll need to reinstall any applications. Reformatting the hard disk drive will erase all data on the disk.**

1. Back up all data from your hard disk.
2. Connect the AC adapter to the computer.
3. Insert the bootable Recovery CD in the CD-ROM drive.  
*If the computer is turned off, you must insert a straightened paper clip into the hole on the front of the drive in order to open it.*
4. Reboot and, when you see the HP logo, press Esc.
5. Select the CD-ROM drive as the first boot device and reboot.

You can find more details about recovering the factory installation of Windows on the Recovery CD: the file `readme.txt` is in the CD's root directory.

The recovery process can take about 10 or 15 minutes. *Do not interrupt the process or unplug the AC adapter until the process is completed.*

---

**Note**

---

Windows 98 supports the FAT16 and FAT32 file systems. Windows 2000 supports the FAT16, FAT32, and NTFS file systems. Windows ME supports the FAT32 file system.

---

## To replace a damaged Recovery CD

If you lose or damage the Recovery CD, call the HP Customer Care Center for information about replacing it. See “To call HP for Service and Support” for the phone number.

---

## To update the HP notebook BIOS

Hewlett-Packard may provide updates to the BIOS to enhance the capabilities of the computer. Updates will be available from HP Customer Care. Visit the technical support area of the HP notebook website at [www.hp.com/notebooks](http://www.hp.com/notebooks). Download the BIOS update and follow the instructions in the readme.txt file on how to create the BIOS update floppy disk.

---

**CAUTION**

---

**A BIOS update replaces the previous version, so it is important that you follow these instructions exactly. Otherwise, the computer may be damaged. The BIOS update process resets the configuration settings in the BIOS Setup utility, and it erases any BIOS passwords.**

1. Remove any PC cards.
2. If the notebook is docked, undock it.
3. Connect the AC adapter to the notebook.
4. Insert the BIOS update disk in the floppy disk drive.
5. Restart the computer.
6. Press Esc when you see the HP logo and select the floppy drive as the boot drive.
7. Follow the onscreen instructions. Once the update process begins, do not interrupt it.
8. When the process is completed, remove the BIOS update disk from the floppy disk drive and reboot the computer by pressing the system-off button on the left side of the notebook.

## Solving Problems with Your Computer

### Recovering and Reinstalling Software

---

**Note**

Your HP notebook is configured to boot from the hard drive first. If you want to boot from a floppy disk or a CD-ROM, change the boot order under the Boot menu in the BIOS Setup utility. You can also select the boot drive at startup by pressing Esc when you see the HP logo.

---

---

### To recover an application

If you remove an application from your hard disk and later decide you want it back, or if you accidentally delete application files, you can reinstall the original software. The setup programs for most of the applications that were factory-installed on your system are included on your hard drive in `c:\hp\programs`. Each application has its own folder that includes a file of instructions (`readme.txt`).

A few factory-installed applications do not have installation programs on the hard drive. If your computer came with one of these applications (for example, Microsoft Works, Microsoft Encarta, or Microsoft Money), you can reinstall it by using the appropriate CD-ROM.

---

**Note**

The Recovery CD restores all the software that was originally on your HP notebook PC, but the recovery program erases the hard drive in the process. Therefore, to reinstall specific applications, do not use the Recovery CD.

---



---

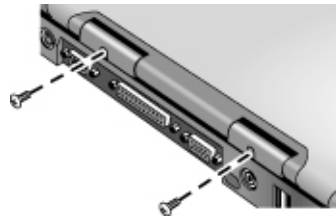
## Removing and Reinstalling the Hard Disk Drive

Removing the hard disk drive is not a simple task since, to improve stability, the drive is located in the middle of the computer. If you do need to remove it, HP recommends that you back up your data and allow a qualified service person to do it. If you decide to remove the drive yourself, follow these instructions carefully.

---

### If you decide to remove the hard disk drive

1. Shut down the computer, unplug the AC adapter, and remove the battery.
2. Close the display, and from the rear of the computer remove the two Phillips screws from the back of the plastic hinge covers.



3. Lean the display backward as far as possible, so that it is out of the way.

---

#### **CAUTION**

---

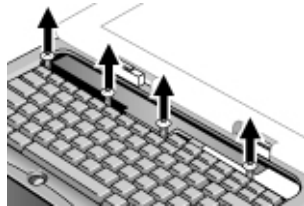
**Do not touch metal surfaces inside the computer until they have cooled off, especially if the computer has just been running.**

4. Carefully pry up the plastic cover above the keyboard at the hinges, using a flathead screwdriver, and remove it.



## Solving Problems with Your Computer Removing and Reinstalling the Hard Disk Drive

5. Unscrew the four Phillips screws at the top of the keyboard. (They remain attached to the keyboard.)

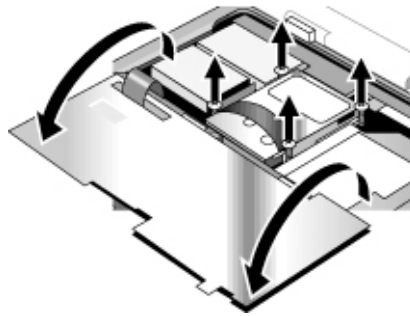


---

**WARNING**

**Handle the hard drive by its edges only, since static electricity can permanently damage computer parts. Before touching the interior of the computer, discharge static electricity by touching the metal shielding around the connectors on the rear of the computer.**

6. Slide the keyboard backward to detach it, then tilt it forward and turn it upside down. (Keep the keyboard cable attached.)



7. Unscrew the four Phillips screws from the sides of the hard disk drive case. (They remain attached to the case.)
8. Tilt up the rear of the hard disk drive case and, pulling gently by the strap, detach it from the connector and lift it out of the computer.



## To install the hard disk drive again

If you have removed the hard disk drive when you shipped the computer for service or for some other reason, here's how to install it again:

1. Unplug the AC adapter and remove the battery.
2. Close the display, and from the rear of the computer remove the two Phillips screws from the back of the plastic hinge covers.
3. Lean the display backward as far as possible, so that it is out of the way.
4. Carefully pry up the plastic cover above the keyboard at the hinges, using a flathead screwdriver, and remove it.
5. Unscrew the four Phillips screws at the top of the keyboard. (They remain attached to the keyboard.)
6. Slide the keyboard backward to detach it, then tilt it forward and turn it upside down. (Keep the keyboard cable attached.)
7. **Important.** Move the wires to the left of the drive location out of the way.
8. Tilt up the rear of the hard disk drive you want to install and—rocking it carefully side to side—push the drive forward into the connector.
9. Fasten the hard disk drive with the four attached Phillips screws in the sides of the case.
10. Tilt the keyboard back, slide the flanges on the front edge forward into the slots, and fasten the keyboard with the four attached Phillips screws at the top.
11. Replace the plastic first.
12. Hold both hinge covers and snap the plastic cover in place. If necessary, push downward at each end of the cover to secure it.
13. Close the display and replace the two screws at the rear of the hinge covers.
14. Insert the battery, connect the AC adapter, and press the reset button.
15. If necessary, restore the original Windows software and operating system with the Recovery CD.



---

## Specifications and Regulatory Information

---

## Hardware and Software Specifications

For the most up-to-date information on HP notebook PC specifications, go to the HP notebook website at [www.hp.com/notebooks](http://www.hp.com/notebooks).

---

### BIOS Setup utility options

The pointing devices are not active in the BIOS Setup utility. Press the Right and Left arrow keys to move from one menu to another. Press the Down and Up arrow keys to move among parameters in a menu. Press F5 or F6 to move through values for the current parameter or press Enter to change a setting. See the tables below for more information.

<b>Main Menu</b>		<b>Default</b>
BIOS Revision	Shows the current BIOS version.	Detected automatically.
System Time	Sets the time using 24-hour format. Values set take effect immediately.	
System Date	Sets the date using mm/dd/yyyy format.	
Floppy Drive	Sets the floppy drive type.	Detected and set automatically.
Internal Hard Disk	Sets the hard disk drive size. Note that the size of the drive is larger than the “capacity” of the drive reported by Windows. This is because the hard drive is preconfigured to reserve space for diagnostic software. This space is unavailable to the user.	Detected and set automatically.
Quiet Boot	When enabled, hides summary of power-on self-test and messages during boot.	Enabled

Specifications and Regulatory Information  
**Hardware and Software Specifications**

Video Display Device	Switches between sending video signals to both the built-in LCD display and an external CRT display (Both) and automatically switching to the external CRT if one is attached (Auto).	Auto
Video Expansion	When enabled, expands video image to cover entire LCD at lower resolutions. To expand everything, first decrease screen size in Control Panel, Display Settings before expanding video.	Disabled
Television Type	NTSC or PAL standard.	NTSC
System Memory	Shows the system memory size.	Detected automatically.
Extended Memory	Shows the extended memory size.	Detected automatically.
CPU Serial Number (on selected models)	When enabled, reports Intel CPU serial number to application software.	Enabled

**System Devices Menu**

**Default**

PS/2 Pointing Device	When an external PS/2 mouse is connected, enables internal pointing device also (Both) or disables it (External Only or Auto).	Auto
External Fn key	Enables or disables Left Ctrl+Left Alt on external keyboard to simulate notebook keyboard Fn key.	Enabled
IDE Controller (on selected models)	Configures local bus IDE controller to enable primary channel (Primary), primary and secondary channel (Both), or neither (Disabled).	Both
FDD Controller	Enables or disables floppy disk drive controller.	Enabled

Specifications and Regulatory Information  
**Hardware and Software Specifications**

Serial Port	Sets how the serial port is configured—by the user (Enabled), automatically (Auto), or inactive (Disabled).	Enabled
Base I/O address (on selected models)	Sets the I/O address and interrupt.	3F8 IRQ4
Infrared Port (selected models)	Sets how the infrared port is configured—by the user (Enabled), automatically (Auto), or inactive (Disabled).	Disabled
Mode	When IR port is enabled, sets the hardware to support SIR (Standard IR) or FIR (Fast IR) infrared communications.	FIR
Base I/O address	When IR port is enabled, sets the I/O address and interrupt.	2F8 IRQ3
DMA channel	When FIR mode is enabled, sets the DMA channel.	DMA 0
Parallel Port (on selected models)	Sets how the parallel port is configured—by the user (Enabled), automatically (Auto), or inactive (Disabled).	Enabled
Mode (selected models)	When parallel port is enabled, sets the port to Normal, Bi-directional, ECP, or EPP mode.	ECP
Base I/O address (selected models)	When EPP mode is not enabled, sets the I/O address.	378
Interrupt (selected models)	Sets the interrupt.	IRQ 7
DMA channel (selected models)	When ECP mode is enabled, sets the DMA channel.	DMA 3
LCD Status Panel Display	Enables or disables display of the status panel.	Enabled
LCD Status Panel Date Format	Set date format on the status panel.	mm/dd/yy (month/date/year)



Specifications and Regulatory Information  
**Hardware and Software Specifications**

LCD Status Panel Time Format	Set time format on the status panel.	HH:mm
------------------------------	--------------------------------------	-------

**Security Menu**

**Default**

User Password Is	Shows if a user password is set.	Clear
Supervisor Password Is	Shows if a supervisor password is set.	Clear
Set User Password	Sets, changes, or clears user password, after supervisor password is set. Password length can be no longer than 8 characters, 0-9, A-Z.	
Set Supervisor Password	Sets, changes, or clears supervisor password. This password protects BIOS Setup settings.	
Password Required to Boot	Sets whether a user password is required when the computer boots.	Enabled
Floppy Boot	Controls permission to boot system from floppy disk drive.	Enabled

**Power Menu (on selected models)**

**Default**

Intel SpeedStep Technology (Pentium III CPUs only)	Sets CPU high-speed/low-speed mode for AC and battery operation: boot at high speed with AC, otherwise low (Auto); no runtime support, boot at low speed (Disabled); boot at low speed (Battery Optimized); boot at high speed (Max. Performance); or boot at low speed with AC, otherwise high (Reversed).	Auto
Auto Turn-On on Dock	Enables or disables automatic system turn-on when computer is docked.	Enabled

**Boot Menu**

**Default**

	Indicates boot order of drives (change order with F5 and F6 keys).	Hard Drive Floppy Drive CD-ROM Drive
--	--------------------------------------------------------------------	--------------------------------------------

Specifications and Regulatory Information  
**Hardware and Software Specifications**

**Exit Menu**

Saving Changes and Exit	Saves Setup changes to CMOS, exits, and reboots.	
Discarding Changes and Exit	Discards Setup changes since last save, exits, and reboots. Does not affect security, date, or time changes.	
Get Default Values	Restores default settings, stays in Setup. Does not affect security, date, or time changes.	
Load Previous Values	Discards Setup changes since last save, stays in Setup. Does not affect security, date, or time changes.	
Save Changes	Saves Setup changes to CMOS and stays in Setup. Security settings are saved when changed.	

---

**Hardware specifications**

**Note**

Note: Technology codes identify different models of a notebook PC. These two-letter codes are found near the serial number on the bottom of the computer.

Dimensions	13.03"x10.72"x1.59" (331x272.3x40.5mm) for 12.1"–14.1" 13.46"x10.92"x1.65" (342x276.6x42.0mm) for 15"
Weight	6.5lbs (3.0kg) with 12.1" TFT LCD/Lilon battery/FDD/CD-ROM/64MB/HDD <i>Weight may vary due to components, manufacturing process, and options.</i>
CPU	Technology code GC: Intel PIII/Celeron uPGA2 with SpeedStep (PIII only), 100MHz FSB or Technology code GD: AMD Duron and Athlon, 200MHz FSB
Chip Set	Technology code GC: Intel 440ZXM-100 or Technology code GD: Ali M1647 + M1535
Main Memory	100MHz SDRAM (PC100) Maximum memory upgrade to 512MB by two 256MB SODIMM (144-pin/3.3V) modules in two 1.25" slots

Specifications and Regulatory Information  
**Hardware and Software Specifications**

Hard Disk Drive	9.5mm, 2.5" HDD PCI Bus Master Enhanced IDE Supports Ultra DMA/33 (some models) or Ultra DMA/66 (some models)
Floppy Disk Drive	12.7mm, 1.44MB (3-mode)
CD-DVD drive	12.7mm, 24X CD-ROM or 8X DVD or 24X-4X or 24X-8X CD-RW or 24X-4X-8X CD-RW/DVD combo drive
Display	800x600 SVGA TFT 12.1" LCD 800x600 SVGA HPA 13" LCD (in some models) 1024x768 XGA TFT 13.3" LCD 1024x768 XGA TFT 14.1" LCD 1024x768 XGA TFT 15" LCD 1400x1050 SXGA+ TFT 15" LCD
Video chip	S3 Savage/IX – Integrated 4MB or 8MB SGRAM or Trident CBXP + 8 MB video RAM
PCMCIA	TI 1420 (two slots) ACPI-PCI bus power management Supporting one type III or two type II sockets PCI power management compliant ACPI 2.0 compliant PCI local bus specification Rev. 2.2 compliant D3 cold state PME# wakeup support No ZV support
Keyboard	NS 87570 K/B controller – 87/88 keys (91 keys for Japan) with 101/102 key emulation – Supports Windows keys and Application key – Standard pitch, 3.0mm travel length – Spill-proof
Pointing Device	2-button design with on/off and scroll up/down buttons CCR enabled for Chinese localization only
Audio	ESS Allegro (1988) – Integrated AC'97 CODEC – HSP modem interface via MC'97 link – Supports wake up on ring. Modem CODEC ESS 2828 on mini-PCI slot
CD Player	OZ-163 controller on selected models Supports CD-play while system is off (selected models only)

**Specifications and Regulatory Information**  
**Hardware and Software Specifications**

Battery	<p>Lilon: 9 cells, 5400mAh/11.1V, 18650 size  Lilon: 6 cells, 3600mAh/11.1V, 18650 size  NiMH: 9 cells, 4000mAh/10.8V, 17670 size  Charging time: 2.2 hr (system off), 3 hr (system on)  Smart pack, SM bus  Usage time: approx. 2 to 3 hr. (Battery usage and recharging times vary based on many factors, including screen brightness, applications used, power management, battery conditions, and other features).</p>
AC Adapter	<p>F1454A 60W universal AC adapter (Delta/Astec)  90-264V AC, 47-63Hz  Constant power 49.5W</p>
I/O Ports	<p>Serial port: 9 pins (RS232), 16550 compatible  High-speed bidirectional parallel port: 25 pins, EPP/ECP capability  VGA port: 15 pins  PS/2: 6 pins, for keyboard, keypad or PS/2 mouse (Y adapter compatible)  Microphone-in, headphone-out jacks  Internal microphone  Docking port (on selected models): supports optional simple port replicator  One FIR port (on selected models)  Two USB ports  DC-in jack  Two Polk Audio stereo speakers  Composite TV-out</p>
Controls	<p>Power switch  Lid switch  System-off button (for resetting)  Sleep button  4 user-programmable One-Touch buttons  CD-Player on/off switch (on selected models)  CD-Player buttons (on selected models): Previous, Play/Pause, Stop/Eject, Next, Volume-Up, Volume-Down  Pad Lock touch pad on/off button  Scroll up/down toggle  Status panel mode button (selected models only)</p>

Specifications and Regulatory Information  
**Hardware and Software Specifications**

Status LEDs	<p>Caps/Num/Scroll lock LEDs (green)          Pad Lock touch pad on/off LED (amber)          Power status LED (dual color): power on green; standby amber          Battery charging LED: charging amber; fully charged green; abnormal red          HDD, FDD, CD-ROM activity LEDs (green)          LCD dot matrix display (with 2 backlight LEDs) (on selected models)          – When the unit is on, the display shows: power status, battery charging status, date, or time (on selected models)          – When the unit is off and in CD-Player mode, the display shows, in addition: sleep status, track number, and time elapsed (on selected models)          Backlight LEDs (green) for CD-Player buttons (on selected models)          CD-Player on/off LED (green) (on selected models)          2 LEDs on RJ-45 connector</p>
Options	<p>64/128/256MB PC-100 SODIMM: 3.3V, 144-pin, SDRAM          SPR (on selected models)          Mini-PCI modem, supporting Wake up on Ring# from D3 (cold) with AC-in          Mini-PCI modem/LAN combo, supporting Wake up on Ring# &amp; PME# from D3 (cold) with AC-in</p>
Mechanical	<p>Kensington lock          Continuously variable fan speed          Memory card easily configurable</p>
Simple Port Replicator	<p>Serial          Parallel          VGA          USB x2          TV-out          PS/2 x2          RJ-45          Audio line-in          Audio microphone-in          Audio headphone-out          DC-in (with AC adapter)          LEDs:          – SysON LED: green when system is on, off when the system is in standby or in save to disk.          – BATT Charge LED: amber when Batt in charging, green when fully charged, red for abnormal          Power on/off slide switch          Kensington lock</p>

**Specifications and Regulatory Information**  
**Hardware and Software Specifications**

Environment	Operating temperature: 0 to 40°C (32 to 104°F) Storage temperature: -20 to 65°C (-4 to 149°F) Operating humidity: 20% (10% on some models) to 90% RH (5 to 35°C) Operating shock: 60inch/sec, 2ms, half-sine Non-operating shock: 80inch/sec, 2ms, half-sine Operating vibration: 1.4G (5 to 500Hz) (some models: 1.0G) Non-operating vibration: 2.16G (5 to 500Hz) Hinge cycle life: 20,000 cycles Operating altitude: up to 3,000m (10,000 ft) Storage altitude: up to 12,000m (40,000 ft) MTBF 20,000 hr
Standards	PC99or PC2001 ACPI

---

**Software specifications**

Software	512KB flash BIOS ROM Standby to RAM/Disk Various hot keys for system control Password protection Autoconfiguration with Replicator PC99 ready Keyboard BIOS flashable ACPI 2.0b compatible Smart battery support Bootable devices; FDD, HDD, DVD, CD-ROM Win 98SE (ACPI mode), Win 2000 (ACPI mode), Win ME (ACPI mode)
Software Applications (Various models are configured with different combinations of software; not all software is available on all models.)	Adaptec Easy CD Creator software (for computers with CD-RW) Adobe Acrobat Reader HP TopTools for Notebooks McAfee VirusScan anti-virus software Software DVD player (for computers with DVD) Microsoft Money Microsoft Works MusicMatch Jukebox MP3 software One-Touch Button software QuickLink III fax software WildTangent 3D Game software
<p><i>For additional information about software included with your computer, check HP Notes. Click Start, Programs, HP Library; or double-click the HP Notes icon on the desktop.</i></p> <p><i>For Windows ME: Click Start, Help, Your HP Notebook, HP Notes.</i></p>	

---

## Software system resources

The tables in this section show typical resource usage as set up by the HP notebook BIOS. Plug-and-play operating systems, drivers, and BIOS setup settings may change some of the entries. To see other, nondefault possibilities, refer to the BIOS Setup utility, which lists port configurations in the System Devices menu.

### System Interrupts

0	System timer
1	Keyboard
2	Cascade from secondary interrupt controller
3	Free
4	COM1 (serial port)
5	Audio
6	Floppy disk drive
7	LPT1 (ECP parallel port)
8	Real-time clock
9	SCI
10	PCI IRQ (shared by all PCI devices)
11	PCI IRQ (shared by all PCI devices)
12	Touch pad, PS/2 mouse
13	Numeric coprocessor
14	Internal hard disk drive (primary IDE controller)
15	Internal CD-ROM drive (secondary IDE controller)

### System Memory

00000 - 9FFFF	System memory
A0000 - BFFFF	Video
C0000 - CFFFF	Video BIOS
D0000 - DBFFF	Free (valid uses: upper memory blocks (UMBs) or PC card memory windows)
DC000 - FFFFF	System BIOS

Specifications and Regulatory Information  
**Hardware and Software Specifications**

**System Input/Output Addresses (100-3FF)**

170-177	Internal CD-ROM drive (secondary IDE controller)
1F0-1F7	Internal hard disk drive (primary IDE controller)
220-22F	DOS games (FM decoding)
376	Internal CD-ROM drive (secondary IDE controller)
378-37F	LPT1 (printer port)
388-38B	DOS games (FM decoding)
3B0-3BB	VGA adapter
3C0-3DF	VGA adapter
3E0-3E1	PCMCIA controller
3F0-3F5	Floppy disk drive controller
3F6	Internal hard disk drive (primary IDE controller)
3F7	Floppy disk drive controller
3F8-3FF	COM1 (serial port)

**DMA Channels**

0	Free
1	Free
2	Floppy disk drive
3	LPT1 (ECP parallel port)
4	Cascade from secondary DMA controller
5	Free
6	Free
7	Free



## Modem Reference Information

If your computer has a built-in modem, you can customize the operation of the modem using AT commands and S-registers. You can do this from Modem (Windows 98 or Windows ME) or Phone and Modem Options (Windows 2000) in Control Panel, from most communications software, or by using terminal mode in your software. See “To change your modem settings” on page 61.

**Note**

You should have a good understanding of modems and how they operate before you change default settings.

This section contains summary information about AT commands, S-registers, and selected result codes for the built-in modem (with an Ambit chip), which is included with selected models of the HP notebook PC.

### AT Commands (Ambit)

In the following AT command table, default settings are shown in bold. All listed AT commands except A/ must be preceded by “AT.”

<b>Command</b>	<b>Function (Ambit)</b>
A/	Re-execute command (not preceded by AT)
A	Go off-hook and attempt to answer a call
B0	Select V.22 connect @1200 bps
B1	Select Bell 212A connect @1200 bps
C1	Return OK message
Dn	Dial modifier
E0	Turn off command echo
E1	Turn on command echo
H0	Initiate a hang-up sequence
H1	If on-hook, go off-hook and enter command mode
I0	Report product code
I1	Report pre-computed checksum
I2	Report “OK” if the calculated checksum equals the prestored checksum or if the prestored checksum value is FFh
I3	Report firmware revision, model, and interface type
I4	Report response programmed by OEM
I5	Report the country code parameter
I6	Report modem data pump model and code revision
I7	Report the DAA code
L0	Set low speaker volume
<b>L1</b>	Set low speaker volume
L2	Set medium speaker volume

Specifications and Regulatory Information  
**Modem Reference Information**

Command	Function (Ambit)
L3	Set high speaker volume
M0	Turn speaker off
<b>M1</b>	Turn speaker on during handshaking and turn speaker off while receiving carrier
M2	Turn speaker on during handshaking and while receiving carrier
M3	Turn speaker off during dialing and receiving carrier and turn speaker on during answering
N0	Turn off automode detection
<b>N1</b>	Turn on automode detection
O0	Go on-line
O1	Go on-line and initiate a retrain sequence
P	Force pulse dialing
<b>Q0</b>	Allow result codes to DTE
Q1	Inhibit result codes to DTE
Sn	Select S-Register n as default
Sn?	Return the value of S-Register n
Sn=v	Set default S-Register n to value v
T	Force DTMF dialing
V0	Report short form result codes
<b>V1</b>	Report long form result codes
<b>W0</b>	Report DTE speed only
W1	Report line speed, EC protocol and DTE speed
W2	Report DCE speed only
X0	Report basic call progress result codes, i.e., Ok, Connect, Ring, No Carrier (also, for busy, if enabled, and dial tone not detected), No Answer and Error
X1	Report basic call progress result codes and connections speeds (Ok, Connect, Ring, No Carrier (also, for busy, if enabled, and dial tone not detected), No Answer, Connect XXXX, and Error
X2	Report basic call progress result codes and connections speeds, i.e., Ok, Connect, Ring, No Carrier (also, for busy, if enabled, and dial tone not detected), No Answer, Connect XXXX, and Error
X3	Report basic call progress result codes and connections rate, i.e., Ok, Connect, Ring, No Carrier, No Answer, Connect XXXX, Busy, and Error
<b>X4</b>	Report all call progress result codes and connections rate, i.e., Ok, Connect, Ring, No Carrier, No Answer, Connect XXXX, Busy, No Dial Tone and Error
<b>Y0</b>	Disable long space disconnect before on-hook
Y1	Enable long space disconnect before on-hook
Z0	Restore stored profile 0 after warm reset
Z1	Soft reset and restore stored profile 1 after warm reset
&C0	Soft reset and force RLSD active regardless of the carrier state
<b>&amp;C1</b>	Allow RLSD to follow the carrier state
&D0	Interpret DTR On-to-OFF transition per &Qn &Q0, &Q5, &Q6: The modem ignores DTR &Q1, &Q4: The modem hangs up &Q2, &Q3: The modem hangs up
&D1	Interpret DTR On-to-OFF transition per &Qn &Q0, &Q1, &Q4, &Q5, &Q6: Asynchronous escape &Q2, &Q3: The modem hangs up
<b>&amp;D2</b>	Interpret DTR On-to-OFF transition per &Qn &Q0 through &Q6: The modem hangs up
&D3	Interpret DTR On-to-OFF transition per &Qn &Q0, &Q1, &Q4, &Q5, &Q6: Soft reset &Q2, &Q3: The modem hangs up

Specifications and Regulatory Information  
**Modem Reference Information**

<b>Command</b>	<b>Function (Ambit)</b>
&F0	Restore factory configuration 0
&F1	Restore factory configuration 1
&G0	Disable guard tone
&G1	Disable guard tone
&G2	Enable 1800 Hz guard tone
<b>&amp;J0</b>	Set S-Register response only for compatibility
&J1	Set S-Register response only for compatibility
&K0	Disable DTE/DCE flow control
&K3	Enable RTS/CTS DTE/DCE flow control
&K4	Enable XON/XOFF DTE/DCE flow control
&K5	Enable transparent XON/ XOFF low control
<b>&amp;K6</b>	Enable both RTS/CTS and XON/XOFF flow control
&L0	Select dial up line operation
&M0	Select direct asynchronous mode
&M1	Select sync connect with async off-line command mode
&M2	Select sync connect with async off-line command mode and enable DTR dialing of directory zero
&M3	Select sync connect with async off-line command mode and enable DTR to act as Talk/Data switch
<b>&amp;P0</b>	Set 10 pps pulse dial with 39%/61% make/break
&P1	Set 10 pps pulse dial with 33%/67% make/break
&P2	Set 20 pps pulse dial with 39%/61% make/break
&P3	Set 20 pps pulse dial with 33%/67% make/break
&Q0	Select direct asynchronous mode
&Q1	Select sync connect with async off-line command mode
&Q2	Select sync connect with async off-line command mode and enable DTR dialing of directory zero
&Q3	Select sync connect with async off-line command mode and enable DTR to act as Talk/Data switch
&Q4	Select Hayes AutoSync mode
<b>&amp;Q5</b>	Modem negotiates an error corrected link
&Q6	Select asynchronous operation in normal mode
&R0	CTS tracks RTS (sync) or CTS is normally ON and will turn OFF only if required by flow control (async)
&R1	CTS is always active (sync) or CTS is normally ON and will turn OFF only if required by flow control (async)
<b>&amp;S0</b>	DSR is always active
&S1	DSR will become active after answer tone has been detected and inactive after the carrier has been lost
&T0	Terminate any test in progress
&T1	Initiate local analog loopback
&T2	Returns ERROR result code
&T3	Initiate local digital loopback
&T4	Allow remote digital loopback (RDL)
<b>&amp;T5</b>	Disallow remote digital loopback request
&T6	Request an RDL without self-test
&T7	Request an RDL with self-test
&T6	Request an RDL without self-test
&T7	Request an RDL with self-test
&T8	Initiate local analog loop with self-test
&V	Display current configuration and stored profiles
&V1	Display last connection statistics
&W0	Store the current configuration as profile 0
&W1	Store the current configuration as profile 1
&X0	Select internal timing for the transmit clock
&X1	Select external timing for the transmit clock

Specifications and Regulatory Information  
**Modem Reference Information**

Command	Function (Ambit)
&X2	Select slave receive timing for the transmit clock
&Y0	Recall stored profile 0 upon power up
&Y1	Recall stored profile 1 upon power up
&Zn=x	Store dial string x (up to 34 digits) to location n (0 to 3)
%E0	Disable line quality monitor and auto retrain
%E1	Enable line quality monitor and auto retrain
%E2	Enable line quality monitor and fallback/fall forward
%L	Return received line signal level
%Q	Report the line signal quality
%TTn	PTT testing of signal level: 00-09=DTMF dial 0-9, 0A=DTMF *, 0B=DTMF #, 0C=DTMF A, 0D=DTMF B, 0E=DTMF C, 0F=DTMF D, 10=V.21 Channel 1mark symbol, 11=V.21 Channel 2mark symbol, 15=V.22 originate signaling at 1200bps, 16=V.22bis originate signaling at 2400bps, 17=V.22 answering signaling , 18=V.22bis answer signaling, 19=V.21 Channel 1space symbol, 1A=V.21 Channel 2 space symbol, 20=V.32 9600bps, 21=V.32bis 14400bps, 30=Silence, 31=V.25 answer tone, 32=1800Hz guard tone, 33=V.25 calling tone (1300Hz), 34=Fax calling tone (1100Hz), 40=V.21 channel 2, 41=V.27ter 2400bps, 42=V.27ter 4800bps, 43=V.29 7200bps, 44=V.29 9600bps, 45=V.17 7200bps long, 46=V.17 7200bps short, 47=V.17 9600bps long, 48=V.17 9600bps short, 49=V.17 12000bps long, 4A=V.17 12000bps short, 4B=V.17 14400bps long, 4C=V.17 14400bps short, 60=2400bps (V.34 only), 61=4800bps (V.34 only), 62=7200bps (V.34 only), 63=9600bps (V.34 only), 64=12000bps (V.34 only), 65=14400bps, 66=16800bps, 67=19200bps, 68=21600bps, 69=24000bps, 6A=26400bps, 6B=28800bps, 6C=31200bps, 6D=33600bps
<b>When modem receives a break from the DTE:</b>	
\K0,2,4	Enter on-line command mode, no break sent to the remote modem
\K1	Clear buffers and send break to remote modem
\K3	Send break to remote modem immediately
\K5	Send break to remote modem in sequence with transmitted data
<b>When modem receives \B in on-line command state:</b>	
\K0,1	Clear buffers and send break to remote modem
\K2,3	Send break to remote modem immediately
\K4,5	Send break to remote modem in sequence with transmitted data
<b>When modem receives break from the remote modem:</b>	
\K0,1	Clear data buffers and send break to DTE
\K2,3	Send a break immediately to DTE
\K4,5	Send a break with received data to the DTE
\N0	Select normal speed buffered mode
\N1	Select direct mode
\N2	Select reliable link mode
\N3	Select auto reliable mode
\N4	Force LAPM mode
\N5	Force MNP mode
\V0	Connect messages are controlled by the command settings X, W, and S95
\V1	Connect messages are displayed in the single line format
+MS=a,b,c,d	Select modulation (b, c, and d are optional) a is the mode (bps): 0=V.21 (300), 1=V.22 (1200), 2=V.22bis (2400, 1200), 3=V.23 (1200, 300), 9=V.32 (9600, 4800), 10=V.32bis (14400, 12000, 9600, 7200, 4800), 11=V.34 (33600, 31200, 28800, 26400, 24000, 21600, 19200, 16800, 14400, 12000, 9600, 7200, 4800, 2400), 17=X2, V.90 (57333-33333), 64=Bell 103 (300) b is autmode: 0=disabled, 1=enabled c is minimum rate (bps): 300-33600 d is maximum rate (bps): 300-33600
+H0	Disable Rockwell Protocol Interface (RPI)/Video ready mode

Specifications and Regulatory Information  
**Modem Reference Information**

Command	Function (Ambit)
+H1	Enable RPI and set DTE speed to 19200 bps
+H2	Enable RPI and set DTE speed to 38400 bps
+H3	Enable RPI and set DTE speed to 57600 bps
+H11	Enable RPI+ mode
+H16	Enable Video Ready mode
**0	Download to flash memory at last sensed speed
**1	Download to flash memory at 38.4 kbps
**2	Download to flash memory at 57.6 kbps
-SDR=0	Disable distinctive ring
-SDR=1	Enable distinctive ring type 1
-SDR=2	Enable distinctive ring type 2
-SDR=3	Enable distinctive ring type 1 and 2
-SDR=4	Enable distinctive ring type 3
-SDR=5	Enable distinctive ring type 1 and 3
-SDR=6	Enable distinctive ring type 2 and 3
-SDR=7	Enable distinctive ring type 1, 2 and 3

**ECC Commands**

%C0	Disable data compression
%C1	Enable MNP 5 data compression
%C2	Enable V.42 bis data compression
%C3	Enable both V.42 bis and MNP 5 compression
\A0	Set maximum block size in MNP to 64
\A1	Set maximum block size in MNP to 128
\A2	Set maximum block size in MNP to 192
\A3	Set maximum block size in MNP to 256
\Bn	Send break of n × 100 ms

**MNP 10 Commands**

-K0	Disable MNP 10 extended services
-K1	Enable MNP 10 extended services
-K2	Disable MNP 10 extended services detection only
-SEC=0	Disable MNP 10-EC
-SEC=1, [<tx level>]	Enable MNP 10-EC and set transmit level <tx level> 0 to 30 (0 dBm to -30 dBm)

**FAX Class 1**

+Fclass=1	Service class
+FAE=0	Disable data/fax auto answer
+FAE=1	Enable data/fax auto answer
+FRH=n	Receive data with HDLC framing
+FRM=n	Receive data
+FRS=n	Receive silence, n×10 ms
+FTH=n	Transmit data with HDLC framing
+FTM=n	Transmit data
+FTS=n	Stop transmission and wait, n×10 ms

**AT\* Commands**

*B	Display black-listed number
*Cn	Data calling tone selection

Specifications and Regulatory Information  
**Modem Reference Information**

Command	Function (Ambit)
*NCn	Select country parameters: 0=US, 1=Japan, 2=Germany, 3=UK, 4=France, 5=Netherlands, 6=Italy, 7=Australia, 8=Sweden, 9=Denmark, 10=New Zealand, 11=Korea, 12=China, 13=Singapore, 14=Malaysia, 15=South Africa, 16=Poland, 17=Czech Republic, 18=Hungary, 19=Hong Kong, 20=Turkey, 21=Spain.

---

**S-Registers (Ambit)**

Register	Function (Ambit)	Range/units	Default
S0	Rings to auto-answer	0-255/rings	0
S1	Ring counter	0-255/rings	0
S2	Escape character	0-255/ASCII	43
S3	Carriage return character	0-127/ASCII	13
S4	Line feed character	0-127/ASCII	10
S5	Backspace character	0-255/ASCII	8
S6	Wait time for dial tone	2-255/s	2
S7	Wait time for carrier	1-255/s	50
S8	Pause time for dial delay modifier	0-255/s	2
S9	Carrier detect response time	1-255/.1 s	6
S10	Carrier loss disconnect time	1-255/.1 s	14
S11	DTMF tone duration	50-255/.001 s	95
S12	Escape prompt delay	0-255/.02 s	50
S14	General bit mapped options status		138 (8Ah)
S16	Test mode bit mapped options status (&T)		0
S18	Test timer	0-255/s	0
S19	AutoSync options		0
S20	AutoSync HDLC address or BSC Sync character	0-255	0
S21	V.24/general bit mapped options status		52 (34h)
S22	Speaker/results bit mapped options status		117 (75h)
S23	General bit mapped options status		62 (3Dh)
S24	Sleep inactivity timer	0-255/s	0
S25	Delay to DTR off	0-255/s or .01s	5
S26	RTS-to-CTS delay	0-255/.01 s	1
S27	General bit mapped options status		73 (49h)
S28	General bit mapped options status		0
S29	Flash dial modifier time	0-255/10 ms	70
S30	Disconnect inactivity timer	0-255/10 s	0
S31	General bit mapped options status		194 (C2h)
S32	XON character	0-255/ASCII	17 (11h)
S33	XOFF character	0-255/ASCII	19 (13h)
S36	LAPM failure control		7
S37	Line connection speed		0
S38	Delay before forced hangup	0-255/s	20
S39	Flow control bit mapped options status		3
S40	General bit mapped options status		104 (68h)
S41	General bit mapped options status		195(C3h)
S46	Data compression control		138
S48	V.42 negotiation control		7

Specifications and Regulatory Information  
**Modem Reference Information**

Register	Function (Ambit)	Range/units	Default
S82	LAPM break control		128 (40h)
S86	Call failure reason code		0-255
S91	PSTN transmit attenuation level	0-15/dBm	10 (country dependent)
S92	Fax transmit attenuation level	0-15/dBm	10 (country dependent)
S95	Result code messages control		0

---

Selected Result Codes (Ambit)

Code	Meaning
0	OK
1	CONNECT
2	RING
3	NO CARRIER
4	ERROR
5	CONNECT 1200
6	NO DIAL TONE
7	BUSY
8	NO ANSWER

---

## Safety Information

---

### Power Cords

The power cord supplied with the notebook AC adapter should match the plug and voltage requirements for your local area. Regulatory approval for the AC adapter has been obtained using the power cord for the local area. However, if you travel to a different area and need to connect to a different outlet or voltage, you should use one of the power cords listed below. To purchase a power cord (including one for a country not listed below) or a replacement AC adapter, contact your local Hewlett-Packard dealer or sales office.

<b>Country</b>	<b>Rated Voltage and Current</b>	<b>HP Part Number</b>
Canada Mexico Philippines Taiwan United States	125 Vac (3 A)	8120-6313
Europe Egypt Israel Saudi Arabia	250 Vac (2.5 A)	8120-6314
Hong Kong Singapore United Kingdom	250 Vac (2.5 A)	8120-8699
Australia New Zealand	250 Vac (2.5 A)	8120-6312
Japan	125 Vac (3 A)	8120-6316
India South Africa	250 Vac (2.5 A)	8120-6317
People's Republic of China	250 Vac (2.5 A)	8120-8373



---

## Battery Safety

---

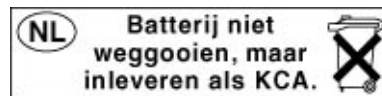
### Note

The following batteries are compatible only with selected HP notebook computers:

- HP F2109/NiMH
- HP F2024A/LiIon 9-cell
- HP F2193/LiIon 6-cell

While your computer may be shipped with any of these batteries, only the HP F2024A/LiIon 9-cell battery is available as a replacement after purchasing your notebook.

- To avoid risk of fire, burns, or damage to your battery pack, do not allow a metal object to touch the battery contacts.
- The battery pack is suitable for use only with compatible HP notebook models. Check the “Support and Service” section of this *Reference Guide* for your local HP contact.
- Do not disassemble. There are no serviceable parts inside. Do not dispose of the battery pack in fire or water.
- Handle a damaged or leaking battery with extreme care. If you come in contact with the electrolyte, wash the exposed area with soap and water. If it contacts the eye, flush the eye with water for 15 minutes and seek medical attention.
- Do not expose the battery pack to high storage temperatures, above 60° C (140° F).
- When discarding a battery pack, contact your local waste disposal provider regarding local restrictions on the disposal or recycling of batteries.
- To obtain a replacement battery, contact your local dealer or HP sales office.
- Do not charge the battery pack if the ambient temperature exceeds 45° C (113° F).
- When discarding a battery pack, contact your local waste disposal provider regarding local restrictions on the disposal or recycling of batteries.



## Laser Safety

The CD-ROM and DVD drives used with the HP notebook PC are certified as Class 1 laser devices according to the U.S. Department of Health and Human Services (DHHS) Radiation Performance Standard and International Standards IEC 825 / IEC 825-1 (EN60825 / EN60825-1). These devices are not considered harmful, but the following precautions are recommended:

- Ensure proper use by reading and following the instructions carefully.
- If the unit requires service, contact an authorized HP representative—see the “Support and Service” section of this *Reference Guide*.
- Do not attempt to make any adjustment of the unit.
- Avoid direct exposure to the laser beam—do not disassemble the drive.

CLASS 1 LASER PRODUCT

LASER KLASSE 1

---

## LED Safety

The infrared port located on the back panel of the notebook is classified as a Class 1 LED (light-emitting diode) device according to International Standard IEC 825-1 (EN60825-1). This device is not considered harmful, but the following precautions are recommended:

- If the unit requires service, contact an authorized HP service center—see the “Support and Service” section of this *Reference Guide*.
- Do not attempt to make any adjustment of the unit.
- Avoid direct eye exposure to the infrared LED beam. Be aware that the beam is invisible light and cannot be seen.
- Do not attempt to view the infrared LED beam with any type of optical device.

CLASS 1 LED PRODUCT

LEDSCHÜTZKLASSE 1 PRODUKT

---

---

## Regulatory Information

This section presents information that shows how the HP notebook PC complies with regulations in certain regions. Any modifications to the computer not expressly approved by Hewlett-Packard could void the authority to operate the HP notebook PC in these regions.

---

### U.S.A.

The HP notebook PC generates and uses radio frequency energy and may interfere with radio and television reception. The HP notebook PC complies with the limits for a Class B computing device as specified in Part 15 of FCC Rules, which provide reasonable protection against such interference in a residential installation. In the unlikely event that there is interference to radio or television reception (which can be determined by removing the unit's batteries and AC adapter), try the following:

- reorienting or relocating the receiving antenna
- relocating the computer with respect to the receiver
- connecting the computer's AC adapter to another power outlet

#### **Connections to Peripheral Devices**

To maintain compliance with FCC Rules and Regulations, use properly shielded cables with this device.

For more information, consult your dealer, an experienced radio/television technician, or the following booklet, prepared by the Federal Communications Commission: *How to Identify and Resolve Radio-TV Interference Problems*. This booklet is available from the U.S. Government Printing Office, Washington, DC 20402, Stock Number 004-000-00345-4. At the first printing of this manual, the telephone number was (202) 512-1800.

## Specifications and Regulatory Information

### Regulatory Information

#### Declaration of Conformity (U.S.A.)

**Responsible Party:** Hewlett-Packard Company  
Manager of Corporate Product Regulations  
3000 Hanover Street  
Palo Alto, CA 94304, U.S.A.  
+1 (650) 857-1501

declares that the product

**Trade name:** Hewlett-Packard Company  
**Product name:** Notebook PC  
**Model Number(s):** OmniBook XE3, Pavilion N5D series, Pavilion XHD series Notebook PC  
(D is any digit 0–9)

complies with Part 15 of the FCC Rules.

Operation is subject to the following two conditions:

1. This device may not cause harmful interference, and
2. This device must accept any interference received, including interference that may cause undesired operation.

---

## Canada

This digital apparatus does not exceed the Class B limits for radio noise emissions from digital apparatus as set out in the radio interference regulations of the Canadian Department of Communications.

Le présent appareil numérique n'émet pas de bruits radioélectriques dépassant les limites applicables aux appareils numériques de Classe B prescrites dans le règlement sur le brouillage radioélectrique édicté par le Ministère des Communications du Canada.

---

## European Union

The equipment has been approved in accordance with Council Decision 98/482/EC for pan-European single terminal connection to the public switched telephone network (PSTN). However, due to differences between the individual PSTNs provided in different countries, the approval does not, of itself, give an unconditional assurance of successful operation on every PSTN network termination point.

In event of problems, you should contact your equipment supplier in the first instance.

This equipment has been designed to work in all of the countries of the European Economic Area (Public Switched Telephone Networks). Network compatibility is dependent on internal software settings. Contact your equipment supplier if it is necessary to use the equipment on a different telephone network. For further product support, contact Hewlett-Packard at the phone numbers provided in your *Reference Guide*.

---

## Japan

この装置は、情報処理装置等電波障害自主規制協議会（VCCI）の基準に基づくクラスB情報技術装置です。この装置は、家庭環境で使用することを目的としていますが、この装置がラジオやテレビジョン受信機に近接して使用されると受信障害を引き起こすことがあります。  
取り扱い説明書に従って正しい取り扱いをして下さい。

### Japan Telecommunications Approval

JATE approval number: A00-0143JP, A00-0434JP

Name of Equipment: T18M038.00, T18N040.00

---

## Russia

Продукт сертифицирован в системе ГОСТ Р

Модем сертифицирован в системе ЭЛЕКТРОСВЯЗЬ



---

## International

This product incorporates copyright protection technology that is protected by method claims of certain U.S. patents and other intellectual property rights owned by Macrovision Corporation and other rights owners. Use of this copyright protection technology must be authorized by Macrovision Corporation and is intended for home and other limited viewing uses only unless otherwise authorized by Macrovision Corporation. Reverse engineering or disassembly is prohibited.

Products sold internationally by Hewlett-Packard and its authorized dealers meet the specifications listed on the following pages.

Specifications and Regulatory Information  
**Regulatory Information**

**Declaration of Conformity (according to ISO/IEC Guide 22 and EN 45014)**

**Manufacturer's Name:** Hewlett-Packard Company  
**Manufacturer's Address:** Hewlett-Packard Company  
Mobile Computing Division  
19310 Pruneridge Ave.  
Cupertino, CA 95014, U.S.A.

declares that the following product

**Product Name:** HP notebook PC  
**Model Numbers:** OmniBook XE3, Pavilion N5D series, Pavilion XHD series Notebook PC (*D* is any digit 0-9)  
**Product Options:** All

conforms to the following product specifications

**Safety:** IEC 950: 1991 +A1,A2,A3,A4 / EN 60950: 1992 +A1,A2,A3,A4,A11  
IEC 60825-1: 1993 +A1/EN60825-1: 1994 +A11 Class 1 (LED)  
GB4943-1995

**EMC:** CISPR 22: 1993 +A1,A2 / EN 55022: 1994 +A1,1995 +A2: 1997, Class B [1]  
EN 61000-3-2:1995 +A1: 1998 +A2: 1998 / EN 61000-3-3:1995  
GB9254-1988, FCC Title 47 CFR, Part 15 Class B/ANSI C63.4: 1992  
AS/NZS 3548: 1995 Rules and Regulations of Class B  
EN50082-1: 1997  
EN 61000-4-2: 1995: 4kV CD, 8kV AD, EN 61000-4-3: 1995: 3V/m  
EN 61000-4-4: 1995: 0.5kV Signal Lines, 1kV Power Lines  
EN 61000-4-5: 1995, EN 61000-4-6: 1996, EN 61000-4-11: 1994, ENV 50204: 1995

**Telecom:** TBR 21: 1998, EG 201 121: 1998

**Supplementary Information:** The product herewith complies with the requirements of the Low Voltage Directive 73/23/EEC and the EMC Directive 89/336/EEC, amended by 92/31/EEC & 93/68/EEC, and the R&TTE Directive 1999/5/EC (Annex II) and carries the CE marking accordingly.

[1] The product was tested in a typical configuration with Hewlett-Packard Personal Computer peripherals.

This device complies with Part 15 of the FCC Rules. Operation is subject to the following two conditions: (1) this device may not cause harmful interference, and (2) this device must accept any interference received, including interference that may cause undesired operation.

The HP F1454A and F1781A ac/dc adapter used with this product is designed to operate on all power systems, other than IT power systems.

Corvallis, OR, January 04,  
2001



  
Jerry Erickson, R&D Product Execution Manager

European Contact for regulatory topics only: Hewlett Packard GmbH, HQ-TRE, Herrenberger Straße 130, 71034 Boeblingen, Germany. Fax: +49 7031 143143).  
USA Contact: Hewlett Packard Co., Corporate Product Regulations Manager, 3000 Hanover Street, Palo Alto, CA 94304, U.S.A. Phone: +1 (415) 857-1501.

# Index

## A

- AC adapter
  - connecting, 20
  - location, 14
- accessories, 10
- ACPI, 48
- address, HP website, 11
- ALT GR key, 30
- AOL, 61, 62
  - as your ISP, 60
- AOL, connecting to, 60
- Applications key, 29
- applications, recovering, 120
- AT commands, 62, 137
- audio
  - connecting devices, 73
  - troubleshooting, 100
- auto/airline adapter, 10

## B

- battery
  - best use of, 45
  - installing, 19
  - latch location, 15
  - location, 15
  - low power warning, 54
  - operating time, optimizing, 54
  - recharging, 19
  - safety, 145
  - status, 53
  - status light, 16
  - troubleshooting, 111
- BIOS
  - setup utility, 82
  - updating, 92, 119
- bottom view, 15

## C

- cable security lock, 39
- Caps lock status light, 16
- CD-ROM
  - access light, 16
  - drive location, 12
  - troubleshooting, 100
- CD-ROM drive
  - inserting CD, 35
  - removing CD, 35
- CD-RW

- access light, 16
  - drive location, 12
- CD-RW drive, 36
  - playing movies, 36
- cleaning the notebook, 45
- click buttons location, 12
- computer support, 92
- configuring
  - BIOS, 82
  - modem, 61
- connecting
  - audio devices, 73
  - external monitor, 75
  - infrared device, 74
  - LAN, 66
  - modem, 59
  - parallel device, 71
  - TV set, 76
  - USB device, 72
- copyrights, 2

## D

- data protection, 44
- devices (external)
  - infrared, 74
  - parallel, 71
  - USB, 72
- diagnostic testing, 116
- dial-in network connection, 61
- digitally signed drivers, 87
- display
  - activating external, 75
  - adjusting, 30
  - dual display, 75
  - extending life, 44
  - external, 75
  - troubleshooting, 101
  - TV set, 76
- docking connector location, 15
- drivers
  - digital signing, 87
  - downloading, 87
  - updating, 92
- DVD
  - access light, 16
  - drive location, 12
  - troubleshooting, 102
- DVD drive
  - playing movies, 36

## E

- eject button, PC cards, 14
- e-mail, 62
- embedded keypad, 30
- ergonomics, 41
- error-checking, 44
- external components
  - connecting, 69
  - keyboard, 72
  - monitor, 75
  - mouse, 72

## F

- factory installation, 118
- faxes
  - receiving (Windows 2000), 65
  - receiving (Windows 98 and Windows ME), 64
  - sending (Windows 2000), 65
  - sending (Windows 98), 63
- files, infrared transfer of, 74
- floppy disk drive
  - access light, 16
  - location, 14
- Fn key, 28
- front view, 13

## H

- hard disk drive
  - access light, 16
  - installation, 123
  - location, 15
  - protecting, 43
  - removal, 121
  - size, 126
  - troubleshooting, 104
- hardware
  - specifications, 130
  - testing, 116
- headphone jack location, 13
- heat, troubleshooting, 105
- hibernate, 51
- hibernate partition, creating, 86
- hot keys, 28
- HP Customer Care telephone numbers, 94
- HP notebook website, 92
- HP Notes, 11

- HP warranty, 90
- I
- infrared
  - enabling, 73
  - port connection, 74
  - port location, 14
  - printers, 74
  - setting up, 74
  - transferring files, 74
- inserting
  - CD, 35
- inserting PC card, 67
- installing hard disk drive, 123
- Internet
  - connecting to, 60
  - disconnecting from, 61
- Internet Explorer, 58, 60
- Internet Service Provider, 24, 58
- inventory, 10
- ISP, 24
- K
- Kensington lock, 39
- Kensington lock slot location, 14
- keyboard
  - non-U.S., 30
  - troubleshooting, 105
- keypad, 30
- L
- LAN
  - connecting to, 66
  - port indicator lights, 66
  - port location, 12
- laser safety, 146
- latch location, 13
- LED safety, 146
- license agreement, 3
- lights, LAN port, 66
- lock, cable security, 39
- M
- memory, troubleshooting, 106
- microphone
  - jack location, 14
  - location, 12
- MiniTel, 59
- modem
  - AT commands, 62, 137
  - built-in, 21
  - connecting, 59
  - connecting to Internet with, 60
  - dial-in connection, 61
  - faxing with (Windows 2000), 64
  - faxing with (Windows 98 and Windows ME), 63
  - port location, 12
  - sending e-mail with, 62
  - settings, 61
  - software, 58
  - speed, 58
  - troubleshooting, 106
- monitor
  - external, 75
  - resolution, 75
- mouse
  - settings, 33
  - troubleshooting, 105
- movies (DVD), 36
- multimedia buttons
  - location, 13
- N
- network
  - connecting to, 66
  - dialing in to, 61
  - resuming connection, 68
- notebook
  - bottom view, 15
  - caring for, 43
  - cleaning, 45
  - front view, 13
  - ports, 70
  - rear and left view, 14
  - support, 92
  - top and right view, 12
- Num lock
  - status light, 16
  - using, 30
- O
- on/off switch
  - location, 12
  - using, 21
- One-Touch buttons
  - location, 12
  - troubleshooting, 108
- Outlook Express, 58, 62
- P
- Pad Lock button location, 12
- parallel device, connecting, 71
- parallel port
  - location, 14
  - troubleshooting, 113
- password, 37
- PC card
  - inserting, 67
  - removing, 67
  - saving power, 54
  - slot location, 14
  - troubleshooting, 109
  - using, 67
- performance troubleshooting, 110
- phone line, connecting, 21
- plug requirements, 144
- pointing device
  - customizing, 33
  - location, 12
  - using, 32
- port replicator
  - connecting to, 78
  - disconnecting from, 79
  - ports, 71
  - troubleshooting, 110
- ports
  - notebook, 70
  - port replicator, 71
- power
  - connecting AC, 20
  - processor speed, 55
  - resetting, 25
  - saving, 54
  - standby, 50
  - status light, 16
  - switch location, 12
  - troubleshooting, 111
  - using power switch, 18
- power cords, 144
- power management, 48
  - automated, 48
  - manual, 50
  - setting properties, 50, 52
- printing
  - compatible printers, 71
  - infrared, 74
  - parallel connection, 71
  - troubleshooting, 112
- processor speed, 55
- PS/2
  - connecting device, 72
  - port location, 14
  - Y-adapter, 11
- Q
- Quick Start* sheet, 11
- QuickLink, 58, 63



- R
- RAM, installing, 83
  - rear and left view, 14
  - receiving faxes (Windows 2000), 65
  - receiving faxes (Windows 98), 64
  - recovering
    - applications, 120
    - hard disk, 118
    - software, 118
  - Recovery CD
    - using, 118
  - registering computer, 23
  - regulatory information, 147
  - removing
    - CD, 35
    - hard disk drive, 121
    - PC card, 67
  - repair
    - service, 96
    - shipment, 96
  - resetting computer, 25
  - resume, 18
  - resume, troubleshooting, 115
- S
- safety
    - battery, 145
    - laser, 146
    - LED, 146
    - power, 144
    - voltage, 144
  - ScanDisk, 44
  - scroll lock status light, 16
  - scroll toggle location, 12
  - security cable, 39
  - security connector location, 14
  - sending faxes (Windows 2000), 65
  - sending faxes (Windows 98), 63
  - serial port
    - conserving power, 55
    - location, 14
    - troubleshooting, 113
  - setting up, 19
  - shutting down, 50
  - software, 10
    - license, 3
    - recovering, 120
    - specifications, 134
    - system specifications, 135
    - updates, 92
  - specifications
    - hardware, 130
    - software, 134
    - software system, 135
  - SpeedStep, 55
  - standby, 18, 50
    - button location, 12
    - troubleshooting, 115
    - using button, 18
  - Startup Guide*, 11
  - startup, troubleshooting, 114
  - status lights
    - battery, 53
    - location, 12, 16
    - power, 21
  - status panel, 17
    - location, 13
  - support, 92
    - telephone, 93
  - system-off button
    - location, 14
    - resetting, 25
- T
- technology codes, 130
  - telephone
    - numbers, 94
    - support, 93
  - testing hardware, 116
  - TimTel, 59
  - top and right view, 12
  - touch pad, 44
    - configuring, 33
    - location, 12
    - settings, 33
    - troubleshooting, 105
    - using, 32
  - troubleshooting, 100
    - audio, 100
    - battery, 111
    - CD-ROM drive, 100
    - display, 101
    - DVD drive, 102
    - hard disk drive, 104
    - heat, 105
    - keyboard, 105
    - memory, 106
    - modem, 106
    - mouse, 105
    - One-Touch buttons, 108
    - parallel port, 113
    - PC card, 109
    - performance, 110
    - port replicator, 110
    - power, 111
    - printing, 112
    - resume, 115
    - serial port, 113
    - standby, 115
    - startup, 114
    - touch pad, 105
    - USB port, 113
    - turning off, 50
    - turning on, 18, 21, 50
    - TV
      - port location, 14
    - TV set, 76
    - typing special characters, 30
- U
- USB
    - connecting device, 72
    - port location, 14
    - troubleshooting, 113
- V
- ventilation, 43
  - VGA port location, 14
  - views of computer
    - bottom, 15
    - front, 13
    - rear and left, 14
    - top and right, 12
  - virus protection, 40
  - voltage requirements, 144
  - volume, adjusting, 31
- W
- warranty, 90
    - repair, 96
  - website, 11
  - Windows
    - downloading drivers, 87
    - key, 29
    - manual, 11
    - password, 37
    - setting up, 22
  - wireless communication, 74
  - work environment, 41
  - working in comfort, 41