

---

HP Notebook PC

**————** Startup Guide

---

## Notice

This manual and any examples contained herein are provided “as is” and are subject to change without notice. Hewlett-Packard Company makes no warranty of any kind with regard to this manual, including, but not limited to, the implied warranties of merchantability and fitness for a particular purpose. Hewlett-Packard Co. shall not be liable for any errors or for incidental or consequential damages in connection with the furnishing, performance, or use of this manual or the examples herein.

Consumer transactions in Australia and the United Kingdom: The above disclaimers and limitations shall not apply to Consumer transactions in Australia and the United Kingdom and shall not affect the statutory rights of Consumers.

© Copyright Hewlett-Packard Company 2000–2001. All rights reserved. Reproduction, adaptation, or translation of this manual is prohibited without prior written permission of Hewlett-Packard Company, except as allowed under the copyright laws.

The programs that control this product are copyrighted and all rights are reserved. Reproduction, adaptation, or translation of those programs without prior written permission of Hewlett-Packard Co. is also prohibited.

Portions of the programs that control this product may also be copyrighted by Microsoft Corporation, Phoenix Technologies, Ltd., ESS, Accton, Trident Microsystems Incorporated, Acer Laboratories Incorporated, and Adobe Systems Incorporated. See the individual programs for additional copyright notices.

This product incorporates copyright protection technology that is protected by method claims of certain U.S. patents and other intellectual property rights owned by Macrovision Corporation and other rights owners. Use of this copyright protection technology must be authorized by Macrovision Corporation and is intended for home and other limited viewing uses only unless otherwise authorized by Macrovision Corporation. Reverse engineering or disassembly is prohibited.

Microsoft®, MS-DOS®, and Windows® are U.S. registered trademarks of Microsoft Corporation. TrackPoint™ is a U.S. trademark of International Business Machines. Adobe® and Acrobat® are trademarks of Adobe Systems Incorporated.

**Hewlett-Packard Company**  
**HP Notebook Customer Care**  
**1000 NE Circle Blvd., MS 425E**  
**Corvallis, OR 97330, U.S.A.**

---

## HP Software Product License Agreement

Your HP product contains software programs. CAREFULLY READ THIS LICENSE AGREEMENT BEFORE PROCEEDING TO OPERATE THIS EQUIPMENT. RIGHTS IN THE SOFTWARE ARE OFFERED ONLY ON THE CONDITION THAT THE CUSTOMER AGREES TO ALL TERMS AND CONDITIONS OF THE LICENSE AGREEMENT. PROCEEDING TO OPERATE THE EQUIPMENT INDICATES YOUR ACCEPTANCE OF THESE TERMS AND CONDITIONS. IF YOU DO NOT AGREE WITH THE TERMS OF THE LICENSE AGREEMENT, YOU MUST NOW EITHER REMOVE THE SOFTWARE FROM YOUR HARD DISK DRIVE AND DESTROY THE MASTER DISKETTES, OR RETURN THE COMPLETE HP PRODUCT AND SOFTWARE FOR A FULL REFUND. PROCEEDING WITH CONFIGURATION SIGNIFIES YOUR ACCEPTANCE OF THE LICENSE TERMS.

UNLESS OTHERWISE STATED BELOW, THIS HP SOFTWARE LICENSE AGREEMENT SHALL GOVERN THE USE OF ALL SOFTWARE THAT IS PROVIDED TO YOU AS PART OF THE HP PRODUCT AND SHALL SUPERSEDE ANY OTHER SOFTWARE WARRANTY STATEMENT THAT MAY BE INCLUDED IN THIS HP PRODUCT OR MAY BE FOUND ONLINE.

Operating system and software applications by Microsoft are licensed to you under the Microsoft License Agreement contained in the Microsoft documentation or displayed on your screen when Microsoft Software Products are launched. Other non-HP Software and Operating Systems are covered by the appropriate vendor license. The following License Terms govern the use of the HP software:

USE. Customer may use the software on any one HP product. Customer may not network the software or otherwise use it on more than one HP product. Customer may not reverse assemble or decompile the software unless authorized by law.

COPIES AND ADAPTATIONS. Customer may make copies or adaptations of the software a) for archival purposes or (b) when copying or adaptation is an essential step in the use of the software with an HP product so long as the copies and adaptations are used in no other manner.

OWNERSHIP. Customer agrees that he/she does not have any title or ownership of the software, other than ownership of the physical media. Customer acknowledges and agrees that the software is copyrighted and protected under the copyright laws. Customer acknowledges and agrees that the software may have been developed by a third party software supplier named in the copyright notices included with the software, who shall be authorized to hold the Customer responsible for any copyright infringement or violation of this Agreement.

PRODUCT RECOVERY CD-ROM. If your HP product was shipped with a product recovery CD-ROM: (i) The product recovery CD-ROM and/or support utility software may only be used for restoring the hard disk of the HP product with which the product recovery CD-ROM was originally provided. (ii) The use of any operating system software by Microsoft contained in any such product recovery CD-ROM shall be governed by the Microsoft License Agreement.

TRANSFER OF RIGHTS IN SOFTWARE. Customer may transfer rights in the software to a third party only as part of the transfer of all rights and only if Customer obtains the prior agreement of the third party to be bound by the terms of this License Agreement. Upon such a transfer, Customer agrees that his/her rights in the software are terminated and that he/she will either destroy his/her copies and adaptations or deliver them to the third party.

SUBLICENSING AND DISTRIBUTION. Customer may not lease, sublicense the software or distribute copies or adaptations of the software to the public in physical media or by telecommunication without the prior written consent of Hewlett-Packard.

TERMINATION. Hewlett-Packard may terminate this software license for failure to comply with any of these terms provided Hewlett-Packard has requested Customer to cure the failure and Customer has failed to do so within thirty (30) days of such notice.

UPDATES AND UPGRADES. Customer agrees that the software does not include updates and upgrades which may be available from Hewlett-Packard under a separate support agreement.

EXPORT CLAUSE. Customer agrees not to export or re-export the software or any copy or adaptation in violation of the U.S. Export Administration regulations or other applicable regulation.

U.S. GOVERNMENT RESTRICTED RIGHTS. Use, duplication, or disclosure is subject to HP standard commercial license terms and for non-DOD Departments and Agencies of the U.S. Government, the restrictions set forth in FAR 52.227-19(c)(1-2) (June 1987) Hewlett-Packard Company, 3000 Hanover Street, Palo Alto, CA 94304 U.S.A. Copyright (c) 2000–2001 Hewlett-Packard Company. All Rights Reserved. Customer further agrees that Software is delivered and licensed as “Commercial computer software” as defined in DFARS 252-227-7014 (June 1995) or as a “commercial item” as defined in FAR 2.101(a), or as “Restricted computer software” as defined in FAR 52.227-19 (or any equivalent agency regulation or contract clause), whichever is applicable. The Customer agrees that it has only those rights provided for such Software by the applicable FAR or DFARS clause or the HP standard software agreement for the product involved.

Support Policy for Support Pack of Operating Systems. HP provides end user support for HP PCs that use Microsoft Operating Systems, including its latest service packs. This support will be available within 30 days of the software being released.

---

## Edition History

|                 |              |
|-----------------|--------------|
| Edition 1 ..... | October 2000 |
| Edition 2 ..... | January 2001 |
| Edition 3 ..... | August 2001  |



This manual is printed on recycled paper.



---

## Contents

|  |           |
|--|-----------|
| <b>Introducing Your Computer</b> .....               | <b>9</b>  |
| Taking Inventory .....                               | 10        |
| To find more information .....                       | 10        |
| Identifying Parts of the Notebook .....              | 11        |
| Top and right side view .....                        | 11        |
| Front view .....                                     | 12        |
| Rear and left side view .....                        | 13        |
| Bottom view .....                                    | 14        |
| Status lights .....                                  | 15        |
| Setting Up the Computer .....                        | 16        |
| To install the battery .....                         | 16        |
| To connect AC power .....                            | 17        |
| To connect a phone line .....                        | 18        |
| To turn on the computer .....                        | 19        |
| To set up Windows .....                              | 19        |
| To register your computer .....                      | 20        |
| To reset your computer .....                         | 21        |
| <br>   |           |
| <b>Using Your Computer</b> .....                     | <b>23</b> |
| Operating the Computer .....                         | 24        |
| To use the Fn hot keys .....                         | 24        |
| To use the touch pad .....                           | 24        |
| Working in Comfort with a Notebook PC .....          | 26        |
| <br>   |           |
| <b>Traveling with Your Computer</b> .....            | <b>29</b> |
| Managing Power Consumption .....                     | 30        |
| To use manual power management .....                 | 30        |
| Using Battery Power .....                            | 32        |
| To check the battery status .....                    | 32        |
| To respond to a low-battery warning .....            | 33        |
| <br>   |           |
| <b>Configuring and Expanding Your Computer</b> ..... | <b>35</b> |
| Installing RAM Modules .....                         | 36        |
| Removing RAM Modules .....                           | 37        |
| <br>   |           |
| <b>Service and Support</b> .....                     | <b>39</b> |
| Hewlett-Packard Limited Warranty Statement .....     | 40        |
| Getting Support for Your HP Notebook PC .....        | 42        |
| To use the <i>Reference Guide</i> .....              | 42        |

|   |           |
|---|-----------|
| To get help from the HP notebook web site .....             | 42        |
| To call HP for service and support .....                    | 43        |
| Obtaining Repair Service .....                              | 46        |
| To receive warranty repair service .....                    | 46        |
| To prepare your computer for shipment .....                 | 47        |
| <b>Solving Problems with Your Computer .....</b>            | <b>49</b> |
| Troubleshooting Techniques .....                            | 50        |
| Display problems .....                                      | 50        |
| Hard disk drive problems .....                              | 50        |
| Keyboard, touch pad, and mouse problems .....               | 51        |
| Performance problems .....                                  | 51        |
| Power and battery problems .....                            | 52        |
| Startup problems .....                                      | 53        |
| Testing Hardware Operation .....                            | 54        |
| Recovering and Reinstalling Software .....                  | 56        |
| To recover the factory installation of your hard disk ..... | 56        |
| <b>Specifications and Regulatory Information .....</b>      | <b>59</b> |
| Hardware and BIOS Specifications .....                      | 60        |
| Safety Information .....                                    | 61        |
| Power cords .....   | 61        |
| Battery safety .....  | 62        |
| Laser safety .....  | 63        |
| Regulatory Information .....                                | 64        |
| U.S.A. ....   | 64        |
| Canada .....  | 65        |
| European Union .....  | 66        |
| Japan .....   | 67        |
| Russia .....  | 67        |
| International .....   | 67        |
| <b>Index .....</b>  | <b>69</b> |



---

## Introducing Your Computer

---

## Taking Inventory

Your HP notebook PC is shipped with these items:

- battery
- AC adapter and power cord
- *Quick Start* sheet
- HP notebook PC *Startup Guide*
- *Recovery CD* (or CDs), used to restore Windows and all software included with your computer
- Microsoft Windows manual
- telephone cord (if your computer has a built-in modem)

In addition, your HP notebook includes preinstalled software. (The exact software installed depends on your particular notebook model.)

---

### To find more information

Here are some sources of information about your HP notebook PC.

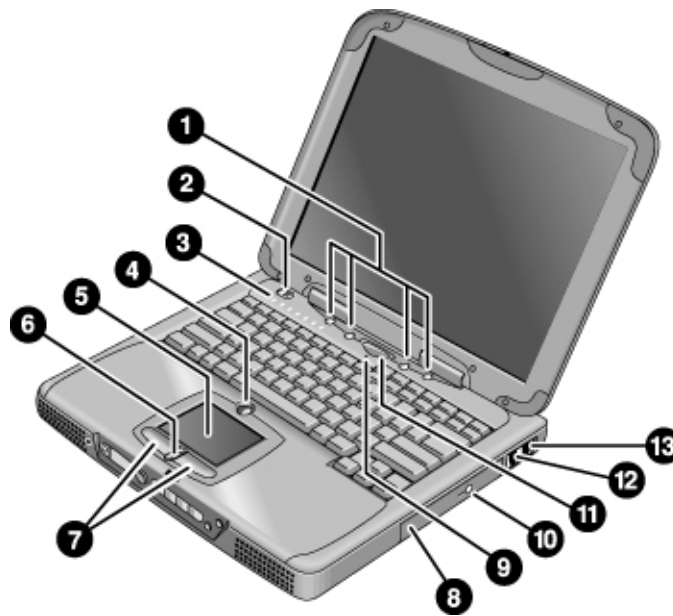
| <b>Source</b>                             | <b>Description</b>   |
|---|--|
| <i>Quick Start</i> sheet                  | This pictorial introduction shows you how to get the computer up and running quickly.  |
| <i>Reference Guide</i>                    | The <i>Reference Guide</i> is a help file located on your hard drive. It provides you with detailed information about your notebook PC. Click Start, Help and Support, HP Library, HP Notebook Reference Guide.                  |
| HP Notes                                  | This document contains late-breaking information available after the <i>Reference Guide</i> was completed. Double-click the HP Notes icon on the desktop (if available), or click Start, Help and Support, HP Library, HP Notes. |
| Introductory Microsoft manual for Windows | This manual contains information about using the standard features of Microsoft Windows.   |
| Windows Help                              | Click Start, Help and Support.   |
| HP notebook PC web site                   | <a href="http://www.hp.com/notebooks">www.hp.com/notebooks</a>   |

---

## Identifying Parts of the Notebook

---

### Top and right side view

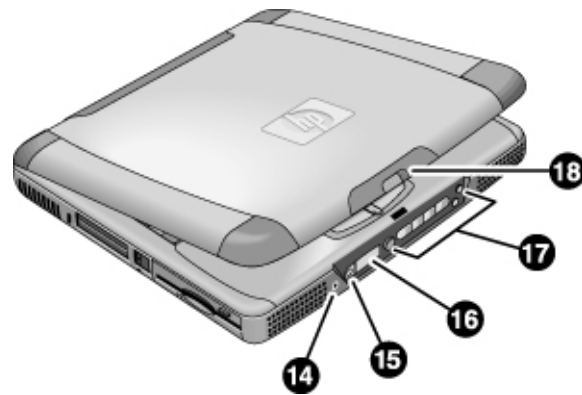


- |   |  |    |  |
|---|--|----|--|
| 1 | One-Touch buttons                              | 8  | CD-ROM, CD-RW, DVD, or CD-RW/DVD drive   |
| 2 | Power switch                                   | 9  | Microphone                               |
| 3 | Status lights (see “Status lights” on page 15) | 10 | CD-ROM or DVD eject button               |
| 4 | Pad Lock touch pad on/off button               | 11 | Blue standby button                      |
| 5 | Touch pad (pointing device)                    | 12 | Modem port ( <b>on selected models</b> ) |
| 6 | Scroll up/down toggle                          | 13 | LAN port ( <b>on selected models</b> )   |
| 7 | Click buttons                                  |    |  |

Introducing Your Computer  
**Identifying Parts of the Notebook**

---

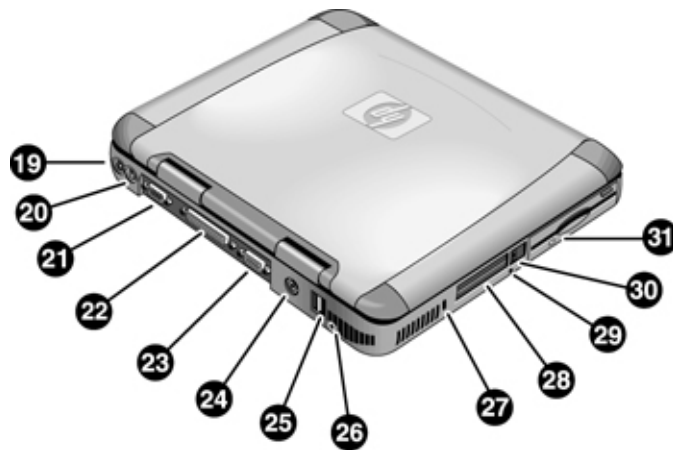
Front view



- 14 Headphone audio jack
- 15 Status panel mode select button (**on selected models**)
- 16 Status panel (**on selected models**)
- 17 Multimedia buttons (**on selected models**) (see “Multimedia Buttons” in the *Reference Guide*)
- 18 Latch (to open computer)

---

Rear and left side view

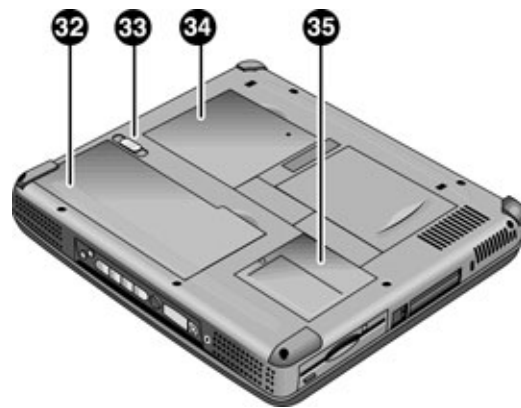


- |    |  |    |  |
|----|--|----|--|
| 19 | AC adapter (power) jack                | 26 | Microphone jack                            |
| 20 | PS/2 port (external mouse or keyboard) | 27 | Kensington lock slot (security connector)  |
| 21 | Serial port                            | 28 | PC card slots                              |
| 22 | Parallel port                          | 29 | System-off button (for resetting computer) |
| 23 | VGA port (external monitor)            | 30 | PC card eject buttons                      |
| 24 | TV output port                         | 31 | Floppy disk drive                          |
| 25 | USB ports                              |    |  |

Introducing Your Computer  
**Identifying Parts of the Notebook**

---

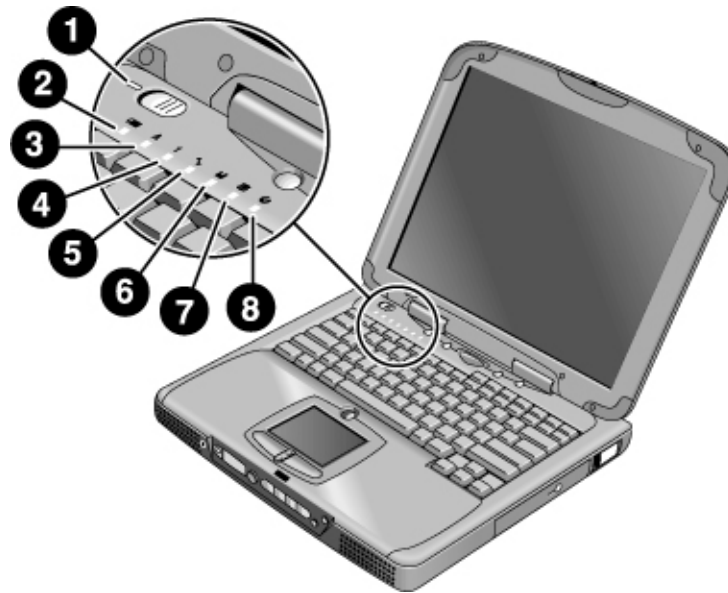
Bottom view



- 32 Battery
- 33 Battery latch
- 34 RAM expansion cover
- 35 Mini-PCI cover (no user parts inside)

---

## Status lights



- 1 Power
- 2 Battery
- 3 Caps lock (capital letters)
- 4 Num lock (numeric keypad)
- 5 Scroll lock
- 6 Floppy disk drive access
- 7 Hard disk drive access
- 8 CD-ROM, CD-RW, DVD, or CD-RW/DVD drive access

---

## Setting Up the Computer

---

### To install the battery

Your computer is shipped with the battery installed. If the battery has been removed, you can install it by inserting it into the battery bay on the bottom of your computer. Insert the back edge first, as shown, then press down the front edge until the battery latch clicks shut.



Once you have installed the battery, connect the AC adapter to the computer and recharge the battery while you work. You can also replace a low battery with a charged one.

---

#### **WARNING**

---

**Do not mutilate, puncture, or dispose of batteries in fire. A battery can burst or explode, releasing hazardous chemicals. A rechargeable battery must be recycled or disposed of properly.**



---

## To connect AC power

Plug in the AC adapter, then connect the AC adapter to the rear of the computer. The battery starts charging.



---

### **CAUTION**

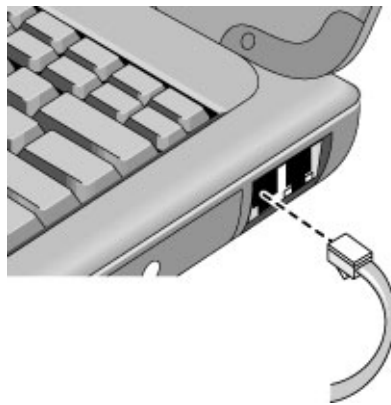
**Use only an HP AC adapter intended for this product, either the adapter that came with the computer or another authorized HP adapter. Using an unauthorized AC adapter can damage the computer and may void your warranty. Refer to the warranty statement for your product.**

---

## To connect a phone line

Selected models of the HP notebook PC include a built-in modem. If you prefer, you can instead use a PC card modem or an external modem to connect a phone line.

1. Plug one end of the phone line into the modem phone jack on the computer. Be sure it clicks into place.



2. Plug the other end of the phone line into a telephone jack. (If the phone line does not fit your telephone jack, you may need to use an adapter.)

---

**CAUTION**

---

**Your built-in modem may not work with multiple phone lines or a private branch exchange (PBX). It cannot be connected to a coin-operated telephone, and it does not work with party lines. Some of these connections may result in excess electrical voltage and could cause a malfunction in the internal modem. Check your telephone line type prior to connecting your phone line.**

---

## To turn on the computer

Press the blue standby button located above the center of the keyboard. Windows starts automatically. If you are turning on the computer for the first time, go to “To set up Windows,” below.

The power status light next to the power switch (see “Status lights” on page 15) reports the following:

- steady green light: computer is on
- steady amber light: computer is in system standby mode
- no light: computer is off or in hibernate mode

See “Managing Power Consumption” on page 30 for additional information about turning off your computer.

---

### Hint

If your computer does not turn on when operating on battery power, the battery may be out of power. Plug in the AC adapter and press the standby button again.

---

## To set up Windows

Your HP notebook has Microsoft Windows XP preinstalled on the hard disk drive. The first time you turn on your computer, a Windows Setup program will automatically run so that you can customize your setup.

Before you begin, connect the AC adapter to your notebook, since your battery may not be sufficiently charged to complete the Windows setup. Also, be sure to connect the notebook to a phone line; see “To connect a phone line” on page 18.

1. Press the blue standby button. The Windows Setup program starts automatically.
2. Follow the instructions as they appear on the screen.

During setup, you are prompted to enter a user name and accept the License Agreement.

You can also register your computer at this time. Follow the instructions on the screen during setup.

3. If your computer has a modem, check the modem’s country or region settings: click Start, Control Panel, Printers and Other Hardware, Phone and Modem Options, then click Edit on the Dialing Rules tab.

## Introducing Your Computer

### Setting Up the Computer

---

**Note**

You may be required to enter your Windows ID number. To locate it, look on the Certificate of Authenticity packaged with the Microsoft Windows manual or look for a sticker in the battery compartment.

If you have any connection problems with your modem, try redialing. If that doesn't work, you can skip registration for now.

---

If you're not familiar with Windows XP, click Start, Tour Windows XP, or check the Windows manual to discover what's new.

---

## To register your computer

Be sure to register your computer. Registering is free and fast, and it ensures you will receive quicker, more personalized support. The information you provide during registration will be used to provide you with better products and services.

You can register while setting up Windows, or later in any of three ways: by modem, by phone, or by fax. For some countries and models, an HP notebook registration icon is available on the desktop.

### By modem

To register by modem, see that the phone is connected, then follow the onscreen instructions.

If you choose not to register right away, you can register by modem later by double-clicking the Registration icon on the desktop (if available). This icon disappears after you register.

---

**Note**

If you encounter a busy signal while attempting to register by modem, the registration client may suspend with an hourglass icon. Click the Back button and dial-out again.

---

If your computer does not have a built-in modem, you can register after you set up a PC card modem or an external modem—or you can register by phone or fax.

### By phone

You can call your HP Customer Care Center and register by phone. Check “To call HP for service and support” on page 43 for the phone number.

### By fax

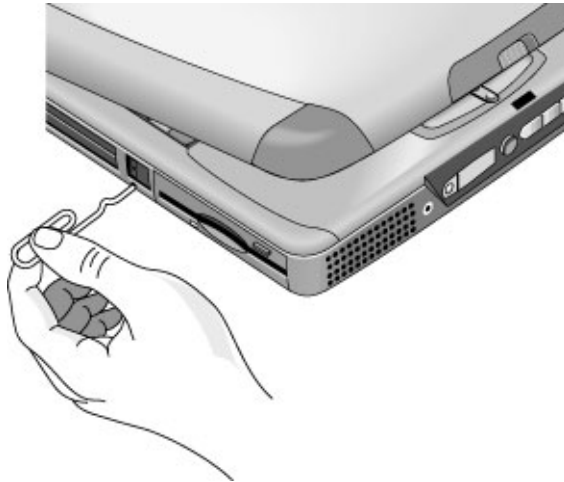
If a printer is connected to your computer, you can print a registration form and fax it to HP. Double-click the HP Notebook Registration icon on the desktop (if available), and print the registration form. You will find the fax number on the registration form.

---

## To reset your computer

If Windows or your computer stops responding, you can reset the computer and restart Windows.

1. If possible, shut down Windows: click Start, Turn Off Computer, Turn Off.  
–or, if this fails–  
Press CTRL+ALT+DEL, then click Shut Down.
2. If the computer does not shut down, slide and hold the power switch for five seconds, then release it.
3. If the computer still does not shut down, insert a pin or straightened paper clip into the recess on the left side of the computer, underneath the PC card eject buttons.



4. After the computer shuts down, press the blue standby button to turn the computer on again.



---

## Using Your Computer

---

## Operating the Computer

---

### To use the Fn hot keys



The combination of the Fn key plus another key creates a *hot key*—a shortcut key sequence—for various system controls. Press *and hold* Fn while pressing the appropriate key.

| <b>Hot key</b> | <b>Does this</b>  |
|----------------|---|
| Fn+F1          | Decreases the display's brightness (TFT screens only)                               |
| Fn+F2          | Increases the display's brightness (TFT screens only)                               |
| Fn+F3          | Decreases the display's brightness (HPA screens only)                               |
| Fn+F4          | Increases the display's brightness (HPA screens only)                               |
| Fn+F5          | Switches among the built-in display, an external display, and simultaneous displays |
| Fn+F7          | Toggles the sound on and off (mutes sound)  |
| Fn+F8          | Toggles the embedded numeric keypad on and off                                      |
| Fn+Lock key*   | Toggles Scroll Lock on and off (except on external keyboard)                        |
| Fn+Up arrow    | Increases sound volume (except on external keyboard)                                |
| Fn+Down arrow  | Decreases sound volume (except on external keyboard)                                |

\*The Lock key is in the top row of the keyboard:

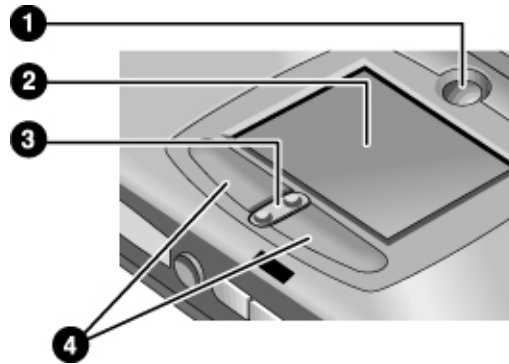


---

### To use the touch pad

The touch pad, a touch-sensitive pointing device that controls the motion and speed of the pointer on the screen, is built into your computer.





- 1 Pad Lock (touch pad on/off button)
- 2 Touch pad (pointing device)
- 3 Scroll up/down toggle
- 4 Click buttons

- Move a thumb or finger across the touch pad in the direction you want the pointer to move.
- Use the click buttons, which function like the left and right buttons on a mouse, to make your selection. You can also tap on the touch pad instead of clicking a button.
- To open an application, move the pointer over the icon, then press the left click button twice rapidly (double-click). You can instead tap twice on the touch pad.
- To make a menu selection, move the pointer to the item and click the left click button once.
- To open the shortcut menu for an item, move the pointer over the item and click the right click button.
- To drag an item, move the pointer over the item. Press and hold the left click button while you move the pointer to the new location. Release the button.
- To scroll up and down, press the top or bottom of the center toggle below the touch pad.
- To disable the touch pad, press the Pad Lock button (the amber touch pad indicator turns off). To reenale it, press the Pad Lock button again (the touch pad indicator lights). You may wish to disable the touch pad, for example, when you are entering text and do not want to move the cursor accidentally. Avoid contact with the touch pad itself at the same time you are pressing the Pad Lock button (to disable or to reenale); simultaneous contact will not allow the Pad Lock button to work properly.

---

## Working in Comfort with a Notebook PC

You can use your HP notebook computer virtually anywhere, anytime. The following recommendations should help you work more comfortably.

Note that if you are using your portable computer as your primary computer, or using it for extended periods, you should use it with a full-size keyboard, monitor, and mouse. This will give your portable computer the adjustability and comfort features of a desktop unit. HP docking accessories offer quick, easy connections to these devices. More information on how to prepare your workspace environment and set up your HP equipment is available in *Working in Comfort*, which is preloaded on the hard disk in the HP Library (click Start, Help and Support, HP Library) and available on the *Recovery CD* in \hp\library—as well as at [www.hp.com/ergo](http://www.hp.com/ergo).

---

### **WARNING**

---

**Improper use of keyboards and other input devices has been associated with ergonomic injury. For more information about reducing your risk, visit our ergonomics web site or see *Working in Comfort* in the online HP Library.**

#### **Your mobile work environment**

- Use a chair that provides good support for your lower back. If an adjustable chair is not available, you can use a pillow or rolled-up towel to provide lower back support.
- Try to keep your thighs parallel to the floor and your feet flat on the floor. In a mobile environment, you can do this by using a phone book or briefcase to support your feet.
- Adjust the height of either your work surface or chair to keep your arms in a neutral position. Your arms should be relaxed and loose, elbows at your sides, with the forearms and hands parallel with the floor.
- Position your notebook computer display to minimize glare and reflection. For example, on an airplane, lower the window shade; or in a hotel room, draw the curtains. You also should maintain a comfortable viewing distance—approximately 40 to 60 cm (16 to 24 inches). Adjust the angle of your display to help keep your head angled slightly downward in a comfortable position.

### **Using your mobile computer**

- Position the computer so your wrists and hands are in a neutral position. Your wrists should be as straight as possible and should not have to bend sideways or more than 10 degrees up or down. Your HP notebook computer has a built-in palm rest, which is ideal for this purpose.
- Try to type as lightly as possible. The notebook keyboard requires little force to activate.
- Take frequent, short rest breaks—this is especially important in a mobile computing environment.
- Portable computers weigh between approximately 1.5 and 4 kilograms (approximately 3 to 8 pounds). When traveling, be sure to carry your computer properly to minimize strain on your body. Shift the bag containing your notebook equipment frequently between your left and right hands and shoulders.



---

## Traveling with Your Computer

---

## Managing Power Consumption

When you are not using your computer, you will want to maximize battery operating time without compromising performance. It is not necessary to turn the computer off in order to reduce power consumption and extend battery life.

Windows uses Advanced Configuration and Power Interface (ACPI) to provide manual and automated tools for reducing power consumption.

- You can set power management options to occur automatically, based on timeout values entered. See “To use automated power management” in the *Reference Guide*.
- You can also invoke power management options manually at any time by pressing the appropriate key. See “To use manual power management,” below.

---

### To use manual power management

You can manage your computer’s power manually whenever you need to with any of the following three levels of power management.

#### System Standby

|               |  |
|---------------|--|
| <b>Action</b> | Turns off the display and hard disk drive.   |
| <b>When</b>   | Press the blue standby button<br>-OR-<br>Click Start, Turn Off Computer, Stand By<br>-OR-<br>Configure lid, power switch, or standby button to perform the standby action (see “To set power management properties,” above). Then close lid or press button. |
| <b>Resume</b> | Press the blue standby button to return to your current session.   |

System standby can also occur automatically when the timeout setting in Power Options in Control Panel is reached.

---

#### CAUTION

**Make a habit of saving your work before allowing your computer to go to system standby. If there is an interruption in power while the computer is in standby, information that has not been saved will be lost.**

---

### System Hibernation

|               |   |
|---------------|---|
| <b>Action</b> | Saves the current session to disk, then shuts down. Provides maximum power savings while still allowing you to recover the current session. Restores network connections.   |
| <b>When</b>   | Click Start, Turn Off Computer, then press and hold Shift and click Hibernate.<br>-OR-<br>Configure lid, power switch, or standby button to perform the hibernation action (see “To set power management properties,” above). Then close lid or press button. |
| <b>Resume</b> | Press the blue standby button to recover your current session. This may take several minutes.   |

Hibernate mode also occurs automatically when battery power reaches a critically low level. See “To respond to a low-battery warning” on page 33.

### Off

|               |   |
|---------------|---|
| <b>Action</b> | Turning off your computer provides maximum power savings. The current session is not saved and unsaved data will be lost.   |
| <b>When</b>   | Click Start, Turn Off Computer, Turn Off<br>-OR-<br>Slide the power switch and hold for five seconds (only if the Start menu procedure doesn't work)<br>-OR-<br>Configure a power switch (see “To set power management properties,” above). |
| <b>Resume</b> | Press the blue standby button to start a new session. This may take several minutes.  |

If the system stops responding and you are not able to turn off the computer as described above, you can still recover. See “To reset your computer” on page 21.

---

## Using Battery Power

You can operate the HP notebook PC on battery power for extended periods, but you should be prepared to save your work and shut down if the battery is low.

---

### To check the battery status

#### From the battery status light



The battery status light reports the following information:

|       |   |
|-------|---|
| Green | AC attached—battery full                              |
| Amber | AC attached—battery charging                          |
| Red   | AC attached—battery will not accept charge (abnormal) |



#### **From the Windows taskbar**

The System Tray on the Windows taskbar can display a power icon that provides detailed battery status information (see Windows help for details). The icon looks like a battery when AC is not connected.

- Place pointer over the power icon to display the percentage of charge remaining.
- Right-click the power icon to view the options for displaying power information.
- Left-click the power icon to display a menu of the available power schemes.

#### **From the Windows Control Panel**

- Click Start, Control Panel, Performance and Maintenance, Power Options, then click the Power Meter tab to see battery status. The Alarms and Advanced tabs provide additional Windows' power-information options.

#### **From the status panel**

If your computer has a status panel, press the status panel mode button repeatedly until you see the battery icon and the percentage of charge remaining.

---

## To respond to a low-battery warning

The computer automatically alerts you when the battery power drops to a critically low level. If you do not restore power within a short time, the system hibernates.

Once the computer hibernates in this way, you won't be able to turn it on again until you restore power by one of the following actions:

- Plug in the AC adapter (see "To connect AC power" on page 17).
- OR*
- Replace the battery with one that is charged (see "To install the battery" on page 16). The system must first be shut down or put into hibernate mode before changing the battery.

---

**Note**

If you plug in the AC adapter, you can continue to work while your battery recharges.



---

## Configuring and Expanding Your Computer

---

## Installing RAM Modules

The notebook provides an optional memory expansion slot for installing up to two RAM expansion modules. Use HP PC-133 or higher SDRAM modules only.

---

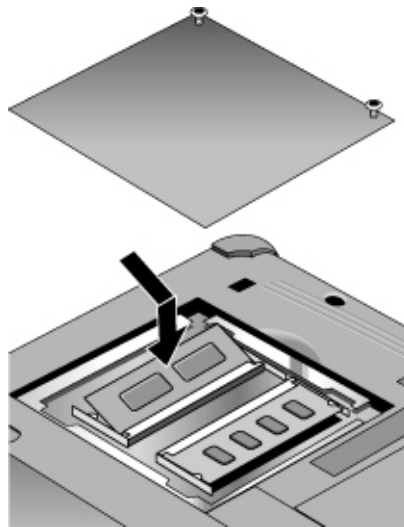
### CAUTION

**Static electricity can permanently damage computer chips. Handle the RAM module only by its three non-connector edges. Otherwise, you may damage the module due to electrostatic discharge. Always discharge the static electricity from your body by touching the metal shielding around the connectors on the rear of the computer before touching or installing the memory module.**

---

You'll need a small Phillips screwdriver to complete this procedure.

1. Click Start, Turn Off Computer, Turn Off.
2. **Important:** unplug the AC adapter, if present, and remove the battery.
3. Remove the RAM expansion cover located on the bottom of the computer.



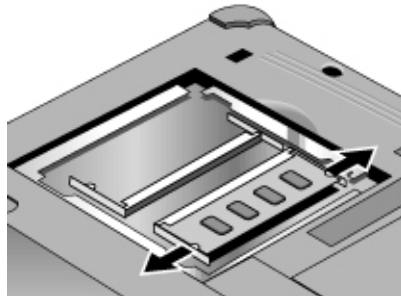
4. Insert the RAM expansion module into the connector at about a 30° angle until it's fully inserted. Then press down at both sides of the module until it latches.
5. Replace the RAM expansion module door.
6. Insert the battery.

---

## Removing RAM Modules

You'll need a small Phillips screwdriver to complete this procedure.

1. Click Start, Turn Off Computer, Turn Off.
2. Unplug the AC adapter and remove the battery.
3. Remove the RAM expansion cover located on the bottom of the computer.



4. Release the two latches at the sides of the RAM expansion module by pushing them gently outward (away from the sides of the module). When you release the latches, the free edge of the module pops up.
5. Pull the module out of the connector. Note the markings on the socket, so you can replace the module with a compatible module.
6. Replace the RAM expansion module door.



---

## Service and Support

---

## Hewlett-Packard Limited Warranty Statement

1. HP warrants to you, the end-user customer, that HP hardware, accessories, and supplies will be free from defects in materials and workmanship after the date of purchase, for the period specified in the Warranty Duration table below. HP Pavilion and Omnibook XE Series Notebooks typically come with a standard one-year warranty. Please see the Warranty Duration table for more details. If HP receives notice of such defects during the warranty period, HP will, at its option, either repair or replace products which prove to be defective. Replacement products may be either new or equivalent in performance to new.
2. HP warrants to you that HP software will not fail to execute its programming instructions after the date of purchase, for the period specified in the Warranty Duration table below, due to defects in material and workmanship when properly installed and used. If HP receives notice of such defects during the warranty period, HP will replace software which does not execute its programming instructions due to such defects.
3. HP does not warrant that the operation of HP products will be uninterrupted or error free. If HP is unable, within a reasonable time, to repair or replace any product to a condition as warranted, you will be entitled to a refund of the purchase price upon prompt return of the product.
4. HP's limited warranty is valid in any country or locality where HP has a support presence for this product and where HP has marketed this product. The level of warranty service you receive may vary according to local standards. HP will not alter form, fit or function of the product to make it operate in a country for which it was never intended to function for legal or regulatory reasons.
5. Warranty does not apply to defects resulting from (a) improper or inadequate maintenance or calibration, (b) software, interfacing, parts, or supplies not supplied by HP, (c) unauthorized modification or misuse, (d) operation outside of the published environmental specifications for the product, or (e) improper site preparation or maintenance.



6. TO THE EXTENT ALLOWED BY LOCAL LAW, THE ABOVE WARRANTIES ARE EXCLUSIVE AND NO OTHER WARRANTY OR CONDITION, WHETHER WRITTEN OR ORAL, IS EXPRESSED OR IMPLIED AND HP SPECIFICALLY DISCLAIMS ANY IMPLIED WARRANTIES OR CONDITIONS OF MERCHANTABILITY, SATISFACTORY QUALITY, AND FITNESS FOR A PARTICULAR PURPOSE. Some countries, states, or provinces do not allow limitations on the duration of an implied warranty, so the above limitation or exclusion might not apply to you. This warranty gives you specific legal rights and you might also have other rights that vary from country to country, state to state, or province to province.
7. TO THE EXTENT ALLOWED BY LOCAL LAW, THE REMEDIES IN THIS WARRANTY STATEMENT ARE YOUR SOLE AND EXCLUSIVE REMEDIES. EXCEPT AS INDICATED ABOVE, IN NO EVENT WILL HP OR ITS SUPPLIERS BE LIABLE FOR LOSS OF DATA OR FOR DIRECT, SPECIAL, INCIDENTAL, CONSEQUENTIAL (INCLUDING LOST PROFIT OR DATA), OR OTHER DAMAGE, WHETHER BASED IN CONTRACT, TORT, OR OTHERWISE. Some countries, states or provinces do not allow the exclusion or limitation of incidental or consequential damages, so the above limitation or exclusion may not apply to you.

THE WARRANTY TERMS CONTAINED IN THIS STATEMENT, EXCEPT TO THE EXTENT LAWFULLY PERMITTED, DO NOT EXCLUDE, RESTRICT OR MODIFY AND ARE IN ADDITION TO THE MANDATORY STATUTORY RIGHTS APPLICABLE TO THE SALE OF THIS PRODUCT TO YOU.

| <b>Product</b>  | <b>Duration of Limited Warranty</b>                    |
|---|--|
| HP Notebook with "1YR" or similar mark on serial-number label | 1 year, or number of years marked.                     |
| HP Notebook with "90D" or similar mark on serial-number label | 90 days or number of days marked.                      |
| HP Notebook accessories and batteries                         | 1 year.  |
| Non-HP accessories,<br>Non-HP "Distributed by HP" accessories | Not warranted by HP. Refer to manufacturer's warranty. |
| HP Software, Microsoft Software                               | 90 days.   |

---

## Getting Support for Your HP Notebook PC

HP offers a number of ways that you can get technical support for your computer. If you have questions or problems, here are the resources available to you:

- Look up information in the electronic *Reference Guide*.
- Visit the HP notebook web site.
- Use HP Instant Support on your notebook.
- Call HP support.
- Look up information in Microsoft Windows Help and the printed Windows manual.

---

### To use the *Reference Guide*

The *Reference Guide* is an electronic help system included on your hard disk. To open the *Reference Guide*, click Start, Help and Support, HP Library, HP Notebook Reference Guide.

To locate information in the guide, use the Contents, Index, and Search tabs:

- The Contents tab lists the headings of all the topics in the guide.
- The Index tab provides an alphabetical list of the keywords in the guide; you can locate a keyword either by typing it in the box or by scrolling through the list.
- The Search tab allows you to find specific words and phrases.

---

### To get help from the HP notebook web site

HP has a web site on the Internet dedicated to HP notebook owners: [www.hp.com/notebooks](http://www.hp.com/notebooks). This web site contains information about the various HP notebook models, warranties, support, and special promotions.

To get help with your computer at this web site, click on Technical Support. In the technical support area, you will have access to:

- answers to frequently asked questions
- software, driver, and BIOS updates

- electronic manuals
- troubleshooting solutions
- self-help tools
- the basic services included with your warranty, as well as descriptions of enhanced and custom services
- latest support telephone numbers for HP products

### **To use HP Instant Support**

Available at no charge, HP Instant Support is a value-added service, featuring web-based automated diagnosis and resolution capabilities. It can be personalized to meet your business needs, delivering the support experience that works for you and accelerating the resolution of computing problems.

Choose either automated Self-Service, for online delivery of answers, or Smart Solutions, which utilizes Instant Support's "smart search" function. This intelligent tool allows you to describe problems in everyday language, then wizards you through a variety of user-friendly support options. Find more information about Instant Support on our external web site at [www.hp.com/hps/instant/index.htm](http://www.hp.com/hps/instant/index.htm).

---

## To call HP for service and support

If you are unable to solve a problem with your computer, you can call the HP Customer Care Center. The Customer Care Center will assist you at no charge during the term of the warranty, for warranty-related questions; you are responsible only for cost of the telephone call. During the free assistance period, HP will assist with questions about:

- applications and operating systems included with your computer
- HP-described operation environments and conditions
- HP accessories, HP upgrades, and basic operation and troubleshooting

HP will not be able to help with questions about:

- non-HP hardware, software, operating systems, or usage not intended for—or not included by HP with—the product
- how to repair the product yourself
- product development or custom installations
- consulting

Service and Support  
**Getting Support for Your HP Notebook PC**

To locate the Customer Care Center in your area, check the following table. HP Customer Care Centers will assist you for free during the term of the warranty; you are responsible only for the cost of the telephone call. Check the HP notebook web site ([www.hp.com/notebooks](http://www.hp.com/notebooks)) for the most complete and current list of phone numbers. If the HP notebook product is not normally sold and supported by HP in the country of use, the customer must call one of the supported HP Customer Care Centers located nearest the region. Currently, Omnibook XE3 and Pavilion notebook service and support assistance is only provided in the following countries:

**Pavilion Series Notebooks (limited to the following)**

United States: +1 (970) 635-1000

France: +33 (0) 1 43 62 34

United Kingdom: +44 (0) 207 512 52

Mexico City: +52 58 9922

Mexico (outside Mexico City): +52 01 800 472

**Omnibook XE3 Series Notebooks**

**North America**

United States +1 (970) 635-1000  
 Canada +1 (905) 206-4663

**Latin America**

Mexico City +52 58 9922  
 Mexico (outside Mexico) +52 01 800 472

**South America**

Argentina +0810 555 5520  
 Brazil (São Paulo) (11) 3747 7799  
 Brazil (outside São Paulo) 0800 157751  
 Venezuela 0800 157751

**Asia Pacific**

Australia +61 (0)3 8877 8000  
 Hong Kong +852 800 96 7729  
 India +91 11 682 6035  
 Indonesia +62 21 350 3408  
 Japan +81 (0)3 3335 8333  
 Korea +82 2 3270 0700  
 Malaysia +60 (0)3 295 2566  
 New Zealand +64 (0)9 356 6640  
 People's Republic of China +86 800 810 5959  
 Philippines +63 2 867 3551  
 Singapore +65 272 5300  
 Taiwan +886(2)2717 0055  
 Thailand +66 2 661 4000  
 Vietnam +84 8 823 4530

**Africa/Middle East**

Dubai +971 (0)4 8839 292  
 Israel +972 (0)9 952 4848  
 Republic of South Africa +27 (0)86-000-1030

**Europe**

Austria +43 (0)7114 20  
 Belgium (Dutch) +32 (0)2 626 8806  
 Belgium (French) +32 (0)2 626 8807  
 Czech Republic +42 (0)2 6130 7310  
 Denmark +45 39 29 4099  
 English (from outside UK) +44 (0)171 512 52  
 Finland +358 (0)203 47 288  
 France +33 (0)1 43 62 34  
 Germany +49 (0)180 52 58  
 Greece +30 (0)1 619 64 11  
 Hungary +36 (0)1 382 1111  
 Ireland +353 (0)1 662 5525  
 Italy +39 02 264 10350  
 Netherlands +31 (0)20 606 8751  
 Norway +47 22 11 6299  
 Poland +48 22 519 06 00  
 Portugal +351 21 317 6333  
 Russia (Moscow) +7 095 797 3520  
 Russia (St. Petersburg) +7 812 346 7997  
 Spain +34 902 321 123  
 Sweden +46 (0)8 619 2170  
 Switzerland +41 (0)848 80 11 11  
 Turkey +90 216 579 71 71  
 Ukraine +7 380 44 490 3520  
 United Kingdom +44 (0)207 512 52

---

## Obtaining Repair Service

---

---

### To receive warranty repair service

To receive warranty repair service for Omnibook XE3 and Pavilion Notebook Series, contact the appropriate HP Customer Care Center. Check “To call HP for service and support” on page 43 for the phone number.

---

**Note**

HP Pavilion notebooks have regional support and service in selected countries. Currently, HP Pavilion notebook PCs are supported only in the country in which they are purchased and marketed. If you are outside the country of purchase, you must cover the cost of shipping your notebook to the appropriate HP authorized repair site.

For example, if you purchased a Pavilion notebook in the United Kingdom, and then traveled to Russia, you would be responsible for shipping the unit to the United Kingdom for repair and service under warranty. If you are uncertain about the support, please contact our Customer Care Center—see “To call HP for service and support” on page 43.

---

The support technician will help qualify your unit for warranty repair, based on the warranty applicable to your unit and original purchase date, and will provide you with repair processes. If the HP notebook product is not normally sold and supported by HP in the country of use, it must be returned to a supported country for services. Warranty service may include the cost of shipping, handling, duties, taxes, freight, or fees to or from the service location.

### **To repair your computer outside the warranty period**

If your PC is no longer in the warranty period, contact the appropriate Customer Care Center. The HP support person will let you know about repair charges and processes.

## To prepare your computer for shipment

1. **Important.** Back up the contents of your hard disk drive to floppy disks, tape, or a network drive.

While your computer is being repaired, the hard disk may be replaced or reformatted.

2. Hewlett-Packard cannot guarantee the return of removable components. Please remove the following before you send your computer for service:
  - PC cards
  - AC adapter and power cord
  - CDs in the CD player
  - floppy disks in the floppy disk drive
3. When shipping your computer to Hewlett-Packard, please use the original product packaging or other substantial packaging in order to avoid damage in transit. Make sure to wrap at least three inches of protection around the unit and the courier will put it into one of their boxes.





---

## Solving Problems with Your Computer

## Troubleshooting Techniques

This section contains solutions to a few common problems and troubleshooting techniques for your HP notebook PC. Here in the *Startup Guide*, you will find suggestions about situations that might occur when you cannot access information on your computer. A more complete set of troubleshooting solutions and techniques is in the electronic *Reference Guide*.

---

### Display problems

#### **If the computer is on, but the screen is blank**

- Move the mouse or tap the touch pad. This will wake the display if it is off.
- Try pressing Fn+F2 or Fn+F4 to increase the brightness.
- Press Fn+F5 in case the internal display was disabled. (Do this three times to return to the state you started from.)
- If the computer is cold, allow it to warm up.

#### **If the screen is difficult to read**

- Check whether the display resolution is set to its default setting—800×600 for 12" TFT and 13" HPA displays or 1024×768 for 13", 14", and 15" TFT displays: click Start, Control Panel, Appearance and Themes, Display, Settings.
- 

### Hard disk drive problems

#### **If the computer's hard drive doesn't spin**

- Make sure the computer has power. If necessary, connect the AC adapter, making sure it is plugged into a power source and into the rear of the computer.

#### **If the hard disk makes a buzzing or whining noise**

- Back up the drive immediately.
- Check for alternate noise sources, such as the fan or a PC card drive.

## Keyboard, touch pad, and mouse problems

### **If the touch pad is difficult to control**

- Customize the touch pad by modifying Mouse properties: click Start, Control Panel, Printers and Other Hardware, Mouse.

### **If the pointing devices don't work**

- Don't touch the touch pad while booting or resuming. If this happens, try the following:
  - Press a key on the keyboard to restore normal operation.
  - Suspend and resume operation using the blue standby button.
- Restart the computer: click Start, Turn Off Computer, Restart.

---

## Performance problems

For best performance with Windows XP, your computer should have at least 96 to 128 MB of memory (RAM).

### **If the computer stops responding**

- Press CTRL+ALT+DEL to end any application that is not responding.
- Slide and hold the power switch for at least four seconds to turn off and reset the computer. Then press the blue standby button to turn the computer back on.
- If nothing happens, insert a straightened paper clip into the system-off button on the left side of the computer. Then press the blue standby button to turn the computer back on.

## Power and battery problems

### **If the computer turns off immediately after it turns on**

- Battery power is probably extremely low. Plug in the AC adapter or insert a newly charged battery.

### **If the computer keeps beeping**

- The computer beeps repeatedly or displays a warning when the battery is low. Save your work, shut down the computer immediately, and insert a charged battery or plug in the AC adapter.

### **If the battery doesn't charge**

- Make sure the AC adapter is plugged into the power source and that the light on the adapter is on.
- If you're using a power strip, remove the AC adapter from the power strip and plug it directly into a wall outlet.
- Make sure the battery is fully installed and locked in place.
- Turn off the computer, then make sure the battery contacts are clean and that the AC adapter cables are fully plugged in.
- Move the computer away from any nearby heat source. Unplug the AC adapter and allow the battery to cool down. An elevated battery temperature prevents charging.
- If another battery is available, try it.
- If another AC adapter is available, try it.

## Startup problems

### **If the computer doesn't respond when you turn it on**

- Connect the AC adapter.
- Slide the power switch to try turning on the unit.
- Reset the computer by inserting a straightened paper clip into the system-off button on the left side of the computer. Then turn it on by pressing the blue standby button.
- Don't use the touch pad while booting or resuming.
- If you get no response, remove the battery and AC adapter, remove any PC cards, and undock the computer. Then plug in the AC adapter, reset the computer using the system-off button, and turn it on by pressing the blue standby button.
- If you still get no response, call HP for assistance.

### **If the computer doesn't boot from battery power**

- Make sure the battery is properly inserted and fully charged.
- Check battery contacts.
- If another battery is available, try it.

---

## Testing Hardware Operation

The e-Diagtools program included with your computer provides two levels of testing:

- Automated testing using the basic hardware test.
- Advanced testing using individual hardware tests.

The tests are designed to run after the system reboots. This ensures that the computer will be in a predictable state, so the diagnostic program can properly test the hardware components. The tests are nondestructive and are intended to preserve the state of the computer. The computer reboots when you exit the program, so drivers can be loaded.

### **To run the diagnostic test**

1. Restart the computer: click Start, Turn Off Computer, Restart.
2. Press F10 when you see the HP logo.
3. When the menu appears, press Enter to run e-Diagtools.

The first time you run the program, you will be prompted to select the language for the program.

4. Follow the prompts to run e-Diagtools.
5. When the Configuration Description appears, check the list of detected hardware.  
If a device is not detected, it may be configured incorrectly in the BIOS. You can confirm the problem by running BIOS Setup utility and checking the settings.
6. **Run the basic test.** Press F2 to start the basic hardware test. The results appear when the test is complete.
7. If you intend to exit without running the advanced tests, press F4 to view the Support Ticket. Press F3 to exit e-Diagtools.
8. **Optional: run the advanced tests.** Press F2 to open the advanced test screen.

9. Select and run the appropriate tests. Tests are listed only for detected hardware. Press the following keys to run tests:

|                |   |
|----------------|---|
| Enter          | Runs the highlighted test.                      |
| F5 or<br>Space | Marks or unmarks the highlighted test.          |
| F6             | Marks or unmarks all tests in the current menu. |
| F7             | Marks or unmarks all tests in all menus.        |
| F10            | Run all marked tests.                           |

10. **Save the Support Ticket.** Press T to update and display a Support Ticket containing system and test information.
11. When you have finished running advanced tests, press ESC to exit.
12. Optional: to save the Support Ticket to a floppy disk, press F7 then ALT+C.
13. **Exit.** Press F3 and then any key to exit and reboot.
14. **Optional: open the Support Ticket.** In Windows, click Start, All Programs, HP e-Diagtools, e-Diagtools for Windows.
15. Click View to display the Support Ticket.
16. To add information about your problem, click Comments and type the information, then click OK.

To save or print the Support Ticket, click Save As or Print.

To e-mail the Support Ticket to your support agent, click e-Mail. The first time you make an e-mail connection from this program, click Change Settings in the Connect window and enter the settings recommended by your support agent.

e-Diagtools for Windows can also update the version of e-Diagtools on your computer's hard disk. In e-Diagtools for Windows, use the e-Diagtools menu.

If you have trouble running e-Diagtools diagnostics from the hard disk, you can also run it from the *Recovery CD*. Boot from the CD and select the diagnostics option.

---

## Recovering and Reinstalling Software

You can use the *Recovery CD* to recover an original build. If you need to recover a specific application, you can reinstall the software directly from your hard drive; for instructions, see “To recover an application” in the *Reference Guide*.

The *Recovery CD* provides the HP notebook–specific Windows drivers to configure your custom system. You can find drivers:

- On the hard drive under `c:\hp\drivers`.
- On the *Recovery CD*, under `\hp\drivers`.
- On the HP notebook web site at [www.hp.com/notebooks](http://www.hp.com/notebooks). This web site contains the latest updates of software drivers for your computer.

---

### To recover the factory installation of your hard disk

The following procedure describes how to recover the original Windows software and operating system that came with your computer.

---

#### CAUTION

**This procedure formats the hard disk drive. After the hard disk drive is formatted, you’ll need to reinstall any applications. Reformatting the hard disk drive will erase all data on the disk.**

**Do not interrupt the following process or unplug the AC adapter until the process is complete.**

1. **Important:** back up all data from your hard disk. The following steps delete all data from the disk.
2. Connect the AC adapter to the computer.
3. Insert the *Recovery CD* (disc 1) in the CD-ROM drive. *If the computer is turned off, insert a straightened paper clip into the hole on the drive door to open it.*
4. Turn on or restart the computer. If the computer is running, click Start, Turn Off Computer, Restart.
5. When you see the HP logo, press ESC to display the Boot menu.
6. Use the arrow keys to select the CD-ROM drive as the boot device, and press Enter.



7. When the *Recovery CD* dialog box appears, follow the displayed instructions. If prompted, accept the recommended partition size. If you install the factory software, the recovery process can take up to 15 minutes.

If you want to create the hibernate partition without installing the factory software, click Advanced and select not to install the operating system.

If your hard disk is partitioned into several drives, you can install the factory software on drive C without affecting other drives. Click Advanced and select to restore only the C partition.

8. When prompted to reboot the computer, press CTRL+ALT+DEL and follow any instructions that appear.

You can find more details about recovering the factory installation of Windows on the *Recovery CD*: the file *readme.txt* is in the CD's root directory.



---

## Specifications and Regulatory Information

---

## Hardware and BIOS Specifications

You will find detailed information about your computer's hardware and BIOS specifications in the *Reference Guide*. Because we are constantly improving our products, the specifications shown below are subject to change. For the latest specifications, go to the HP notebook web site ([www.hp.com/notebooks](http://www.hp.com/notebooks)).

---

## Safety Information

---

### Power cords

The power cord supplied with the notebook AC adapter should match the plug and voltage requirements for your local area. Regulatory approval for the AC adapter has been obtained using the power cord for the local area. However, if you travel to a different area or need to connect to a different outlet or voltage, you should use one of the power cords listed below. To purchase a power cord (including one for a country not listed below) or a replacement AC adapter, contact your local Hewlett-Packard dealer or sales office. For any power cord with a fused plug, if you have to replace the fuse, be sure to install an approved fuse.

| <b>Country</b>   | <b>Rated Voltage and Current</b> | <b>HP Part Number</b> |
|--|----------------------------------|-----------------------|
| Canada<br>Mexico<br>Philippines<br>Taiwan<br>United States | 125 Vac (3 A)                    | 8120-6313             |
| Europe<br>Egypt<br>Israel<br>Saudi Arabia                  | 250 Vac (2.5 A)                  | 8120-6314             |
| Hong Kong<br>Singapore<br>United Kingdom                   | 250 Vac (2.5 A)                  | 8120-8699             |
| Australia<br>New Zealand                                   | 250 Vac (2.5 A)                  | 8120-6312             |
| Japan  | 125 Vac (3 A)                    | 8120-6316             |
| India  | 250 Vac (2.5 A)                  | 8121-0702             |
| South Africa   | 250 Vac (2.5 A)                  | 8120-6317             |
| Argentina  | 250 Vac (2.5 A)                  | 8120-8367             |
| Chile  | 250 Vac (2.5 A)                  | 8120-8452             |
| People's Republic of China                                 | 250 Vac (2.5 A)                  | 8120-8373             |

---

## Battery safety

---

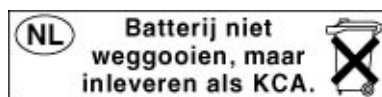
### Note

The following batteries are compatible only with selected HP notebook computers:

- HP F2109/NiMH
- HP F2024A/LiIon 9-cell
- HP F2193/LiIon 6-cell

While your computer may be shipped with any of these batteries, only the HP F2024A/LiIon 9-cell battery is available as a replacement after purchasing your notebook.

- To avoid risk of fire, burns, or damage to your battery pack, do not allow a metal object to touch the battery contacts.
- The battery pack is suitable for use only with compatible HP notebook models. Check the “Support and Service” section of this *Startup Guide* for your local HP contact.
- Do not disassemble. There are no serviceable parts inside. Do not dispose of the battery pack in fire or water.
- Handle a damaged or leaking battery with extreme care. If you come in contact with the electrolyte, wash the exposed area with soap and water. If it contacts the eye, flush the eye with water for 15 minutes and seek medical attention.
- Do not expose the battery pack to high storage temperatures, above 60° C (140° F).
- When discarding a battery pack, contact your local waste disposal provider regarding local restrictions on the disposal or recycling of batteries.
- To obtain a replacement battery, contact your local dealer or HP sales office.
- Do not charge the battery pack if the ambient temperature exceeds 45° C (113° F).
- When discarding a battery pack, contact your local waste disposal provider regarding local restrictions on the disposal or recycling of batteries.



---

## Laser safety

The CD-ROM and DVD drives used with the HP notebook PC are certified as Class 1 laser devices according to the U.S. Department of Health and Human Services (DHHS) Radiation Performance Standard and International Standards IEC 825 / IEC 825-1 (EN60825 / EN60825-1). These devices are not considered harmful, but the following precautions are recommended:

- Ensure proper use by reading and following the instructions carefully.
- If the unit requires service, contact an authorized HP representative—see the “Support and Service” section of this *Startup Guide*.
- Do not attempt to make any adjustment of the unit.
- Avoid direct exposure to the laser beam—do not disassemble the drive.

|   |
|---|
| CLASS 1 LASER PRODUCT<br>LASER KLASSE 1 |
|---|

---

## Regulatory Information

This section presents information that shows how the HP notebook PC complies with regulations in certain regions. Any modifications to the computer not expressly approved by Hewlett-Packard could void the authority to operate the HP notebook PC in these regions.

---

### U.S.A.

This computer has been tested and found to comply with the limits for a Class B digital device, pursuant to Part 15 of the FCC Rules. These limits are designed to provide reasonable protection against harmful interference in a residential installation.

This computer generates, uses, and can radiate radio frequency energy. If not installed and used in accordance with the instructions, it may cause harmful interference to radio communications. However, there is no guarantee that interference will not occur in a particular installation. If this computer does cause harmful interference to radio or television reception (which can be determined by removing the unit's batteries and AC adapter), try the following:

- Reorienting or relocating the receiving antenna.
- Relocating the computer with respect to the receiver.
- Connecting the computer's AC adapter to another power outlet.

#### **Connections to Peripheral Devices**

To maintain compliance with FCC Rules and Regulations, use properly shielded cables with this device.

For more information, consult your dealer, an experienced radio/television technician, or the following booklet, prepared by the Federal Communications Commission: *How to Identify and Resolve Radio-TV Interference Problems*. This booklet is available from the U.S. Government Printing Office, Washington, DC 20402, Stock Number 004-000-00345-4. At the first printing of this manual, the telephone number was (202) 512-1800.



**Declaration of Conformity (U.S.A.)**

**Responsible Party:** Hewlett-Packard Company  
Manager of Corporate Product Regulations  
3000 Hanover Street  
Palo Alto, CA 94304, U.S.A.  
+1 (650) 857-1501

declares that the product

**Trade name:** Hewlett-Packard Company  
**Product name:** Notebook PC  
**Model Number(s):** Omnibook XE3 (OB XE3), Pavilion N5D series  
Notebook PC (*D* is any number 0–9)

complies with Part 15 of the FCC Rules.

Operation is subject to the following two conditions:

1. This device may not cause harmful interference, and
2. This device must accept any interference received, including interference that may cause undesired operation.

---

## Canada

This digital apparatus does not exceed the Class B limits for radio noise emissions from digital apparatus as set out in the radio interference regulations of the Canadian Department of Communications.

Le présent appareil numérique n'émet pas de bruits radioélectriques dépassant les limites applicables aux appareils numériques de Classe B prescrites dans le règlement sur le brouillage radioélectrique édicté par le Ministère des Communications du Canada.

L'utilisation de ce dispositif est autorisée seulement aux conditions suivantes : (1) il ne doit pas produire de brouillage et (2) l'utilisateur du dispositif doit être prêt à accepter tout brouillage radioélectrique reçu, même si ce brouillage est susceptible de compromettre le fonctionnement du dispositif.

## European Union

The equipment has been approved in accordance with Council Decision 98/482/EC for pan-European single terminal connection to the public switched telephone network (PSTN). However, due to differences between the individual PSTNs provided in different countries, the approval does not, of itself, give an unconditional assurance of successful operation on every PSTN network termination point.

In event of problems, you should contact your equipment supplier in the first instance.

This equipment has been designed to work in all of the countries of the European Economic Area (Public Switched Telephone Networks). Network compatibility is dependent on internal software settings. Contact your equipment supplier if it is necessary to use the equipment on a different telephone network. For further product support, contact Hewlett-Packard at the phone numbers provided in your *Reference Guide*.

**Belgium:** For outdoor usage only channels 10 (2457 MHz) and 11 (2462 MHz) is allowed. For private usage outside buildings across public grounds over less than 300m, no special registration with IBPT/BIPT is required. Registration to IBPT/BIPT is required for private usage outside buildings across public grounds over more than 300m. An IBPT/BIPT license is required for public usage outside building. For registration and license please contact IBPT/BIPT.

**France:** Restricted frequency band: only channels 10 and 11 (2457 MHz and 2462 MHz respectively) may be used in France. License required for every installation, indoor and outdoor installations. Please contact ART for the procedure to follow. Use with outdoor installations not allowed.

**Germany:** License required for outdoor installations. Check with reseller for procedure to follow.

**Netherlands:** License required for outdoor installations. Check with reseller for procedure to follow.

**Italy:** License required for indoor use. Use with outdoor installations not allowed.

## Japan

この装置は、情報処理装置等電波障害自主規制協議会（VCCI）の基準に基づくクラスB情報技術装置です。この装置は、家庭環境で使用することを目的としていますが、この装置がラジオやテレビジョン受信機に近接して使用されると受信障害を引き起こすことがあります。

取り扱い説明書に従って正しい取り扱いをして下さい。

### **Japan Telecommunications Approval**

JATE approval number: A00-0143JP, A00-0434JP

Name of Equipment: T18M038.00, T18N040.00

---

## Russia

Продукт сертифицирован в системе ГОСТ Р

Модем сертифицирован в системе ЭЛЕКТРОСВЯЗЬ



## International

Products sold internationally by Hewlett-Packard and its authorized dealers meet the specifications listed on the following pages.

---

Specifications and Regulatory Information  
**Regulatory Information**

**Declaration of Conformity (according to ISO/IEC Guide 22 and EN 45014)**

**Manufacturer's Name:** Hewlett-Packard Company  
**Manufacturer's Address:** Hewlett-Packard Company  
Mobile Computing Division  
19310 Pruneridge Ave.  
Cupertino, CA 95014, U.S.A.

declares that the following product

**Product Name:** Notebook PC  
**Model Numbers:** Omnibook XE3 (OB XE3), Pavilion N5D series Notebook PC (*D* is any number 0–9)  
**Product Options:** All

conforms to the following product specifications

**Safety:** IEC 950: 1991 +A1,A2,A3,A4 / EN 60950: 1992 +A1,A2,A3,A4,A11  
IEC 60825-1: 1993 +A1/EN60825-1: 1994 +A11 Class 1 (LED)  
GB4943-1995

**EMC:** CISPR 22: 1997 / EN 55022: 1998 Class B [1]  
CISPR 24:1997 / EN 55024: 1998

IEC 61000-3-2:1995 / EN 61000-3-2:1995 +A1: 1998 +A2: 1998  
IEC 61000-3-3:1994 / EN 61000-3-3:1995  
GB9254-1988  
FCC Title 47 CFR, Part 15 Class B/ANSI C63.4: 1992  
AS/NZS 3548: 1995 Rules and Regulations of Class

**Telecom:** TBR 21: 1998, EG 201 121: 1998

**Supplementary Information:** The product herewith complies with the requirements of the Low Voltage Directive 73/23/EEC and the EMC Directive 89/336/EEC, amended by 92/31/EEC & 93/68/EEC, and the R&TTE Directive 1999/5/EC (Annex II) and carries the CE marking accordingly.

[1] The product was tested in a typical configuration with Hewlett-Packard Personal Computer peripherals.

This device complies with Part 15 of the FCC Rules. Operation is subject to the following two conditions: (1) this device may not cause harmful interference, and (2) this device must accept any interference received, including interference that may cause undesired operation.

The HP F1454A and F1781A ac/dc adapter used with this product is designed to operate on all power systems, other than IT power systems.

Corvallis, OR, July 1, 2001



  
Jerry Erickson, R&D Product Execution Manager

European Contact for regulatory topics only: Hewlett Packard GmbH, HQ-TRE, Herrenberger Straße 130, 71034 Boeblingen, Germany. Fax: +49 7031 143143).  
USA Contact: Hewlett Packard Co., Corporate Product Regulations Manager, 3000 Hanover Street, Palo Alto, CA 94304, U.S.A. Phone: +1 (415) 857-1501.

# Index

- A
  - AC adapter
    - connecting, 17
    - location, 13
- B
  - battery
    - installing, 16
    - latch location, 14
    - location, 14
    - low power warning, 33
    - recharging, 16
    - safety, 62
    - status, 32
    - status light, 15
    - troubleshooting, 52
  - BIOS
    - updating, 42
- C
  - Caps lock status light, 15
  - CD-ROM drive
    - access light, 15
    - location, 11
  - click buttons
    - location, 11
    - using, 25
  - computer
    - testing, 54
  - copyrights, 2
- D
  - diagnostics, 54
  - display
    - troubleshooting, 50
  - drivers
    - updating, 42
  - DVD drive
    - access light, 15
    - location, 11
- E
  - e-Diagtools for Windows, 54, 55
  - eject button, PC cards, 13
  - ergonomics, 26
- F
  - F10 (diagnostics), 54
  - factory installation, 56
- files
  - recovering, 56
- floppy disk drive
  - access light, 15
  - location, 13
- Fn key, 24
- H
  - hard disk drive
    - access light, 15
    - location, 14
    - troubleshooting, 50
  - hardware
    - testing, 54
  - headphone jack location, 12
  - hibernate mode
    - entering, 31
    - low battery, 33
    - power status light, 19
    - resuming from, 31
    - when used, 31
  - hot keys, 24
  - HP Customer Care
    - telephone numbers, 44
  - HP notebook web site, 42
  - HP Notes, 10
- I
  - installing original software, 56
  - inventory, 10
- K
  - Kensington lock
    - location, 13
  - keyboard
    - troubleshooting, 51
- L
  - LAN
    - port location, 11
  - laser safety, 63
  - latch location, 12
- M
  - memory
    - installing, 36
    - removing, 37
  - microphone
    - jack location, 13
    - location, 11
- modem
  - built-in, 18
  - port location, 11
- mouse
  - troubleshooting, 51
- multimedia buttons
  - location, 12
- N
  - Num lock
    - status light, 15
- O
  - One-Touch buttons
    - location, 11
- P
  - Pad Lock button location, 11
  - parallel port
    - location, 13
  - PC card
    - slot location, 13
  - phone line, connecting, 18
  - plug requirements, 61
  - pointing device
    - location, 11
    - using, 25
  - power
    - connecting AC, 17
    - standby, 30
    - status light, 15
    - troubleshooting, 52
  - power cords, 61
  - power management
    - manual, 30
  - power switch
    - location, 11
  - PS/2
    - port location, 13
- Q
  - Quick Start* sheet, 10
- R
  - RAM
    - installing, 36
    - removing, 37
  - recovering
    - hard disk, 56
    - original software, 56

- Recovery CD
  - diagnostics, 55
  - using, 56
- Reference Guide* (electronic), 10
- registering computer, 20
- regulatory information, 64
- reinstalling Windows, 56
- repair
  - service, 46
  - shipment, 47
  - under warranty, 46
- resetting computer, 21
- S
- safety
  - battery, 62
  - laser, 63
  - power, 61
  - voltage, 61
- scroll lock
  - status light, 15
- scroll toggle
  - location, 11
  - using, 25
- security connector
  - location, 13
- serial port
  - location, 13
- setting up, 16
- shutting down, 30
- software
  - pre-installed, 10
  - updates, 42
- standby button
  - location, 11
- standby mode
  - entering, 30
  - power status light, 19
  - resuming from, 30
  - when used, 30
- startup, troubleshooting, 53
- status lights
  - battery, 32
  - location, 11, 15
  - power, 19
- status panel
  - location, 12
- Support Ticket, 55
- system-off button
  - location, 13
  - resetting, 21
- T
- technical support, 42
- testing hardware, 54
- touch pad
  - location, 11
  - troubleshooting, 51
  - using, 25
- troubleshooting
  - battery, 52
  - display, 50
  - hard disk drive, 50
  - keyboard, 51
  - mouse, 51
  - power, 52
  - startup, 53
  - touch pad, 51
- TV port
  - location, 13
- U
- USB
  - port location, 13
- V
- VGA port location, 13
- voltage requirements, 61
- W
- web site
  - HP notebook, 42
- Windows
  - manual, 10
  - reinstalling, 56
  - setting up, 19
- work environment, 26
- working in comfort, 26